

Possible Alternator Mounting Bracket Contact
– Replace Front Auxiliary Drive Belt –
Service Action S490

MODEL
2000-01 MY XK Range
2000-01 MY V8 XJ Series
VIN
A09079-A11699
F17035-F22053

Remove and destroy Bulletin 303-S490, dated 11/00.
Replace with this Bulletin.
Revisions are marked with a bar and in **bold text**.

Issue:

A concern has been identified whereby vehicles within the above VIN ranges may be equipped with a front auxiliary drive belt that is prone to slipping rearwards and coming into contact with the alternator mounting bracket.

The faulty drive belts can be identified by having one of the following date codes, **31-4140ET** or **331-4140ET**.

Action:

Check all XK and XJ vehicles (within the above VIN ranges) for the suspect drive belts and replace as necessary at the earliest opportunity.

CHECK DATE CODE & FIT NEW DRIVE BELT – NA VEHICLES

1. Open the hood and place protection covers over the fenders.
2. Rotate (if required) the crankshaft through normal engine running direction until the date code is visible on the drive belt (Illustration 1).

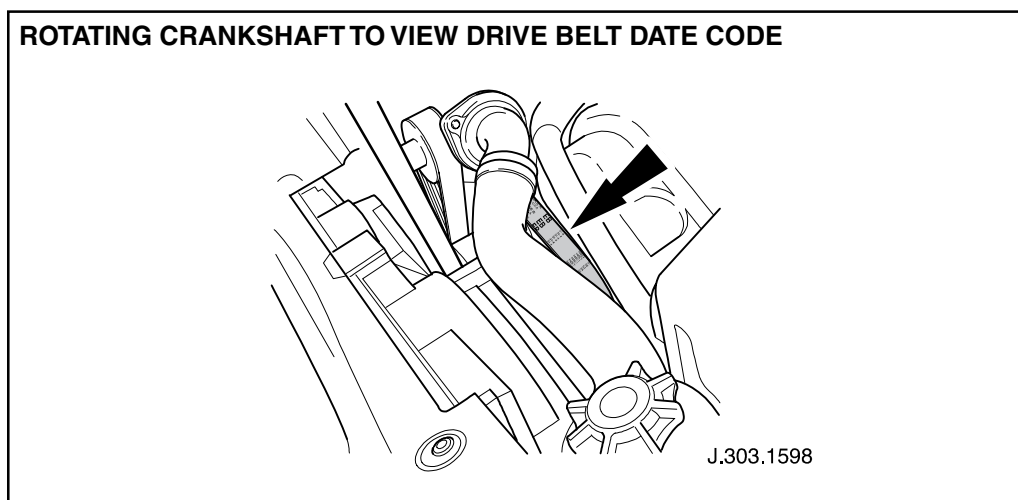


ILLUSTRATION 1

CHECKING DATE CODE ON DRIVE BELT

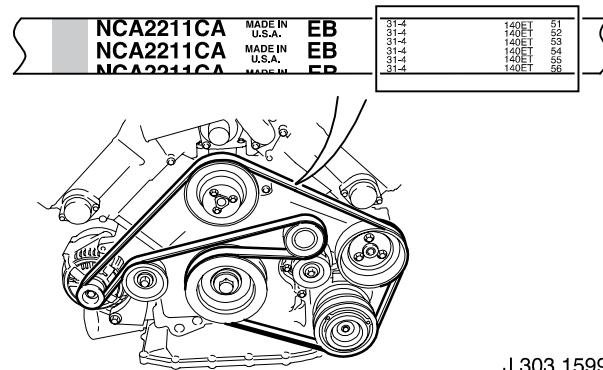


ILLUSTRATION 2

3. Note and record the date on the job card (Illustration 2). If the date code is safe, proceed to step 5.
4. If the date code is within the affected range (**31-4140ET** or **331-4140ET**), **replace** the front auxiliary drive belt. (See Workshop Manual, JTIS CD ROM - Section 303-05, SRO 12.10.40). (If SRO is not found, refer to 1998 MY.)
5. Remove fender protection covers and close hood.

CHECK DATE CODE & FIT NEW DRIVE BELT – SC VEHICLES

1. Open the hood and place protection covers over the fenders.
2. Rotate (if required) the crankshaft through normal engine running direction until the date code is visible on the drive belt (Illustration 1).
3. Note and record the date on the job card (Illustration 2). If the date code is safe, proceed to step 7.
4. If the date code is within the affected range (**31-4140ET** or **331-4140ET**), **remove** supercharger drive belt for access. (See Workshop Manual, JTIS CD ROM - Section 303-12, SRO 18.50.08).
5. Replace the front auxiliary drive belt. (See Workshop Manual, JTIS CD ROM - Section 303-05, SRO 12.10.40). (If SRO is not found, refer to 1998 MY.)
6. Reinstall supercharger drive belt. (See Workshop Manual, JTIS CD ROM - Section 303-12, SRO 18.50.08)
7. Remove fender protection covers and close hood.

Parts Information:

<u>DESCRIPTION</u>	<u>PART NUMBER</u>	<u>QTY</u>
Drive Belt	NCA 2211CA	1

Warranty Information:

Service Action S490

<u>VEHICLE</u>	<u>SUMMARY CODE</u>	<u>R.O. NUMBER</u>	<u>DESCRIPTION ALLOWANCE</u>	<u>TIME</u>
XK 2000-01 MY VIN A09079- A11699 Model code 2830, 2840, 2930, 2940 V8 XJ Series	LK	12.92.01	Check drive belt only -without drive-in/out time (performed with another repair.)	0.10 hrs.
2000-01 MY VIN F17035- F22053 Model code 2811, 2851, 2853, 2914, 2953				
XK 2000-01 MY VIN A09079- A11699 Model code 2830, 2840, 2930, 2940 V8 XJ Series	LL	12.92.01 10.10.10	Check drive belt only -with drive-in/out time (only repair performed)	0.10 hrs. 0.15 hrs.
2000-01 MY VIN F17035- F22053 Model code 2811, 2851, 2853, 2914, 2953				

XK	LN	12.92.02	Check & replace drive belt-NA	0.20 hrs.
2000-01 MY		12.92.02	Check & replace drive belt-SC	0.45 hrs.
VIN A09079- A11699			-without drive-in/out time (performed with another repair.)	
Model code 2830, 2840, 2930, 2940				
V8 XJ Series				
2000-01 MY				
VIN F17035- F22053				
Model code 2811, 2851, 2853, 2914, 2953				

XK	LP	12.92.02	Check & replace drive belt-NA	0.20 hrs.
2000-01 MY		12.92.02	Check & replace drive belt-SC	0.45 hrs.
VIN A09079- A11699		10.10.10	-with drive-in/out time (only repair performed)	0.15 hrs.
Model code 2830, 2840, 2930, 2940				
V8 XJ Series				
2000-01 MY				
VIN F17035- F22053				
Model code 2811, 2851, 2853, 2914, 2953				

NOTE: Always perform a DCS claim search first to determine whether this service action has been performed on this vehicle. The warranty selection under the vehicle inquiry will give a listing of all claims against the vehicle. If S490 appears in the fault code field, do not perform this service action.

CLAIM SUBMISSION PROCEDURE:

Warranty summary codes have been assigned to this service action in order to simplify claim submission. The dealership will be reimbursed the parts and labor time allowance as indicated.

DCS DEALERS

Submit claims using the appropriate summary code for the vehicle model and work performed. Follow standard campaign submission procedures.

NON-DCS DEALERS

Submit claims on the Recall Campaign Summary form W-25. Enter the appropriate summary code for the vehicle model and work performed in the Repair Code column. Do not use the W-1 warranty claim form.

