

TECHNICAL BULLETIN



Heated Windshield Washer (Screenwash) Jets – Ambient Temperature Sensor Added – Service Action S447

MODEL XJS Range 1994 - 1995 MY DATE 12/94

84-12
Amended
1/95

VIN 188105 - 196046

Remove and destroy Bulletin 84-12, Date 12/94. Replace with this Amended Bulletin. New information is in bold faced type and marked with a bar.

ISSUE:

Heated windshield washer jets may cause distortion of the washer jet housings or the plenum grille during prolonged use.. An ambient temperature sensor was added to the system in production at VIN 196047.

NOTE: This Service Action is to be implemented with Service Action S448 described in Service Bulletin 76-96.

ACTION:

At the next service opportunity on all 1994 - 1995 MY XJS vehicles from VIN 188105 - 196046, perform the service action as described below.

AMBIENT TEMPERATURE SENSOR INSTALLATION PROCEDURE:

1. Ensure that the radio code is available. Record all preset radio stations (including X-mem) and disconnect the negative cable of the battery.
2. Remove the windshield wiper motor/linkage assembly following the instructions in the XJS Service Manual section 84.15.12.
3. Cut the tie straps, remove and discard the washer jets and the washer jet link harness.
4. Fit the temperature sensor clip and chafing protection strip to the wiper motor/linkage assembly frame (Illustration 1).
5. Route the new washer jet link harness and fully seat the temperature sensor under the clip.

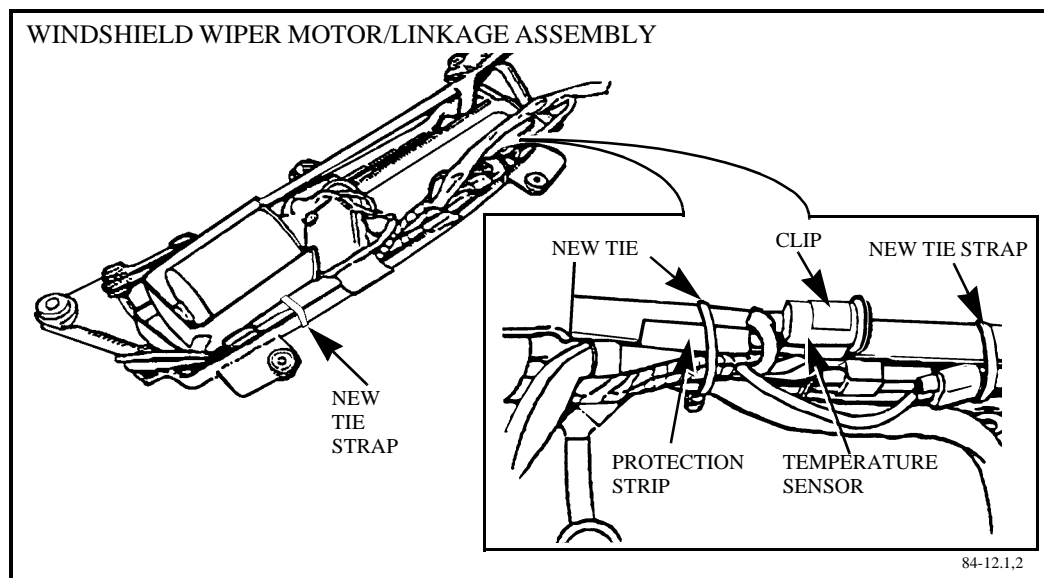


ILLUSTRATION 1

6. Fit new washer jet assemblies, connecting them to the washer fluid lines and the link harness.
7. Connect the link harness to the wiper harness multi plug and fit the “blanking plug” to the open connector of the link harness (red and black wires).
8. Position the washer jets with the link harness and washer fluid lines in the frame channels.
9. Use three tie straps, in the positions indicated in Illustration 1, to secure the washer fluid lines and link harness.

IMPORTANT: Ensure that the washer fluid lines are not pinched. Ensure that the washer lines and link harness cannot chafe on the edges of the wiper motor frame channels.

10. Install the wiper motor/assembly frame, plenum grille and wipers.
11. Connect the battery, recode the radio and reset the radio stations and clock.
12. Check the operation of the wipers and washers.

PARTS INFORMATION;

<u>DESCRIPTION</u>	<u>PART NUMBER</u>	<u>QTY</u>
Heated washer jet	LHE 7096AA/K	2
Temperature sensor link lead	LHF 3005BA/K	1
Harness tie strap	ADU 9028	3
Protection strip	DAC 4027/8	1
Clip	JEP 117001	1

WARRANTY INFORMATION:

Service Action S447

<u>VEHICLE</u>	<u>SUMMARY CODE</u>	<u>DESCRIPTION</u>	<u>TIME ALLOWANCE</u>
XJS Range 1994 - 95 MY VIN 188105 - 196046	ER	Fit temperature sensor link lead and heated washer jets - (No drive in/out time. To be performed concurrently with Service Action S448 or at time of other service)	0.60 hrs.
XJS Range 1994 - 95 MY VIN 188105 - 196046	ES	Fit temperature sensor link lead and heated washer jets - (Only repair performed / with drive in/out time)	0.75 hrs.

CLAIM SUBMISSION PROCEDURE:

A warranty summary code has been assigned to this service action in order to simplify claim submission. The dealership will be reimbursed the labor time allowance and parts as indicated.

DCS Dealers

Submit claims using the appropriate summary code for the vehicle model and work performed. Follow standard campaign submission procedures.

Non-DCS Dealers

Submit claims on the Recall Campaign Summary form W-25. Enter the appropriate summary code for the vehicle model and work performed in the Repair Code column. Do not use the W-1 warranty claim form.