

SERVICE

TECHNICAL BULLETIN

**Exterior Door Handle Stiff/Binding –
Latch/Door Handle Mechanism –
Lubricate Mechanism**

MODEL 2004 MY-ON
XJ range
VIN G00001-ON

Issue:

Some 2004 MY-ON XJ range vehicles may exhibit an exterior door handle that is stiff, binds or squeaks when opening the door.

This concern can be rectified by applying specified lubricant from the Squeaks and Rattles Repair Kit.

Action:

In case of a customer concern, apply lubricant to the door latch and door handle mechanism as outlined below.

Note: Use the grease (Carbaflo KSP205) and oil (Carbaflo KSP105) from the Squeaks and Rattles Repair Kit (JLM 21204). For replacement of oil and grease for the Squeaks and Rattles Repair Kit order JLM 21206.

1. Open the affected door(s).
2. Clean latch mechanism and apply a small amount of grease (KSP205) to the latch rotor (arrowed in Illustration 1).

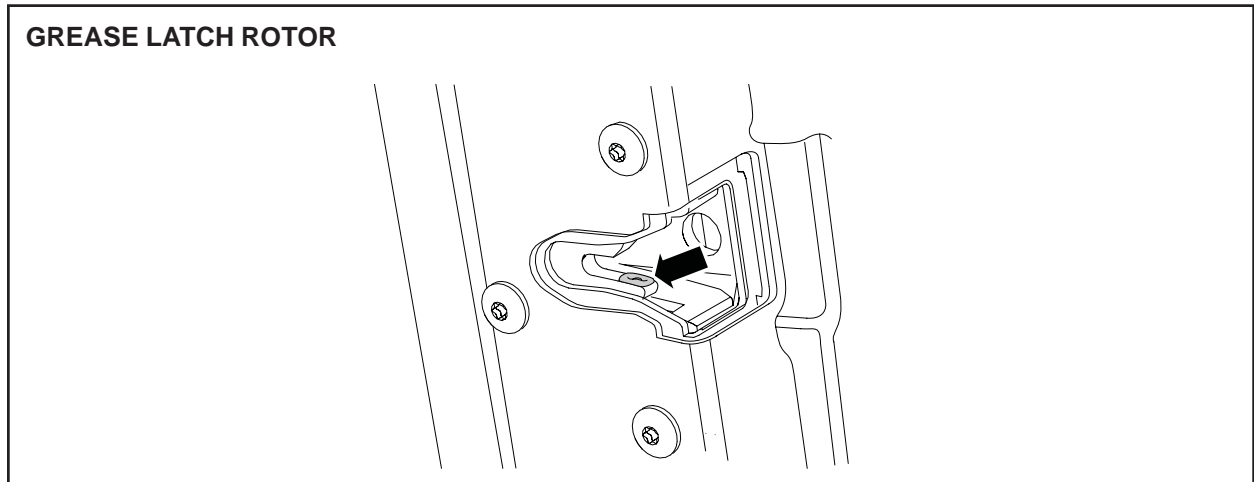


ILLUSTRATION 1

NOTE: THE INFORMATION IN TECHNICAL BULLETINS IS INTENDED FOR USE BY TRAINED, PROFESSIONAL TECHNICIANS WITH THE KNOWLEDGE, TOOLS, AND EQUIPMENT TO DO THE JOB PROPERLY AND SAFELY. IT INFORMS THESE TECHNICIANS OF CONDITIONS THAT MAY OCCUR ON SOME VEHICLES, OR PROVIDES INFORMATION THAT COULD ASSIST IN PROPER VEHICLE SERVICE. THE PROCEDURES SHOULD NOT BE PERFORMED BY "DO-IT-YOURSELFERS." DO NOT ASSUME THAT A CONDITION DESCRIBED AFFECTS YOUR CAR. CONTACT A JAGUAR DEALER TO DETERMINE WHETHER THE BULLETIN APPLIES TO YOUR VEHICLE.

3. Hold the exterior door handle open and rotate the latch rotor to the closed position, release the handle and rotate the latch rotor to ensure the grease contacts the latch pawl (Illustration 2).

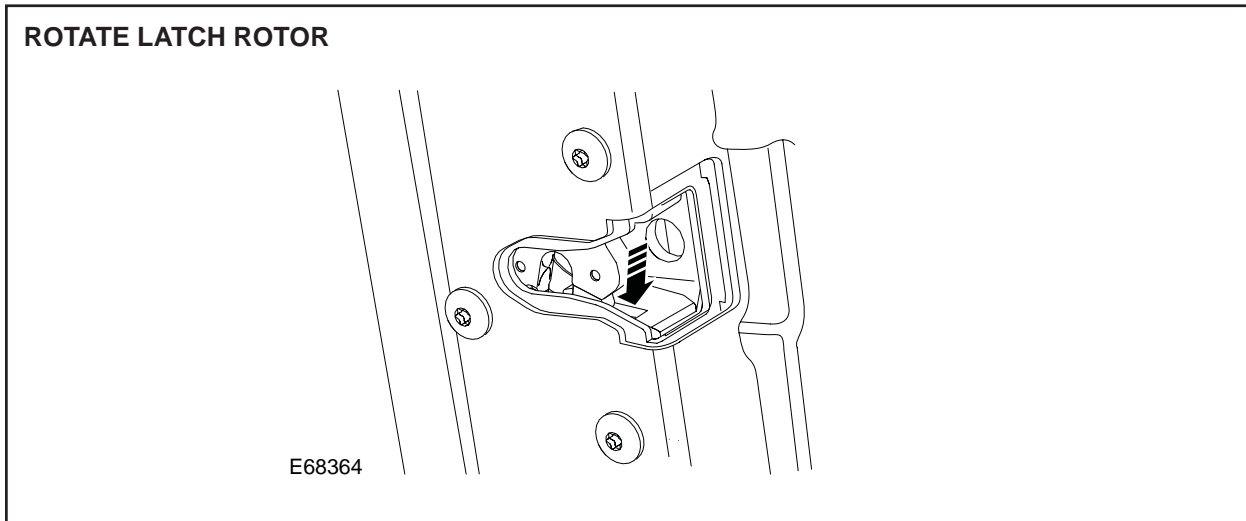


ILLUSTRATION 2

4. Pull the exterior/interior door handle to open the latch.
5. Fully open the exterior door handle, clean handle and black plastic surfaces and apply a small amount of oil (KSP105) to all surfaces (arrowed in illustration 3).

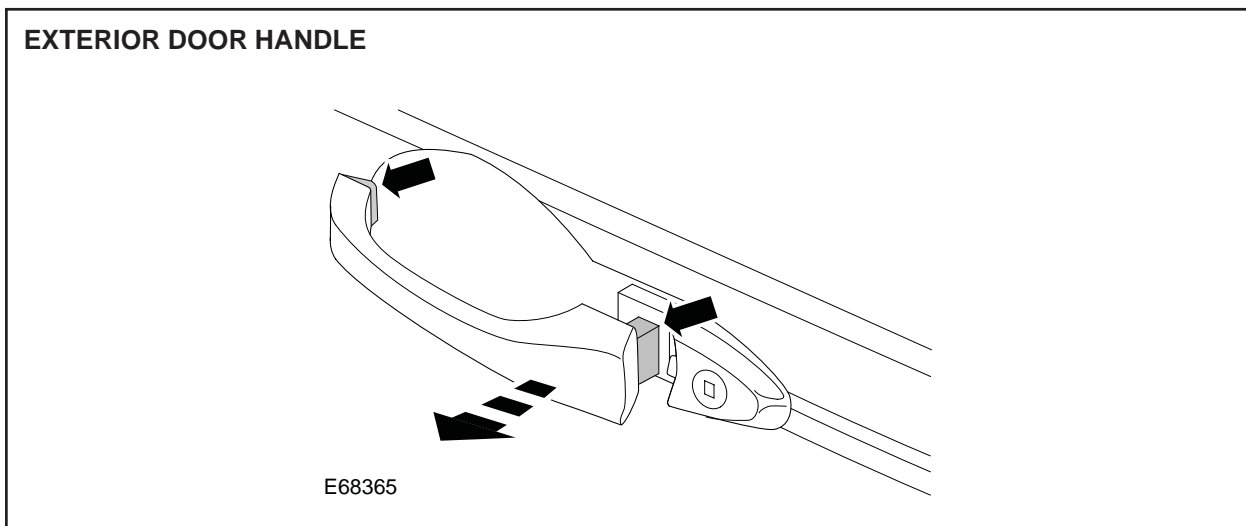


ILLUSTRATION 3

6. Close and open the door to check operation.
7. Remove excess grease from the striker.
8. Carry out steps 2 to 7 for the remaining doors.

Global Technical Reference (GTR) Workshop Manual Information:

Dealer access: <https://hub.franchise.jaguar.com>

Internet access: <http://www.jaguartechno.com>

Parts Information:

<u>DESCRIPTION</u>	<u>PART NUMBER</u>	<u>QTY</u>
N/A	-	-

Warranty Information:

Warranty claims should be submitted quoting the information found in the table below. This will result in payment of the stated time and, where applicable parts/miscellaneous expense codes as listed.

Description	SRO	Time	Causal Part Number
Apply grease to door handle and latch	76.94.98	0.2 hrs.	C2C 18936

Note: Repair procedures are under constant review, and therefore repair times are subject to change. The times quoted here must be taken as guidance only. Always refer to DDW to obtain the latest repair time.