 **WARNING: THIS PUBLICATION IS INTENDED FOR USE BY PROFESSIONAL TECHNICIANS WITH KNOWLEDGE OF JAGUAR VEHICLE SYSTEMS. ALL NECESSARY SAFETY PRECAUTIONS MUST BE TAKEN WHEN SERVICING OR HANDLING COMPONENTS AND SYSTEMS THAT HAVE THE POTENTIAL FOR CAUSING BODILY INJURY OR DEATH.**

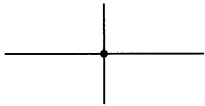



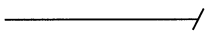

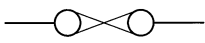
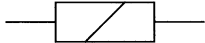



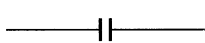



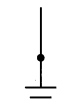


Publication number S-72 / 92

© 1991 Jaguar Cars Inc.

All rights reserved. All material contained herein is based on the latest information available at the time of publication. The right is reserved to make changes at any time without notice.

DESCRIPTION	FIGURE
BATTERY POWER DISTRIBUTION	1
IGNITION SWITCHED POWER DISTRIBUTION	2
STARTER; ALTERNATOR	3
HEADLIGHTS; FOG LIGHTS	4
SIDE LIGHTS; TAIL LIGHTS	5
TURN SIGNALS; HAZARD WARNING LIGHTS; STOP LIGHTS	6
INTERIOR LIGHTING; TRUNK LIGHTING	7
INSTRUMENT LIGHTING; LOCATE LIGHTING	8
INSTRUMENT PACK	9
TRIP COMPUTER	10
AUDIBLE WARNINGS	11
CENTRAL LOCKING	12
POWERED WINDOWS	13
HORNS; CIGAR LIGHTERS; TRANSMISSION KICKDOWN	14
POWERED SEAT — DRIVER; POWERED MIRRORS	15
POWERED SEAT — PASSENGER	16
SEAT HEATERS	17
HEATED REAR WINDOW; MIRROR HEATERS	18
WINDSHIELD WIPERS; WINDSHIELD AND HEADLIGHT WASHERS	19
ANTI-LOCK BRAKING	20
CRUISE CONTROL	21
IN-CAR ENTERTAINMENT	22
CLIMATE CONTROL	23
COOLING FAN	24
ENGINE MANAGEMENT — ELECTRONIC FUEL INJECTION	25
ENGINE MANAGEMENT — HOT START; IDLE STABILIZATION	26
ENGINE MANAGEMENT — DIGITAL IGNITION	27
CONVERTIBLE TOP	28
SECURITY SYSTEM	29

WIRING SYMBOLS

	LINE SPLICE		SUPPRESSION RESISTOR
	WIRE CONNECTOR [MALE / FEMALE]		THERMISTOR
	WIRE CONTINUED		POTENTIOMETER
	FUSE		SOLENOID
	DIODE		MOTOR
	DIODE IN HARNESS		CAPACITOR
	ZENER DIODE		BULB
	LIGHT EMITTING DIODE		POWER GROUND
	RESISTOR		TRANSISTOR

WIRING COLOR CODES

N	Brown	Y	Yellow
B	Black	O	Orange
W	White	S	Slate
K	Pink	L	Light
G	Green	U	Blue
R	Red	P	Purple

When a wire has two or more color code letters, the first letter indicates the main color and the subsequent letter(s) indicate the tracer color(s).

WIRING HARNESS CODES

CODE	DESCRIPTION	CODE	DESCRIPTION
AB	ABS harness	HL	High level stop light harness
AL	Alternator harness	IH	Ignition harness
AS	Anti-stall harness	LB	Bulkhead harness (left-hand drive)
BL	Boot lid harness	LF	Left forward harness
BN	Binnacle harness	LI	Lucas injection harness
CC	Cruise control harness	PD	Passenger's door harness
CH	Console harness	PS	Passenger's seat harness
CS	Column switch gear harness	RC	Rear courtesy light harness
DD	Driver's door harness	RF	Right forward harness
DS	Driver's seat harness	RH	Rearward harness
EH	Engine harness	SAC	Air conditioning harness
EM	Engine management harness	SB	Seat belt harness
FC	Fuel control timer harness (45 sec. timer)	SC	Security system harness
FP	Fuel pump harness	SM	Driver's seat ECU harness
GH	Gearbox harness	SN	Passenger's seat control harness
GS	Gear select harness	SS	Steering column switch gear harness
HH	Hood harness (convertible top)	ST	Starter motor harness

CONNECTOR CODES

HARNESS CODE + CONNECTOR NUMBER + PIN NUMBER

EXAMPLE: LB13-24 (pin number is separated by a dash)

Note: Absence of a dash and a pin number indicates a single wire connector.

SPLICE CODES

HARNESS CODE + S + IDENTIFICATION NUMBER

EXAMPLE: LBS3 (no dash is used)

GROUND CODES

HARNESS CODE + G + IDENTIFICATION NUMBER

EXAMPLE: LBG78 (no dash is used)

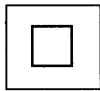
DIODE CODES

HARNESS CODE + D + IDENTIFICATION NUMBER

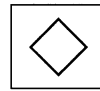
EXAMPLE: LBD5 (no dash is used)

REFERENCE SYMBOLS

The two reference symbols are used to indicate the remainder of the circuit (feed and ground) and refer the reader to one of the two figures.

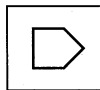


DIRECT BATTERY POWER (FIG 1)



IGNITION SWITCHED POWER (FIG 2)

REFERENCE FLAGS



REFERENCE FLAG

This reference code directs the reader to a figure number only. It does not refer to a flag with the same number on a different figure.

As used in figure 1 and 2, the FLAG refers to a figure number where the circuit is continued. In this instance, the reader matches the BOX or DIAMOND numbers to trace the circuit.

In most other cases, it is not necessary to refer to another figure for completion of a circuit. The FLAGS are used to indicate parallel circuits and circuits which share components. Most of the circuits where this situation occurs are overlapped to avoid the necessity for cross referencing to another figure.

DATA PAGES

Every wiring diagram has a corresponding data page on the left hand side of the book. These aid the reader in identifying and locating components, connectors, and ground points. Additionally, where applicable, processor and logic unit INPUT / OUTPUT information is provided to aid the reader in understanding circuit operation. This information should not be used for diagnostic purposes.

COMPONENTS

DESCRIPTION	LOCATION	ACCESS
SEAT BELT LOGIC UNIT RELAY—SIDELIGHTS (LF10)	RIGHT COMPONENT PANEL LEFT FRONT COMPONENT PANEL	RIGHT DASH UNDER PANEL LEFT DASH UNDER PANEL

CONNECTORS

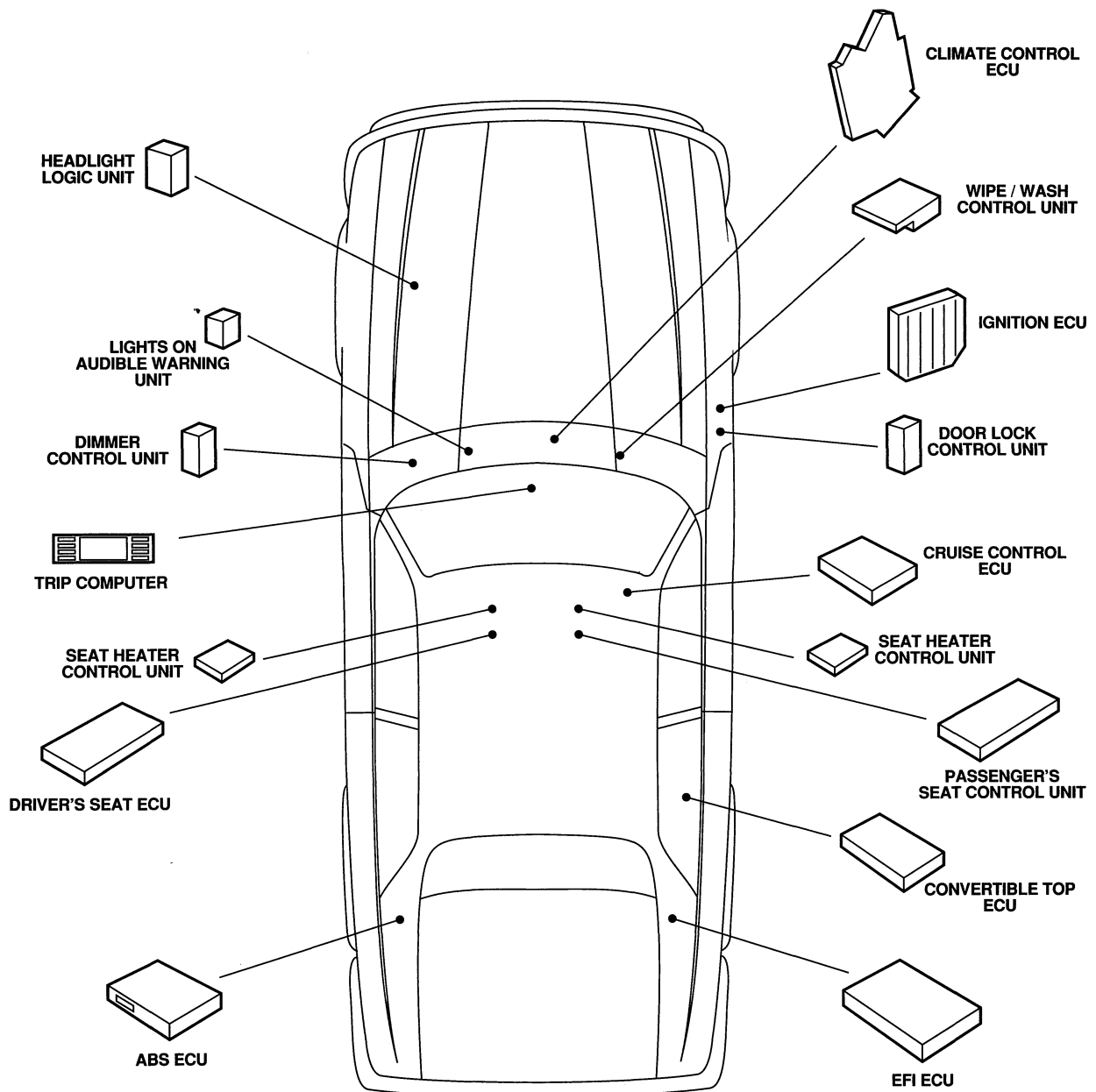
CODE	DESCRIPTION	LOCATION / INTERFACE
BN2	10-WAY SUMITOMO STD. (NATURAL)	BEHIND HAZARD LIGHT SWITCH / HAZARD/REAR WINDOW HEATER LOCATE ILLUMINATION
BN4	6-WAY SUMITOMO STD. (NATURAL)	BEHIND INTERIOR LIGHT SWITCH / INTERIOR SWITCH LOCATE ILLUMINATION

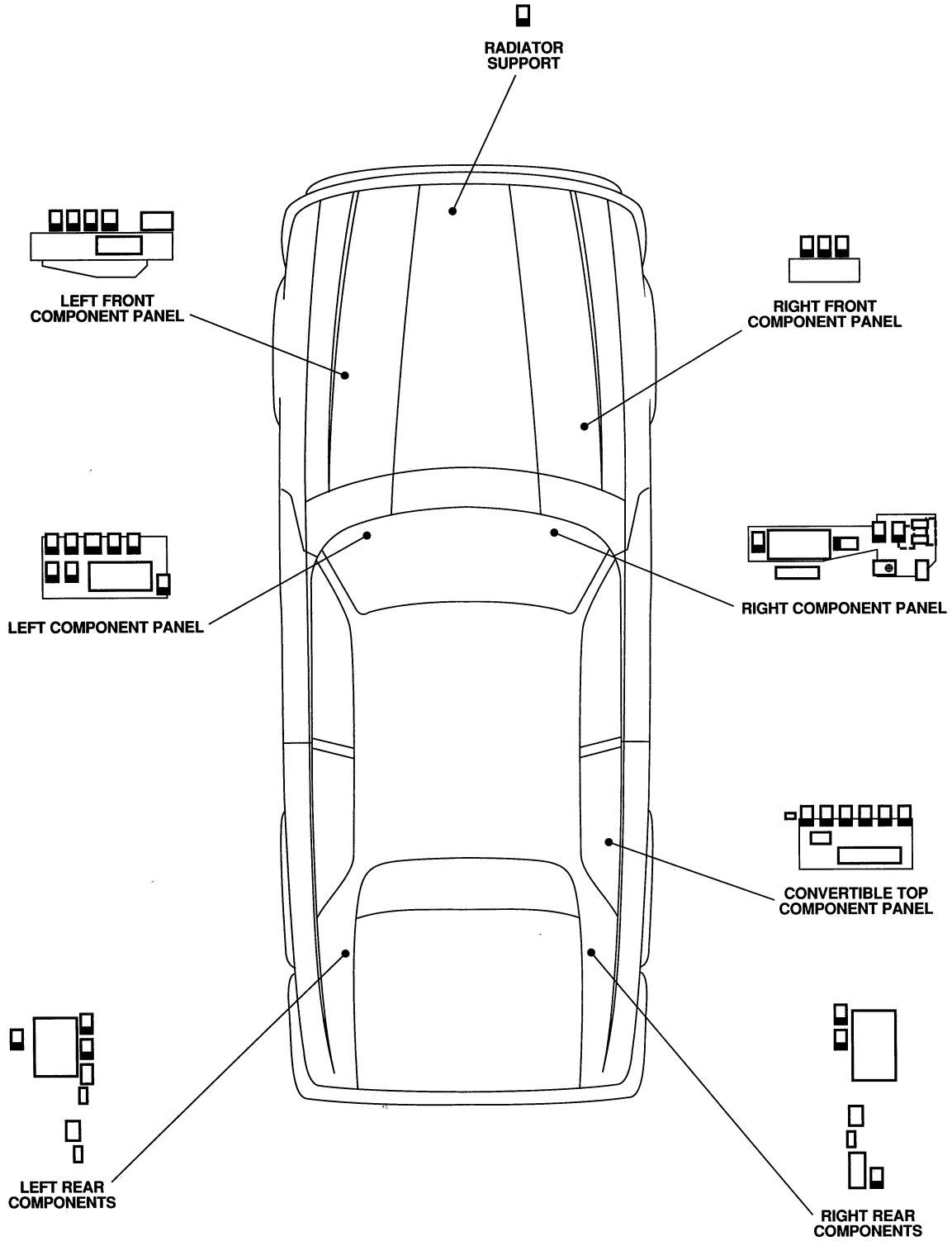
GROUND

CODE	DESCRIPTION	LOCATION / INTERFACE
LBG200	EYELET	LEFT 'A' POST FASCIA END PANEL / POWER GROUND
LBG201	EYELET	LEFT 'A' POST FASCIA END PANEL / POWER GROUND

INPUTS / OUTPUTS

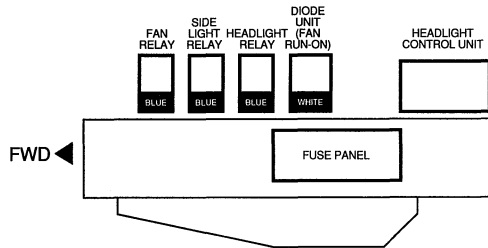
DIMMER CONTROL UNIT			ACTIVE	INACTIVE
CODE	IN / OUT	CIRCUIT	MAX: APPROX. 13V	MIN: APPROX. 6V
LB170-1	IN	LIGHTING DIMMER POTENTIOMETER	MAX: APPROX. 14V	MIN: APPROX. 6V
LB170-2	IN	LIGHTING DIMMER POTENTIOMETER		



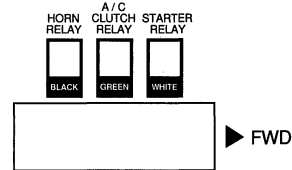




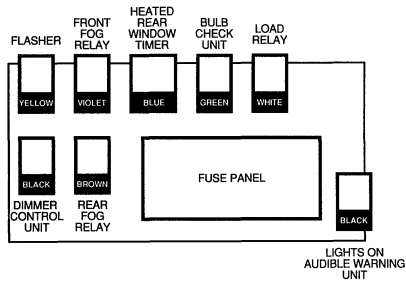
RADIATOR SUPPORT



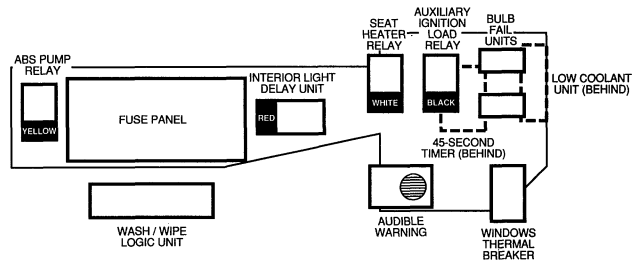
LEFT FRONT COMPONENT PANEL



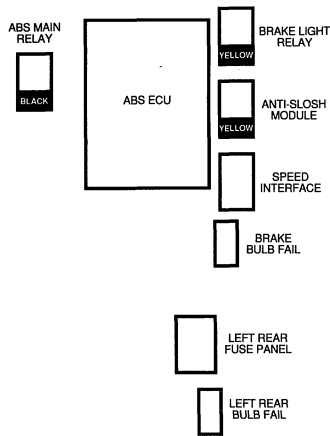
RIGHT FRONT COMPONENT PANEL



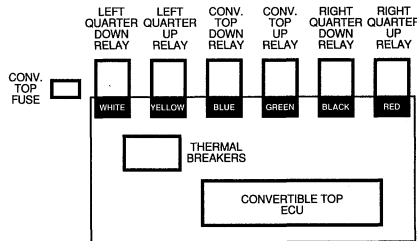
LEFT COMPONENT PANEL



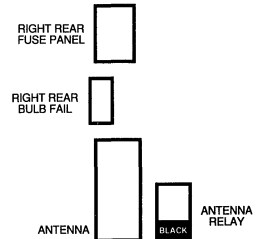
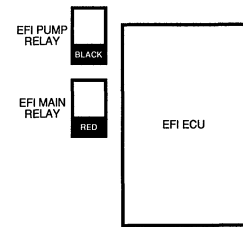
RIGHT COMPONENT PANEL



LEFT REAR COMPONENTS



CONVERTIBLE TOP COMPONENT PANEL



RIGHT REAR COMPONENTS

LEFT FUSE PANEL

Number	Color	Value	Circuit
1	Lt. Blue	15A	Driver's seat movement – fore, aft, lumbar
2	Violet	3A	Kick down
3	Yellow	20A	Left blower
4	Pink	4A	Telephone ignition power (optional); 45-second timer
5	Tan	5A	Telephone battery power (optional)
6	Tan	5A	Radio memory
7	Red	10A	Radio power
8	Red	10A	Windshield washer pump
9	Red	10A	Driver's seat heater
10	–	–	Not used
11	Red	10A	Trunk lighting
12	Yellow	20A	Driver's seat movement – recline
13	Violet	3A	Trip computer memory
14	Violet	3A	Power mirrors; door switch packs; seat memory
15	Pink	4A	Heated washer jets
16	Tan	5A	Reverse lights; trip computer
17	Tan	5A	Rear fog lights
18	Orange	7.5A	Locate lighting; instrument pack lighting
19	Red	10A	Hazard warning; seat belt warning logic
20	Lt. Blue	15A	Front fog lights
21	–	–	Not used
22	Lt. Blue	15A	Heated rear window; heated door mirrors

RIGHT FUSE PANEL

Number	Color	Value	Circuit
1	Yellow	20A	Passenger's seat movement – fore, aft, recline
2	Violet	3A	Cruise control
3	Yellow	20A	Right blower
4	Tan	5A	Interior lighting
5	Brown	7.5A	Turn signals
6	Red	10A	Central door locking
7	Red	10A	Cigar lighter
8	Lt. Blue	15A	Windshield wipers
9	Lt. Green	30A	Headlight power wash
10	Violet	3A	Solenoid vacuum valves
11	Lt. Green	30A	ABS main
12	Tan	5A	Passenger's seat movement – lumbar
13	Violet	3A	Left front side lights
14	Violet	3A	Right front side lights
15	Violet	3A	Climate control (ECU and control circuit); cooling fan run-on
16	Tan	5A	Air conditioning relay
17	Red	10A	Passenger's seat heater
18	Lt. Blue	15A	Horns
19	Lt. Blue	15A	Stop lights
20	Lt. Blue	15A	Not used
21	–	–	Not used
22	Lt. Green	30A	ABS pump

LEFT FRONT FUSE PANEL

Number	Color	Value	Circuit
1	–	–	Not used
2	–	–	Not used
3	–	–	Not used
4	–	–	Not used
5	Red	10A	Left headlight high beam
6	Red	10A	Right headlight high beam
7	Blue	15A	Cooling fan
8	Lt. Blue	15A	Not used
9	Brown	7.5A	Left headlight low beam
10	Brown	7.5A	Right headlight low beam
11	–	–	Not used
12	Violet	3A	Not used

LEFT REAR FUSE PANEL

Number	Color	Value	Circuit
1	Violet	3A	Left tail, left license plate lighting
2	Violet	3A	Not used
3	Violet	3A	Not used

RIGHT REAR FUSE PANEL

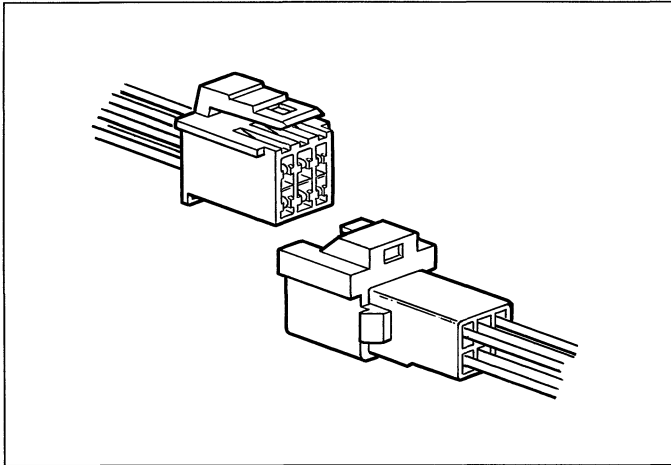
Number	Color	Value	Circuit
1	Violet	3A	Right tail, right license plate lighting
2	Red	10A	Antenna
3	Tan	5A	Not used

CONVERTIBLE TOP FUSE

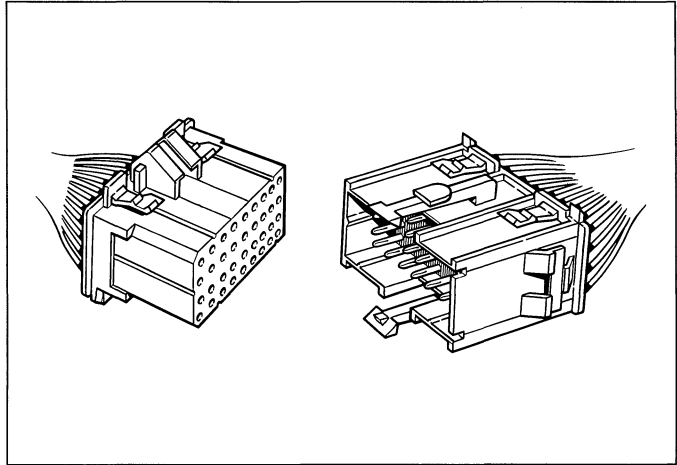
Number	Color	Value	Circuit
1	Lt. Green	30A	Convertible top

IN-LINE FUSES

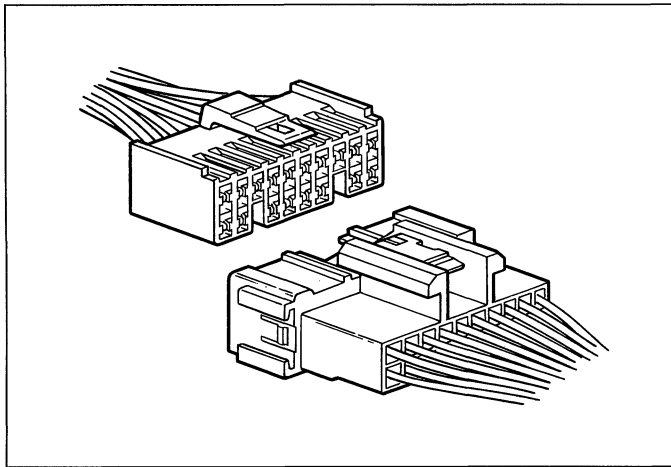
Color	Value	Circuit	Location
Tan	5A	EFI diagnostic	Passenger footwell cheek panel (diagnostic socket)
Violet	3A	Driver's lumbar motor	Driver's seat back
Violet	3A	Passenger's lumbar motor	Passenger's seat back



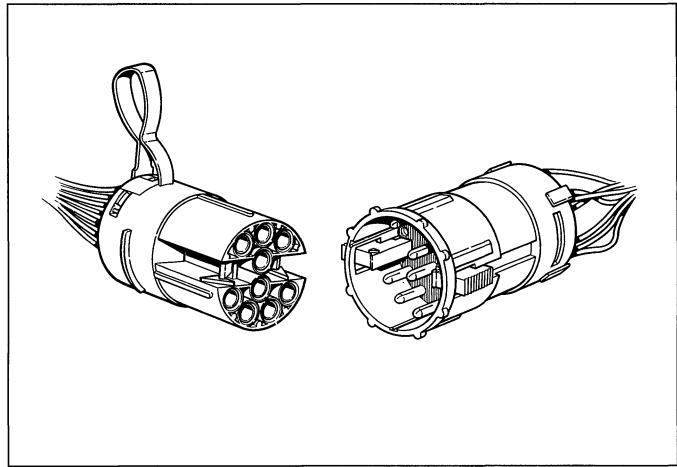
SUMITOMO STANDARD



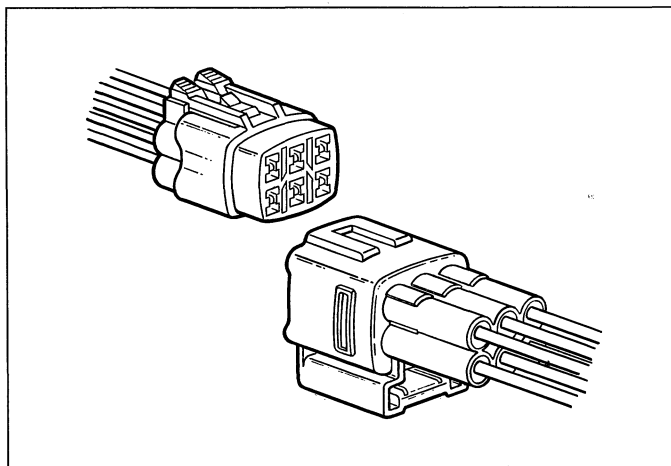
PM HD



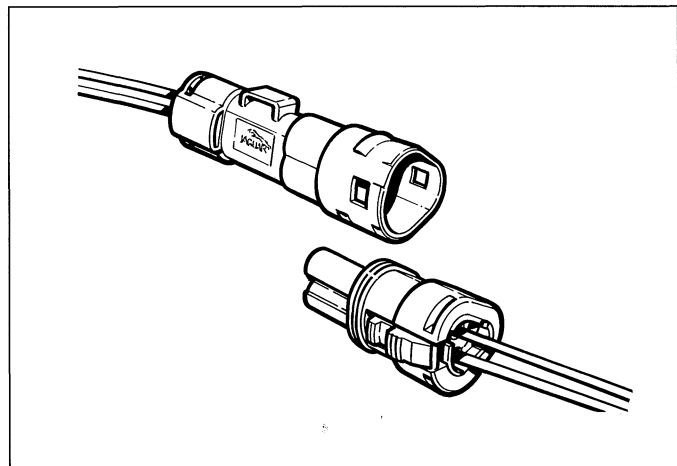
SUMITOMO BLOCK



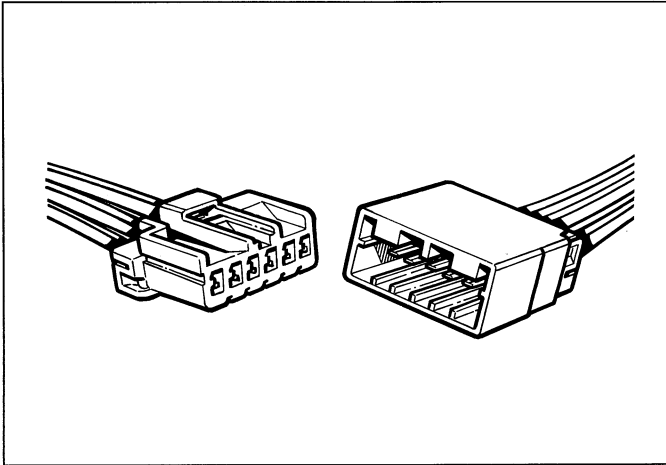
PM 4



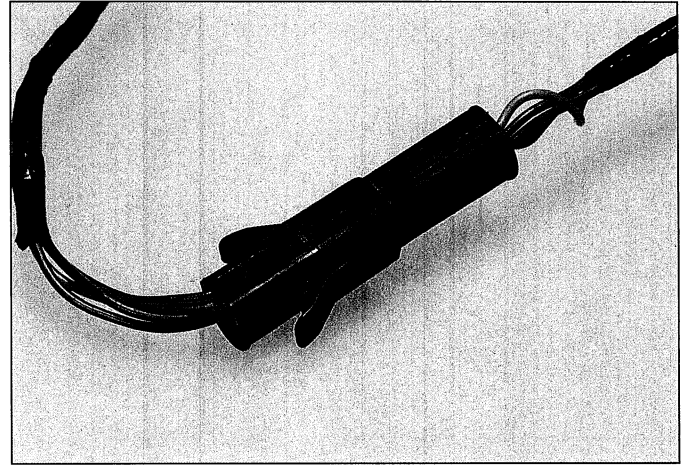
SUMITOMO SEALED



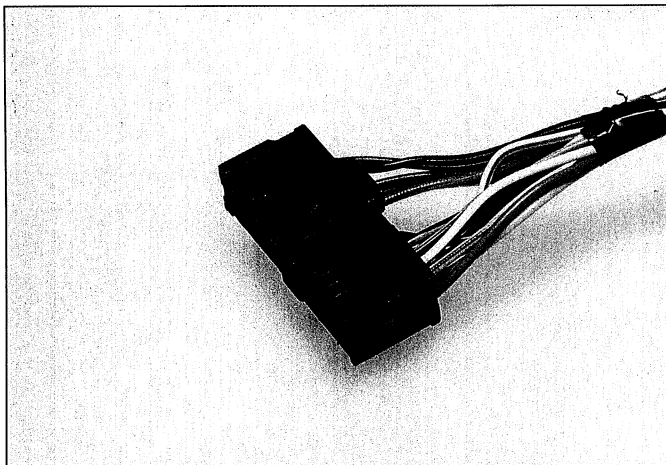
PM 5



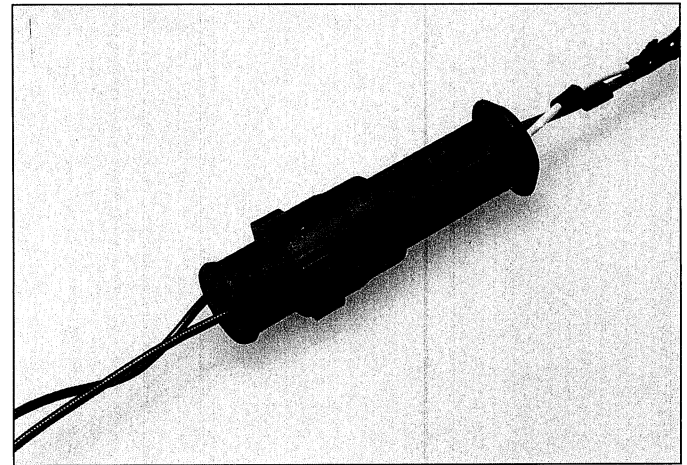
MULTILOCK



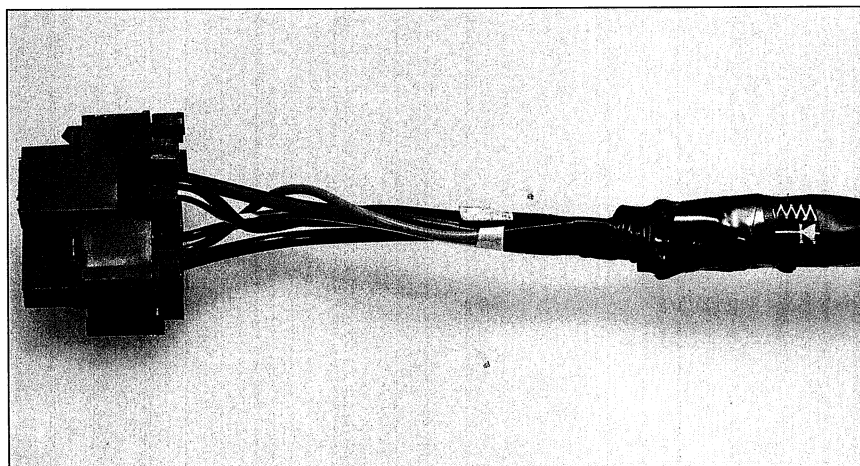
AMP



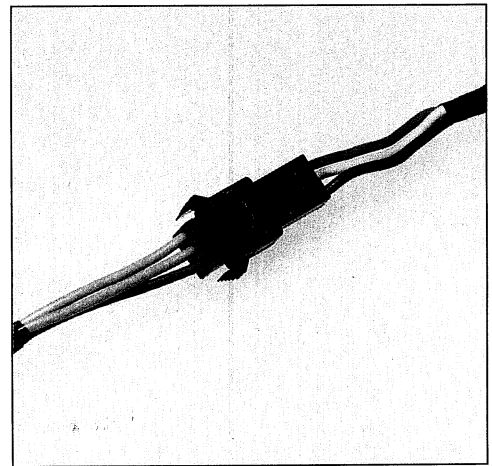
GROTE AND HARTMAN



ECONOSEAL



RELAY BASE WITH RESISTOR AND DIODE



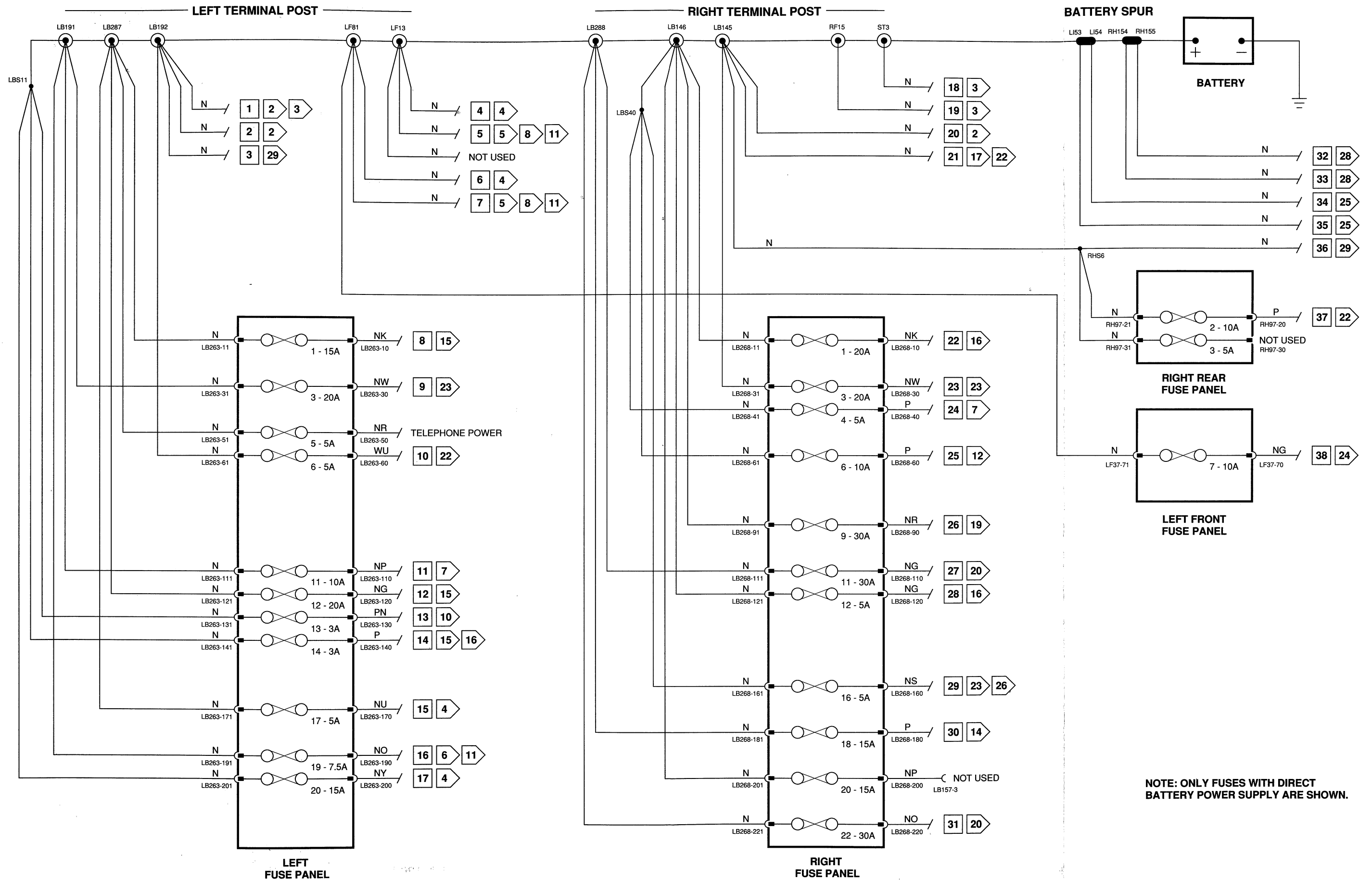
JST

COMPONENTS

DESCRIPTION	LOCATION	ACCESS
BATTERY	TRUNK	REMOVE TRIM
FUSE PANEL — LEFT	LEFT COMPONENT PANEL	LEFT DASH UNDER PANEL
FUSE PANEL — RIGHT	RIGHT COMPONENT PANEL	RIGHT DASH UNDER PANEL
FUSE PANEL — RIGHT REAR	TRUNK, RIGHT	RIGHT TRIM PANEL
FUSE PANEL — LEFT FRONT	LEFT FRONT COMPONENT PANEL	ENGINE COMPARTMENT, LEFT

CONNECTORS

CODE	DESCRIPTION	LOCATION / INTERFACE
LB145	EYELET	RIGHT BULKHEAD, BEHIND DASH / BATTERY POSITIVE STUD
LB146	EYELET	RIGHT BULKHEAD, BEHIND DASH / BATTERY POSITIVE STUD
LB191	EYELET	LEFT BULKHEAD, BEHIND DASH / BATTERY POSITIVE STUD
LB192	EYELET	LEFT BULKHEAD, BEHIND DASH / BATTERY POSITIVE STUD
LB263	22-WAY FUSE PANEL	DRIVER'S FOOTWELL / LEFT FUSE PANEL
LB268	22-WAY FUSE PANEL	PASSENGER'S FOOTWELL / RIGHT FUSE PANEL
LB287	EYELET	LEFT BULKHEAD, BEHIND DASH / BATTERY POSITIVE STUD
LB288	EYELET	RIGHT BULKHEAD, BEHIND DASH / BATTERY POSITIVE STUD
LF13	EYELET	LEFT BULKHEAD, ENGINE COMPARTMENT / BATTERY POSITIVE STUD
LF37	12-WAY FUSE PANEL	LEFT FRONT INNER FENDER / LEFT FRONT FUSE PANEL
LF81	EYELET	LEFT BULKHEAD, ENGINE COMPARTMENT / LF HARNESS
LI53	SPUR	TRUNK, BATTERY POSITIVE CABLE / ENGINE MANAGEMENT ECU
LI54	SPUR	TRUNK, BATTERY POSITIVE CABLE / ENGINE MANAGEMENT ECU
RF15	EYELET	RIGHT BULKHEAD, ENGINE COMPARTMENT / ALTERNATOR
RH97	3-WAY FUSE PANEL	RIGHT REAR FUSE PANEL / POWER ANTENNA
RH154	SPUR	TRUNK, BATTERY POSITIVE CABLE / CONVERTIBLE TOP
RH155	SPUR	TRUNK, BATTERY POSITIVE CABLE / CONVERTIBLE TOP
ST3	EYELET	RIGHT BULKHEAD, ENGINE COMPARTMENT / STARTER SOLENOID



COMPONENTS

DESCRIPTION

FUSE PANEL — LEFT
 FUSE PANEL — RIGHT
 IGNITION SWITCH
 INERTIA SWITCH
 RELAY — AUXILIARY LOAD (LB139)
 RELAY — LOAD (LB175)

LOCATION

LEFT COMPONENT PANEL
 RIGHT COMPONENT PANEL
 STEERING COLUMN, RIGHT
 RIGHT 'A' POST
 RIGHT COMPONENT PANEL
 LEFT COMPONENT PANEL

ACCESS

LEFT DASH UNDER PANEL
 RIGHT DASH UNDER PANEL
 REMOVE STEERING COLUMN TRIM
 TRIM COVER
 RIGHT DASH UNDER PANEL
 LEFT DASH UNDER PANEL

CONNECTORS

CODE

LB139
 LB175
 LB202
 LB212
 LB263
 LB268

DESCRIPTION

RELAY BASE (BLACK)
 RELAY BASE (WHITE)
 6-WAY PM 4 (BLACK)
 3-WAY PM 4 (NATURAL)
 22-WAY FUSE PANEL
 22-WAY FUSE PANEL

LOCATION / INTERFACE

RIGHT COMPONENT PANEL / AUX. LOAD RELAY
 LEFT COMPONENT PANEL / LOAD RELAY
 STEERING COLUMN / IGNITION SWITCH
 RIGHT 'A' POST / INERTIA SWITCH
 DRIVER'S FOOTWELL / LEFT FUSE PANEL
 PASSENGER'S FOOTWELL / RIGHT FUSE PANEL

GROUND

CODE

LBG201
 LBG261

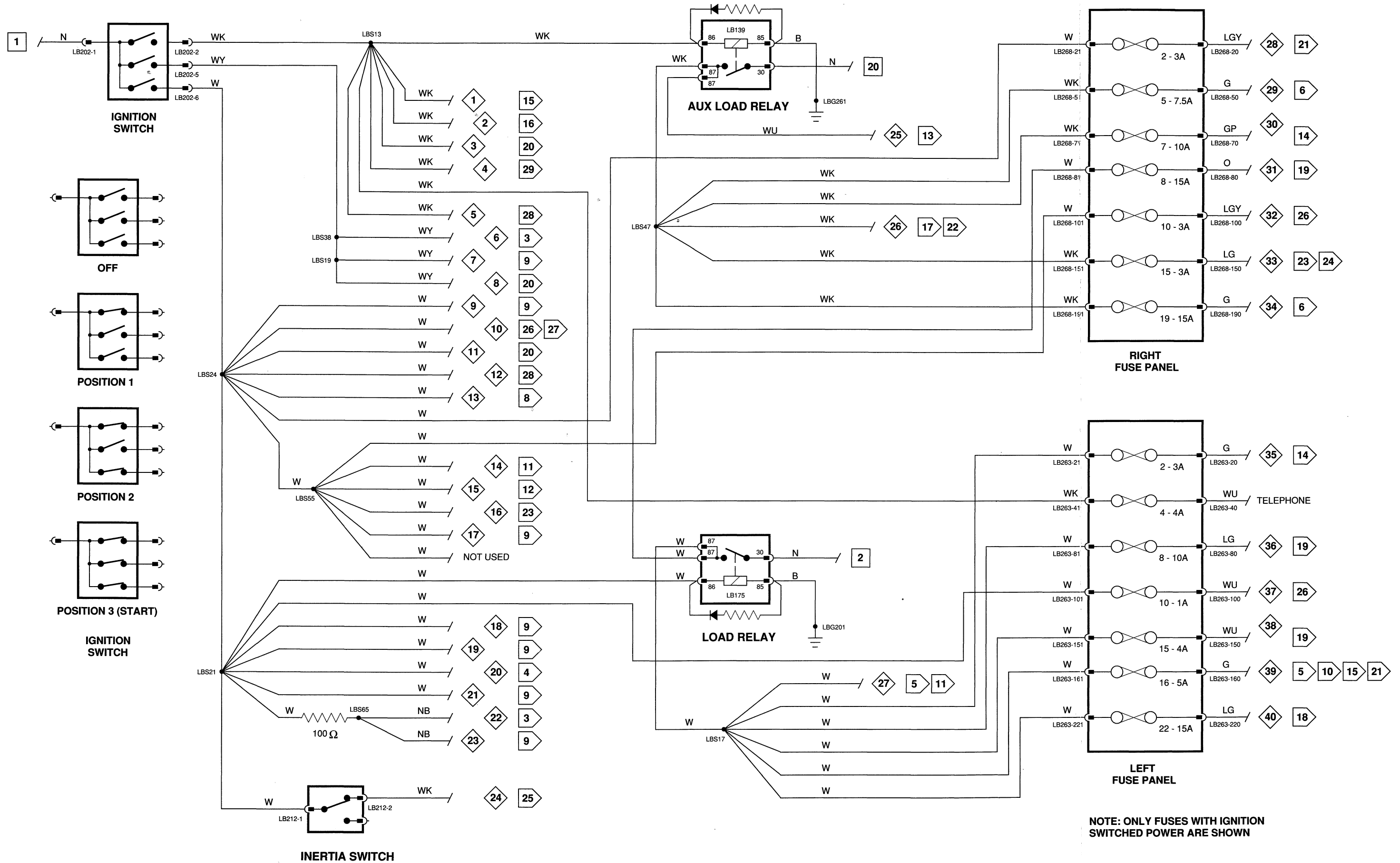
DESCRIPTION

EYELET
 EYELET

LOCATION / INTERFACE

LEFT 'A' POST FASCIA END PANEL / POWER GROUND
 RIGHT 'A' POST FASCIA END PANEL / POWER GROUND





NOTE: ONLY FUSES WITH IGNITION SWITCHED POWER ARE SHOWN

COMPONENTS

DESCRIPTION	LOCATION	ACCESS
ALTERNATOR	ENGINE, RIGHT FRONT	ENGINE COMPARTMENT
DIODE — (RFD[A])	ENGINE COMPARTMENT	TOP CENTER OF RADIATOR SHROUD
DIODE — (RFD[B])	ENGINE COMPARTMENT, RIGHT	BELOW ABS MOTOR PUMP UNIT
IGNITION SWITCH	STEERING COLUMN, RIGHT	REMOVE STEERING COLUMN TRIM
LOAD DUMP MODULE	ENGINE, RIGHT	ENGINE COMPARTMENT
NEUTRAL SWITCH	CENTER CONSOLE	CONSOLE TRIM
RELAY — STARTER (RF26)	RIGHT FRONT COMPONENT PANEL	ENGINE COMPARTMENT
STARTER MOTOR/SOLENOID	ENGINE	—

NOTE: COMPONENT IDENTIFICATIONS WITH [A] OR [B] RATHER THAN A NUMBER INDICATE COMPONENTS WITHOUT JDS DATA BASE IDENTIFICATION. THESE IDENTIFICATIONS ARE PENDING.

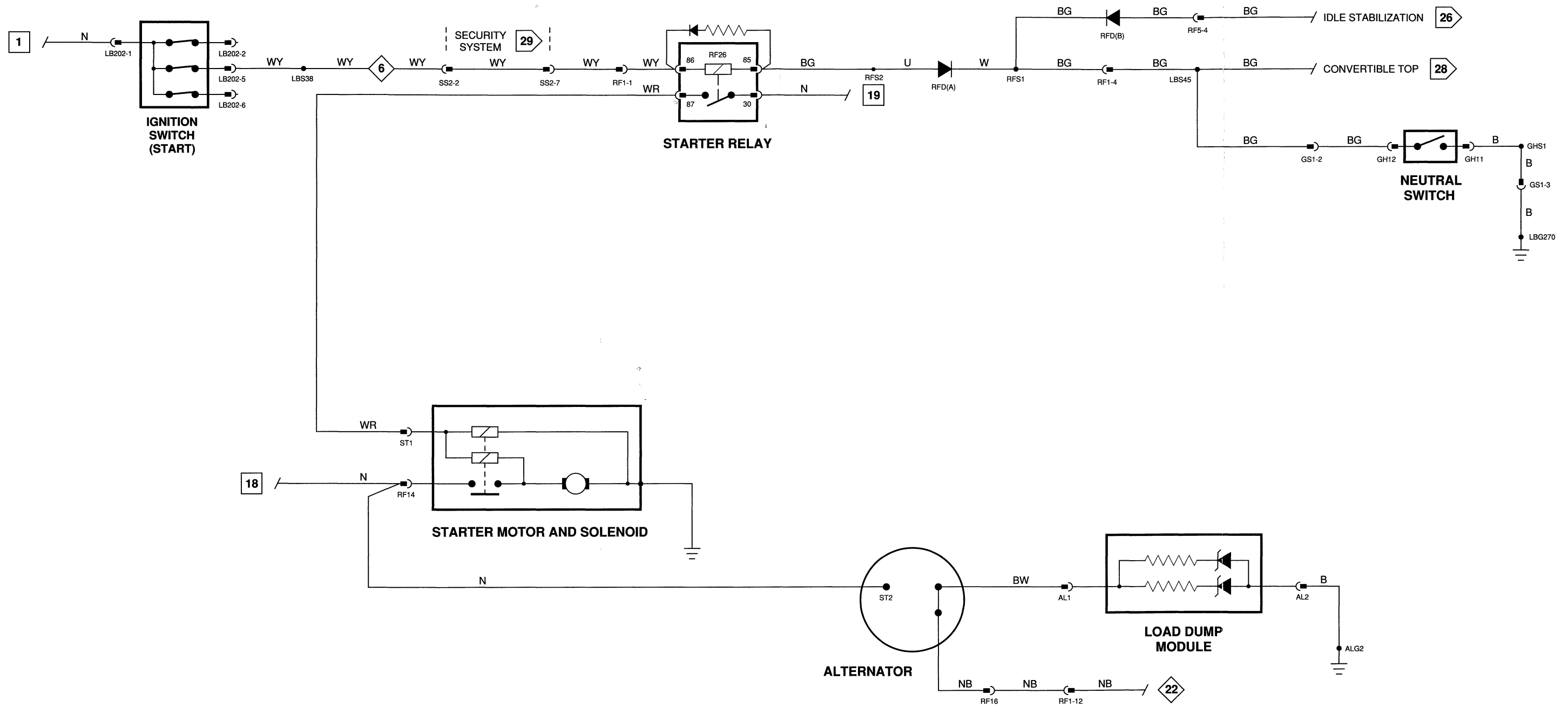
CONNECTORS

CODE	DESCRIPTION	LOCATION / INTERFACE
AL1	EYELET	ALTERNATOR / LOAD DUMP MODULE
AL2	EYELET	ALTERNATOR / LOAD DUMP MODULE
GH11	SPADE (NATURAL)	CENTER CONSOLE / NEUTRAL SWITCH
GH12	SPADE (NATURAL)	CENTER CONSOLE / NEUTRAL SWITCH
GS1	6-WAY SUMITOMO STD. (NATURAL)	BELOW RIGHT A/C OUTLET / GEAR SELECT HARNESS
LB202	6-WAY PM 4 (BLACK)	STEERING COLUMN / IGNITION SWITCH
RF1	18-WAY SUMITOMO BLOCK (BLACK)	RIGHT 'A' POST / ENGINE HARNESS
RF5	9-WAY PM 4 (BLACK)	ENGINE COMPARTMENT 'A' BANK, REAR / BULKHEAD HARNESS
RF14	EYELET	STARTER SOLENOID / ENGINE, RIGHT
RF16	EYELET	ALTERNATOR / ENGINE, RIGHT
RF26	RELAY BASE (WHITE)	RIGHT FRONT COMPONENT PANEL / STARTER RELAY
SS2	10-WAY SUMITOMO STD. (RED)	STEERING COLUMN, RIGHT / BULKHEAD HARNESS
ST1	EYELET	STARTER SOLENOID / ENGINE, RIGHT
ST2	EYELET	STARTER SOLENOID / ENGINE, RIGHT

GROUND

CODE	DESCRIPTION	LOCATION / INTERFACE
ALG2	EYELET	TOP RIGHT RADIATOR SUPPORT MOUNT / POWER GROUND
LBG270	EYELET	RIGHT 'A' POST FASCIA END PANEL / POWER GROUND





COMPONENTS

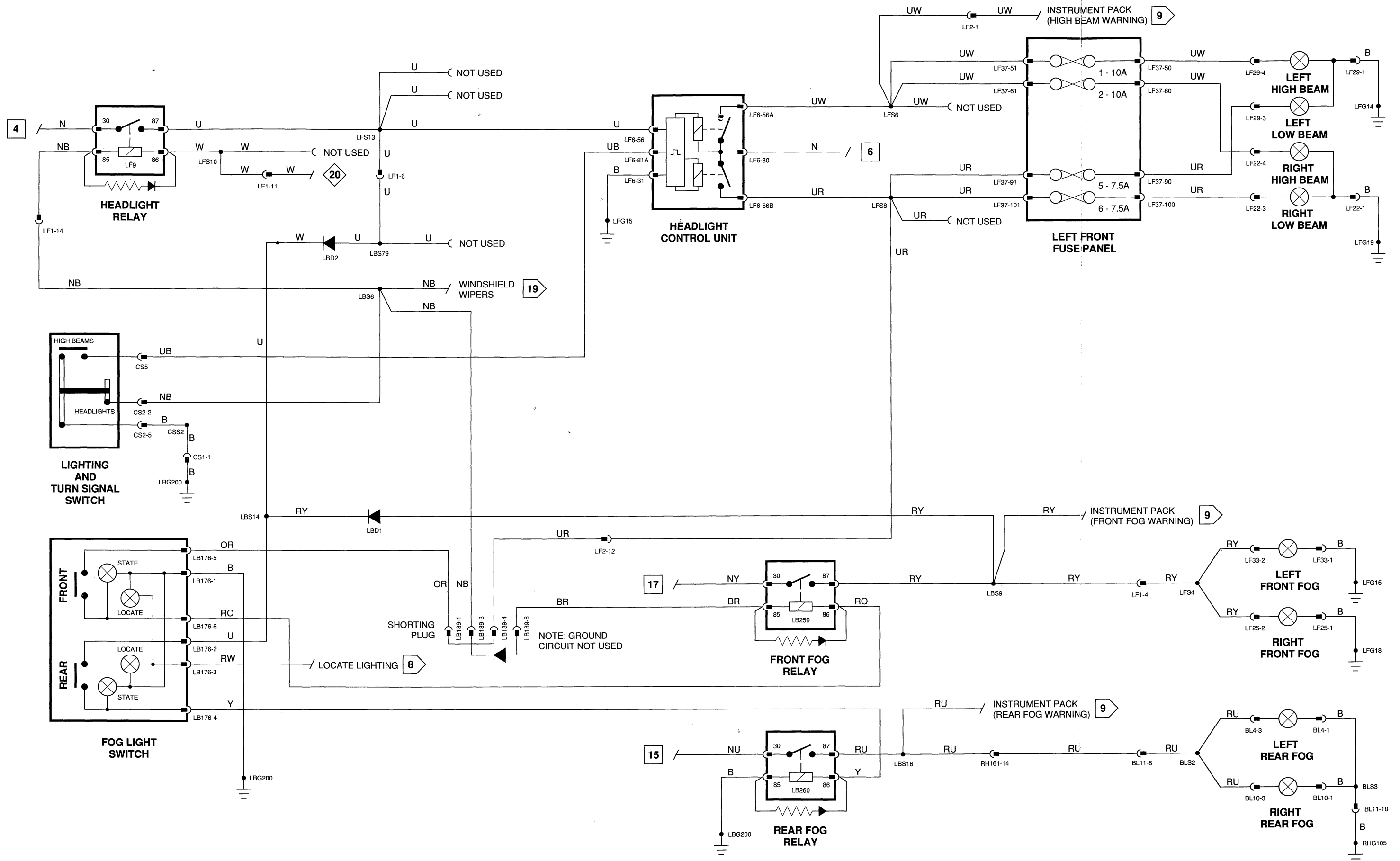
DESCRIPTION	LOCATION	ACCESS
DIODE — (LBD1)	STEERING COLUMN	LEFT DASH UNDER PANEL
DIODE — (LBD2)	STEERING COLUMN	LEFT DASH UNDER PANEL
FOG LIGHT SWITCH	LEFT FASCIA	—
FUSE PANEL — LEFT FRONT	LEFT FRONT COMPONENT PANEL	ENGINE COMPARTMENT
HEADLIGHT CONTROL UNIT	LEFT FRONT COMPONENT PANEL	ENGINE COMPARTMENT
LIGHTING AND TURN SIGNAL SWITCH	STEERING COLUMN, LEFT	STEERING COLUMN TRIM
RELAY — HEADLIGHT (LF9)	LEFT FRONT COMPONENT PANEL	ENGINE COMPARTMENT
RELAY — FRONT FOG (LB259)	LEFT COMPONENT PANEL	LEFT DASH UNDER PANEL
RELAY — REAR FOG (LB260)	LEFT COMPONENT PANEL	LEFT DASH UNDER PANEL
SHORTING PLUG	ABOVE LEFT FUSE PANEL	LEFT DASH UNDER PANEL

CONNECTORS

CODE	DESCRIPTION	LOCATION / INTERFACE
BL4	4-WAY SUMITOMO STD. (WHITE)	TRUNK LID, LEFT CENTER / LEFT REAR FOG LIGHTS
BL10	4-WAY SUMITOMO STD. (WHITE)	TRUNK LID, RIGHT CENTER / RIGHT REAR FOG LIGHTS
BL11	10-WAY SUMITOMO STD. (NATURAL)	ABOVE EFI ECU / REAR HARNESS
CS1	24-WAY SUMITOMO BLOCK (NATURAL)	ADJACENT TO STEERING COLUMN / LIGHTING AND TURN SIGNAL SWITCH
CS2	6-WAY SUMITOMO STD. (NATURAL)	LIGHTING STALK SWITCH GEAR / LIGHTING AND TURN SIGNAL SWITCH
LB176	6-WAY SUMITOMO STD. (NATURAL)	FASCIA PANEL, LEFT / STEERING COLUMN FOG LIGHT SWITCH
LB189	6-WAY SUMITOMO STD. (BLACK)	ABOVE LEFT FUSE PANEL / FRONT FOG RELAY
LB259	RELAY BASE (VIOLET)	LEFT COMPONENT PANEL / FRONT FOG LIGHT RELAY
LB260	RELAY BASE (BROWN)	LEFT COMPONENT PANEL / REAR FOG LIGHT RELAY
LF1	18-WAY SUMITOMO BLOCK (BLACK)	LEFT 'A' POST / LF HARNESS
LF2	14-WAY SUMITOMO BLOCK (BLUE)	LEFT 'A' POST / LF HARNESS
LF6	6-WAY AMP (BLACK)	LEFT FRONT COMPONENT PANEL / HEADLIGHT CONTROL UNIT
LF9	RELAY BASE (BLUE)	LEFT FRONT COMPONENT PANEL / HEADLIGHT RELAY
LF22	4-WAY SUMITOMO SEALED (GREEN)	RIGHT FRONT RADIATOR SUPPORT / RIGHT HEADLIGHTS
LF25	3-WAY PM 5 (YELLOW)	BEHIND FRONT VALENCE / RIGHT FRONT FOG LIGHT
LF29	4-WAY SUMITOMO SEALED (GREEN)	LEFT FRONT HEADLIGHT, INNER PANEL / LEFT HEADLIGHTS
LF33	3-WAY PM 5 (YELLOW)	BEHIND FRONT VALENCE / LEFT FRONT FOG LIGHTS
LF37	FUSE PANEL	DRIVER'S FOOTWELL / LEFT FUSE PANEL
RH161	20-WAY SUMITOMO BLOCK (NATURAL)	BELOW LEFT A/C OUTLET / REAR HARNESS

GROUND

CODE	DESCRIPTION	LOCATION / INTERFACE
LBG200	EYELET	LEFT 'A' POST FASCIA END PANEL / POWER GROUND
LFQ14	EYELET	TOP LEFT RADIATOR SUPPORT MOUNTING / POWER GROUND
LFQ15	EYELET	TOP LEFT RADIATOR SUPPORT MOUNTING / POWER GROUND
LFQ18	EYELET	TOP RIGHT RADIATOR SUPPORT MOUNTING / POWER GROUND
LFQ19	EYELET	TOP RIGHT RADIATOR SUPPORT MOUNTING / POWER GROUND
RHG105	EYELET	BETWEEN BATTERY AND INNER WHEEL ARCH / POWER GROUND



COMPONENTS

DESCRIPTION	LOCATION	ACCESS
BULB FAILURE UNIT — LEFT FRONT	RIGHT COMPONENT PANEL	RIGHT DASH UNDER PANEL
BULB FAILURE UNIT — LEFT REAR	LEFT TAIL LIGHT	TRUNK, LEFT LIGHT TRIM
BULB FAILURE UNIT — RIGHT FRONT	RIGHT COMPONENT PANEL	RIGHT DASH UNDER PANEL
BULB FAILURE UNIT — RIGHT REAR	RIGHT TAIL LIGHT	TRUNK, RIGHT LIGHT TRIM
DRIVER'S DOOR SWITCH	LEFT 'A' POST	DOOR JAM
FUSE PANEL — LEFT REAR	LEFT TAIL LIGHT	TRUNK, LEFT LIGHT TRIM
FUSE PANEL — RIGHT	RIGHT COMPONENT PANEL	RIGHT DASH UNDER PANEL
FUSE PANEL — RIGHT REAR	RIGHT TAIL LIGHT	TRUNK, RIGHT LIGHT TRIM
KEY IN SWITCH	IGNITION SWITCH	STEERING COLUMN TRIM
LIGHTING AND TURN SIGNAL SWITCH	STEERING COLUMN, LEFT	STEERING COLUMN TRIM
LIGHTS ON AUDIBLE WARNING UNIT	LEFT COMPONENT PANEL	LEFT DASH UNDER PANEL
RELAY — SIDE LIGHTS (LF10)	LEFT FRONT COMPONENT PANEL	ENGINE COMPARTMENT
REVERSE SWITCH	SHIFT LINKAGE CONSOLE	REMOVE TRIM

CONNECTORS

CODE	DESCRIPTION	LOCATION / INTERFACE
BL4	4-WAY SUMITOMO STD. (WHITE)	TRUNK LID, CENTER / LEFT REVERSE LIGHTS
BL5	SPADE	RIGHT REAR LICENSE / RIGHT LICENSE BULB
BL6	SPADE	RIGHT REAR LICENSE / RIGHT LICENSE BULB
BL8	SPADE	LEFT REAR LICENSE / LEFT LICENSE BULB
BL9	SPADE	LEFT REAR LICENSE / LEFT LICENSE BULB
BL10	4-WAY SUMITOMO STD. (WHITE)	TRUNK LID, CENTER / RIGHT REVERSE LIGHTS
BL11	10-WAY SUMITOMO STD. (NATURAL)	ABOVE EFI ECU / REAR LIGHTING HARNESS
CS1	24-WAY SUMITOMO BLOCK (NATURAL)	ADJACENT TO STEERING COLUMN / BULKHEAD HARNESS
CS2	6-WAY SUMITOMO STD. (NATURAL)	ADJACENT TO STEERING COLUMN / LIGHTING AND TURN SIGNAL SWITCH
GS1	6-WAY SUMITOMO STD. (NATURAL)	BELOW RIGHT A/C OUTLET / REVERSE LIGHT HARNESS
GS4	SPADE	TRANS SELECTOR LINKAGE / REVERSE LIGHT SWITCH
GS5	SPADE	TRANS SELECTOR LINKAGE / REVERSE LIGHT SWITCH
LB120	SPADE	RIGHT COMPONENT PANEL / BULB FAIL. UNIT — LEFT FRONT
LB121	SPADE	RIGHT COMPONENT PANEL / BULB FAIL. UNIT — LEFT FRONT
LB122	SPADE	RIGHT COMPONENT PANEL / BULB FAIL. UNIT — LEFT FRONT
LB123	SPADE	RIGHT COMPONENT PANEL / BULB FAIL. UNIT — LEFT FRONT
LB124	SPADE	RIGHT COMPONENT PANEL / BULB FAIL. UNIT — RIGHT FRONT
LB125	SPADE	RIGHT COMPONENT PANEL / BULB FAIL. UNIT — RIGHT FRONT
LB126	SPADE	RIGHT COMPONENT PANEL / BULB FAIL. UNIT — RIGHT FRONT
LB188	2-WAY SUMITOMO STD. (WHITE)	LEFT DASH UNDER PANEL / DRIVER'S DOOR SWITCH
LB203	2-WAY SUMITOMO STD. (WHITE)	STEERING COLUMN, UNDER DASH / KEY IN BUZZER
LB268	FUSE PANEL	PASSENGER'S FOOTWELL / RIGHT FUSE PANEL
LB286	RELAY BASE (NATURAL)	LEFT COMPONENT PANEL / LIGHTS ON AUDIBLE WARNING UNIT
LF1	18-WAY SUMITOMO BLOCK (BLACK)	LEFT 'A' POST / LEFT FORWARD HARNESS
LF10	RELAY BASE (BLUE)	LEFT FRONT COMPONENT PANEL / SIDELIGHTS RELAY
LF22	4-WAY SUMITOMO SEALED (BLUE)	RIGHT FRONT INNER WHEEL ARCH / RIGHT FRONT MARKER
LF26	2-WAY SUMITOMO SEALED (BLUE)	LF HARNESS / LEFT FRONT SIDE MARKER
LF29	4-WAY SUMITOMO SEALED (BLUE)	LEFT FRONT INNER WHEEL ARCH / LEFT FRONT MARKER
LF30	2-WAY SUMITOMO SEALED (BLUE)	RF HARNESS / RIGHT FRONT SIDE MARKER
RH95	2-WAY SUMITOMO SEALED (BLUE)	RIGHT REAR SIDE MARKER / RIGHT SIDE MARKER BULB
RH96	4-WAY SUMITOMO STD. (NATURAL)	RIGHT TAIL LIGHT / RIGHT TAIL LIGHT
RH97	3-WAY FUSE HOLDER (BLACK)	RIGHT TAIL LIGHT / RIGHT TAIL LIGHT
RH98	SPADE	ABOVE RIGHT TAIL / RIGHT TAIL AND MARKER LIGHTS, LEFT LICENSE LIGHT
RH99	SPADE	ABOVE RIGHT TAIL LIGHT / BULB FAIL. UNIT — RIGHT REAR
RH100	SPADE	ABOVE RIGHT TAIL LIGHT / BULB FAIL. UNIT — RIGHT REAR
RH115	3-WAY FUSE HOLDER (BLACK)	ABOVE RIGHT TAIL LIGHT / BULB FAIL. UNIT — RIGHT REAR
RH116	2-WAY SUMITOMO SEALED (BLUE)	ABOVE LEFT TAIL LIGHT / LEFT TAIL AND MARKER LIGHTS, RIGHT LICENSE LIGHT
RH119	4-WAY SUMITOMO STD. (NATURAL)	LEFT REAR SIDE MARKER / LEFT SIDE MARKER BULB
RH120	SPADE	LEFT TAIL LIGHT / LEFT TAIL LIGHT
RH121	SPADE	ABOVE LEFT TAIL LIGHT / BULB FAIL. UNIT — LEFT REAR
RH122	SPADE	ABOVE LEFT TAIL LIGHT / BULB FAIL. UNIT — LEFT REAR
RH160	4-WAY SUMITOMO BLOCK (NATURAL)	BELOW LEFT A/C OUTLET / BULKHEAD HARNESS

GROUNDS

CODE	DESCRIPTION	LOCATION / INTERFACE
LBG161	EYELET	LEFT TRANSMISSION TUNNEL BY A/C STRUT / LOGIC GROUND
LBG200	EYELET	LEFT 'A' POST FASCIA END PANEL / POWER GROUND
LFQ14	EYELET	TOP LEFT RADIATOR SUPPORT MOUNT / POWER GROUND
LFQ15	EYELET	TOP LEFT RADIATOR SUPPORT MOUNT / POWER GROUND
LFQ19	EYELET	TOP RIGHT RADIATOR SUPPORT MOUNT / POWER GROUND
RHG112	EYELET	TRUNK BETWEEN SPARE AND WHEEL ARCH / POWER GROUND
RHG105	EYELET	BETWEEN BATTERY AND INNER WHEEL ARCH / POWER GROUND
RHG106	EYELET	BETWEEN BATTERY AND INNER WHEEL ARCH / POWER GROUND
RHG111	EYELET	BETWEEN SPARE TIRE AND INNER WHEEL ARCH / POWER GROUND

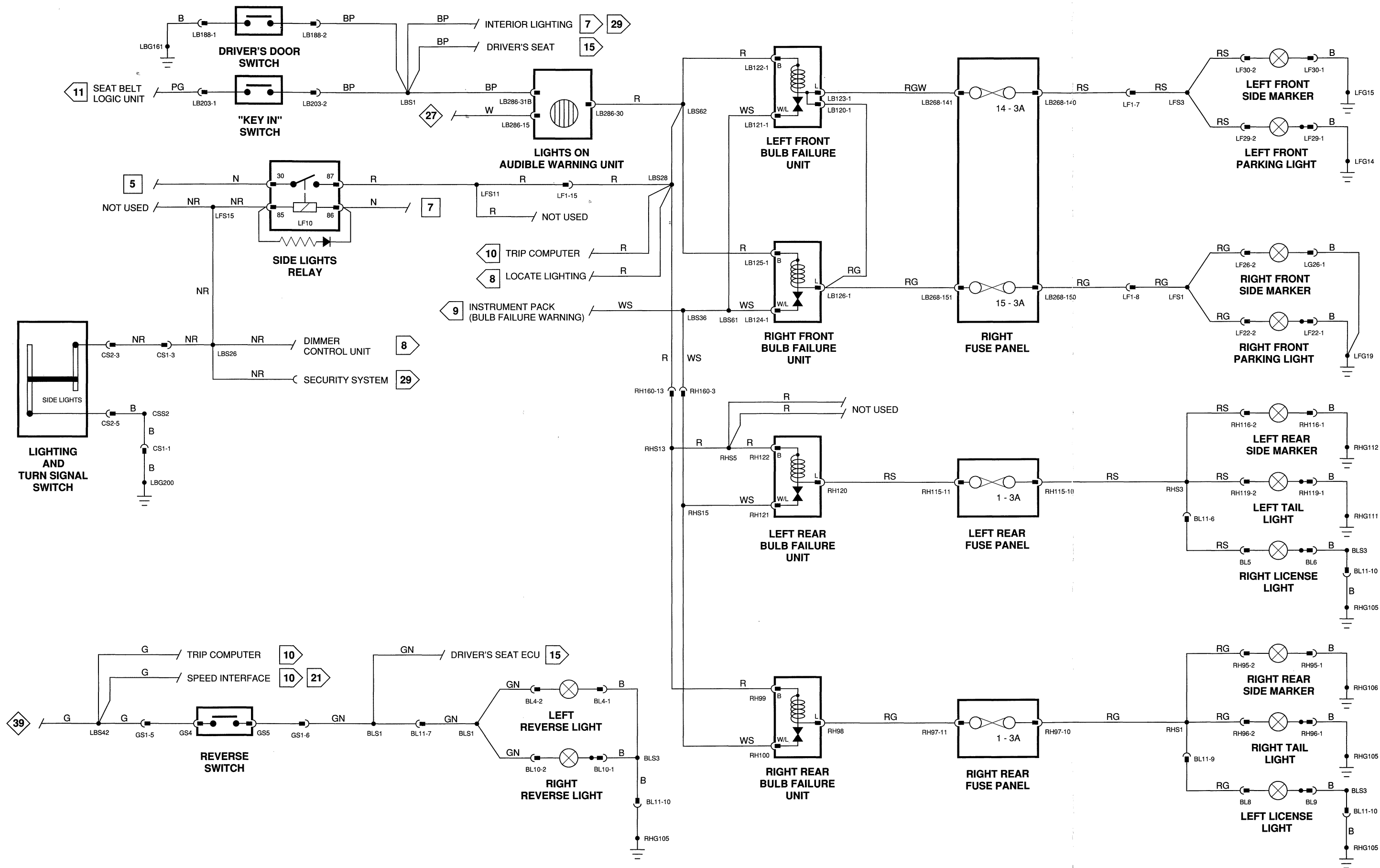


FIG 6

TURN SIGNALS; HAZARD WARNING LIGHTS; STOP LIGHTS

COMPONENTS

DESCRIPTION

BULB FAILURE UNIT — STOP LIGHT
 DIODE — (RHD1)
 FLASHER UNIT
 HAZARD SWITCH
 LIGHTING AND TURN SIGNAL SWITCH
 PARKING BRAKE SWITCH
 RELAY — STOP LIGHT (RH113)
 STOP LIGHT SWITCH

LOCATION

LEFT COMPONENT PANEL
 BEHIND LEFT TRUNK LID GAS STRUT SUPPORT
 LEFT COMPONENT
 LEFT OF TRIP COMPUTER
 STEERING COLUMN, LEFT
 PARKING BRAKE HANDLE
 ABOVE ABS ECU
 BRAKE PEDAL

ACCESS

LEFT DASH UNDER PANEL
 LEFT TRUNK TRIM
 LEFT DASH UNDER PANEL
 —
 REMOVE STEERING COLUMN TRIM
 REMOVE BRAKE HANDLE TRIM
 LEFT TRUNK TRIM PANEL
 LEFT DASH UNDER PANEL

CONNECTORS

CODE

DESCRIPTION

BN2 10-WAY SUMITOMO STD. (NATURAL)
 BN5 20-WAY SUMITOMO BLOCK (NATURAL)
 CS1 24-WAY SUMITOMO BLOCK (NATURAL)
 CS7 SPADE
 CS8 SPADE
 CS9 SPADE
 HL1 3-WAY PM 5 (BLACK)
 HL2 DOUBLE SPADE
 LB172 RELAY BASE (YELLOW)
 LB167 4-WAY SUMITOMO STD. (RED)
 LF1 18-WAY SUMITOMO BLOCK (BLACK)
 LF24 3-WAY PM 5 (BLACK)
 LF31 2-WAY PM 5 (BLACK)
 RH96 4-WAY SUMITOMO STD. (NATURAL)
 RH113 RELAY BASE (YELLOW)
 RH119 4-WAY SUMITOMO STD. (NATURAL)
 RH127 SPADE
 RH128 SPADE
 RH129 3-WAY SPADE (BLACK)
 RH133 SPADE
 RH134 SPADE
 RH135 SPADE
 RH160 4-WAY SUMITOMO
 RH161 20-WAY SUMITOMO BLOCK (NATURAL)

LOCATION / INTERFACE

BEHIND HAZARD SWITCH ASSEMBLY / HAZARD SWITCH
 BELOW RIGHT A/C OUTLET / BINNACLE HARNESS
 ADJACENT TO STEERING COLUMN / LIGHTING AND TURN SIGNAL SWITCH
 LIGHTING AND TURN SIGNAL SWITCH / BULKHEAD HARNESS, RIGHT TURN
 LIGHTING AND TURN SIGNAL SWITCH / DIRECTIONAL INPUT
 LIGHTING AND TURN SIGNAL SWITCH / BULKHEAD HARNESS, LEFT TURN
 INSIDE LR WHEEL ARCH BY ABS ECU / HIGH MOUNTED STOP LIGHT HARNESS
 HIGH MOUNTED STOP LIGHT / HIGH MOUNTED STOP LIGHT
 LEFT COMPONENT PANEL / FLASHER UNIT
 STEERING COLUMN / STOP LIGHT SWITCH
 RIGHT 'A' POST / RF HARNESS
 RIGHT FRONT TURN SIGNAL / RF HARNESS
 LEFT FRONT TURN SIGNAL / LF HARNESS
 RIGHT TAIL LIGHT / RIGHT STOP LIGHT
 ABOVE ABS ECU / STOP LIGHT RELAY
 LEFT TAIL LIGHT / LEFT STOP LIGHT
 BEHIND LEFT TRUNK LID GAS STRUT SUPPORT / REAR BRAKE LIGHT WIRING CIRCUIT
 BEHIND LEFT TRUNK LID GAS STRUT SUPPORT / REAR BRAKE LIGHT WIRING CIRCUIT
 BEHIND LEFT TRUNK LID GAS STRUT SUPPORT / REAR BRAKE LIGHT WIRING CIRCUIT
 PARKING BRAKE SWITCH / BULB CHECK UNIT
 PARKING BRAKE SWITCH / BULB CHECK UNIT
 PARKING BRAKE SWITCH / GROUND
 BELOW LEFT A/C OUTLET / REAR HARNESS
 BELOW LEFT A/C OUTLET / REAR HARNESS

GROUNDINGS

CODE

DESCRIPTION

LBG201 EYELET
 LBG269 EYELET
 LBG271 EYELET
 LFG15 EYELET
 LFG18 EYELET
 RHG105 EYELET
 RHG111 EYELET
 RHG112 EYELET
 RHG136 EYELET

LOCATION / INTERFACE

LEFT 'A' POST FASCIA END PANEL / POWER GROUND
 LEFT 'A' POST FASCIA END PANEL / POWER GROUND
 LEFT 'A' POST FASCIA END PANEL / POWER GROUND
 TOP LEFT RADIATOR SUPPORT MOUNT / POWER GROUND
 TOP RIGHT RADIATOR SUPPORT MOUNT / POWER GROUND
 BETWEEN BATTERY AND INNER WHEEL ARCH / POWER GROUND
 BETWEEN SPARE TIRE AND INNER WHEEL ARCH / POWER GROUND
 BETWEEN SPARE TIRE AND INNER WHEEL ARCH / POWER GROUND
 BASE OF HANDBRAKE / POWER GROUND



BATTERY POWER

FIG 1



IGNITION POWER

FIG 2



FIG NUMBER REFERENCE

COMPONENTS

DESCRIPTION

DIODE — (LBD[A])
 DIODE — (LBD[B])
 DRIVER'S DOOR SWITCH
 INTERIOR LIGHT DELAY UNIT
 INTERIOR LIGHTING SWITCH
 PASSENGER'S DOOR SWITCH
 TRUNK LIGHT SWITCH

LOCATION

BEHIND RIGHT BLOWER MOTOR
 BEHIND RIGHT BLOWER MOTOR
 LEFT 'A' POST
 RIGHT COMPONENT PANEL
 RIGHT OF TRIP COMPUTER
 RIGHT 'A' POST
 TRUNK LATCH ASSEMBLY

ACCESS

RIGHT BLOWER
 RIGHT BLOWER
 —
 RIGHT DASH UNDER PANEL
 —
 RIGHT DASH UNDER PANEL
 REMOVE LATCH

NOTE: COMPONENT IDENTIFICATIONS WITH [A] OR [B] RATHER THAN A NUMBER INDICATE COMPONENTS WITHOUT JDS DATA BASE IDENTIFICATION. THESE IDENTIFICATIONS ARE PENDING.

CONNECTORS

CODE

DESCRIPTION

BL11 10-WAY SUMITOMO STD. (NATURAL)
 BL12 2-WAY AMP
 BN4 6-WAY SUMITOMO STD. (NATURAL)
 BN5 20-WAY SUMITOMO BLOCK (NATURAL)
 DD6 BULLET
 DD7 BULLET
 DD13 20-WAY SUMITOMO BLOCK (YELLOW)
 LB140 2-WAY SUMITOMO STD. (NATURAL)
 LB141 SPADE
 LB142 SPADE
 LB143 RELAY BASE (RED)
 LB186 SPADE
 LB187 SPADE
 LB188 2-WAY SUMITOMO STD. (NATURAL)
 LB195 BULLET
 LB196 BULLET
 LB197 BULLET
 PD6 BULLET
 PD7 BULLET
 PD13 20-WAY SUMITOMO BLOCK (YELLOW)
 RC3 SPADE (COUPE)
 RC4 SPADE (COUPE)
 RC11 3-WAY PM 5 (BLACK)
 RC12 3-WAY PM 5 (BLACK)
 RH123 SPADE
 RH124 SPADE
 RH140 SPADE
 RH141 SPADE
 RH161 20-WAY SUMITOMO BLOCK (NATURAL)
 RH162 6-WAY SUMITOMO STD. (RED)

LOCATION / INTERFACE

ABOVE EFI ECU / REAR TRUNK LIGHTING HARNESS
 ABOVE TRUNK LATCH MECHANISM / TRUNK LIGHT SWITCH
 BEHIND INTERIOR LIGHTING SWITCH / INTERIOR LIGHTING SWITCH
 BELOW RIGHT A/C OUTLET / BINNACLE HARNESS
 BEHIND DRIVER'S DOOR PANEL / DRIVER'S DOOR LIGHT
 BEHIND DRIVER'S DOOR PANEL / DRIVER'S DOOR LIGHT
 LEFT 'A' POST / BULKHEAD HARNESS
 R/UNDER DASH 6 IN. FROM 'A' POST / PASSENGER'S DOOR SWITCH
 ABOVE LEFT BOLSTER / DRIVER'S SIDE MAP LIGHT
 ABOVE LEFT BOLSTER / DRIVER'S SIDE MAP LIGHT
 RIGHT COMPONENT PANEL / INTERIOR LIGHT DELAY UNIT
 DRIVER'S COURTESY LIGHT / BULKHEAD HARNESS
 DRIVER'S COURTESY LIGHT / BULKHEAD HARNESS
 L/UNDER DASH 6 IN. FROM 'A' POST / DRIVER'S DOOR SWITCH
 BEHIND ROOF LIGHT / INTERIOR LIGHTS AND ROOF LIGHTING
 BEHIND ROOF LIGHT / ROOF LIGHT GROUND
 BEHIND ROOF LIGHT / ROOF LIGHT POWER SUPPLY
 BEHIND PASSENGER'S DOOR PANEL / PASSENGER'S DOOR LIGHT
 BEHIND PASSENGER'S DOOR PANEL / PASSENGER'S DOOR LIGHT
 RIGHT 'A' POST / BULKHEAD HARNESS
 REAR COURTESY LIGHT / REAR HARNESS
 REAR COURTESY LIGHT / REAR HARNESS
 (COUPE ONLY) BEHIND RIGHT REAR TRIM PANEL / RIGHT REAR COURTESY LIGHT
 (COUPE ONLY) BEHIND LEFT REAR TRIM PANEL / LEFT REAR COURTESY LIGHT
 TRUNK PANEL, LEFT INNER / LEFT TRUNK LIGHT
 TRUNK PANEL, LEFT INNER / LEFT TRUNK LIGHT
 TRUNK PANEL, RIGHT INNER / RIGHT TRUNK LIGHT
 TRUNK PANEL, RIGHT INNER / RIGHT TRUNK LIGHT
 TRUNK PANEL, RIGHT INNER / RIGHT TRUNK LIGHT
 BELOW LEFT A/C OUTLET / REAR HARNESS
 BELOW RIGHT A/C OUTLET / REAR HARNESS

GROUNDS

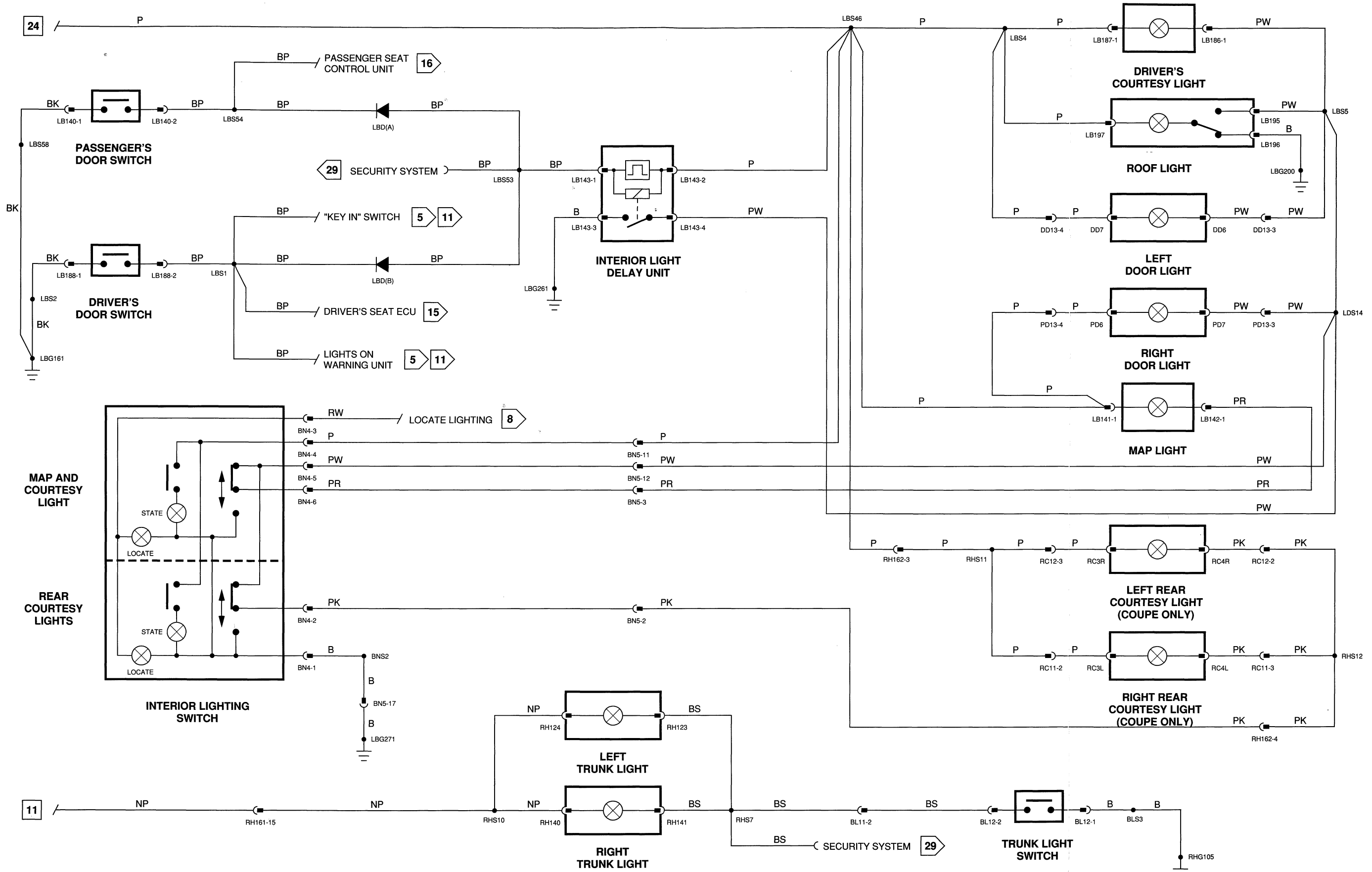
CODE

DESCRIPTION

LBG161 EYELET
 LBG200 EYELET
 LBG261 EYELET
 LBG271 EYELET
 RHG105 EYELET

LOCATION / INTERFACE

LEFT TRANSMISSION TUNNEL BY A/C SUPPORT / LOGIC GROUND
 LEFT 'A' POST FASCIA END PANEL / POWER GROUND
 RIGHT 'A' POST FASCIA END PANEL / POWER GROUND
 LEFT 'A' POST FASCIA END PANEL / POWER GROUND
 BETWEEN BATTERY AND INNER WHEEL ARCH / POWER GROUND



COMPONENTS

DESCRIPTION	LOCATION	ACCESS
CIGAR LIGHTER	CENTER CONSOLE	—
CLIMATE CONTROL PANEL	CENTER CONSOLE	—
COLUMN SWITCH GEAR	STEERING COLUMN	—
DIMMER CONTROL UNIT	LEFT COMPONENT PANEL	LEFT DASH UNDER PANEL
DIMMER CONTROL	LEFT DASH UNDER PANEL	—
DRIVER'S DOOR SWITCH PACK	DRIVER'S DOOR	—
FOG LIGHT SWITCH	LEFT DASH UNDER PANEL	—
FUSE PANEL — LEFT	LEFT COMPONENT PANEL	LEFT DASH UNDER PANEL
GEAR SELECTOR	CENTER CONSOLE	—
HAZARD & HEATED REAR WINDOW SWITCH	CENTER CONSOLE, LEFT	—
INSTRUMENT PACK	DRIVER'S SIDE DASH	—
INTERIOR LIGHTING SWITCH	SWITCH #2, CENTER CONSOLE	—
PASSENGER'S DOOR SWITCH PACK	PASSENGER'S DOOR	—
RADIO	CENTER CONSOLE	—
RELAY — SIDE LIGHTS (LF10)	LEFT FRONT COMPONENT PANEL	ENGINE COMPARTMENT

CONNECTORS

CODE	DESCRIPTION	LOCATION / INTERFACE
BN2	10-WAY SUMITOMO STD. (NATURAL)	BEHIND HAZARD LIGHT SWITCH / HAZARD/REAR WINDOW HEATER LOCATE ILLUMINATION
BN4	6-WAY SUMITOMO STD. (NATURAL)	BEHIND INTERIOR LIGHT SWITCH / INTERIOR SWITCH LOCATE ILLUMINATION
BN5	20-WAY SUMITOMO BLOCK (NATURAL)	BELOW RIGHT A/C OUTLET / BINNACLE HARNESS
CH10	BULLETT	GEAR SHIFT LINKAGE / GEAR SHIFT LOCATE ILLUMINATION
CH11	BULLETT	GEAR SHIFT LINKAGE / GEAR SHIFT LOCATE ILLUMINATION
CH13	SPADE	CIGAR LIGHTER / LOCATE ILLUMINATION
CH14	BULLETT	CIGAR LIGHTER / LOCATE ILLUMINATION
CH17	10-WAY SUMITOMO STD. (NATURAL)	BELOW RIGHT A/C OUTLET / CIGAR LIGHTER AND GEAR SELECT LOCATE ILLUMINATION
CS1	24-WAY SUMITOMO BLOCK (NATURAL)	ADJACENT TO STEERING COLUMN / COLUMN SWITCH GEAR HARNESS
CS11	SPADE	COLUMN SWITCH GEAR / SWITCH GEAR LOCATE ILLUMINATION
CS12	SPADE	COLUMN SWITCH GEAR / SWITCH GEAR LOCATE ILLUMINATION
DD4	14-WAY SUMITOMO BLOCK (NATURAL)	DRIVER'S DOOR / DRIVER'S DOOR SWITCH PACK ILLUMINATION
DD12	16-WAY SUMITOMO BLOCK (GREEN)	LEFT 'A' POST / DRIVER'S DOOR HARNESS
LB155	2-WAY MATE AND LOCK (NATURAL)	BEHIND A/C PANEL / A/C PANEL LOCATE ILLUMINATION
LB160	13-WAY MULTILOCK (NATURAL)	BEHIND RADIO / RADIO ILLUMINATION
LB170	RELAY BASE (BLACK)	LEFT COMPONENT PANEL / DIMMER CONTROL UNIT
LB176	6-WAY SUMITOMO STD. (NATURAL)	BEHIND FOG LIGHT SWITCH / FOG LIGHT SWITCH ILLUMINATION
LB247	14-WAY HEWLETT PACKARD (BLACK)	BEHIND INSTRUMENT PACK / INSTRUMENT PACK ILLUMINATION
LB263	22-WAY FUSE PANEL	DRIVER'S FOOTWELL / LEFT FUSE PANEL
LB267	3-WAY PM 5 (PURPLE)	LEFT COMPONENT PANEL / DIMMER CONTROL UNIT
LF1	18-WAY SUMITOMO BLOCK (BLACK)	LEFT 'A' POST / BULKHEAD HARNESS
LF10	RELAY BASE (BLUE)	LEFT FRONT COMPONENT PANEL / SIDE LIGHT RELAY
PD4	14-WAY SUMITOMO BLOCK (NATURAL)	PASSENGER'S DOOR HARNESS / PASSENGER'S DOOR SWITCH PACK ILLUMINATION
PD12	16-WAY SUMITOMO BLOCK (GREEN)	RIGHT 'A' POST / PASSENGER'S DOOR HARNESS

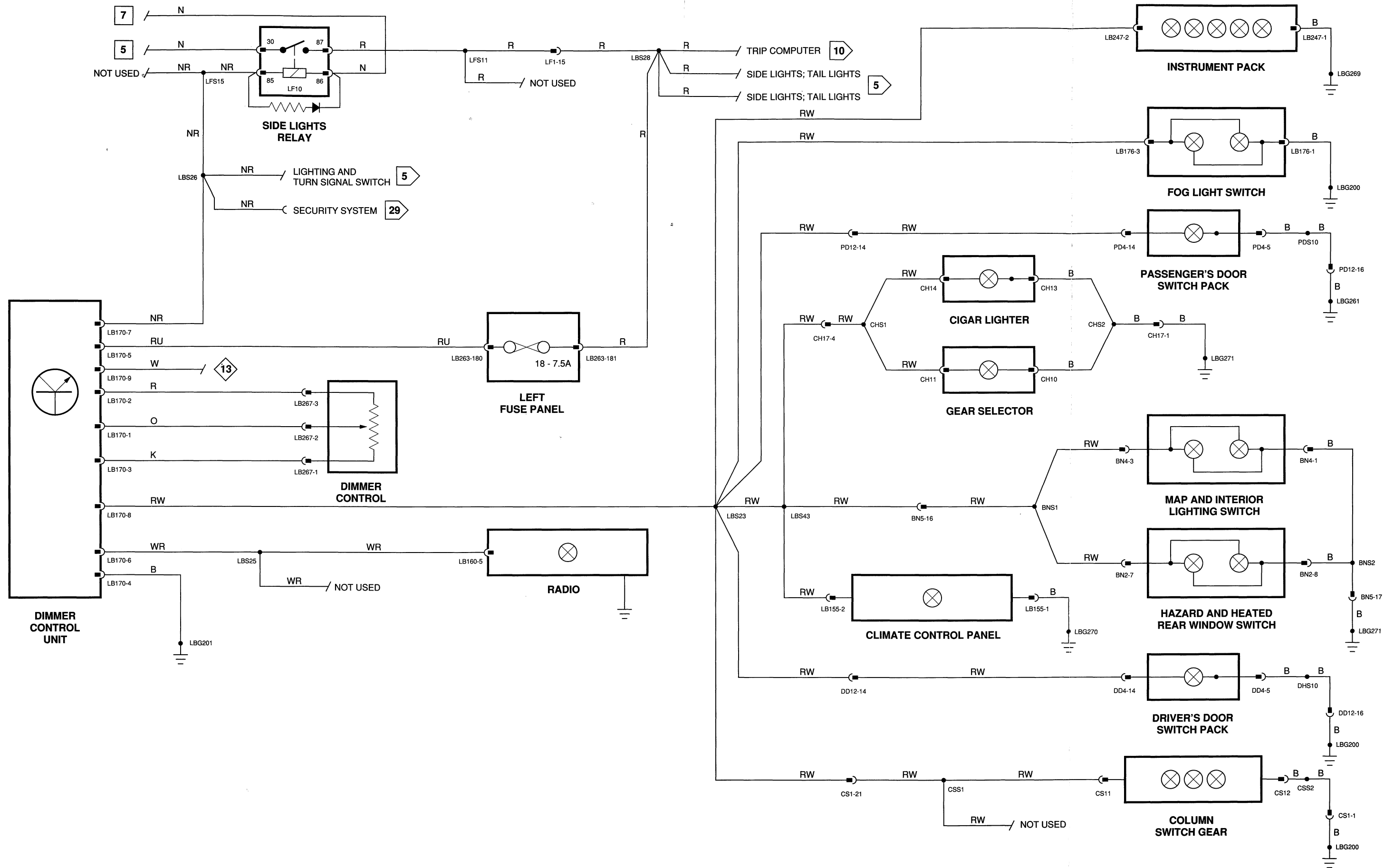
GROUND

CODE	DESCRIPTION	LOCATION / INTERFACE
LBG200	EYELET	LEFT 'A' POST FASCIA END PANEL / POWER GROUND
LBG201	EYELET	LEFT 'A' POST FASCIA END PANEL / POWER GROUND
LBG269	EYELET	LEFT 'A' POST FASCIA END PANEL / POWER GROUND
LBG261	EYELET	RIGHT 'A' POST FASCIA END PANEL / POWER GROUND
LBG270	EYELET	RIGHT 'A' POST FASCIA END PANEL / POWER GROUND
LBG271	EYELET	LEFT 'A' POST FASCIA END PANEL / POWER GROUND

INPUTS / OUTPUTS

DIMMER CONTROL UNIT			ACTIVE	INACTIVE
CODE	IN / OUT	CIRCUIT		
LB170-1	IN	LIGHTING DIMMER POTENTIOMETER	MAX: APPROX. 13V	MIN: APPROX. 6V
LB170-2	IN	LIGHTING DIMMER POTENTIOMETER	MAX: APPROX. 14V	MIN: APPROX. 6V
LB170-3	IN	LIGHTING DIMMER POTENTIOMETER	MAX: APPROX. 13V	MIN: APPROX. 7V
LB170-4	IN	POWER GROUND	GROUND	GROUND
LB170-5	IN	BATTERY POWER	12V	12V
LB170-6	OUT	RADIO ILLUMINATION	LIGHTS ON: 12V	LIGHTS OFF: 0V
LB170-7	IN	SIDE LIGHTS	LIGHTS ON: GROUND	LIGHTS OFF: 12V
LB170-8	OUT	INSTRUMENT LIGHTING	MAX: APPROX. 11V	MIN: APPROX. 4.5V
LB170-9	IN	IGNITION SWITCHED POWER	KEY ON: 12V	KEY OFF: 0V





COMPONENTS

DESCRIPTION	LOCATION	ACCESS
ANTI-SLOSH UNIT	LEFT REAR COMPONENT PANEL	LEFT TRUNK WHEEL ARCH
BULB CHECK UNIT	LEFT COMPONENT PANEL	LEFT DASH UNDER PANEL
COOLANT LEVEL TRANSMITTER	RIGHT COMPONENT PANEL	RIGHT DASH UNDER PANEL
COOLANT LEVEL SENSOR	BELOW B BANK AIR CLEANER, ON COOL. RESERVOIR	ENGINE COMPARTMENT
COOLANT TEMPERATURE TRANSMITTER	RIGHT FRONT WATER MANIFOLD	ENGINE COMPARTMENT
DIODE — (LBD64)	BEHIND INSTRUMENT PACK	INSTRUMENT PACK
DIODE — (RHD[A])	CENTER CONSOLE, LEFT, UNDER INSULATION	CENTER CONSOLE
FUEL LEVEL TRANSMITTER	FUEL TANK	TRUNK
INSTRUMENT PACK	DRIVER'S SIDE DASH	LEFT DASH UNDER PANEL
OIL PRESSURE SWITCH	BETWEEN A&B BANK, REAR OF ENGINE	ENGINE COMPARTMENT
OIL PRESSURE TRANSMITTER	BETWEEN A&B BANK, REAR OF ENGINE	ENGINE COMPARTMENT
PARKING BRAKE SWITCH	PARKING BRAKE	REMOVE BRAKE TRIM
WASHER RESERVOIR LEVEL SENSOR	BELOW UPPER RADIATOR HOSE	ENGINE COMPARTMENT

NOTE: COMPONENT IDENTIFICATIONS WITH [A] OR [B] RATHER THAN A NUMBER INDICATE COMPONENTS WITHOUT JDS DATA BASE IDENTIFICATION. THESE IDENTIFICATIONS ARE PENDING.

CONNECTORS

CODE	DESCRIPTION	LOCATION / INTERFACE
EH2	SPADE W/WHITE BOOT	BANK A, FRONT OF WATER MANIFOLD / COOLANT TEMP. TRANSMITTER
EM31	SPADE W/BOOT	BETWEEN A&B BANK, REAR OF ENGINE / OIL PRESSURE TRANSMITTER
EM32	SPADE	OIL PRESSURE SWITCH / ENGINE MANAGEMENT HARNESS
LB127	5-WAY AMP (WHITE)	BEHIND RIGHT COMPONENT PANEL / COOLANT LEVEL TRANSMITTER
LB174	RELAY BASE (GREEN)	LEFT COMPONENT PANEL / BULB CHECK UNIT
LB246	18-WAY HEWLETT PACKARD (BLACK)	BEHIND INSTRUMENT PACK / INSTRUMENT PACK
LB247	14-WAY HEWLETT PACKARD (BLACK)	BEHIND INSTRUMENT PACK / INSTRUMENT PACK
LF1	18-WAY SUMITOMO BLOCK (BLACK)	LEFT 'A' POST / COOLANT LEVEL SENSOR HARNESS
LF12	SPADE	COOLANT RESERVOIR / COOLANT LEVEL SENSOR
LF20	3-WAY PM 5 (BLACK)	BELOW UPPER RADIATOR HOSE / WASHER RESERVOIR LEVEL SENSOR
RF1	18-WAY SUMITOMO BLOCK (BLACK)	RIGHT 'A' POST / RF HARNESS
RF5	9-WAY PM 4 (BLACK)	REAR OF BANK A CYLINDER HEAD / RIGHT 'A' POST BULKHEAD HARNESS
RH101	SPADE	FUEL TANK / FUEL LEVEL TRANSMITTER
RH103	SPADE	FUEL TANK / FUEL LEVEL TRANSMITTER
RH133	SPADE	UNDER PARK BRAKE TRIM / PARK BRAKE SWITCH
RH134	SPADE	UNDER PARK BRAKE TRIM / PARK BRAKE SWITCH
RH135	SPADE	UNDER PARK BRAKE TRIM / PARK BRAKE SWITCH
RH161	20-WAY SUMITOMO BLOCK (NATURAL)	BELOW LEFT A/C OUTLET / REAR HARNESS
RH169	RELAY BASE (BLACK)	LEFT TRUNK BEHIND GAS STRUT SUPPORT / ANTI-SLOSH UNIT

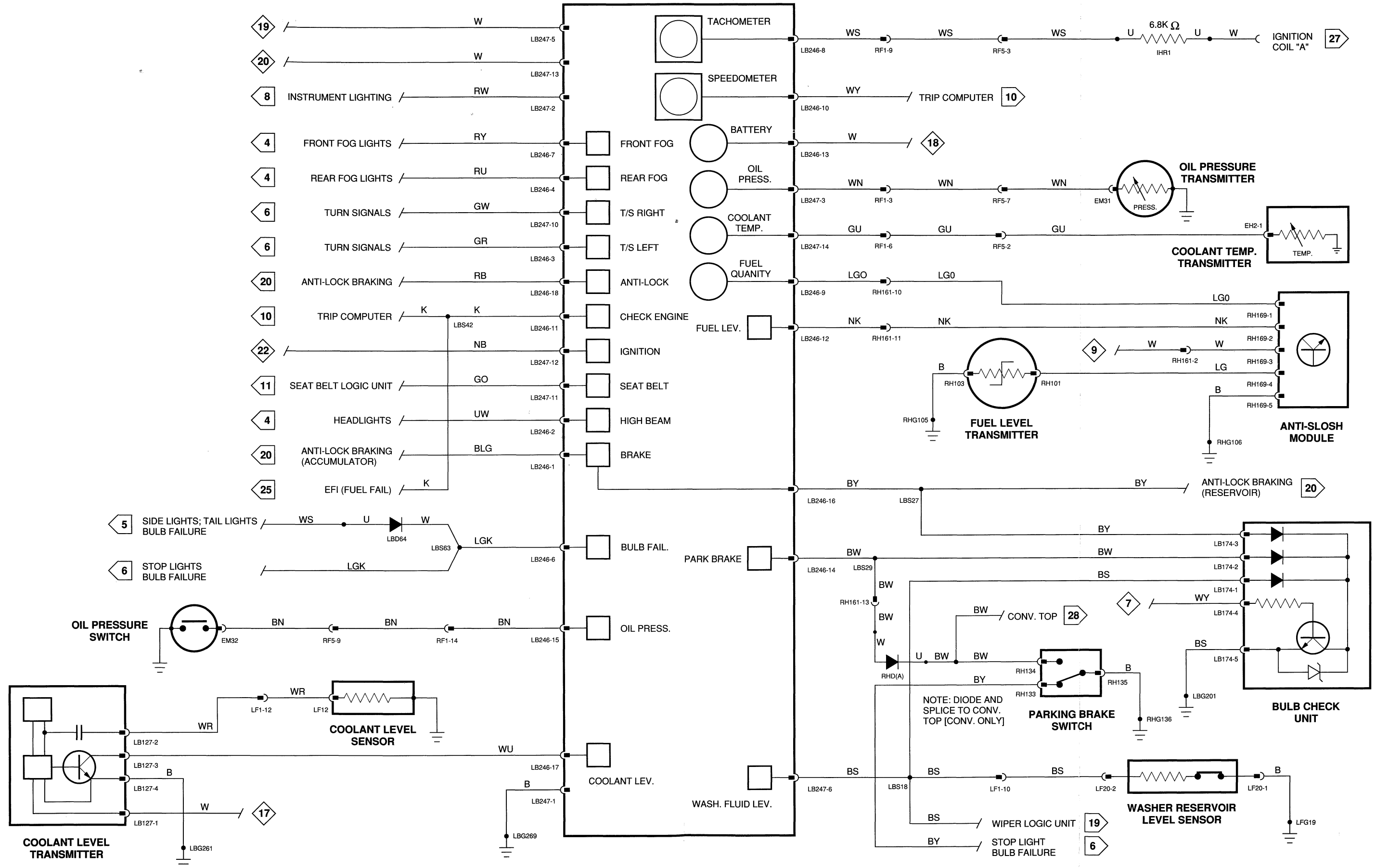
GROUND

CODE	DESCRIPTION	LOCATION / INTERFACE
LBG201	EYELET	LEFT 'A' POST FASCIA END PANEL / POWER GROUND
LBG261	EYELET	RIGHT 'A' POST FASCIA END PANEL / POWER GROUND
LBG269	EYELET	LEFT 'A' POST FASCIA END PANEL / POWER GROUND
LFG19	EYELET	TOP RIGHT RADIATOR SUPPORT MOUNT / POWER GROUND
RHG105	EYELET	BETWEEN BATTERY AND INNER WHEEL ARCH / POWER GROUND
RHG106	EYELET	BETWEEN BATTERY AND INNER WHEEL ARCH / POWER GROUND
RHG136	EYELET	BASE OF HAND BRAKE / POWER GROUND

INPUTS / OUTPUTS

ANTI-SLOSH UNIT	NOTE: PERFORM TEST WITH ANTI-SLOSH UNIT DISCONNECTED / PROBE RELAY BASE	ACTIVE	INACTIVE
CODE	IN / OUT	CIRCUIT	
RH169-1	OUT	FUEL QUANTITY — DASH	KEY ON: 12V
RH169-2	OUT	FUEL LEVEL — DASH	KEY ON: 12V
RH169-3	IN	IGNITION SWITCHED POWER	KEY ON: 12V
RH169-4	IN	FUEL LEVEL TRANSMITTER	RESISTANCE VARIES W/FUEL LEVEL; MAX: APPROX. 18Ω, MIN: APPROX. 250Ω
RH169-5	IN	POWER GROUND	GROUND





COMPONENTS

DESCRIPTION	LOCATION	ACCESS
SPEED INTERFACE UNIT	TRUNK, LEFT	REMOVE LEFT TRIM
SPEED SENSOR	DIFFERENTIAL	BENEATH VEHICLE
TRIP COMPUTER	CENTER CONSOLE	—

CONNECTORS

CODE	DESCRIPTION	LOCATION / INTERFACE
BN3	10-WAY SUMITOMO STD. (RED)	BEHIND TRIP COMPUTER / TRIP COMPUTER
BN5	20-WAY SUMITOMO BLOCK (NATURAL)	BELOW RIGHT A/C OUTLET / BINNACLE HARNESS
LI129	6-WAY SUMITOMO STD. (BLUE)	BELOW RIGHT A/C OUTLET / FUEL INJECTION HARNESS
RH114	4-WAY PM HD (BLACK)	BEHIND LEFT TRUNK LID GAS STRUT SUPPORT / SPEED INTERFACE UNIT
RH160	14-WAY SUMITOMO BLOCK (NATURAL)	BELOW LEFT A/C OUTLET / REAR HARNESS

GROUNDS

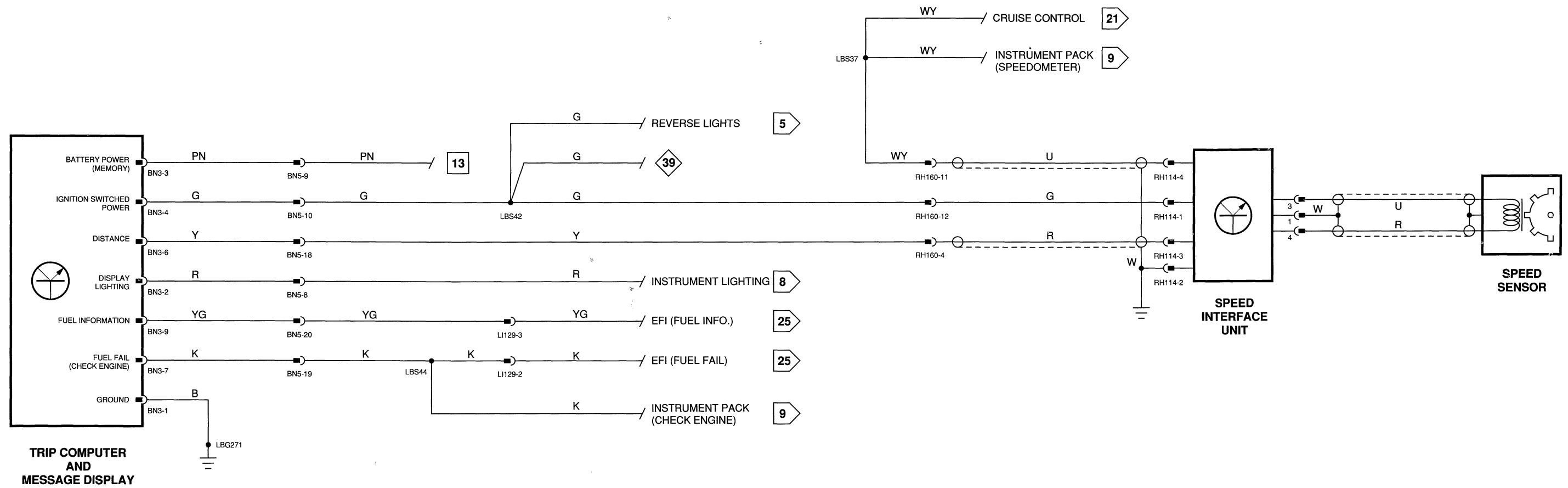
CODE	DESCRIPTION	LOCATION / INTERFACE
LBG271	EYELET	LEFT 'A' POST FASCIA END PANEL / POWER GROUND

INPUTS / OUTPUTS

TRIP COMPUTER AND MESSAGE DISPLAY

CODE	IN / OUT	CIRCUIT	ACTIVE	INACTIVE
BN3-1	IN	POWER GROUND	LIGHTS ON: GROUND	LIGHTS OFF: GROUND
BN3-2	IN	LIGHTING DISPLAY	LIGHTS ON: 12V	LIGHTS OFF: 0V
BN3-3	IN	BATTERY POWER	12V	12V
BN3-4	IN	IGNITION SWITCHED POWER	12V	0V
BN3-6	IN	DISTANCE TRAVELED	AC VOLTS INCREASE W/ROAD SPEED	KEY ON: APPROX. 5V AC
BN3-7	IN	CHECK ENGINE LIGHT	LIGHTS ON: APPROX. 1V	LIGHTS OFF: 12V
BN3-9	IN	FUEL INFORMATION	AC VOLTS INCREASE W/ENGINE RPM	0 ENGINE RPM: 0V AC





COMPONENTS

DESCRIPTION

DRIVER'S DOOR SWITCH
 DRIVER'S SEAT BELT SWITCH
 KEY IN SWITCH
 LIGHTING AND TURN SIGNAL SWITCH
 LIGHTS ON AUDIBLE WARNING UNIT
 RELAY — SIDE LIGHTS (LF10)
 SEAT BELT LOGIC UNIT

LOCATION

DRIVER'S 'A' POST
 SEAT BELT LATCH
 STEERING COLUMN, RIGHT
 STEERING COLUMN, LEFT
 LEFT COMPONENT PANEL
 LEFT FRONT COMPONENT PANEL
 RIGHT COMPONENT PANEL

ACCESS

LEFT DASH UNDER PANEL
 BASE OF LEFT SEAT MECHANISM
 COLUMN TRIM
 REMOVE STEERING COLUMN TRIM
 LEFT DASH UNDER PANEL
 LEFT DASH UNDER PANEL
 RIGHT DASH UNDER PANEL

CONNECTORS

CODE

DESCRIPTION

CS1 24-WAY SUMITOMO BLOCK (NATURAL)
 CS2 6-WAY SUMITOMO STD. (NATURAL)
 LB130 6-WAY PRESSAC PEKTRON
 LB188 2-WAY SUMITOMO STD. (NATURAL)
 LB203 2-WAY SUMITOMO STD. (NATURAL)
 LB286 RELAY BASE (NATURAL)
 LF1 18-WAY SUMITOMO BLOCK (BLACK)
 LF10 RELAY BASE (BLUE)
 RH161 20-WAY SUMITOMO BLOCK (WHITE)
 SB1 3-WAY PM 5 (GREEN)
 SB2 3-WAY PM 5 (NATURAL)
 SH13 3-WAY PM 5 (BLACK)

LOCATION / INTERFACE

STEERING COLUMN, LEFT / COLUMN SWITCH GEAR HARNESS
 LIGHTING STALK SWITCH GEAR / LIGHTING AND TURN SIGNAL SWITCH
 RIGHT COMPONENT PANEL / SEAT BELT LOGIC UNIT
 LEFT UNDER DASH 6 IN. FROM 'A' POST SWITCH / DRIVER'S DOOR SWITCH
 STEERING COLUMN UNDER DASH / KEY IN SWITCH
 LEFT COMPONENT PANEL / LIGHTS ON AUDIBLE WARNING UNIT
 LEFT 'A' POST / BULKHEAD HARNESS
 LEFT FRONT COMPONENT PANEL / SIDE LIGHTS RELAY
 BELOW LEFT A/C OUTLET / REAR HARNESS
 FRONT OF DRIVER'S SEAT / DRIVER'S SEAT BELT SWITCH
 BELOW DRIVER'S SEAT / DRIVER'S SEAT BELT SWITCH HARNESS
 BELOW DRIVER'S SEAT / DRIVER'S SEAT BELT SWITCH

GROUND S

CODE

DESCRIPTION

LBG161 EYELET
 LBG200 EYELET
 LBG261 EYELET
 RHG149 EYELET

LOCATION / INTERFACE

LEFT TRANSMISSION TUNNEL BY A/C SUPPORT / LOGIC GROUND
 LEFT 'A' POST FASCIA END PANEL / POWER GROUND
 RIGHT 'A' POST FASCIA END PANEL / POWER GROUND
 TRANSMISSION TUNNEL / LOGIC GROUND

INPUTS / OUTPUTS

SEAT BELT LOGIC UNIT

CODE

IN / OUT

CIRCUIT

LB130-1 IN SEAT BELT LOGIC
 LB130-2 IN KEY IN AUDIO BUZZER
 LB130-3 IN DRIVER'S SEAT BELT SWITCH
 LB130-4 OUT INSTRUMENT PACK SEAT BELT WARNING
 LB130-5 IN POWER GROUND
 LB130-6 IN IGNITION SWITCHED POWER

ACTIVE

12V
 DRIVER'S DOOR OPEN: GROUND
 BELT LATCHED: OPEN CIRCUIT
 APPROX. 7V
 GROUND
 12V

INACTIVE

12V
 DRIVER'S DOOR CLOSED: 12V
 BELT UNLATCHED: GROUND
 12V
 GROUND
 0V



BATTERY POWER

FIG 1

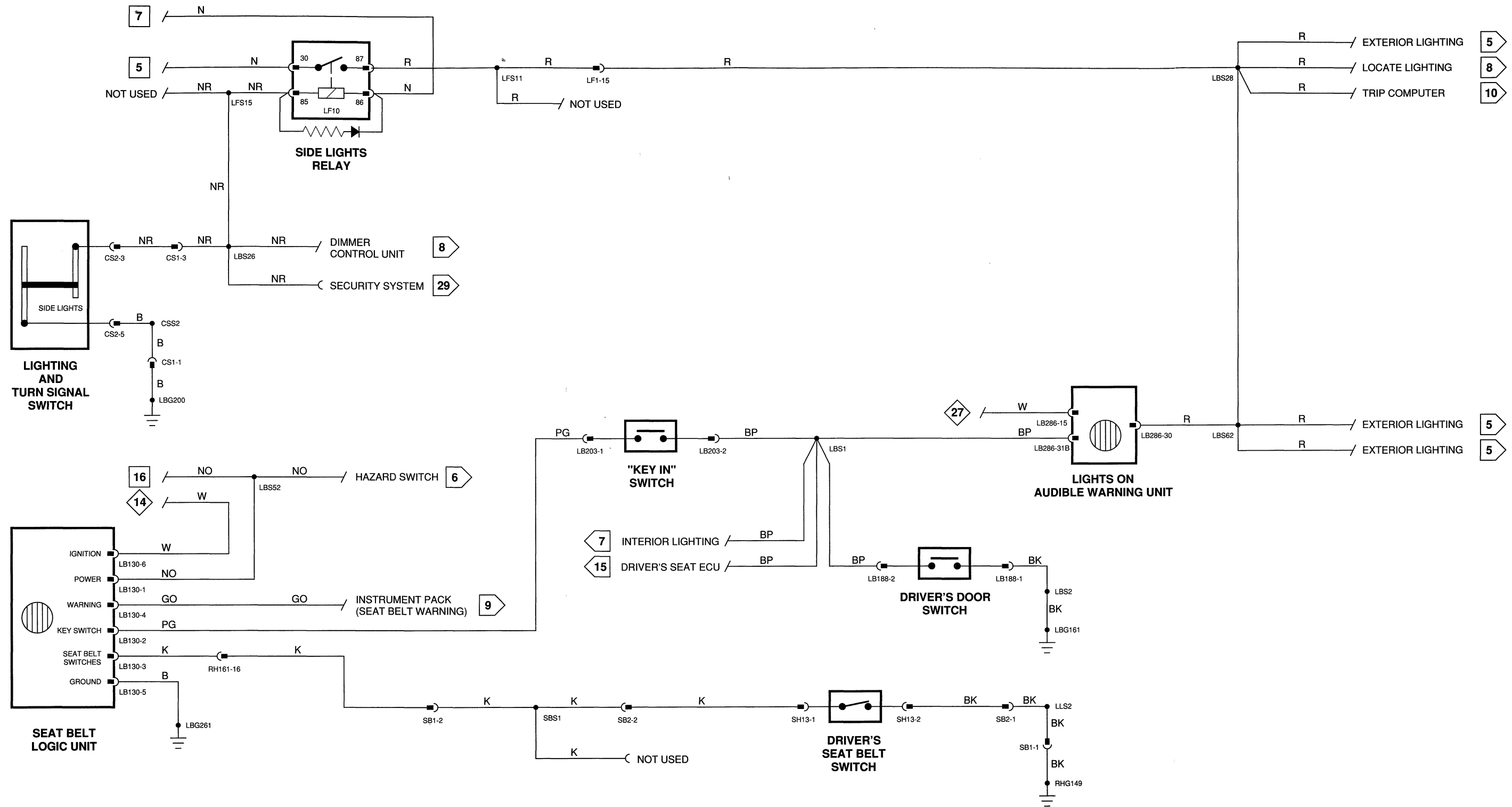


IGNITION POWER

FIG 2



FIG NUMBER REFERENCE



COMPONENTS

DESCRIPTION	LOCATION	ACCESS
DOOR LOCK CONTROL UNIT	INSIDE RIGHT 'A' POST	RIGHT DASH UNDER PANEL, 'A' POST TRIM
DRIVER'S DOOR LOCK MOTOR	DRIVER'S DOOR	REMOVE DOOR TRIM
FUEL FILLER FLAP SOLENOID	LEFT REAR FENDER	REMOVE LEFT TRUNK TRIM
PASSENGER'S DOOR LOCK MOTOR	PASSENGER'S DOOR	REMOVE DOOR TRIM
TRUNK LOCK MOTOR	ABOVE TRUNK LINKAGE	TRUNK LID

CONNECTORS

CODE	DESCRIPTION	LOCATION / INTERFACE
BL7	2-WAY SUMITOMO (NATURAL)	TRUNK LOCK / TRUNK LOCK MOTOR
BL11	10-WAY SUMITOMO STD. (NATURAL)	ABOVE EFI ECU / REAR HARNESS
DD5	6-WAY SUMITOMO STD. (WHITE)	DRIVER'S DOOR / DRIVER'S DOOR LOCK MOTOR
DD13	20-WAY SUMITOMO BLOCK (NATURAL)	LEFT 'A' POST / DD HARNESS
PD5	6-WAY SUMITOMO STD. (WHITE)	PASSENGER'S DOOR / PASSENGER'S DOOR LOCK MOTOR
PD13	20-WAY SUMITOMO BLOCK (YELLOW)	RIGHT 'A' POST / PD HARNESS
LB138	14-WAY REINSHAGEN (BLACK)	INSIDE RIGHT LOWER 'A' POST / DOOR LOCK CONTROL UNIT
RH125	3-WAY PM 5 (YELLOW)	TOP OF FUEL TANK AT FILLER NECK / FUEL FILLER FLAP SOLENOID
RH161	20-WAY SUMITOMO BLOCK (NATURAL)	BELOW LEFT A/C OUTLET / REAR HARNESS

GROUNDS

CODE	DESCRIPTION	LOCATION / INTERFACE
LBG161	EYELET	LEFT TRANSMISSION TUNNEL BY A/C SUPPORT / LOGIC GROUND

INPUTS / OUTPUTS

DOOR LOCK CONTROL UNIT

CODE	IN / OUT	CIRCUIT	ACTIVE	INACTIVE
LB138-1	OUT	LOCK MOTOR DRIVE	12V	0V
LB138-2	OUT	LOCK MOTOR DRIVE	12V	0V
LB138-3	IN	BATTERY POWER	12V	12V
LB138-4	IN	POWER GROUND	GROUND	GROUND
LB138-5	IN	IGNITION SWITCHED POWER	12V	0V
LB138-6	IN	DOOR LOCK INPUT	GROUND	OPEN CIRCUIT
LB138-7	IN	DOOR LOCK INPUT	GROUND	OPEN CIRCUIT



BATTERY POWER

FIG 1

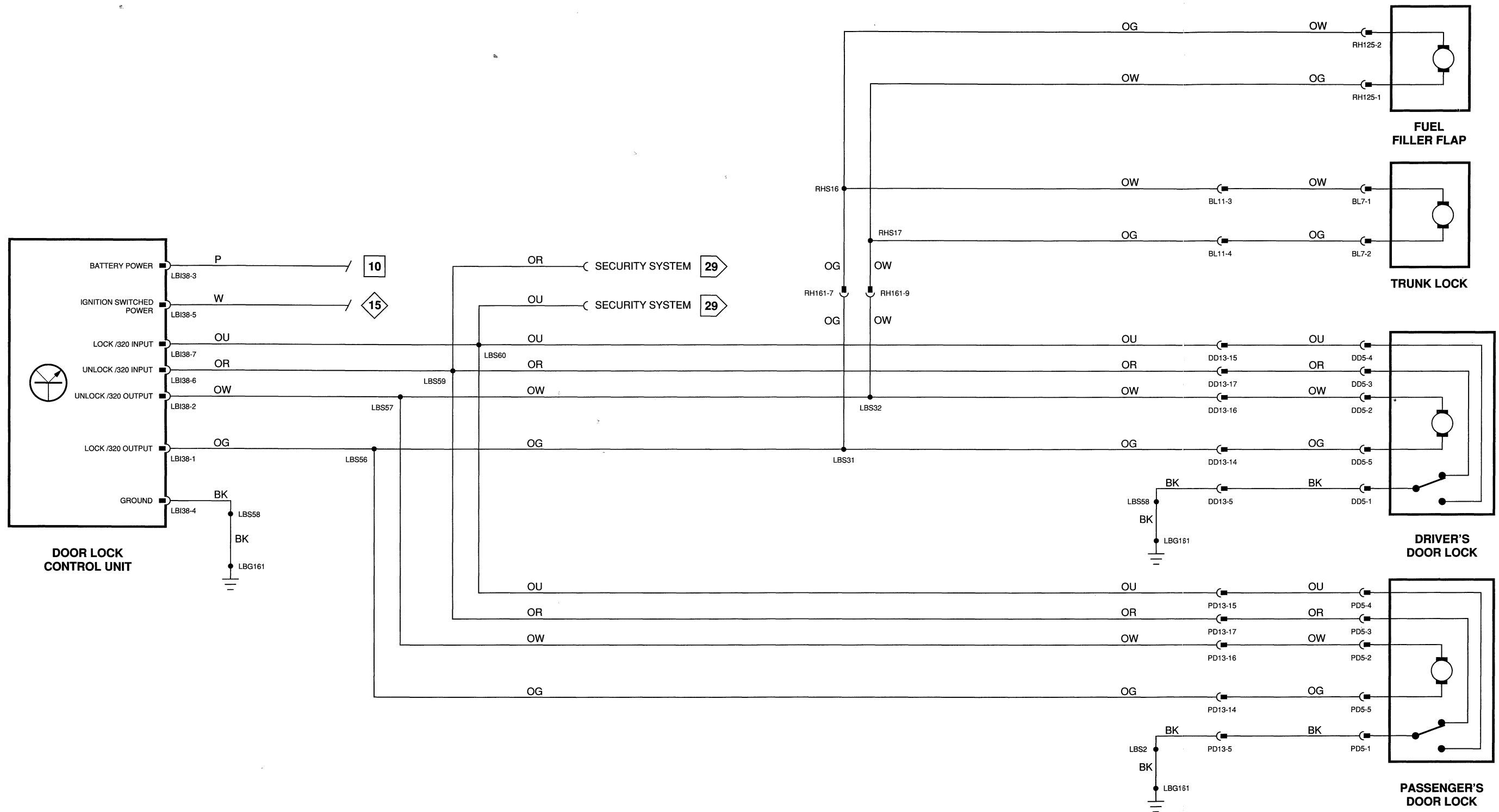


IGNITION POWER

FIG 2



FIG NUMBER REFERENCE



COMPONENTS

DESCRIPTION	LOCATION	ACCESS
DRIVER'S WINDOW MOTOR	DRIVER'S DOOR	REMOVE TRIM
DRIVER'S WINDOW SWITCH	CENTER CONSOLE, LEFT	—
PASSENGER'S WINDOW MOTOR	PASSENGER'S DOOR	REMOVE TRIM
PASSENGER'S WINDOW SWITCH	CENTER CONSOLE, RIGHT	—
WINDOW LIFT THERMAL BREAKER	RIGHT COMPONENT PANEL	RIGHT DASH UNDER PANEL

CONNECTORS

CODE	DESCRIPTION	LOCATION / INTERFACE
CH15	6-WAY SUMITOMO BLOCK (WHITE)	CENTER CONSOLE / DRIVER'S WINDOW SWITCH
CH16	6-WAY SUMITOMO BLOCK (WHITE)	CENTER CONSOLE / PASSENGER'S WINDOW SWITCH
CH17	10-WAY SUMITOMO BLOCK (NATURAL)	BELOW RIGHT A/C OUTLET / CENTER CONSOLE HARNESS
DD3	3-WAY PM 5 (BLACK)	DRIVER'S DOOR / DRIVER'S WINDOW LIFT MOTOR
DD13	20-WAY SUMITOMO BLOCK (YELLOW)	LEFT 'A' POST / DD HARNESS
LB128	SPADE	RIGHT COMPONENT PANEL / WINDOW LIFT THERMAL BREAKER
LB129	SPADE	RIGHT COMPONENT PANEL / WINDOW LIFT THERMAL BREAKER
PD3	3-WAY PM 5 (BLACK)	PASSENGER'S DOOR / PASSENGER'S WINDOW LIFT MOTOR
PD13	20-WAY SUMITOMO BLOCK (YELLOW)	RIGHT 'A' POST / PD HARNESS

GROUND

CODE	DESCRIPTION	LOCATION / INTERFACE
LBG271	EYELET	LEFT 'A' POST FASCIA END PANEL / POWER GROUND



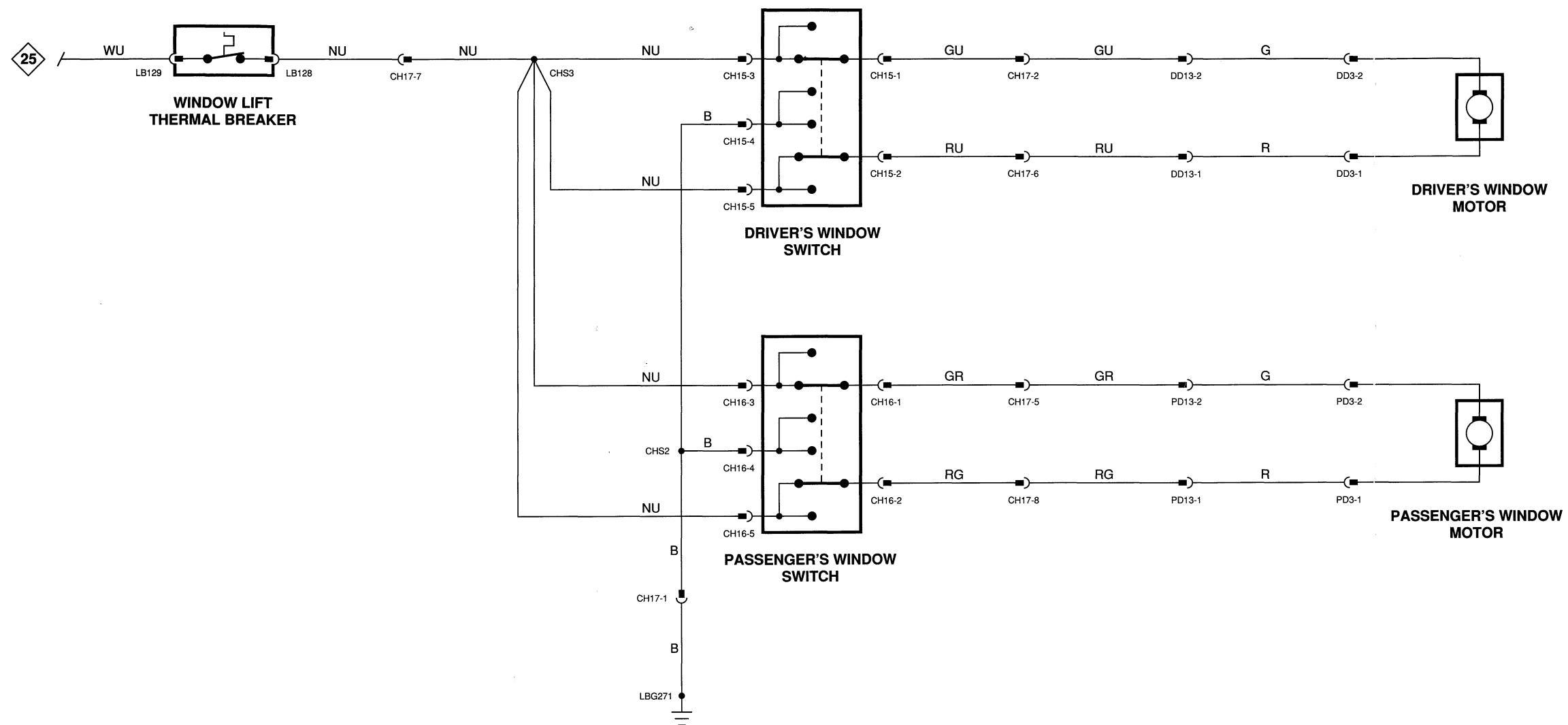


FIG 14

HORNS; CIGAR LIGHTERS; TRANSMISSION KICKDOWN

COMPONENTS

DESCRIPTION	LOCATION	ACCESS
CIGAR LIGHTER	CENTER CONSOLE	—
HORN SWITCH	STEERING WHEEL	—
KICKDOWN SWITCH	UNDER ACCELERATOR PEDAL	REMOVE DRIVER'S CARPET
LEFT HORN	BELOW FRONT BUMPER, CENTER LEFT	—
RELAY — HORN (RF2)	RIGHT FRONT COMPONENT PANEL	ENGINE COMPARTMENT, RIGHT
RIGHT HORN	BELOW FRONT BUMPER, CENTER RIGHT	—
TRANSMISSION KICKDOWN SOLENOID	INSIDE TRANSMISSION OIL PAN	REMOVE TRANSMISSION PAN

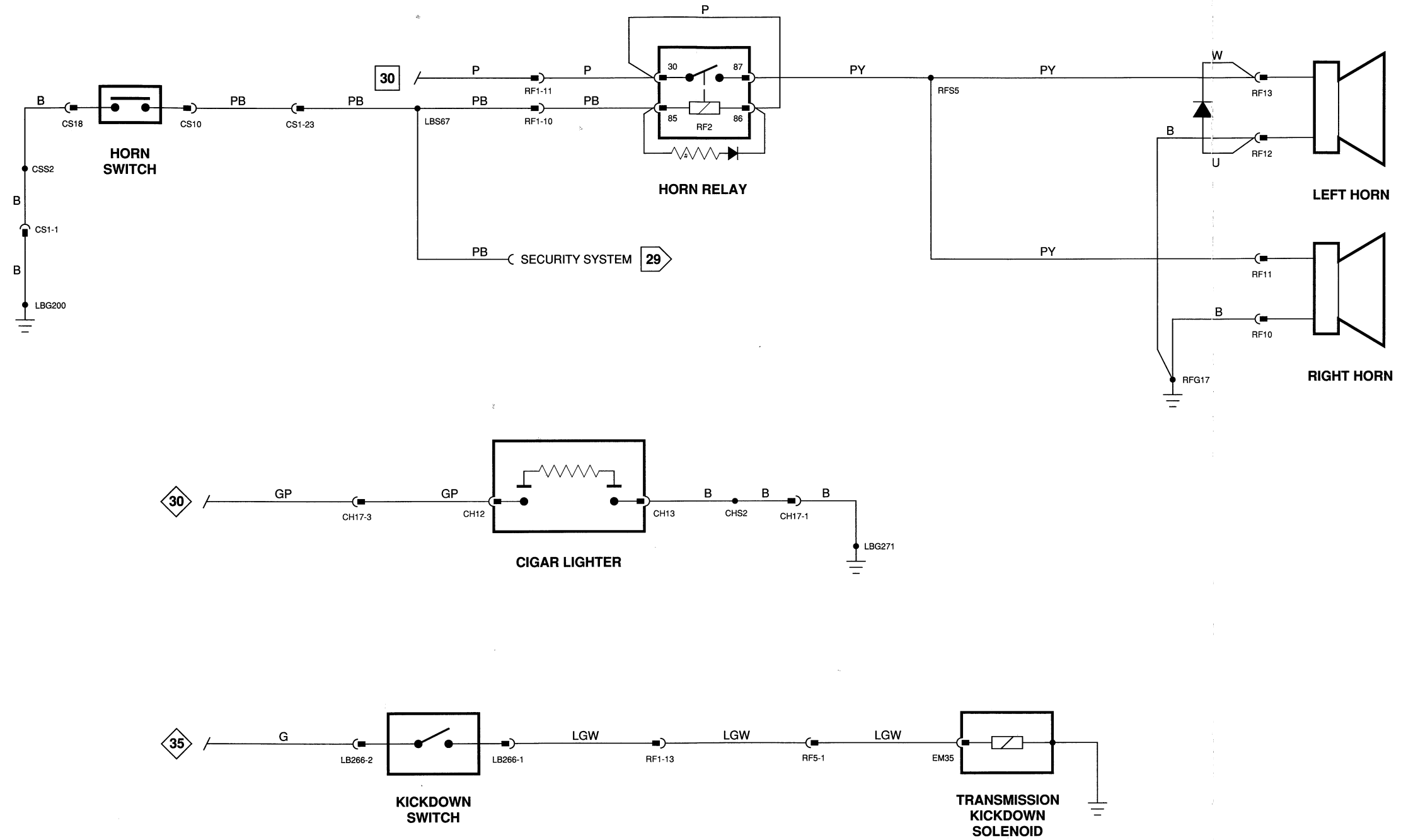
CONNECTORS

CODE	DESCRIPTION	LOCATION / INTERFACE
CH12	WHITE SOCKET	CENTER CONSOLE / CIGAR LIGHTER
CH13	SPADE (BLACK)	CENTER CONSOLE / CIGAR LIGHTER GROUND
CH17	10-WAY SUMITOMO BLOCK (NATURAL)	BELOW RIGHT A/C OUTLET / CENTER CONSOLE HARNESS
CS1	24-WAY SUMITOMO BLOCK (NATURAL)	ADJACENT TO STEERING COLUMN / COLUMN SWITCH GEAR HARNESS
CS10	SOCKET	BEHIND STEERING WHEEL / HORN SWITCH
CS18	SOCKET	STEERING COLUMN / HORN GROUNDING RING
EM35	SPADE	TRANSMISSION CASE CONNECTOR / KICKDOWN SOLENOID
LB266	3-WAY PM 5 (PURPLE)	UNDER CARPET BEHIND ACCELERATOR / KICKDOWN SWITCH
RF1	18-WAY SUMITOMO BLOCK (BLACK)	RIGHT 'A' POST / RF HARNESS
RF2	RELAY BASE (BLACK)	RIGHT FRONT COMPONENT PANEL / HORN RELAY
RF5	9-WAY PM 4 (BLACK)	BEHIND BANK A CYLINDER HEAD / KICKDOWN SWITCH
RF10	SPADE	RIGHT FRONT HORN / HORN
RF11	SPADE	RIGHT FRONT HORN / HORN
RF12	SPADE	LEFT FRONT HORN / HORN
RF13	SPADE	LEFT FRONT HORN / HORN

GROUNDS

CODE	DESCRIPTION	LOCATION / INTERFACE
LBG200	EYELET	FRONT RIGHT INNER FENDER BEHIND HORN RELAY / POWER GROUND
LBG271	EYELET	LEFT 'A' POST FASCIA END PANEL / POWER GROUND
RFG17	EYELET	FRONT RIGHT INNER FENDER BEHIND HORN RELAY / POWER GROUND





COMPONENTS

DESCRIPTION	LOCATION	ACCESS
DRIVER'S DOOR SWITCH	LEFT 'A' POST	LEFT DASH UNDER PANEL
DRIVER'S DOOR SWITCH PACK	DRIVER'S DOOR	REMOVE TRIM
DRIVER'S SEAT AND MIRROR ECU	FRONT OF DRIVER'S SEAT	REMOVE FOOTWELL COVER
MIRROR ADJUST SWITCH	RIGHT OF STEERING COLUMN ON FASCIA	LEFT DASH UNDER PANEL
REVERSE SWITCH	GEARSHIFT SELECTOR	CENTER CONSOLE

CONNECTORS

CODE	DESCRIPTION	LOCATION / INTERFACE
DD1	4-WAY SUMITOMO SEALED (GREEN)	INNER DRIVER'S DOOR BELOW MIRROR / DRIVER'S MIRROR MOTORS
DD2	6-WAY SUMITOMO SEALED (GREEN)	INNER DRIVER'S DOOR BELOW MIRROR / DRIVER'S MIRROR MOTORS
DD4	14-WAY SUMITOMO BLOCK (NATURAL)	BEHIND DRIVER'S DOOR TRIM / DRIVER'S DOOR SWITCH PACK
DD12	16-WAY SUMITOMO BLOCK (GREEN)	LEFT 'A' POST / DD HARNESS
DD13	20-WAY SUMITOMO BLOCK (YELLOW)	LEFT INNER 'A' POST / DD HARNESS
DS1	20-WAY SUMITOMO BLOCK (RED)	LEFT 'A' POST / DRIVER'S SEAT HARNESS
DS2	48-WAY GROTE & HARTMAN (BLACK)	UNDER CARPET, FRONT OF DRIVER'S SEAT / DRIVER'S SEAT AND MIRROR ECU
DS3	12-WAY AMP PCB POWER (BLACK)	UNDER CARPET, FRONT OF DRIVER'S SEAT / DRIVER'S SEAT AND MIRROR ECU
DS6	20-WAY SUMITOMO BLOCK (NATURAL)	LEFT 'A' POST / DRIVER'S SEAT HARNESS
GS1	6-WAY SUMITOMO STD. (NATURAL)	BELOW RIGHT A/C OUTLET/ GEAR SELECT HARNESS
LB171	8-WAY MULTI-PLUG (BLACK)	BEHIND MIRROR SWITCH / MIRROR ADJUST SWITCH PACK
LB188	2-WAY SUMITOMO STD. (NATURAL)	LEFT DASH UNDER PANEL 6 IN. FROM DOOR SWITCH / DRIVER'S DOOR SWITCH
PD1	4-WAY SUMITOMO SEALED (GREEN)	INNER PASSENGER'S DOOR BELOW MIRROR / PASSENGER'S MIRROR MOTORS
PD2	6-WAY SUMITOMO SEALED (GREEN)	INNER PASSENGER'S DOOR BELOW MIRROR / PASSENGER'S MIRROR MOTORS
PD13	20-WAY SUMITOMO BLOCK (YELLOW)	RIGHT INNER 'A' POST / PD HARNESS
SM1	19-WAY AMP PCB POWER (BLACK)	FRONT OF DRIVER'S SEAT / ECU OUTPUT TO SEAT MOTORS
SM5	5-WAY AMP (BLUE)	BELOW DRIVER'S SEAT PAD / DRIVER'S SEAT RECLINE MOTOR
SM6	3-WAY PM 5 (YELLOW)	BELOW DRIVER'S SEAT PAD / DRIVER'S SEAT LUMBAR PUMP
SM7	5-WAY AMP (BLACK)	BELOW DRIVER'S SEAT PAD / DRIVER'S SEAT FORE/AFT MOTOR

GROUNDINGS

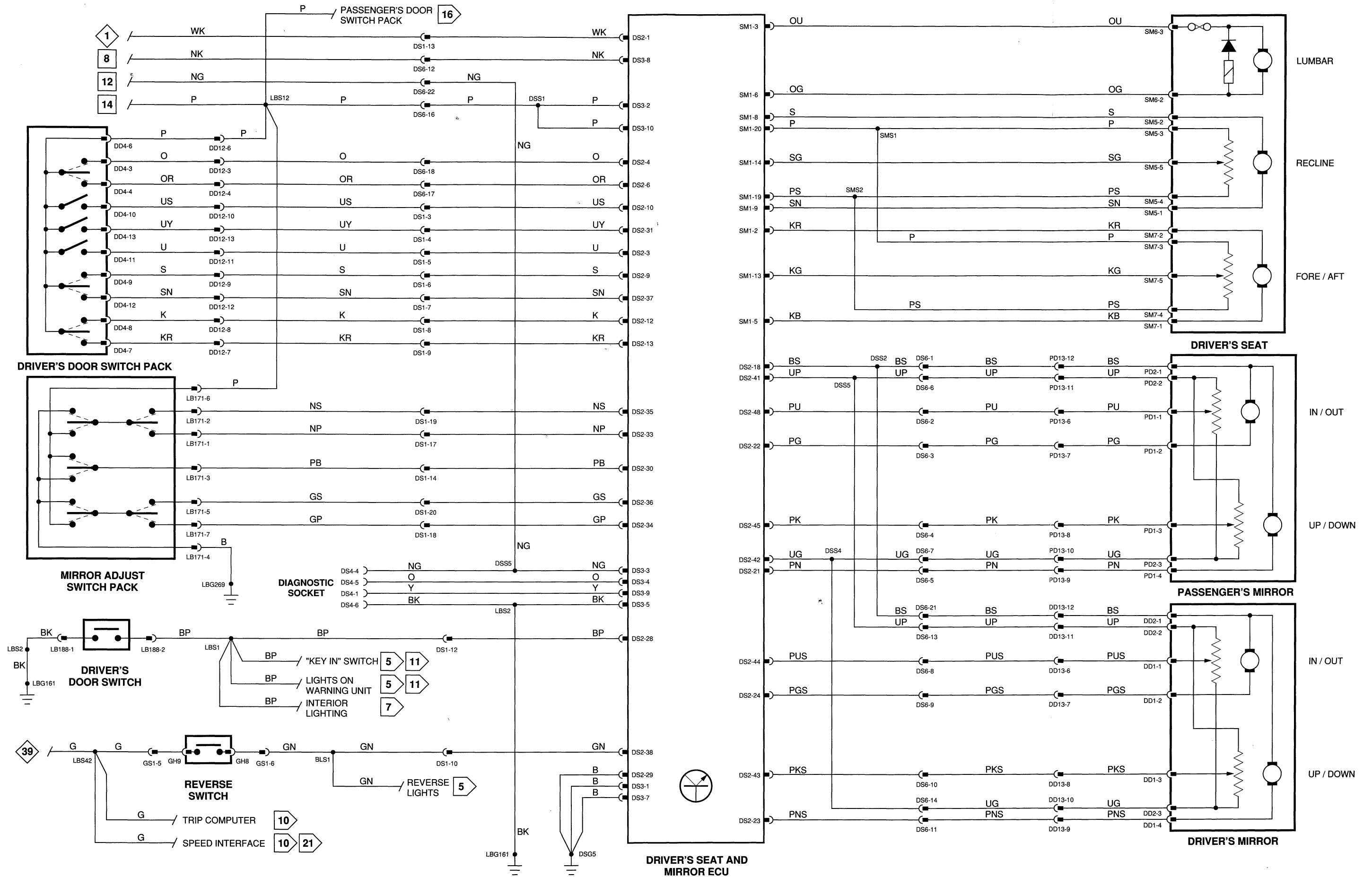
CODE	DESCRIPTION	LOCATION / INTERFACE
DSG5	EYELET	UNDER PANEL BELOW DRIVER'S SEAT / POWER GROUND
LBG161	EYELET	LEFT TRANSMISSION TUNNEL BY A/C SUPPORT / LOGIC GROUND
LBG269	EYELET	LEFT 'A' POST FASCIA END PANEL / POWER GROUND

INPUTS / OUTPUTS

DRIVER'S SEAT AND MIRROR ECU NOTE: TO CHECK POTENTIOMETER VOLTAGES DEPRESS "M" BUTTON

CODE	IN / OUT	CIRCUIT	ACTIVE	INACTIVE
DS2-1	IN	IGNITION SWITCHED POWER	12V	0V
DS2-3	IN	SEAT MEMORY "M"	BUTTON IN: 12V	BUTTON OUT: 0V
DS2-4	IN	DRIVER'S LUMBAR PUMP INFLATE	BUTTON IN: 12V	BUTTON OUT: 0V
DS2-6	IN	DRIVER'S LUMBAR PUMP DEFLATE	BUTTON IN: 12V	BUTTON OUT: 0V
DS2-9	IN	DRIVER'S SEAT BACK UP	BUTTON IN: 12V	BUTTON OUT: 0V
DS2-10	IN	SEAT MEMORY "1"	12V	0V
DS2-12	IN	DRIVER'S SEAT MOTOR AFT	BUTTON IN: 12V	BUTTON OUT: 0V
DS2-13	IN	DRIVER'S SEAT MOTOR FORWARD	BUTTON IN: 12V	BUTTON OUT: 0V
DS2-18	OUT	PASSENGER'S MIRROR MOTOR DRIVE	IN OR DOWN POSITION: 12V	0V
DS2-21	OUT	PASSENGER'S MIRROR MOTOR DRIVE	IN OR UP POSITION: 12V	0V
DS2-22	OUT	PASSENGER'S MIRROR MOTOR DRIVE	DOWN OR OUT POSITION: 12V	0V
DS2-23	OUT	DRIVER'S MIRROR MOTOR DRIVE	UP OR OUT POSITION: 12V	0V
DS2-24	OUT	DRIVER'S MIRROR MOTOR DRIVE	IN OR DOWN POSITION: 12V	0V
DS2-28	IN	DRIVER'S 'A' POST SWITCH	DOOR OPEN: GROUND	DOOR CLOSED: 12V
DS2-29	OUT	POWER GROUND	GROUND	GROUND
DS2-30	IN	("REVERSE SELECT") MIRROR MOTOR DRIVE	MIRROR BUTTON PRESSED: 12V	BUTTON RELEASED: 0V
DS2-31	IN	SEAT MEMORY "2"	BUTTON IN: 12V	BUTTON OUT: 0V
DS2-33	IN	DRIVER'S MIRROR UP	12V	0V
DS2-34	IN	DRIVER'S MIRROR IN	12V	0V
DS2-35	IN	PASSENGER'S MIRROR UP	12V	0V
DS2-36	IN	PASSENGER'S MIRROR OUT	12V	0V
DS2-37	IN	DRIVER'S SEAT BACK RECLINE	BUTTON IN: 12V	BUTTON OUT: 0V
DS2-38	IN	REVERSE SWITCH	"R" SELECTED: 12V	0V
DS2-41	OUT	MIRROR POTENTIOMETER REF. VOLTAGE	"M" DEPRESSED: APPROX. 4.5V	0V
DS2-42	OUT	MIRROR POTENTIOMETER GROUND	GROUND	GROUND
DS2-43	IN	DRIVER'S MIRROR POTENTIOMETER SWEEP	MIRROR FULL UP: APPROX. 4.5V	DOWN: .3V
DS2-44	IN	DRIVER'S MIRROR POTENTIOMETER SWEEP	MIRROR FULL OUT: APPROX. 1V	IN: 3.5V
DS2-45	IN	PASSENGER'S MIRROR POTENTIOMETER SWEEP	MIRROR FULL UP: APPROX. 4.5V	DOWN .3V
DS2-48	IN	PASSENGER'S MIRROR POTENTIOMETER SWEEP	MIRROR FULL OUT: APPROX. 3.5V	IN 1V
DS3-1	IN	POWER GROUND	GROUND	GROUND
DS3-2	IN	BATTERY POWER	12V	12V
DS3-3	IN	BATTERY POWER	12V	12V
DS3-4	OUT	DIAGNOSTIC SOCKET	—	—
DS3-5	OUT	DIAGNOSTIC SOCKET	—	—
DS3-7	IN	POWER GROUND	GROUND	GROUND
DS3-8	IN	BATTERY POWER	12V	12V
DS3-9	OUT	DIAGNOSTIC SOCKET	—	—
DS3-10	IN	BATTERY POWER	12V	12V
SM1-2	OUT	DRIVER'S SEAT FORE/AFT MOTOR	12V	0V
SM1-3	OUT	DRIVER'S LUMBAR PUMP	12V	0V
SM1-5	OUT	DRIVER'S SEAT FORE/AFT MOTOR	12V	0V
SM1-6	OUT	DRIVER'S LUMBAR PUMP	12V	0V
SM1-8	OUT	DRIVER'S SEAT RECLINE MOTOR	12V	0V
SM1-9	OUT	DRIVER'S SEAT RECLINE MOTOR	12V	0V
SM1-13	IN	DRIVER'S SEAT FORE/AFT POTENTIOMETER	FULL BACK: APPROX. 0.3V	FORWARD: 4.0V
SM1-14	IN	DRIVER'S SEAT RECLINE POTENTIOMETER	RECLINED: 4.0V	VERTICAL: 1.0V
SM1-19	OUT	DRIVER'S SEAT POTENTIOMETER REFERENCE GROUND	GROUND	GROUND
SM1-20	OUT	DRIVER'S SEAT POTENTIOMETER REFERENCE VOLTAGE	"M" DEPRESSED: APPROX. 4.5V	0V





COMPONENTS

DESCRIPTION	LOCATION	ACCESS
PASSENGER'S DOOR SWITCH	RIGHT 'A' POST	—
PASSENGER'S DOOR SWITCH PACK	PASSENGER'S DOOR	REMOVE TRIM
PASSENGER'S SEAT CONTROL UNIT	IN FRONT OF PASSENGER'S SEAT	REMOVE FOOTWELL COVER

CONNECTORS

CODE	DESCRIPTION	LOCATION / INTERFACE
LB140	2-WAY SUMITOMO STD. (NATURAL)	LEFT DASH UNDER PANEL 6 IN. FROM DOOR SWITCH / PASSENGER'S DOOR SWITCH
PD4	14-WAY SUMITOMO BLOCK (NATURAL)	BEHIND PASSENGER'S DOOR TRIM / PASSENGER'S DOOR SWITCH PACK
PD12	16-WAY SUMITOMO BLOCK (GREEN)	RIGHT 'A' POST / PD HARNESS
PS1	20-WAY SUMITOMO BLOCK (RED)	RIGHT 'A' POST / PASSENGER'S SEAT HARNESS
PS2	48-WAY GROTE & HARTMAN (BLACK)	UNDER CARPET, FRONT OF PASSENGER'S SEAT / PASSENGER'S SEAT CONTROL UNIT
PS3	12-WAY AMP PCB (BLACK)	UNDER CARPET, FRONT OF PASSENGER'S SEAT / PASSENGER'S SEAT CONTROL UNIT
SN1	12-WAY AMP PCB (YELLOW)	UNDER CARPET, FRONT OF PASSENGER'S SEAT / PASSENGER'S SEAT CONTROL UNIT
SN6	3-WAY PM 5 (YELLOW)	BELOW PASSENGER'S SEAT PAD / PASSENGER'S SEAT LUMBAR PUMP
SN5	5-WAY AMP (BLUE)	BELOW PASSENGER'S SEAT PAD / PASSENGER'S SEAT RECLINE MOTOR
SN7	5-WAY AMP (BLACK)	BELOW PASSENGER'S SEAT PAD / PASSENGER'S SEAT FORE/AFT MOTOR

GROUND

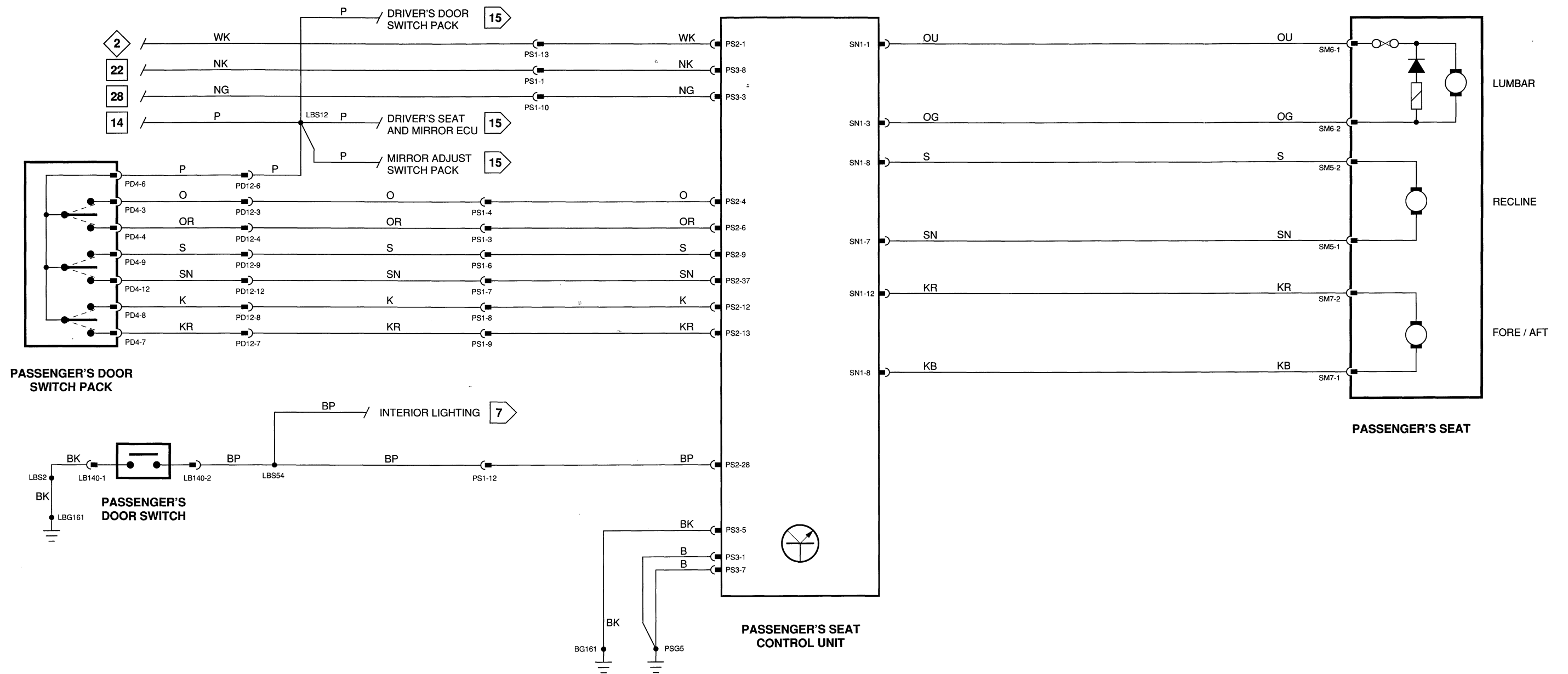
CODE	DESCRIPTION	LOCATION / INTERFACE
LBG161	EYELET	LEFT TRANSMISSION TUNNEL BY A/C SUPPORT / LOGIC GROUND
PSG5	EYELET	UNDER PANEL BELOW PASSENGER'S SEAT / POWER GROUND

INPUTS / OUTPUTS

PASSENGER SEAT CONTROL UNIT

CODE	IN / OUT	CIRCUIT	ACTIVE	INACTIVE
PS2-1	IN	IGNITION SWITCHED POWER	12V	0V
PS2-4	IN	PASSENGER'S LUMBAR PUMP INFLATE	BUTTON IN: 12V	BUTTON OUT: 0V
PS2-6	IN	PASSENGER'S LUMBAR PUMP DEFLATE	BUTTON IN: 12V	BUTTON OUT: 0V
PS2-9	IN	PASSENGER'S SEAT BACK UP SWITCH	BUTTON IN: 12V	BUTTON OUT: 0V
PS2-12	IN	PASSENGER'S SEAT AFT SWITCH	BUTTON IN: 12V	BUTTON OUT: 0V
PS2-13	IN	PASSENGER'S SEAT FORWARD SWITCH	BUTTON IN: 12V	BUTTON OUT: 0V
PS2-28	IN	PASSENGER'S 'A' POST SWITCH	DOOR OPEN: GROUND	DOOR CLOSED: 12V
PS2-37	IN	PASSENGER'S SEAT BACK RECLINE	BUTTON IN: 12V	BUTTON OUT: 0V
PS3-1	IN	POWER GROUND	GROUND	GROUND
PS3-3	IN	BATTERY POWER	12V	12V
PS3-5	IN	LOGIC GROUND	GROUND	GROUND
PS3-7	IN	POWER GROUND	GROUND	GROUND
PS3-8	IN	BATTERY POWER	12V	12V
SN1-1	OUT	PASSENGER'S LUMBAR PUMP	12V	0V
SN1-3	OUT	PASSENGER'S LUMBER PUMP	12V	0V
SN1-6	OUT	PASSENGER'S SEAT RECLINE MOTOR	12V	0V
SN1-7	OUT	PASSENGER'S SEAT RECLINE MOTOR	12V	0V
SN1-8	OUT	PASSENGER'S SEAT FORE/AFT MOTOR	12V	0V
SN1-12	OUT	PASSENGER'S SEAT FORE/AFT MOTOR	12V	0V





COMPONENTS

DESCRIPTION	LOCATION	ACCESS
DRIVER'S DOOR SWITCH PACK	DRIVER'S DOOR	REMOVE TRIM
DRIVER'S SEAT HEATERS	DRIVER'S SEAT CUSHION	
DRIVER'S SEAT HEATER CONTROL UNIT	FRONT OF DRIVER'S SEAT	REMOVE SEAT ECU COVER
FUSE PANEL — LEFT	LEFT COMPONENT PANEL	LEFT DASH UNDER PANEL
FUSE PANEL — RIGHT	RIGHT COMPONENT PANEL	RIGHT DASH UNDER PANEL
PASSENGER'S DOOR SWITCH PACK	PASSENGER'S DOOR	REMOVE TRIM
PASSENGER'S SEAT HEATERS	PASSENGER'S SEAT CUSHION	
PASSENGER'S SEAT HEATER CONTROL UNIT	FRONT OF PASSENGER'S SEAT	REMOVE SEAT ECU COVER
RELAY — SEAT HEATER (LB283)	RIGHT COMPONENT PANEL	RIGHT DASH UNDER PANEL

CONNECTORS

CODE	DESCRIPTION	LOCATION / INTERFACE
DD4	14-WAY SUMITOMO STD. (NATURAL)	DRIVER'S DOOR / DRIVER'S DOOR SWITCH PACK
DD12	16-WAY SUMITOMO BLOCK	DRIVER'S LEFT 'A' POST / BULKHEAD HARNESS
DS1	20-WAY SUMITOMO BLOCK (RED)	LEFT 'A' POST / DRIVER'S SEAT HARNESS
DS7	5-WAY AMP (GREEN)	FRONT OF DRIVER'S SEAT / SEAT HEATER CONTROL UNIT
LB263	FUSE PANEL	LEFT UNDER DASH / BULKHEAD HARNESS
LB268	FUSE PANEL	RIGHT UNDER DASH / BULKHEAD HARNESS
LB283	RELAY BASE (NATURAL)	RIGHT COMPONENT PANEL / SEAT HEATER RELAY
PD4	14-WAY SUMITOMO STD. (NATURAL)	PASSENGER'S DOOR / PASSENGER'S DOOR SWITCH PACK
PD12	16-WAY SUMITOMO BLOCK (GREEN)	RIGHT 'A' POST / BULKHEAD HARNESS
PS1	16-WAY SUMITOMO BLOCK (GREEN)	RIGHT 'A' POST / BULKHEAD HARNESS
PS7	5-WAY AMP (GREEN)	FRONT OF PASSENGER'S SEAT / PASSENGER'S SEAT HEATER CONTROL UNIT
SM2	5-WAY AMP (BLACK)	FRONT OF DRIVER'S SEAT / SEAT HEATER CONTROL UNIT
SM4	5-WAY AMP (WHITE)	BELOW DRIVER'S SEAT / SEAT HEATER ELEMENT
SN2	5-WAY AMP (BLACK)	FRONT OF PASSENGER'S SEAT / PASSENGER'S SEAT HEATER CONTROL UNIT
SN4	5-WAY AMP (WHITE)	BELOW PASSENGER'S SEAT / SEAT HEATER ELEMENT

GROUND

CODE	DESCRIPTION	LOCATION / INTERFACE
DSG5	EYELET	UNDER PANEL BELOW DRIVER'S SEAT / POWER GROUND
LBG200	EYELET	LEFT 'A' POST FASCIA END PANEL / POWER GROUND
LBG261	EYELET	RIGHT 'A' POST FASCIA END PANEL / POWER GROUND
PSG5	EYELET	UNDER PANEL BELOW PASSENGER'S SEAT / POWER GROUND

INPUTS / OUTPUTS

DRIVER'S SEAT HEATER CONTROL UNIT

CODE	IN / OUT	CIRCUIT	ACTIVE	INACTIVE
DS7-1	IN	POWER GROUND	GROUND	GROUND
DS7-2	IN	IGNITION SWITCHED POWER	12V	0V
DS7-3	OUT	HEATER CONTROL UNIT	HEATER ON: 8V	OPEN CIRCUIT
DS7-4	IN	DRIVER'S SEAT HEATER "ON" BUTTON	BUTTON IN: GROUND	BUTTON OUT: 12V
SM2-1	IN	DRIVER'S SEAT HEATER ELEMENT GROUND	GROUND	OPEN CIRCUIT
SM2-2	OUT	DRIVER'S SEAT HEATER ELEMENT	12V	GROUND
SM2-3	IN	SEAT HEATER THERMOSTAT INPUT (ROOM TEMP.)	HEATER ON: APPROX. 9V	KEY OFF: 0V
SM2-4	OUT	SEAT HEATER THERMOSTAT REFERENCE VOLTAGE	APPROX.12V	KEY OFF: 0V

PASSENGER'S SEAT CONTROL UNIT

CODE	IN / OUT	CIRCUIT	ACTIVE	INACTIVE
PS7-1	IN	POWER GROUND	GROUND	GROUND
PS7-2	IN	IGNITION SWITCHED POWER	12V	0V
PS7-3	OUT	HEATER CONTROL UNIT	HEATER ON: 8V	OPEN CIRCUIT
PS7-4	IN	PASSENGER'S SEAT HEATER "ON" BUTTON	BUTTON IN: GROUND	BUTTON OUT: 12V
SM2-1	IN	PASSENGER'S SEAT HEATER ELEMENT GROUND	GROUND	OPEN CIRCUIT
SM2-2	OUT	PASSENGER'S SEAT HEATER ELEMENT	12V	GROUND
SM2-3	IN	SEAT HEATER THERMOSTAT INPUT (ROOM TEMP.)	HEATER ON: APPROX. 9V	KEY OFF: 0V
SM2-4	OUT	SEAT HEATER THERMOSTAT REFERENCE VOLTAGE	APPROX.12V	KEY OFF: 0V

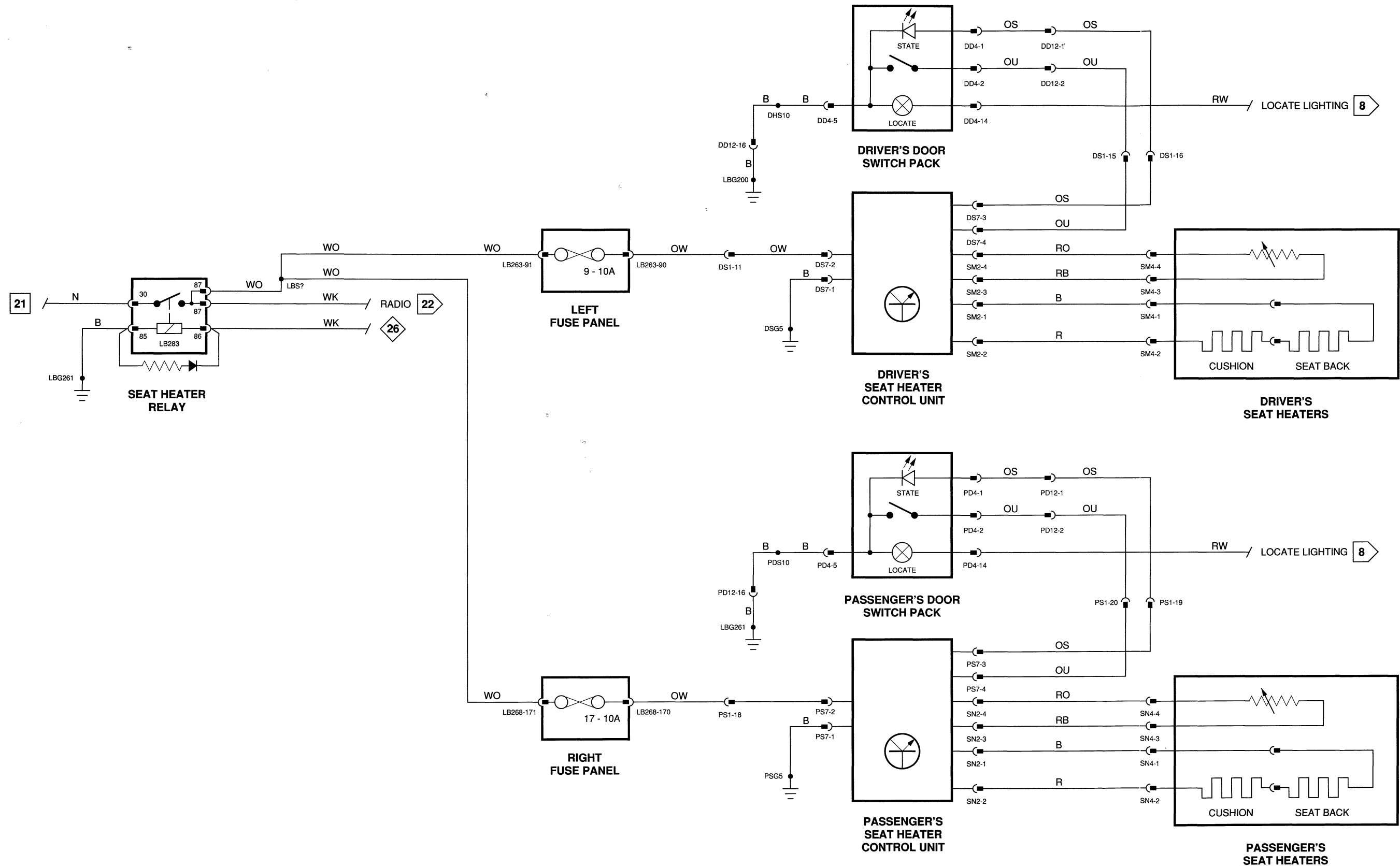


FIG 18

HEATED REAR WINDOW; MIRROR HEATERS

COMPONENTS

DESCRIPTION	LOCATION	ACCESS
HEATED REAR WINDOW SWITCH	LEFT OF TRIP COMPUTER	SNAP IN BEZEL
HEATED REAR WINDOW TIMER	LEFT COMPONENT PANEL	LEFT DASH UNDER PANEL
OVERRIDE SWITCH	LEFT REAR CONVERTIBLE TOP MECHANISM	BEHIND TRIM COVER

CONNECTORS

CODE	DESCRIPTION	LOCATION / INTERFACE
BN2	10-WAY SUMITOMO STD. (NATURAL)	BEHIND HEATED REAR WINDOW SW. / HEATED REAR WINDOW SWITCH
BN5	20-WAY SUMITOMO BLOCK (NATURAL)	BELOW RIGHT A/C OUTLET / BINNACLE HARNESS
DD2	6-WAY SUMITOMO SEALED (GREEN)	INNER DRIVER'S DOOR BELOW MIRROR / MIRROR HEATER
DD13	20-WAY SUMITOMO BLOCK (YELLOW)	LEFT 'A' POST / DD HARNESS
LB173	RELAY BASE (BLUE)	LEFT COMPONENT PANEL / HEATED REAR WINDOW TIMER
PD2	6-WAY SUMITOMO SEALED (GREEN)	INNER PASSENGER'S DOOR BELOW MIRROR / MIRROR HEATER
PD13	20-WAY SUMITOMO BLOCK (YELLOW)	RIGHT 'A' POST / PD HARNESS
RH10	SPADE	REAR WINDSCREEN / REAR WINDOW HEATER GRID
RH148	SPADE	CONVERTIBLE TOP LINKAGE, LEFT / OVERRIDE SWITCH
RH160	14-WAY SUMITOMO BLOCK (NATURAL)	BELOW RIGHT A/C OUTLET / REAR HARNESS
RH161	20-WAY SUMITOMO BLOCK (NATURAL)	BELOW LEFT A/C OUTLET / REAR HARNESS

GROUNDS

CODE	DESCRIPTION	LOCATION / INTERFACE
DDHG10L	EYELET	LEFT DOOR BELOW MIRROR / POWER GROUND
LBG200	EYELET	LEFT 'A' POST FASCIA END PANEL / POWER GROUND
LBG271	EYELET	LEFT 'A' POST FASCIA END PANEL / POWER GROUND
PDHG10R	EYELET	RIGHT DOOR BELOW MIRROR / POWER GROUND



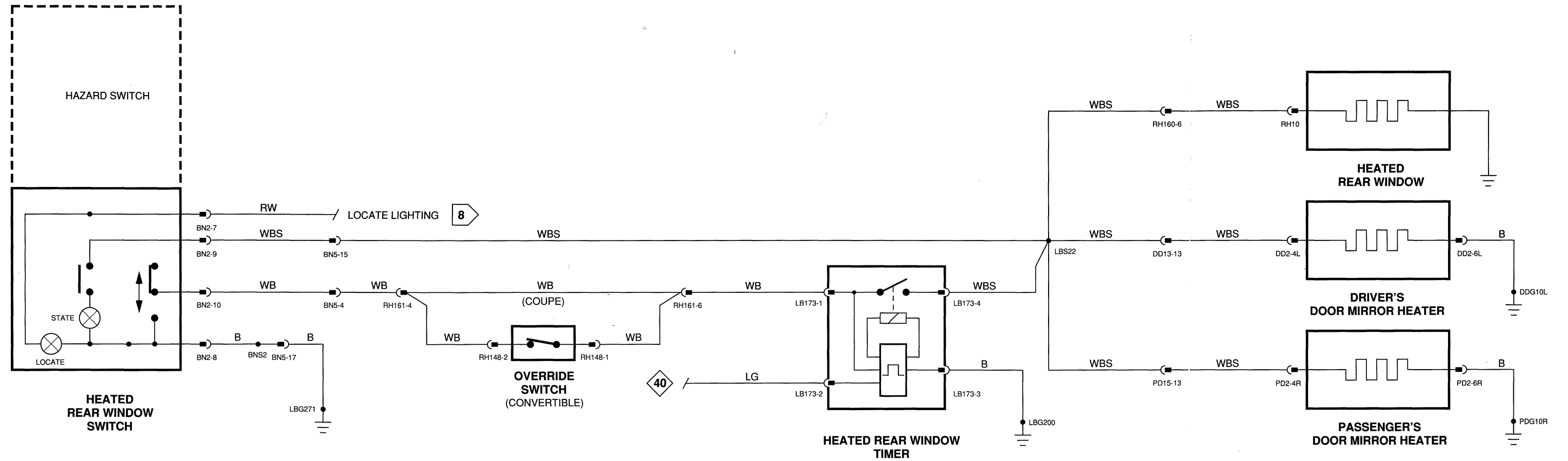


FIG 19

WINDSHIELD WIPERS; WINDSHIELD AND HEADLIGHT WASHERS

COMPONENTS

DESCRIPTION	LOCATION	ACCESS
AMBIENT TEMPERATURE SENSOR	IN FRONT OF A/C CONDENSER, RIGHT	BELOW FRONT BUMPER
WIPER SWITCH	RIGHT STEERING COLUMN	REMOVE COLUMN TRIM
WIPER LOGIC UNIT	BEHIND RIGHT COMPONENT PANEL	RIGHT DASH UNDER PANEL
WIPER MOTOR UNIT	FRONT PLENUM	REMOVE COWL
WASHER PUMPS	RIGHT FRONT FENDER	INNER FENDER TRIM

CONNECTORS

CODE	DESCRIPTION	LOCATION / INTERFACE
CS1	24-WAY SUMITOMO BLOCK (NATURAL)	ADJACENT TO STEERING COLUMN / BULKHEAD HARNESS
CS4	4-WAY SUMITOMO STD. (RED)	STEERING COLUMN ABOVE IGNITION SWITCH / WIPER SWITCH
CS13	SPADE	STEERING COLUMN ABOVE IGNITION SWITCH / WIPER SWITCH
CS14	SPADE	STEERING COLUMN ABOVE IGNITION SWITCH / WIPER SWITCH
CS15	SPADE	STEERING COLUMN ABOVE IGNITION SWITCH / WIPER SWITCH
CS16	SPADE	STEERING COLUMN ABOVE IGNITION SWITCH / WIPER SWITCH
CS17	SPADE	STEERING COLUMN ABOVE IGNITION SWITCH / WIPER SWITCH
LB148	16-WAY SUMITOMO BLOCK (NATURAL)	BEHIND RIGHT COMPONENT PANEL / WIPER LOGIC UNIT
LB149	THREADED 12-WAY AMP	BELOW WIPER PLENUM / WIPER MOTOR
LF1	18-WAY SUMITOMO BLOCK (BLACK)	LEFT 'A' POST / LEFT FRONT HARNESS
LF2	14-WAY SUMITOMO BLOCK	LEFT 'A' POST / LF HARNESS
LF17	3-WAY PM 5 (BROWN)	FRONT OF A/C CONDENSER, CENTER / AMBIENT TEMP. SENSOR
LF21	4-WAY SUMITOMO SEALED (GREEN)	ADJACENT TO RADIATOR TOP HOSE / WASHER PUMPS
LF27	3-WAY PM 5 (PURPLE)	RIGHT HEADLIGHT / HEADLIGHT WASHER HEATER
LF32	3-WAY PM 5 (YELLOW)	LEFT HEADLIGHT / HEADLIGHT WASHER HEATER

GROUND

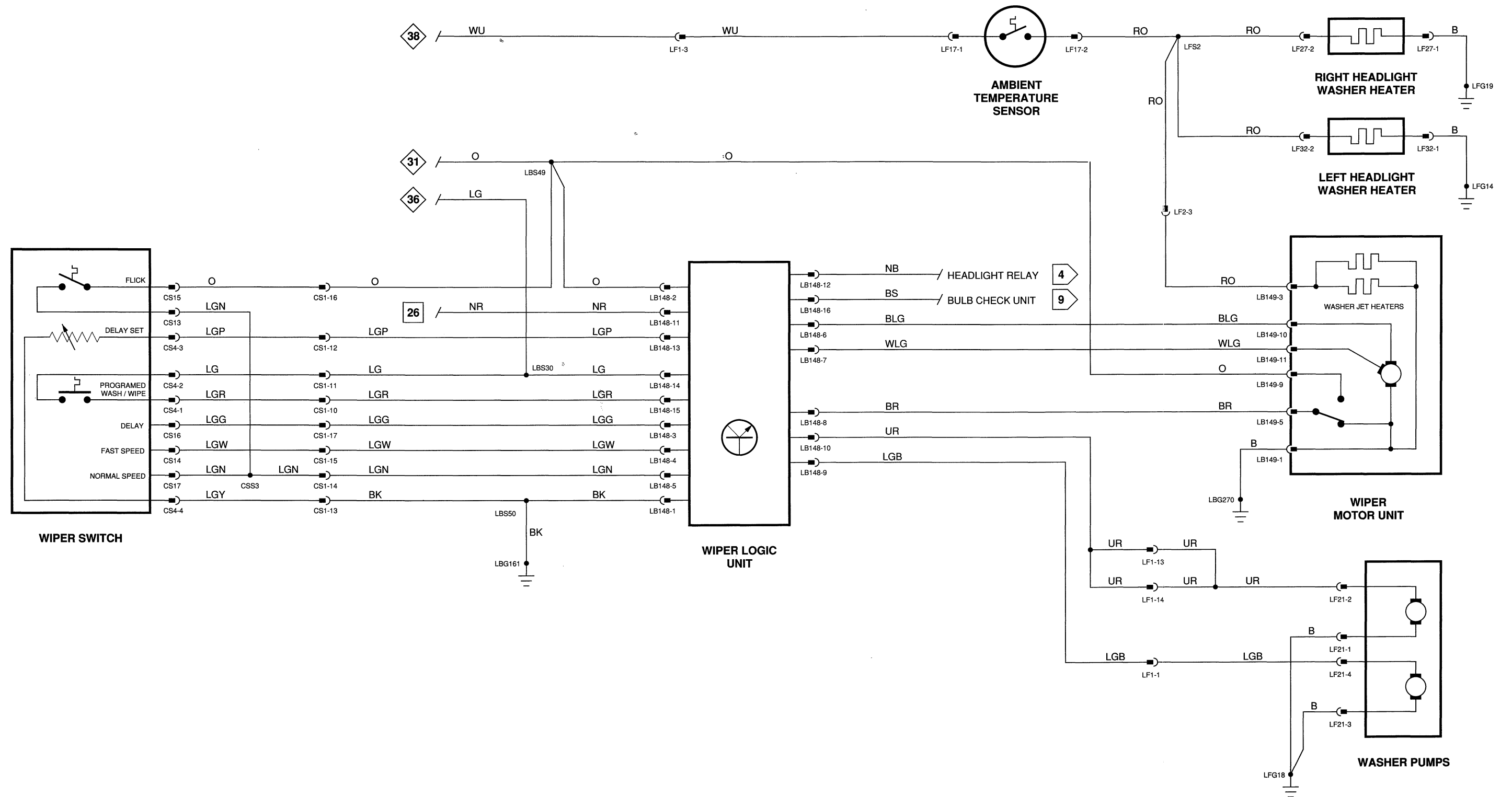
CODE	DESCRIPTION	LOCATION / INTERFACE
LBG161	EYELET	LEFT TRANSMISSION TUNNEL BY A/C SUPPORT / LOGIC GROUND
LBG270	EYELET	RIGHT 'A' POST FASCIA END POST / POWER GROUND
LFG14	EYELET	TOP LEFT RADIATOR SUPPORT MOUNT / POWER GROUND
LFG18	EYELET	TOP RIGHT RADIATOR SUPPORT MOUNT / POWER GROUND
LFG19	EYELET	TOP RIGHT RADIATOR SUPPORT MOUNT / POWER GROUND

INPUTS / OUTPUTS

WIPER LOGIC UNIT

CODE	IN / OUT	CIRCUIT	ACTIVE	INACTIVE
LB148-1	IN	LOGIC GROUND	GROUND	GROUND
LB148-2	IN	IGNITION SWITCHED POWER	12V	0V
LB148-3	IN	WINDSHIELD WIPER DELAY	12V	0V
LB148-4	IN	WINDSHIELD WIPER FAST SPEED	12V	0V
LB148-5	IN	WINDSHIELD WIPER NORMAL SPEED	12V	0V
LB148-6	OUT	WINDSHIELD WIPER MOTOR NORMAL	12V	0V
LB148-7	OUT	WINDSHIELD WIPER MOTOR FAST	12V	0V
LB148-8	IN	WINDSHIELD WIPER PARK	GROUND	12V
LB148-9	OUT	WINDSHIELD WASHER PUMP	12V	OPEN CIRCUIT
LB148-10	OUT	HEADLIGHT WASHER PUMP	12V	OPEN CIRCUIT
LB148-11	IN	BATTERY POWER	12V	12V
LB148-12	IN	HEADLIGHT RELAY	GROUND	12V
LB148-13	IN	DELAY SET	MIN. DELAY: 0.2V	MAX. DELAY: 10.5V
LB148-14	IN	IGNITION SWITCHED POWER	12V	0V
LB148-15	IN	WINDSHIELD PROGRAM WIPE	12V	OPEN CIRCUIT
LB148-16	IN	BULB CHECK UNIT	12V	12V





COMPONENTS

DESCRIPTION	LOCATION	ACCESS
ABS ECU	LEFT REAR TRUNK WHEEL ARCH	TRUNK TRIM
COMBINED PRESSURE SWITCH	BRAKE PUMP UNIT	ENGINE COMPARTMENT
DIAGNOSTIC SOCKET	LEFT REAR TRUNK WHEEL ARCH	TRUNK TRIM
DIODE — (ABDR[A])	6 IN. BELOW ABS ECU	LEFT TRUNK TRIM
DIODE — (ABD2)	BEHIND ABS MOTOR PUMP UNIT	ENGINE COMPARTMENT, RIGHT BULKHEAD
DIODE — (LBD6)	RIGHT COMPONENT PANEL 6 IN. FROM PUMP RELAY	RIGHT DASH UNDER PANEL
MAIN VALVE	FRONT OF BRAKE ACTUATOR UNIT	ENGINE COMPARTMENT, LEFT
PUMP	RIGHT FRONT BULKHEAD	ENGINE COMPARTMENT
RELAY — MAIN (AB16)	LEFT REAR TRUNK WHEEL ARCH	TRUNK TRIM
RELAY — PUMP (LB144)	RIGHT COMPONENT PANEL	RIGHT DASH UNDER PANEL
RESERVOIR	TOP OF BRAKE ACTUATOR UNIT	ENGINE COMPARTMENT, LEFT
VALVE BLOCK	SIDE OF BRAKE ACTUATOR UNIT	ENGINE COMPARTMENT, LEFT
WHEEL SPEED SENSORS	EACH WHEEL ASSEMBLY	BENEATH VEHICLE

NOTE: COMPONENT IDENTIFICATIONS WITH [A] OR [B] RATHER THAN A NUMBER INDICATE COMPONENTS WITHOUT JDS DATA BASE IDENTIFICATION. THESE IDENTIFICATIONS ARE PENDING.

CONNECTORS

CODE	DESCRIPTION	LOCATION / INTERFACE
AB1	35-WAY ECU CONNECTOR (BLACK)	TRUNK, LEFT WHEEL ARCH / ABS ECU
AB2	3-WAY ECONOSEAL (RED)	TRUNK, LEFT WHEEL ARCH / ABS DIAGNOSTIC SOCKET
AB4	3-WAY ECONOSEAL (BLACK)	BELOW REAR SEAT RH SIDE (LUGGAGE LOCKER, CONV.) / RIGHT REAR WHEEL SENSOR
AB5	3-WAY ECONOSEAL (BLACK)	BELOW REAR SEAT LH SIDE (LUGGAGE LOCKER, CONV.) / LEFT REAR WHEEL SENSOR
AB6	3-WAY ECONOSEAL (BLACK)	LEFT FRONT INNER FENDER / LEFT FRONT WHEEL SENSOR
AB7	5-WAY SPADE (BLACK)	LEFT FRONT BULKHEAD / RESERVOIR
AB8	7-WAY SPADE (BLACK)	LEFT FRONT BULKHEAD / ABS VALVE BLOCK
AB9	2-WAY BOSCH (BLACK)	LEFT FRONT BULKHEAD / ABS MAIN VALVE
AB11	3-WAY ECONOSEAL (BLACK)	RIGHT FRONT INNER FENDER / RIGHT FRONT WHEEL SENSOR
AB14	2-WAY SPADE (BLACK)	RIGHT FRONT BULKHEAD / ABS PUMP
AB15	5-WAY SPADE (BLUE)	RIGHT FRONT BULKHEAD / COMBINED PRESSURE SWITCH
AB16	RELAY BASE (BLACK)	LEFT REAR WHEEL ARCH / ABS MAIN RELAY
AB17	3-WAY AMP POWER BLOCK	BELOW LEFT A/C OUTLET / ABS PUMP AND ECU SUPPLY
AB18	8-WAY SUMITOMO STD. (RED)	BELOW LEFT A/C OUTLET / ABS HARNESS
LB144	RELAY BASE (YELLOW)	RIGHT COMPONENT PANEL / ABS PUMP RELAY
RH161	20-WAY SUMITOMO BLOCK (NATURAL)	BELOW LEFT A/C OUTLET / REAR HARNESS

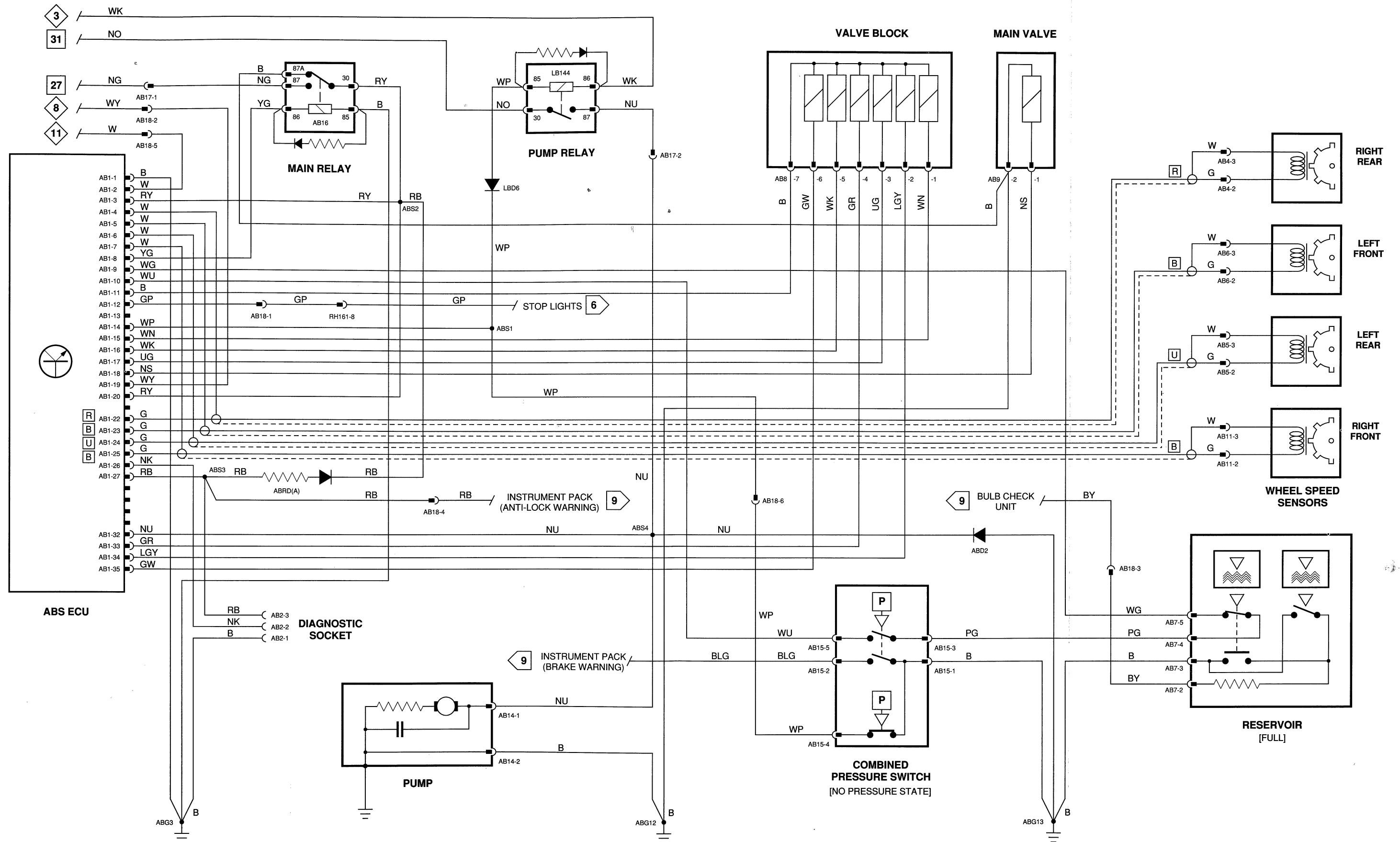
GROUND

CODE	DESCRIPTION	LOCATION / INTERFACE
ABG3	EYELET	BEHIND LEFT REAR WHEEL ARCH / POWER GROUND
ABG12	EYELET	FRONT BULKHEAD BEHIND BRAKE FLUID RES. / POWER GROUND
ABG13	EYELET	FRONT OF BRAKE ACTUATOR UNIT / POWER GROUND

INPUTS / OUTPUTS

ABS ECU			ACTIVE	INACTIVE
CODE	IN / OUT	CIRCUIT		
AB1-1	IN	POWER GROUND	GROUND	GROUND
AB1-2	IN	IGNITION SWITCHED POWER	12V	0V
AB1-3	IN	ABS ECU RELAY	12V	0V
AB1-4	OUT	RR WHEEL SPEED SENSOR SCREEN	GROUND	GROUND
AB1-5	OUT	LF WHEEL SPEED SENSOR SCREEN	GROUND	GROUND
AB1-6	OUT	LR WHEEL SPEED SENSOR SCREEN	GROUND	GROUND
AB1-7	OUT	RF WHEEL SPEED SENSOR SCREEN	GROUND	GROUND
AB1-8	IN	ABS ECU MAIN RELAY	GROUND	12V
AB1-9	OUT	FLUID RESERVOIR FULL SWITCH	5V	0V
AB1-10	IN	MPU COMBINED PRESSURE SWITCH	5V	0V
AB1-11	IN	ABS ACTUATOR VALVE BLOCK	GROUND	GROUND
AB1-12	IN	STOP LIGHT RELAY	GROUND	12V
AB1-13	NOT USED			
AB1-14	IN	ABS MOTOR PUMP UNIT RELAY	GROUND	12V
AB1-15	OUT	INLET VALVE, RIGHT FRONT	12V	0V
AB1-16	OUT	OUTLET VALVE, LEFT FRONT	12V	0V
AB1-17	OUT	INLET VALVE, REAR	12V	0V
AB1-18	OUT	ABS MAIN VALVE	12V	0V
AB1-19	IN	IGNITION SWITCHED POWER	12V	0V
AB1-20	IN	ABS ECU MAIN RELAY	12V	GROUND
AB1-22	IN	RR WHEEL SPEED SENSOR	PULSED AC VOLTAGE	0V
AB1-23	IN	LF WHEEL SPEED SENSOR	PULSED AC VOLTAGE	0V
AB1-24	IN	LR WHEEL SPEED SENSOR	PULSED AC VOLTAGE	0V
AB1-25	IN	RF WHEEL SPEED SENSOR	PULSED AC VOLTAGE	0V
AB1-26	OUT	DIAGNOSTIC SOCKET	—	—
AB1-27	OUT	DIAGNOSTIC SOCKET	—	—
AB1-32	IN	MOTOR PUMP UNIT	12V	0V
AB1-33	OUT	OUTLET VALVE, REAR	12V	0V
AB1-34	OUT	OUTLET VALVE, RIGHT FRONT	12V	0V
AB1-35	OUT	INLET VALVE, LEFT FRONT	12V	0V





COMPONENTS

DESCRIPTION	LOCATION	ACCESS
BRAKE SWITCH	BRAKE PEDAL	LEFT UNDER DASH
CONTROL VALVE	LEFT FRONT INNER FENDER	ENGINE COMPARTMENT
CRUISE CONTROL ECU	FRONT OF PASSENGER'S SEAT	FOOTWELL COVER
DIODE — (CCD1)	CENTER CONSOLE	CONSOLE TRIM
DIODE — (CCD2)	STEERING COLUMN	LEFT DASH UNDER PANEL
DIODE — (LFD4)	BELOW LEFT FRONT COMPONENT PANEL	ENGINE COMPARTMENT
DUMP VALVE	LEFT FRONT INNER FENDER	ENGINE COMPARTMENT
GEAR SELECTOR SWITCH	GEAR SHIFT LINKAGE	CENTER CONSOLE
MASTER SWITCH	CENTER CONSOLE	REMOVE TRIM
RESUME SWITCH	LIGHTING AND TURN SIGNAL SWITCH	STEERING COLUMN TRIM
SPEED INTERFACE UNIT	TRUNK BEHIND LEFT GAS STRUT SUPPORT	TRUNK TRIM
SPEED SENSOR	DIFFERENTIAL COVER	BENEATH VEHICLE
STOP LIGHT SWITCH	BRAKE PEDAL	LEFT UNDER DASH

CONNECTORS

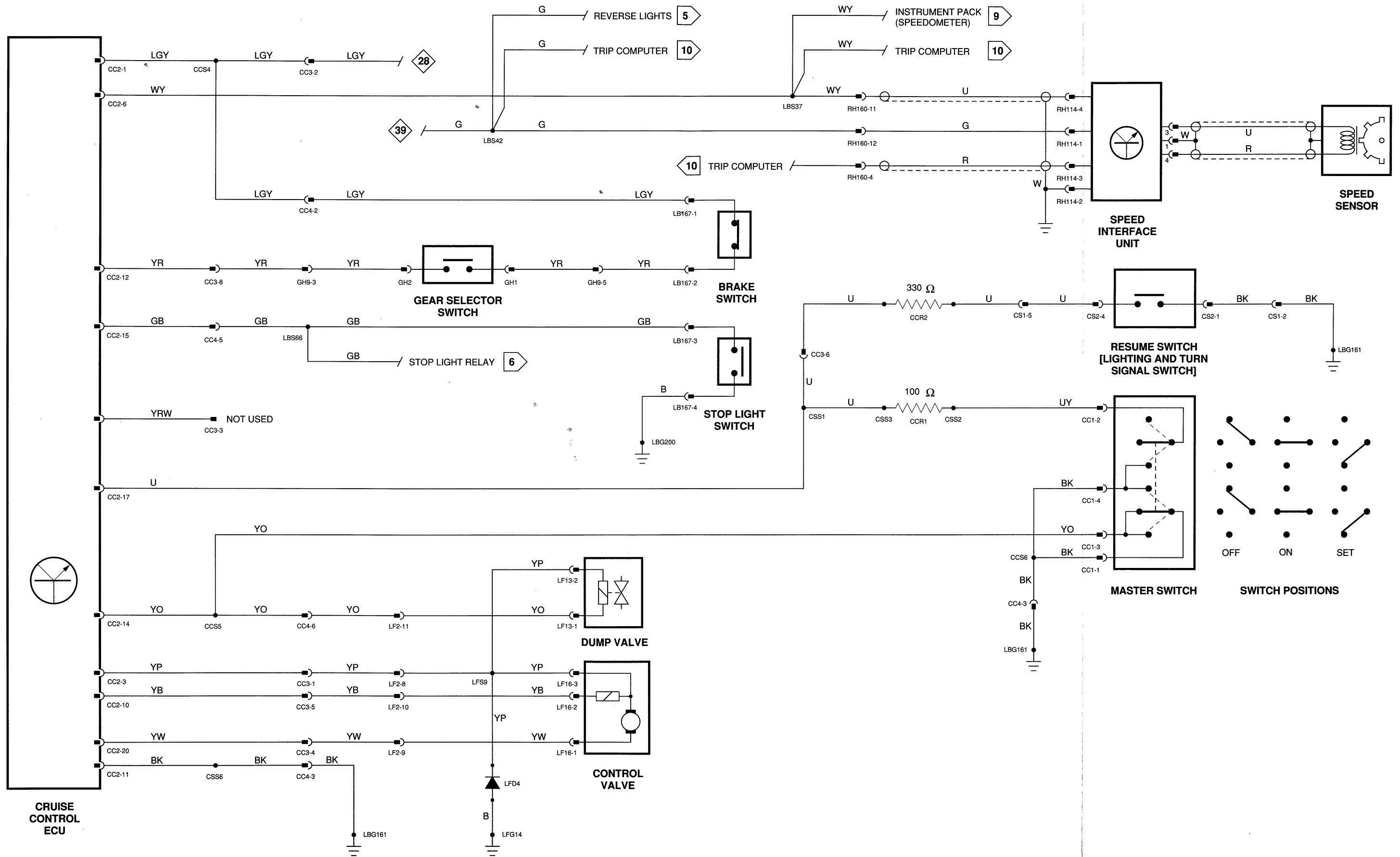
CODE	DESCRIPTION	LOCATION / INTERFACE
CC1	6-WAY S/T SOCKET (WHITE)	CENTER CONSOLE / CRUISE CONTROL MASTER SWITCH
CC2	20-WAY AMP PCB POWER (BLACK)	FRONT OF PASSENGER'S SEAT / CRUISE CONTROL ECU
CC3	8-WAY SUMITOMO STD. (NATURAL)	BELOW RIGHT A/C OUTLET / BULKHEAD HARNESS
CC4	6-WAY SUMITOMO STD. (NATURAL)	BELOW LEFT A/C OUTLET / BULKHEAD HARNESS
CS1	24-WAY SUMITOMO BLOCK (NATURAL)	ADJACENT TO STEERING COLUMN / COLUMN SWITCH GEAR HARNESS
CS2	6-WAY SUMITOMO STD. (NATURAL)	ABOVE TURN SIGNAL SWITCH / RESUME SWITCH
GH1	SPADE	GEAR SELECTOR LINKAGE / GEAR SELECTOR SWITCH
GH2	SPADE	GEAR SELECTOR LINKAGE / GEAR SELECTOR SWITCH
GH9	6-WAY SUMITOMO STD. (NATURAL)	BELOW RIGHT A/C OUTLET / GEAR SELECTOR SWITCH
LB167	4-WAY SUMITOMO STD. (RED)	BRAKE PEDAL / STOP LIGHT SWITCH
LF2	14-WAY SUMITOMO BLOCK (BLUE)	LEFT 'A' POST / LF HARNESS
LF13	3-WAY PM 5 (BLACK)	LEFT FRONT INNER FENDER / DUMP VALVE
LF16	3-WAY AMP SOCKET (BLACK)	LEFT FRONT INNER FENDER / CONTROL VALVE
RH114	4-WAY PM HD (BLACK)	BEHIND LEFT TRUNK LID GAS STRUT SUPPORT / SPEED INTERFACE
RH160	14-WAY SUMITOMO BLOCK (NATURAL)	BELOW LEFT A/C OUTLET / BULKHEAD HARNESS

GROUNDINGS

CODE	DESCRIPTION	LOCATION / INTERFACE
LBG161	EYELET	LEFT OF TRANSMISSION TUNNEL BY A/C SUPPORT / LOGIC GROUND
LBG200	EYELET	LEFT 'A' POST FASCIA END PANEL / POWER GROUND
LFG14	EYELET	TOP LEFT RADIATOR SUPPORT MOUNT / POWER GROUND

INPUTS / OUTPUTS

CRUISE CONTROL ECU			ACTIVE	INACTIVE
CODE	IN / OUT	CIRCUIT		
CC2-1	IN	IGNITION SWITCHED POWER	12V	0V
CC2-3	OUT	CRUISE VACUUM CONTROL PUMP	PUMP ON: 12V	PUMP OFF: 0V
CC2-6	IN	ROAD SPEED INPUT	AC VOLTS INCREASE W/ROAD SPEED	LESS THAN 1V
CC2-10	OUT	CRUISE VACUUM DUTY CYCLE VALVE	SYSTEM ON: GROUND	SYSTEM OFF: 12V
CC2-11	IN	POWER GROUND	GROUND	GROUND
CC2-12	IN	BRAKE/GEAR SELECT SWITCH	"D", "2", "1": 12V	"P", "R", "N": 0V
CC2-14	OUT	CRUISE DUMP VALVE	VALVE CLOSED: APPROX. 0.5V	VALVE OPEN: 12V
CC2-15	IN	STOP LIGHT SWITCH	BRAKE ON: GROUND	12V
CC2-17	IN	CRUISE "SET", "RESUME"	"SET" PRESSED: 100Ω, "RESUME" PRESSED: 300Ω	OPEN CIRCUIT
CC2-20	IN	CRUISE VACUUM CONTROL PUMP	GROUND	OPEN CIRCUIT



COMPONENTS

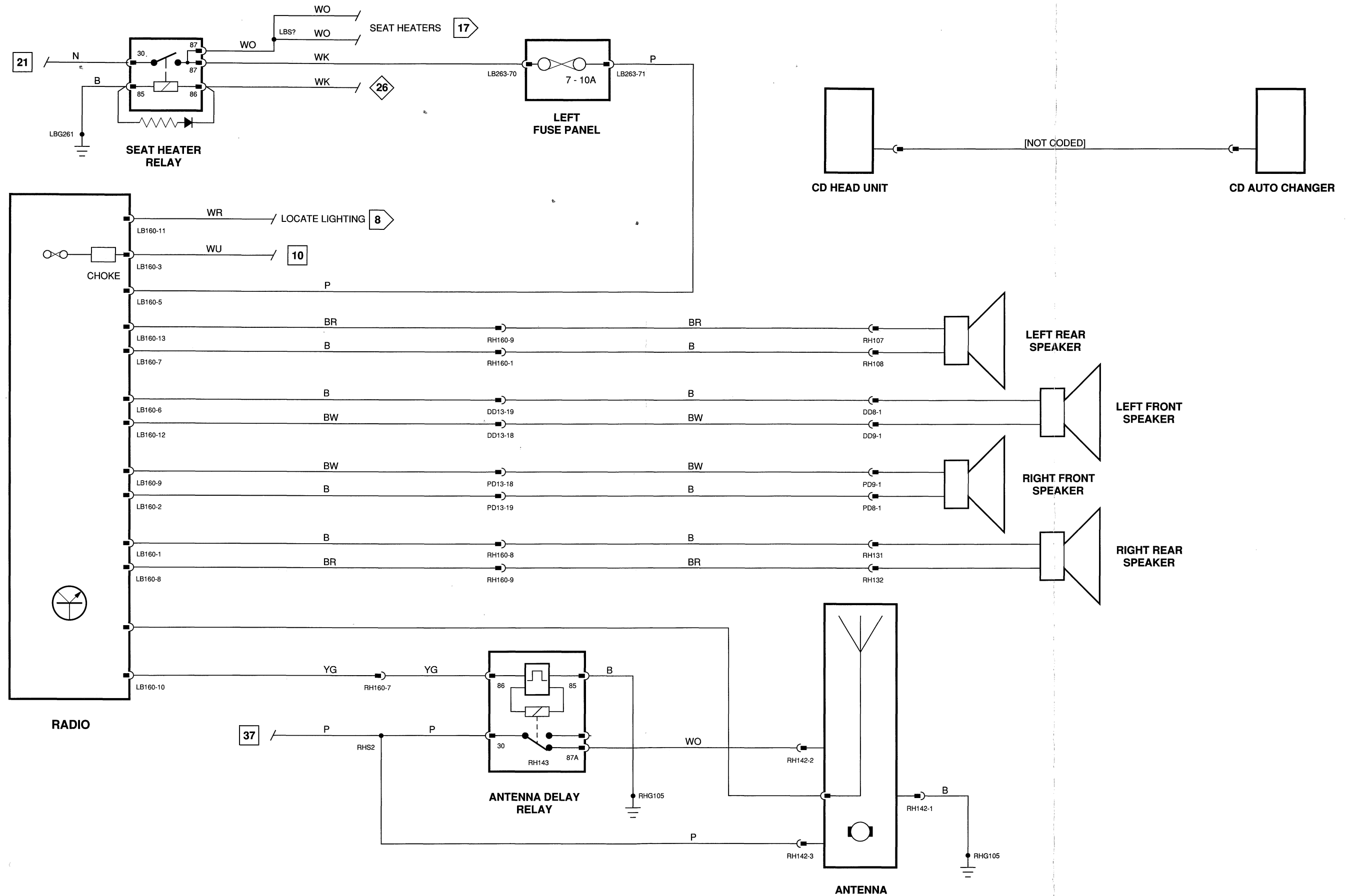
DESCRIPTION	LOCATION	ACCESS
ANTENNA	RIGHT REAR TRUNK	RIGHT TRUNK TRIM
CD AUTO CHANGER	TRUNK	LEFT TRUNK TRIM
CD HEAD UNIT	CENTER CONSOLE	
FUSE PANEL — LEFT	LEFT COMPONENT PANEL	LEFT DASH UNDER PANEL
RADIO	CENTER CONSOLE	REMOVE TRIM
RELAY — ANTENNA DELAY (RH143)	RIGHT REAR TRUNK	RIGHT TRUNK TRIM

CONNECTORS

CODE	DESCRIPTION	LOCATION / INTERFACE
DD8	SPADE	DRIVER'S DOOR / LEFT FRONT SPEAKER
DD9	SPADE	DRIVER'S DOOR / LEFT FRONT SPEAKER
DD13	20-WAY SUMITOMO BLOCK (YELLOW)	LEFT 'A' POST / DD HARNESS
LB160	13-WAY MULTILOCK (NATURAL)	BEHIND RADIO / RADIO
LB263	FUSE PANEL	DRIVER'S FOOTWELL / LEFT FUSE PANEL
PD8	SPADE	PASSENGER'S DOOR / RIGHT FRONT SPEAKER
PD9	SPADE	PASSENGER'S DOOR / RIGHT FRONT SPEAKER
PD13	20-WAY SUMITOMO BLOCK (YELLOW)	RIGHT 'A' POST / PD HARNESS
RH107	BULLET — COUPE; PM 5 (GREEN) — CONV.	LEFT REAR SEAT TRIM / LEFT REAR SPEAKER
RH108	BULLET — COUPE; PM 5 (GREEN) — CONV.	LEFT REAR SEAT TRIM / LEFT REAR SPEAKER
RH131	BULLET — COUPE; PM 5 (GREEN) — CONV.	RIGHT REAR SEAT TRIM / RIGHT REAR SPEAKER
RH132	BULLET — COUPE; PM 5 (GREEN) — CONV.	RIGHT REAR SEAT TRIM / RIGHT REAR SPEAKER
RH142	23-WAY PM 5 (BLACK)	RIGHT REAR TRUNK / ANTENNA MOTOR
RH143	RELAY BASE (BLACK)	RIGHT REAR TRUNK / ANTENNA DELAY RELAY
RH160	14-WAY SUMITOMO BLOCK (NATURAL)	BELOW RIGHT A/C OUTLET / REAR HARNESS

GROUND

CODE	DESCRIPTION	LOCATION / INTERFACE
LBG261	EYELET	RIGHT 'A' POST FASCIA END PANEL / POWER GROUND
RHG105	EYELET	RIGHT REAR TAIL LIGHT BRACKET / POWER GROUND



COMPONENTS

DESCRIPTION

BLOWN ASPIRATOR
 CENTER VENT VACUUM SOLENOID
 CLIMATE CONTROL ECU
 COMPRESSOR CLUTCH
 COOLANT TEMPERATURE SWITCH
 COOLANT VALVE VACUUM SOLENOID
 DEFROST VACUUM SOLENOID
 DIODE — (SACD[A])
 EVAPORATOR TEMPERATURE SENSOR
 IN CAR TEMPERATURE SENSOR
 LEFT BLOWER MOTOR
 LOWER FEEDBACK POTENTIOMETER
 LOWER SERVO
 MODE CONTROL SWITCH
 RECIRCULATION VACUUM SOLENOID
 RELAY — COMPRESSOR CLUTCH (RF3)
 RIGHT BLOWER MOTOR
 TEMPERATURE DEMAND POTENTIOMETER
 TEMPERATURE DIFFERENTIAL POTENTIOMETER
 UPPER FEEDBACK POTENTIOMETER
 UPPER SERVO

LOCATION

RIGHT DASH UNDER PANEL
 BENEATH A/C UNIT
 A/C UNIT, RIGHT
 A/C COMPRESSOR
 LEFT HOT WATER PIPE
 BENEATH A/C UNIT
 BENEATH A/C UNIT
 ENGINE COMPARTMENT
 A/C UNIT, RIGHT SIDE
 RIGHT DASH UNDER PANEL
 LEFT BULKHEAD
 A/C UNIT, LEFT
 A/C UNIT, RIGHT
 CONTROL PANEL FAN SWITCH
 BENEATH A/C UNIT
 RIGHT FRONT COMPONENT PANEL
 RIGHT BULKHEAD
 CONTROL PANEL
 CONTROL PANEL
 A/C UNIT, LEFT
 A/C UNIT, RIGHT

ACCESS

RIGHT UNDER DASH
 RIGHT UNDER DASH
 RIGHT UNDER DASH
 FRONT/CENTER OF ENGINE
 LEFT UNDER DASH
 LEFT UNDER DASH
 RIGHT UNDER DASH
 COMPRESSOR CLUTCH CONNECTOR
 RIGHT UNDER DASH
 RIGHT UNDER DASH
 LEFT UNDER DASH
 LEFT UNDER DASH
 RIGHT UNDER DASH
 TRIM
 LEFT UNDER DASH
 ENGINE COMPARTMENT
 RIGHT UNDER DASH
 TRIM
 TRIM
 INSTRUMENT PACK
 REMOVE GLOVEBOX

NOTE: COMPONENT IDENTIFICATIONS WITH [A] OR [B] RATHER THAN A NUMBER INDICATE COMPONENTS WITHOUT JDS DATA BASE IDENTIFICATION. THESE IDENTIFICATIONS ARE PENDING.

CONNECTORS

CODE	DESCRIPTION	LOCATION / INTERFACE	CODE	DESCRIPTION	LOCATION / INTERFACE
EM6	2-WAY SPADE	A/C COMPRESSOR / COMPRESSOR CLUTCH	SAC14	SPADE	A/C UNIT, LEFT / COOLANT TEMPERATURE SWITCH
LB150	6-WAY SUMIT. STD. (NAT)	RIGHT DASH UNDER PANEL / BULKHEAD HARNESS	SAC13	3-WAY JST (BLACK)	A/C UNIT, LEFT / UPPER SERVO MOTOR
LB190	2-WAY PM 5	RIGHT BLOWER MOTOR / BLOWER MOTOR POWER FEED	SAC15	SPADE	A/C UNIT, LEFT / COOLANT TEMPERATURE SWITCH
LB213	2-WAY PM 5	RIGHT BLOWER MOTOR / BLOWER MOTOR POWER FEED	SAC16	SPADE	BENEATH A/C UNIT / RECIRCULATION SOLENOID
RF1	18-WAY SUMIT. BLOCK (BLK)	RIGHT 'A' POST / BULKHEAD HARNESS	SAC17	SPADE	BENEATH A/C UNIT / RECIRCULATION SOLENOID
RF3	RELAY BASE (GREEN)	RIGHT FRONT COMPONENT PANEL / COMP. CLUTCH RELAY	SAC18	SPADE	BENEATH A/C UNIT / COOLANT VALVE VACUUM SOLENOID
RF5	9-WAY PM 4 (BLACK)	ENGINE COMPARTMENT, R. BULKHEAD / ENG. HARNESS	SAC19	SPADE	BENEATH A/C UNIT / COOLANT VALVE VACUUM SOLENOID
SAC2	15-WAY JST (WHITE)	TOP CONNECTOR ON ECU / CLIMATE CONTROL ECU	SAC21	SPADE	BENEATH A/C UNIT / CENTER VENT SOLENOID
SAC3	15-WAY JST (WHITE)	CENTER CONNECTOR ON ECU / CLIMATE CONTROL ECU	SAC22	SPADE	BENEATH A/C UNIT / CENTER VENT SOLENOID
SAC4	15-WAY JST (WHITE)	BOTTOM CONNECTOR ON ECU / CLIMATE CONTROL ECU	SAC23	SPADE	BENEATH A/C UNIT / DEFROST SOLENOID
SAC5	4-WAY JST (BLACK)	ABOVE LEFT BLOWER MOTOR / LEFT BLOWER MOTOR	SAC24	SPADE	BENEATH A/C UNIT / DEFROST SOLENOID
SAC6	7-WAY JST (BLACK)	ABOVE RIGHT BLOWER MOTOR / RIGHT BLOWER MOTOR	SAC26	3-WAY JST (BLACK)	BEHIND TEMP. DIFF. CONTROL / TEMP. DIFFERENTIAL POT.
SAC9	3-WAY JST (BLACK)	A/C UNIT, RIGHT / EVAPORATOR TEMPERATURE SENSOR	SAC28	5-WAY JST (BLACK)	A/C UNIT, LEFT / TEMPERATURE DEMAND POT.
SAC10	3-WAY JST (BLACK)	A/C UNIT, LEFT / UPPER FEEDBACK POT.	SAC29	8-WAY JST (BLACK)	A/C UNIT, RIGHT / MODE CONTROL SWITCH
SAC11	3-WAY JST (BLACK)	A/C UNIT, LEFT / LOWER FEEDBACK POT.	SAC30	6-WAY SUMIT. STD. (NAT)	RIGHT DASH UNDER PANEL / IN CAR TEMP. SENSOR
SAC12	3-WAY JST (BLACK)	A/C UNIT, LEFT / LOWER SERVO MOTOR			

GROUND

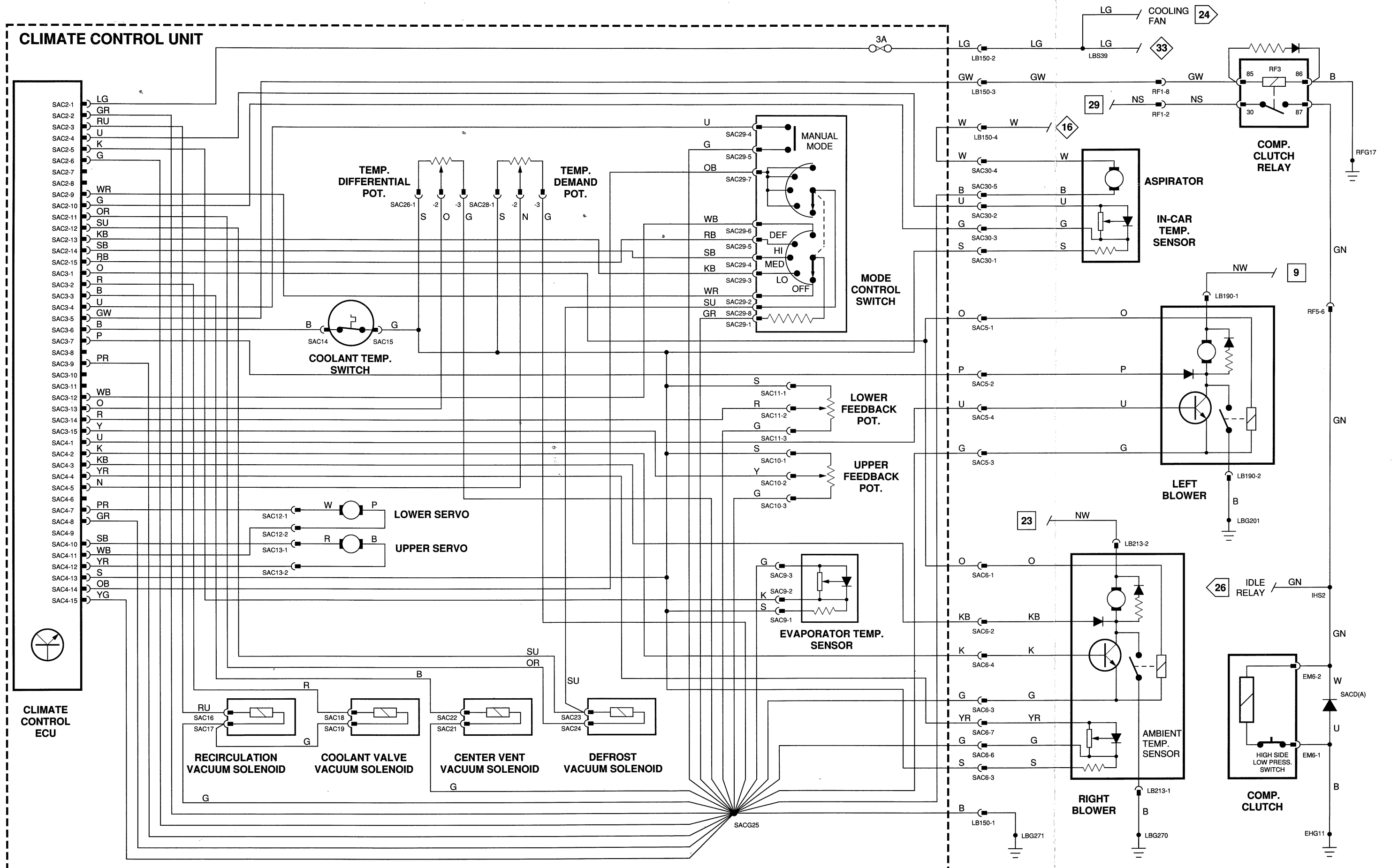
CODE	DESCRIPTION	LOCATION / INTERFACE
EHG11	EYELET	MOUNTING BRACKET / POWER GROUND
LBG201	EYELET	LEFT 'A' POST FASCIA END PANEL / POWER GROUND
LBG270	EYELET	RIGHT 'A' POST FASCIA END PANEL / POWER GROUND
LBG271	EYELET	LEFT 'A' POST FASCIA END PANEL / POWER GROUND
RFG17	EYELET	FRONT RIGHT INNER FENDER BEHIND HORN RELAY / POWER GROUND

INPUTS / OUTPUTS

CLIMATE CONTROL ECU

CODE	IN / OUT	CIRCUIT	ACTIVE	INACTIVE
SAC2-1	IN	IGNITION SWITCHED POWER	12V	0V
SAC2-2	IN	POWER GROUND	GROUND	GROUND
SAC2-3	OUT	RECIRCULATION VACUUM SOLENOID	12V	0V
SAC2-4	IN	IN-CAR TEMP. SENSOR	SYSTEM ON: 2.73V @0°C	SYSTEM OFF: 0V
SAC2-5	IN	EVAPORATOR TEMP. SENSOR	SYSTEM ON: 2.73V @0°C	SYSTEM OFF: 0V
SAC2-6	IN	POWER GROUND	GROUND	GROUND
SAC2-7	NOT USED			
SAC2-8	NOT USED			
SAC2-9	IN	MODE CONTROL SWITCH	GROUND	4V
SAC2-10	IN	IN-CAR TEMP. SENSOR GROUND	GROUND	GROUND
SAC2-11	IN	DEFROST VACUUM SOLENOID	12V	GROUND
SAC2-12	OUT	DEFROST SOLENOID / MODE SWITCH	12V	12V
SAC2-13	IN	MODE SWITCH — LOW	GROUND	4V
SAC2-14	IN	MODE SWITCH — MED.	GROUND	4V
SAC2-15	IN	MODE SWITCH — HIGH	GROUND	4V
SAC3-1	OUT	HIGH SPEED BLOWER MOTOR RELAYS	10V	0V
SAC3-2	OUT	COOLANT VALVE VACUUM SOLENOID	CLOSED: 12V	OPEN: 0V
SAC3-3	OUT	CENTER VENT VACUUM SOLENOID	OPEN: 12V	CLOSED: 0V
SAC3-4	IN	MANUAL MODE SWITCH	ON: GROUND	OFF: 4V
SAC3-5	OUT	COMPRESSOR CLUTCH RELAY	12V	0V
SAC3-6	IN	COOLANT TEMP. SWITCH	ABOVE 40°C: 5V	BELOW 40°C: 0V
SAC3-7	IN	LEFT BLOWER MOTOR FEEDBACK	LOW: 5V, MED: 2V, HIGH: 1V	
SAC3-8	NOT USED			
SAC3-9	IN	POWER GROUND	GROUND	GROUND
SAC3-10	NOT USED			
SAC3-11	NOT USED			
SAC3-12	IN	MODE SWITCH — DEFROST	GROUND	4V
SAC3-13	IN	TEMPERATURE DIFFERENTIAL POTENTIOMETER	COOL: 2.885V	WARM: 0V
SAC3-14	IN	LOWER FEEDBACK POTENTIOMETER	FULL COOL: 0.1V, FULL HOT: 1.2V, DEFROST: 2.9V	
SAC3-15	IN	UPPER FEEDBACK POTENTIOMETER	FULL COOL: 0.2V, FULL HOT: 1.9V, DEFROST: 1.9V	
SAC4-1	OUT	LEFT BLOWER MOTOR POWER TRANSISTOR	LOW: 1-2V, NORM: INCREASE, HIGH: APPROX. 1V	
SAC4-2	OUT	RIGHT BLOWER MOTOR POWER TRANSISTOR	LOW: 1-2V, NORMAL: INCREASE, HIGH: APPROX. 1V	
SAC4-3	IN	RIGHT BLOWER MOTOR FEEDBACK	LOW: 5V, MED: 2V, HIGH: 1V	
SAC4-4	IN	AMBIENT TEMP. SENSOR	SYSTEM ON: 2.93V @0°C	SYSTEM OFF: 0V
SAC4-5	IN	TEMPERATURE DEMAND POTENTIOMETER	FULL COOL: 0V	FULL HOT: 2.885V
SAC4-6	NOT USED			
SAC4-7	OUT	LOWER SERVO	DRIVE: 7V	NO DRIVE: 0V
SAC4-8	IN	POWER GROUND	GROUND	GROUND
SAC4-9	NOT USED			
SAC4-10	OUT	UPPER SERVO	DRIVE: 7V	NO DRIVE: 0V
SAC4-11	OUT	LOWER SERVO	DRIVE: 7V	NO DRIVE: 0V
SAC4-12	OUT	UPPER SERVO	DRIVE: 7V	NO DRIVE: 0V
SAC4-13	OUT	SENSOR REFERENCE VOLTAGE	5V	0V
SAC4-14	IN	MODE CONTROL SWITCH	SWITCH ON: 12V	SWITCH OFF: 0V
SAC4-15	IN	POWER GROUND	GROUND	GROUND





COMPONENTS

DESCRIPTION	LOCATION	ACCESS
COOLING FAN	BEHIND RADIATOR, RIGHT	ENGINE COMPARTMENT
FAN RUN-ON DIODE UNIT	LEFT FRONT COMPONENT PANEL	ENGINE COMPARTMENT
RADIATOR THERMAL SWITCH	WATER PUMP INLET	ENGINE, LEFT FRONT
RELAY — COOLING FAN (LF11)	LEFT FRONT COMPONENT PANEL	ENGINE COMPARTMENT

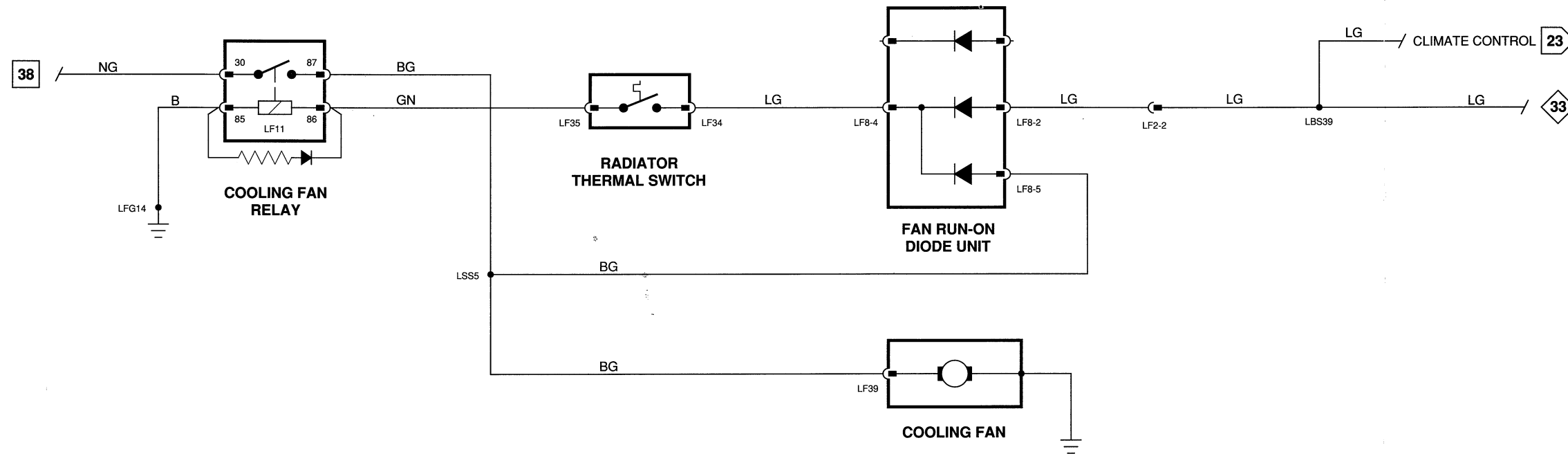
CONNECTORS

CODE	DESCRIPTION	LOCATION / INTERFACE
LF2	14-WAY SUMITOMO BLOCK (BLUE)	LEFT 'A' POST / LF HARNESS
LF8	RELAY BASE (NATURAL)	LEFT FRONT COMPONENT PANEL / FAN RUN-ON DIODE UNIT
LF11	RELAY BASE (BLUE)	LEFT FRONT COMPONENT PANEL / COOLING FAN RELAY
LF34	SPADE (WHITE)	WATER PUMP INLET / RADIATOR THERMAL SWITCH
LF35	SPADE (WHITE)	WATER PUMP INLET / RADIATOR THERMAL SWITCH
LF39	BULLET	RADIATOR FAN SHROUD, LEFT / COOLING FAN

GROUND

CODE	DESCRIPTION	LOCATION / INTERFACE
LFG14	EYELET	TOP LEFT RADIATOR MOUNT / POWER GROUND





COMPONENTS

DESCRIPTION	LOCATION	ACCESS
EFI ECU	TRUNK, RIGHT WHEEL ARCH	RIGHT TRIM
FUEL INJECTORS	INTAKE MANIFOLD	BETWEEN CYLINDER BANKS
FUEL PUMP	IN-TANK FUEL PUMP	BEHIND FUEL TANK TRIM
POWER RESISTORS	RIGHT FRONT INNER FENDER	ENGINE COMPARTMENT, RIGHT
RELAY — EFI MAIN (L147)	TRUNK, RIGHT WHEEL ARCH	RIGHT TRIM
RELAY — FUEL PUMP (L146)	TRUNK, RIGHT WHEEL ARCH	RIGHT TRIM
RFI FILTER	TOP OF FUEL TANK	REAR BULKHEAD
SENSOR — OXYGEN, BANK A	RIGHT EXHAUST DOWN-PIPE	BENEATH ENGINE
SENSOR — OXYGEN, BANK B	LEFT EXHAUST DOWN-PIPE	BENEATH ENGINE
SENSOR — COOLANT TEMPERATURE	B BANK WATER MANIFOLD	ENGINE, LEFT FRONT
SENSOR — AIR TEMPERATURE	B BANK AIR FILTER HOUSING	ENGINE, LEFT FRONT
THROTTLE POTENTIOMETER	ENGINE, REAR CENTER	BELOW THROTTLE TURNABLE

CONNECTORS

CODE	DESCRIPTION	LOCATION / INTERFACE
EM19	2-WAY SPADE (GRAY)	CENTER OF INTAKE MANIFOLD / BANK A INJECTORS
EM20	2-WAY SPADE (GRAY)	CENTER OF INTAKE MANIFOLD / BANK A INJECTORS
EM21	2-WAY SPADE (GRAY)	CENTER OF INTAKE MANIFOLD / BANK A INJECTORS
EM22	2-WAY SPADE (GRAY)	CENTER OF INTAKE MANIFOLD / BANK A INJECTORS
EM23	2-WAY SPADE (GRAY)	CENTER OF INTAKE MANIFOLD / BANK A INJECTORS
EM24	2-WAY SPADE (GRAY)	CENTER OF INTAKE MANIFOLD / BANK A INJECTORS
EM25	2-WAY SPADE (GRAY)	CENTER OF INTAKE MANIFOLD / BANK B INJECTORS
EM26	2-WAY SPADE (GRAY)	CENTER OF INTAKE MANIFOLD / BANK B INJECTORS
EM27	2-WAY SPADE (GRAY)	CENTER OF INTAKE MANIFOLD / BANK B INJECTORS
EM28	2-WAY SPADE (GRAY)	CENTER OF INTAKE MANIFOLD / BANK B INJECTORS
EM29	2-WAY SPADE (GRAY)	CENTER OF INTAKE MANIFOLD / BANK B INJECTORS
EM30	2-WAY SPADE (GRAY)	CENTER OF INTAKE MANIFOLD / BANK B INJECTORS
FP1	2-WAY ECONOSEAL III (BLACK)	CENTER/TOP OF FUEL TANK / IN-TANK FUEL PUMP
L141	2-WAY ECONOSEAL (BLACK)	RIGHT REAR WHEEL ARCH / IN-TANK FUEL PUMP
L145	35-WAY AMP (BLACK)	RIGHT REAR WHEEL ARCH / EFI ECU
L146	RELAY BASE (BLACK)	RIGHT REAR WHEEL ARCH / FUEL PUMP RELAY
L147	RELAY BASE (RED)	RIGHT REAR WHEEL ARCH / EFI MAIN RELAY
L162	2-WAY SPADE (BLACK)	BELOW REAR EDGE OF BANK B AIR FILTER / BANK B LAMBDA HEATER
L163	SPADE	LEFT EXHAUST DOWN-PIPE / BANK B LAMBDA
L164	2-WAY SPADE (BLACK)	LEFT FRONT BANK B AIR FILTER / AMBIENT TEMP. SENSOR
L165	2-WAY SPADE (WHITE)	LEFT FRONT BANK B CYLINDER HEAD / COOLANT TEMP. SENSOR
L166	4-WAY SUMITOMO SEALED (GREEN)	CENTER OF BULKHEAD / THROTTLE POTENTIOMETER
L173	10-WAY AMP (NATURAL)	RIGHT FRONT INNER FENDER / POWER RESISTOR PACK
L175	SPADE	RIGHT EXHAUST DOWN-PIPE / BANK A LAMBDA
L176	2-WAY SPADE (BLACK)	BELOW REAR EDGE OF BANK A AIR FILTER / BANK A LAMBDA HEATER
L190	6-WAY PM 4 (BROWN)	BELOW RIGHT A/C OUTLET / JDS DIAGNOSTIC PLUG
L1129	6-WAY SUMITOMO BLOCK (BLUE)	BELOW RIGHT A/C OUTLET / TRIP COMPUTER FUEL FAIL CODE
L1138	6-WAY SUMITOMO SEALED (GREEN)	FRONT OF BANK A AIR CLEANER / EFI HARNESS

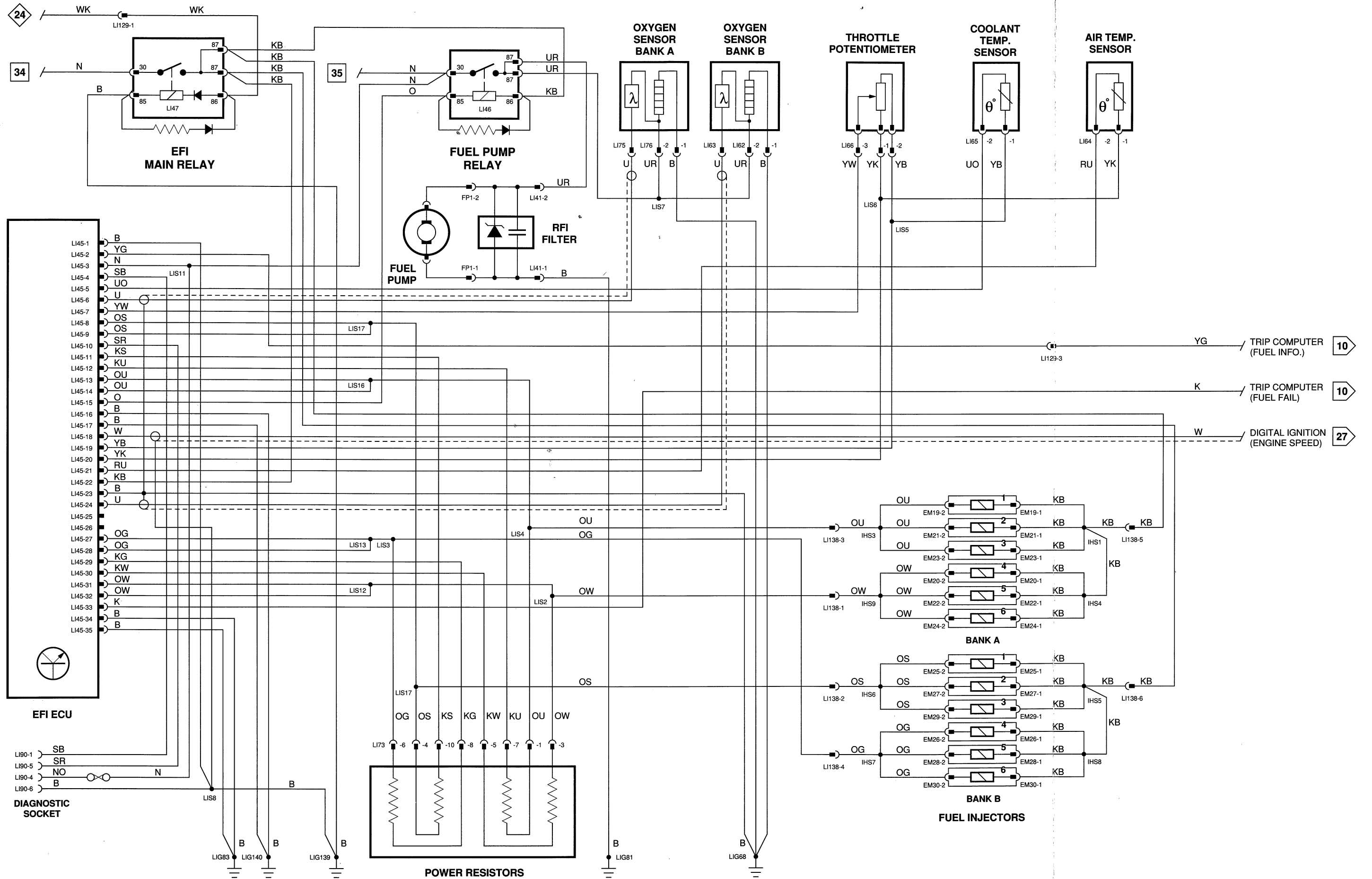
GROUND

CODE	DESCRIPTION	LOCATION / INTERFACE
LIG68	EYELET	REAR OF BANK A INTAKE MANIFOLD / POWER GROUND
LIG81	EYELET	BETWEEN BATTERY AND INNER WHEEL ARCH / POWER GROUND
LIG83	EYELET	BETWEEN BATTERY AND INNER WHEEL ARCH / POWER GROUND
LIG139	EYELET	BETWEEN BATTERY AND INNER WHEEL ARCH / POWER GROUND
LIG140	EYELET	BETWEEN BATTERY AND INNER WHEEL ARCH / POWER GROUND

INPUTS / OUTPUTS

EFI ECU			ACTIVE	INACTIVE
CODE	IN / OUT	CIRCUIT		
L145-1	IN	POWER GROUND	GROUND	GROUND
L145-2	OUT	TRIP COMPUTER FUEL INFORMATION	AC VOLTS INCREASE W/ENGINE RPM	0V
L145-3	IN	BATTERY POWER	12V	12V
L145-4	OUT	DIAGNOSTIC SOCKET	—	—
L145-5	IN	COOLANT TEMP. SENSOR	APPROX. 2.9V @30°C	0V
L145-6	IN	BANK A OXYGEN SENSOR	0-1V SWING	ENGINE OFF: 0V
L145-7	OUT	THROTTLE POTENTIOMETER SWEEP	MIN: APPROX. 0.28V – 0.32V, MAX: APPROX. 4.5V	0V
L145-8	OUT	BANK B INJECTOR ON — INJECTORS 1,2,3	PULSED SIGNAL	0V
L145-9	OUT	BANK B INJECTOR ON — INJECTORS 1,2,3	PULSED SIGNAL	0V
L145-10	OUT	DIAGNOSTIC SOCKET	—	—
L145-11	OUT	BANK B INJECTOR HOLD — INJECTORS 1,2,3	PULSED SIGNAL	0V
L145-12	OUT	BANK A INJECTOR HOLD — INJECTORS 1,2,3	PULSED SIGNAL	0V
L145-13	OUT	BANK A INJECTOR ON — INJECTORS 1,2,3	PULSED SIGNAL	0V
L145-14	OUT	BANK A INJECTOR ON — INJECTORS 1,2,3	PULSED SIGNAL	0V
L145-15	IN	FUEL PUMP RELAY	GROUND	12V
L145-16	IN	POWER GROUND	GROUND	GROUND
L145-17	IN	POWER GROUND	GROUND	GROUND
L145-18	IN	ENGINE SPEED FLYWHEEL	AC VOLTS INCREASE W/ENGINE RPM	0V
L145-19	IN	COOLANT/THROTTLE POTENTIOMETER GROUND	GROUND	GROUND
L145-20	OUT	THROTTLE POT./AIR TEMP. SENSOR REFERENCE VOLTAGE	KEY ON: APPROX. 5V	KEY OFF: 0V
L145-21	IN	AIR TEMP. SENSOR	APPROX. 2.2V @30°C	0V
L145-22	IN	EFI MAIN RELAY	KEY ON: 12V	KEY OFF: 0V
L145-23	IN	POWER GROUND	GROUND	GROUND
L145-24	IN	BANK B OXYGEN SENSOR	0 - 1V SWING	ENGINE OFF: 0V
L145-25	NOT USED			
L145-26	NOT USED			
L145-27	OUT	BANK B INJECTOR ON — INJECTORS 4,5,6	PULSED SIGNAL	0V
L145-28	OUT	BANK B INJECTOR ON — INJECTORS 4,5,6	PULSED SIGNAL	0V
L145-29	OUT	BANK B INJECTOR HOLD — INJECTORS 4,5,6	PULSED SIGNAL	0V
L145-30	OUT	BANK A INJECTOR HOLD — INJECTORS 4,5,6	PULSED SIGNAL	0V
L145-31	OUT	BANK A INJECTOR ON — INJECTORS 4,5,6	PULSED SIGNAL	0V
L145-32	OUT	BANK A INJECTOR ON — INJECTORS 4,5,6	PULSED SIGNAL	0V
L145-33	OUT	FUEL FAIL/TRIP COMPUTER	LIGHT ON: APPROX. 1V	LIGHT OFF: 12V
L145-34	IN	POWER GROUND	GROUND	GROUND
L145-35	IN	POWER GROUND	GROUND	GROUND





COMPONENTS

DESCRIPTION	LOCATION	ACCESS
AIR INJECTION SOLENOID VACUUM VALVE	A BANK CYLINDER HEAD, REAR	ENGINE COMPARTMENT
DIODE — (RFD[B])	ENGINE COMPARTMENT	TOP CENTER OF RADIATOR SHROUD
FUEL RAIL TEMPERATURE SWITCH	FUEL RAIL, RIGHT	ENGINE COMPARTMENT
HOT START SOLENOID VACUUM VALVE	ABOVE RIGHT THERMOSTAT HOUSING	ENGINE COMPARTMENT
NEUTRAL SWITCH	GEAR SHIFT LINKAGE	BELOW CENTER CONSOLE
RELAY — COMPRESSOR CLUTCH (RF3)	RIGHT FRONT COMPONENT PANEL	ENGINE COMPARTMENT
RELAY — IDLE (AS5)	RADIATOR SUPPORT	ENGINE COMPARTMENT
SUPPLEMENTARY AIR VALVE	A BANK AIR FILTER HOUSING	ENGINE COMPARTMENT
45 SECOND TIMER	BEHIND RIGHT COMPONENT PANEL	RIGHT DASH UNDER PANEL

NOTE: COMPONENT IDENTIFICATIONS WITH [A] OR [B] RATHER THAN A NUMBER INDICATE COMPONENTS WITHOUT JDS DATÁ BASE IDENTIFICATION. THESE IDENTIFICATIONS ARE PENDING.

CONNECTORS

CODE	DESCRIPTION	LOCATION / INTERFACE
AS5	RELAY BASE (BLUE)	RADIATOR SUPPORT / IDLE RELAY
AS6	3-WAY PM 5 (BLACK)	BELOW BANK A AIR FILTER / SUPPLEMENTARY AIR VALVE
EM5	3-WAY PM 5 (BLACK)	RADIATOR TOP HOSE / SUPPLEMENTARY AIR VALVE/ANTI-STALL LINK
EM39	SPADE	FUEL RAIL, RIGHT / FUEL RAIL TEMP. SWITCH
EM40	SPADE	FUEL RAIL, RIGHT / FUEL RAIL TEMP. SWITCH
FC2	4-WAY SUMITOMO STD. (RED)	BELOW RIGHT A/C OUTLET / FUEL INJECTION HARNESS
FC3	6-WAY PM HD (BLACK)	ABOVE RIGHT RELAY MOUNTING PANEL / 45 SECOND TIMER
GH11	SPADE (NATURAL)	CENTER CONSOLE / NEUTRAL SWITCH
GH12	SPADE (NATURAL)	CENTER CONSOLE / NEUTRAL SWITCH
GS1	6-WAY SUMITOMO STD. (NATURAL)	BELOW RIGHT A/C OUTLET / GEAR SELECT HARNESS
LI89	4-WAY SUMITOMO SEALED (GREEN)	CENTER OF BULKHEAD / ENGINE HARNESS
LI129	6-WAY SUMITOMO STD. (BLUE)	BELOW RIGHT A/C OUTLET / BULKHEAD HARNESS
LI137	2-WAY SPADE (BLUE)	BELOW REAR OF BANK A AIR FILTER / AIR INJECTION SOLENOID VACUUM VALVE
LI145	2-WAY SPADE (BLUE)	FRONT BANK A AIR FILTER / HOT START VACUUM SOLENOID
RF1	18-WAY SUMITOMO BLOCK (BLACK)	RIGHT 'A' POST / BULKHEAD HARNESS
RF3	RELAY BASE (GREEN)	RIGHT FRONT COMPONENT PANEL / COMPRESSOR CLUTCH RELAY
RF5	9-WAY PM 4 (BLACK)	BANK A, REAR / ENGINE HARNESS

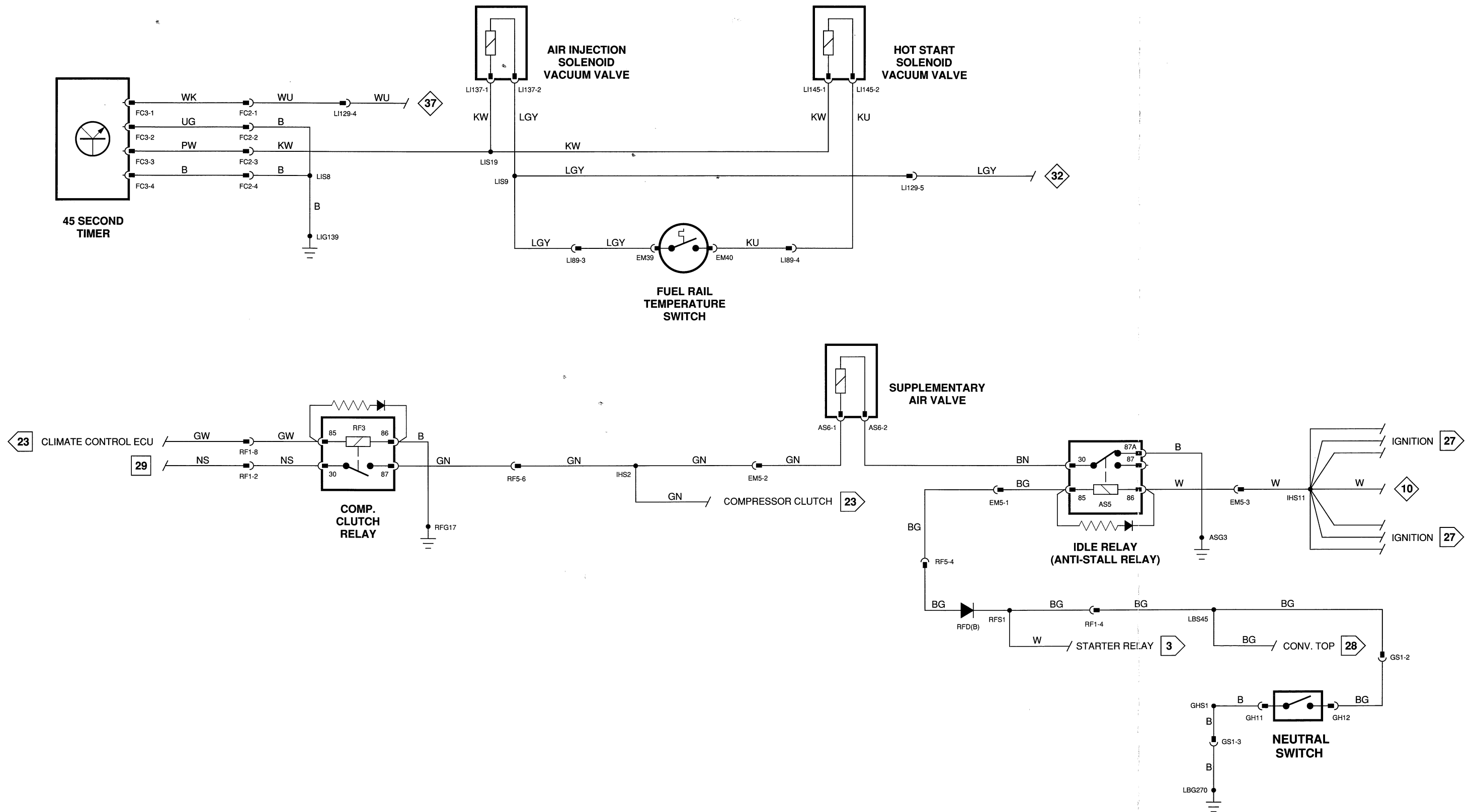
GROUNDS

CODE	DESCRIPTION	LOCATION / INTERFACE
ASG3	EYELET	FRONT LEFT RADIATOR SUPPORT MOUNT / POWER GROUND
LBG270	EYELET	RIGHT 'A' POST FASCIA END PANEL / POWER GROUND
LIG139	EYELET	BETWEEN BATTERY AND INNER WHEEL ARCH / POWER GROUND
RFG17	EYELET	FRONT RIGHT INNER FENDER BEHIND HORN RELAY / POWER GROUND

INPUTS / OUTPUTS

45 SECOND TIMER			ACTIVE	INACTIVE
CODE	IN / OUT	CIRCUIT		
FC3-1	IN	IGNITION SWITCHED POWER	12V	0V
FC3-2	IN	SOLENOID VACUUM VALVES — POWER GROUND	GROUND	GROUND
FC3-3	OUT	GROUNDS	APPROX. 1V	12V
FC3-4	OUT	POWER GROUND	GROUND	GROUND





COMPONENTS

DESCRIPTION	LOCATION	ACCESS
COIL A	REAR OF IGNITION DISTRIBUTOR CAP	ENGINE COMPARTMENT
COIL B	FRONT OF IGNITION DISTRIBUTOR CAP	ENGINE COMPARTMENT
DISTRIBUTOR	TOP CENTER OF ENGINE	ENGINE COMPARTMENT
IDLE SWITCH	BANK B THROTTLE LINKAGE	ENGINE COMPARTMENT
IGNITION ECU	PASSENGER'S FOOTWELL	REMOVE FOOTWELL COVER
POWER MODULE — BANK A	RADIATOR SUPPORT, RIGHT	ENGINE COMPARTMENT
POWER MODULE — BANK B	RADIATOR SUPPORT, LEFT	ENGINE COMPARTMENT
SENSOR — AIR TEMPERATURE	BANK A AIR FILTER HOUSING	ENGINE COMPARTMENT
SENSOR — COOLANT TEMP.	BANK A WATER MANIFOLD	ENGINE COMPARTMENT
SENSOR — ENGINE SPEED (FLYWHEEL)	FLYWHEEL, REAR OF ENGINE	BENEATH ENGINE
SENSOR — TDC (CRANKSHAFT)	FRONT OF ENGINE CRANK PULLEY	BENEATH ENGINE
STRATEGY SELECTION LINK	LEFT PLENUM DRAIN TUBE	ENGINE COMPARTMENT

CONNECTORS

CODE	DESCRIPTION	LOCATION / INTERFACE
IH1	25-WAY ECU CONNECTOR (BLACK)	PASSENGER'S FOOTWELL / IGNITION ECU
IH3	2-WAY SPADE (BLACK)	ENGINE, REAR, BELOW HOT WATER VALVE / ENGINE SPEED SENSOR
IH6	3-WAY PM 5 (BLACK)	LEFT PLENUM DRAIN / IGNITION STRATEGY LINK
IH7	4-PIN PACKARD (BLACK)	FRONT OF DISTRIBUTOR CAP / COIL B
IH8	4-PIN PACKARD (BLACK)	REAR OF DISTRIBUTOR CAP / COIL A
IH9	2-WAY SPADE (GREEN)	FRONT OF BANK A WATER MANIFOLD / COOLANT TEMPERATURE SENSOR
IH10	SPADE	BANK A AIR FILTER HOUSING / AIR TEMPERATURE SENSOR
IH11	SPADE	BANK A AIR FILTER HOUSING / AIR TEMPERATURE SENSOR
IH12	2-WAY SPADE (BLACK)	FRONT OF BANK B CAMSHAFT COVER / TDC SENSOR
IH13	7-WAY SPADE (BLACK)	RADIATOR SUPPORT, LEFT / POWER MODULE — BANK B
IH14	7-WAY SPADE (BLACK)	RADIATOR SUPPORT, RIGHT / POWER MODULE — BANK A
IH16	3-WAY PM 5 (RED)	LEFT PLENUM DRAIN / IDLE SWITCH
LI89	4-WAY SUMITOMO SEALED (GREEN)	ENGINE COMPARTMENT, REAR BULKHEAD / IGNITION ECU
RF5	9-WAY PM 4 (BLACK)	ENGINE COMPONENT 'A' BANK, REAR / BULKHEAD HARNESS

GROUNDINGS

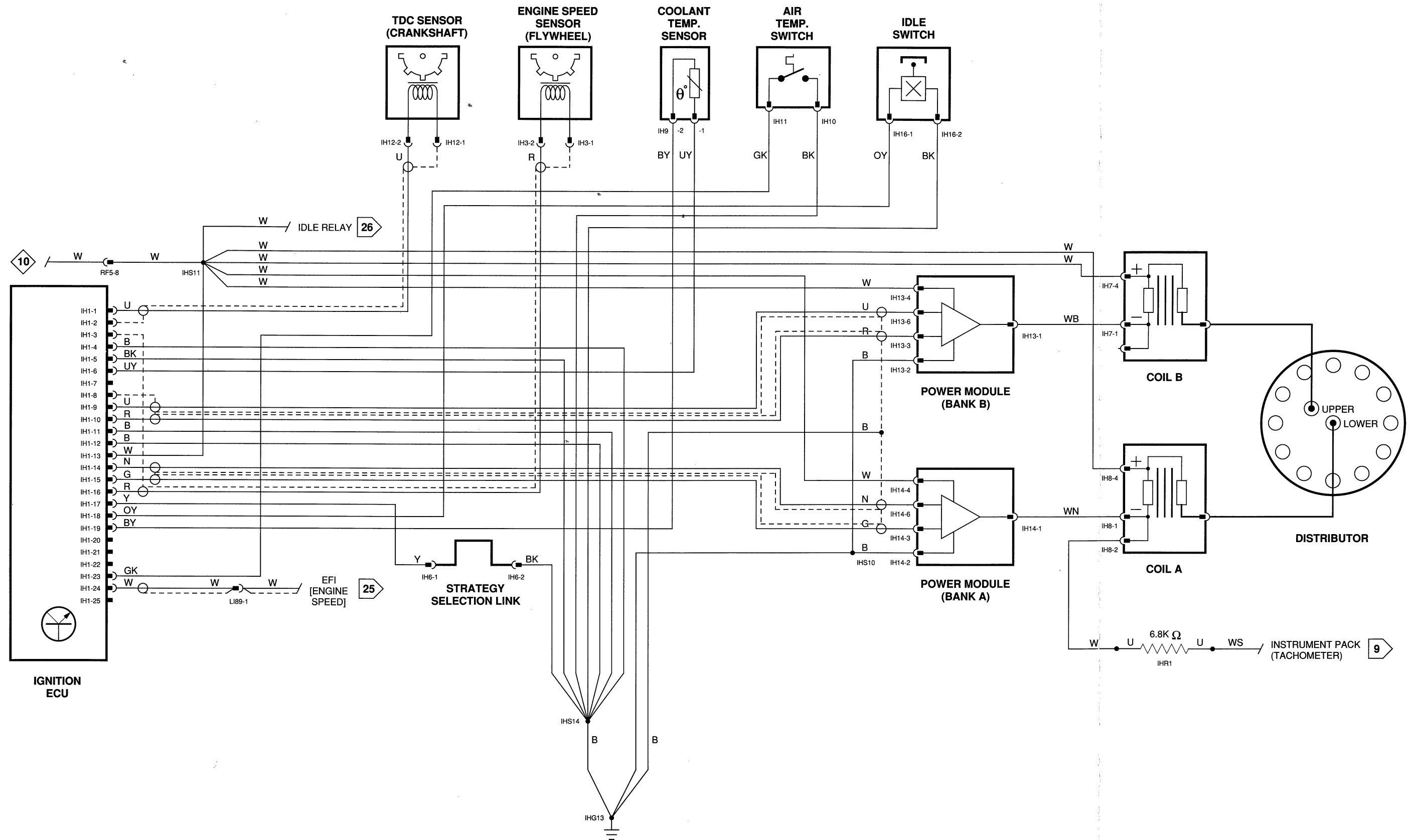
CODE	DESCRIPTION	LOCATION / INTERFACE
IHG13	EYELET	BULKHEAD BEHIND BRAKE ACTUATOR / POWER GROUND

INPUTS / OUTPUTS

IGNITION ECU

CODE	IN / OUT	CIRCUIT	ACTIVE	INACTIVE
IH1-1	IN	TDC SENSOR	AC VOLTS INCREASE W/ENGINE SPEED; PULSED SIGNAL	0V
IH1-2	OUT	SENSOR SHIELD	GROUND	GROUND
IH1-3	OUT	SENSOR SHIELD	GROUND	GROUND
IH1-4	IN	POWER GROUND	GROUND	GROUND
IH1-5	IN	LOGIC GROUND	GROUND	GROUND
IH1-6	IN	COOLANT TEMP. SENSOR GROUND	GROUND	GROUND
IH1-7	NOT USED			
IH1-8	OUT	SENSOR SHIELD	GROUND	GROUND
IH1-9	OUT	IGNITION POWER MODULE — BANK B	IDLE: APPROX. 3V	GROUND
IH1-10	OUT	IGNITION POWER MODULE — BANK B	GROUND	GROUND
IH1-11	IN	POWER GROUND	GROUND	GROUND
IH1-12	IN	POWER GROUND	GROUND	GROUND
IH1-13	IN	IGNITION SWITCHED POWER	12V	0V
IH1-14	OUT	IGNITION POWER MODULE — BANK A	IDLE: APPROX. 3V	GROUND
IH1-15	OUT	IGNITION POWER MODULE — BANK A	GROUND	GROUND
IH1-16	IN	ENGINE SPEED SENSOR	AC VOLTS INCREASE W/ENGINE SPEED; PULSED SIGNAL	0V
IH1-17	IN	TIMING STRATEGY LINK	LINK CONNECTED: GROUND	LINK DISCONNECTED: OPEN CIRCUIT
IH1-18	IN	IDLE SWITCH	THROTTLE OPEN: 10V REFERENCE	THROTTLE CLOSED: 0V
IH1-19	IN	COOLANT TEMP. SENSOR	APPROX. 2.9V @30°C	0V
IH1-20	NOT USED			
IH1-21	NOT USED			
IH1-22	NOT USED			
IH1-23	OUT	AIR TEMP. SWITCH	ABOVE 75°C: 0V	BELOW 75°C: 10V
IH1-24	OUT	AC VOLTAGE ENG. SPEED TO EFI ECU	AC VOLTS INCREASE W/ENGINE RPM	0V
IH1-25	NOT USED			





COMPONENTS

DESCRIPTION	LOCATION	ACCESS
CONVERTIBLE TOP ECU	LUGGAGE LOCKER	REMOVE COVER
CONVERTIBLE TOP FUSE	LUGGAGE LOCKER	REMOVE COVER
CONVERTIBLE TOP SWITCH	CENTER CONSOLE	REMOVE TRIM
DIODE — (RHD[A])	CENTER CONSOLE, LEFT, UNDER INSULATION	CENTER CONSOLE
LEFT QUARTER MOTOR	LEFT REAR WINDOW	BEHIND TRIM COVER
NEUTRAL SWITCH	GEARSHIFT LINKAGE	CENTER CONSOLE
PARKING BRAKE SWITCH	PARKING BRAKE	REMOVE TRIM
RELAY — LEFT QUARTER DOWN (HH20)	CONVERTIBLE TOP COMPONENT PANEL	LUGGAGE LOCKER, RIGHT
RELAY — LEFT QUARTER UP (HH21)	CONVERTIBLE TOP COMPONENT PANEL	LUGGAGE LOCKER, RIGHT
RELAY — RIGHT QUARTER DOWN (HH24)	CONVERTIBLE TOP COMPONENT PANEL	LUGGAGE LOCKER, RIGHT
RELAY — RIGHT QUARTER UP (HH25)	CONVERTIBLE TOP COMPONENT PANEL	LUGGAGE LOCKER, RIGHT
RELAY — TOP DOWN (HH22)	CONVERTIBLE TOP COMPONENT PANEL	LUGGAGE LOCKER, RIGHT
RELAY — TOP UP (HH23)	CONVERTIBLE TOP COMPONENT PANEL	LUGGAGE LOCKER, RIGHT
RIGHT QUARTER MOTOR	RIGHT REAR WINDOW	BEHIND TRIM COVER
THERMAL BREAKERS	LUGGAGE LOCKER	REMOVE COVER
TOP MOTOR	LUGGAGE LOCKER	REMOVE COVER

NOTE: COMPONENT IDENTIFICATIONS WITH [A] OR [B] RATHER THAN A NUMBER INDICATE COMPONENTS WITHOUT JDS DATA BASE IDENTIFICATION. THESE IDENTIFICATIONS ARE PENDING.

CONNECTORS

CODE	DESCRIPTION	LOCATION / INTERFACE
GH11	SPADE (NATURAL)	CENTER CONSOLE / NEUTRAL SWITCH
GH12	SPADE (NATURAL)	CENTER CONSOLE / NEUTRAL SWITCH
GS1	6-WAY SUMITOMO (NATURAL)	BELOW RIGHT A/C OUTLET / GEAR SELECT HARNESS
HH18	2-WAY SPADE (WHITE)	LUGGAGE LOCKER / TOP MOTOR
HH19	2-WAY FUSEHOLDER (BLACK)	LUGGAGE LOCKER / CONVERTIBLE TOP FUSE
HH20	RELAY BASE (NATURAL)	CONVERTIBLE TOP RELAY PANEL / LEFT QUARTER DOWN RELAY
HH21	RELAY BASE (YELLOW)	CONVERTIBLE TOP RELAY PANEL / LEFT QUARTER UP RELAY
HH22	RELAY BASE (BLUE)	CONVERTIBLE TOP RELAY PANEL / TOP DOWN RELAY
HH23	RELAY BASE (GREEN)	CONVERTIBLE TOP RELAY PANEL / TOP UP RELAY
HH24	RELAY BASE (BLACK)	CONVERTIBLE TOP RELAY PANEL / RIGHT QUARTER DOWN RELAY
HH25	RELAY BASE (RED)	CONVERTIBLE TOP PANEL / RIGHT QUARTER UP RELAY
HH26	3-WAY SUMITOMO BLOCK (NATURAL)	BELOW CONVERTIBLE TOP RELAY PANEL / CONVERTIBLE TOP ECU
HH27	SPADE	FRONT OF CONVERTIBLE TOP RELAY PANEL / LEFT QUARTER MOTOR THERMAL BREAKER
HH28	SPADE	FRONT OF CONVERTIBLE TOP RELAY PANEL / LEFT QUARTER MOTOR THERMAL BREAKER
HH29	SPADE	REAR OF CONVERTIBLE TOP RELAY PANEL / RIGHT QUARTER MOTOR THERMAL BREAKER
HH30	SPADE	REAR OF CONVERTIBLE TOP RELAY PANEL / RIGHT QUARTER MOTOR THERMAL BREAKER
HH31	6-WAY PM 4 (BLACK)	BETWEEN TOP & REAR QUARTER MOTORS / REAR HARNESS
HH32	6-WAY SUMITOMO STD. (NATURAL)	BETWEEN HOOD PUMP & REAR QUARTER / REAR HARNESS
RH133	SPADE	BELOW HAND BRAKE TRIM / PARKING BRAKE SWITCH
RH134	SPADE	BELOW HAND BRAKE TRIM / PARKING BRAKE SWITCH
RH135	SPADE	BELOW HAND BRAKE TRIM / PARKING BRAKE SWITCH
RH145	3-WAY PM 5 (BLACK)	BEHIND REAR QUARTER TRIM / RIGHT QUARTER MOTOR
RH147	3-WAY PM 5 (BLACK)	BEHIND REAR QUARTER TRIM / LEFT QUARTER MOTOR
RH150	6-WAY S/T BLOCK (WHITE)	CENTER CONSOLE / CONVERTIBLE TOP SWITCH
RH161	20-WAY SUMITOMO BLOCK (NATURAL)	BELOW LEFT A/C OUTLET / REAR HARNESS

GROUND

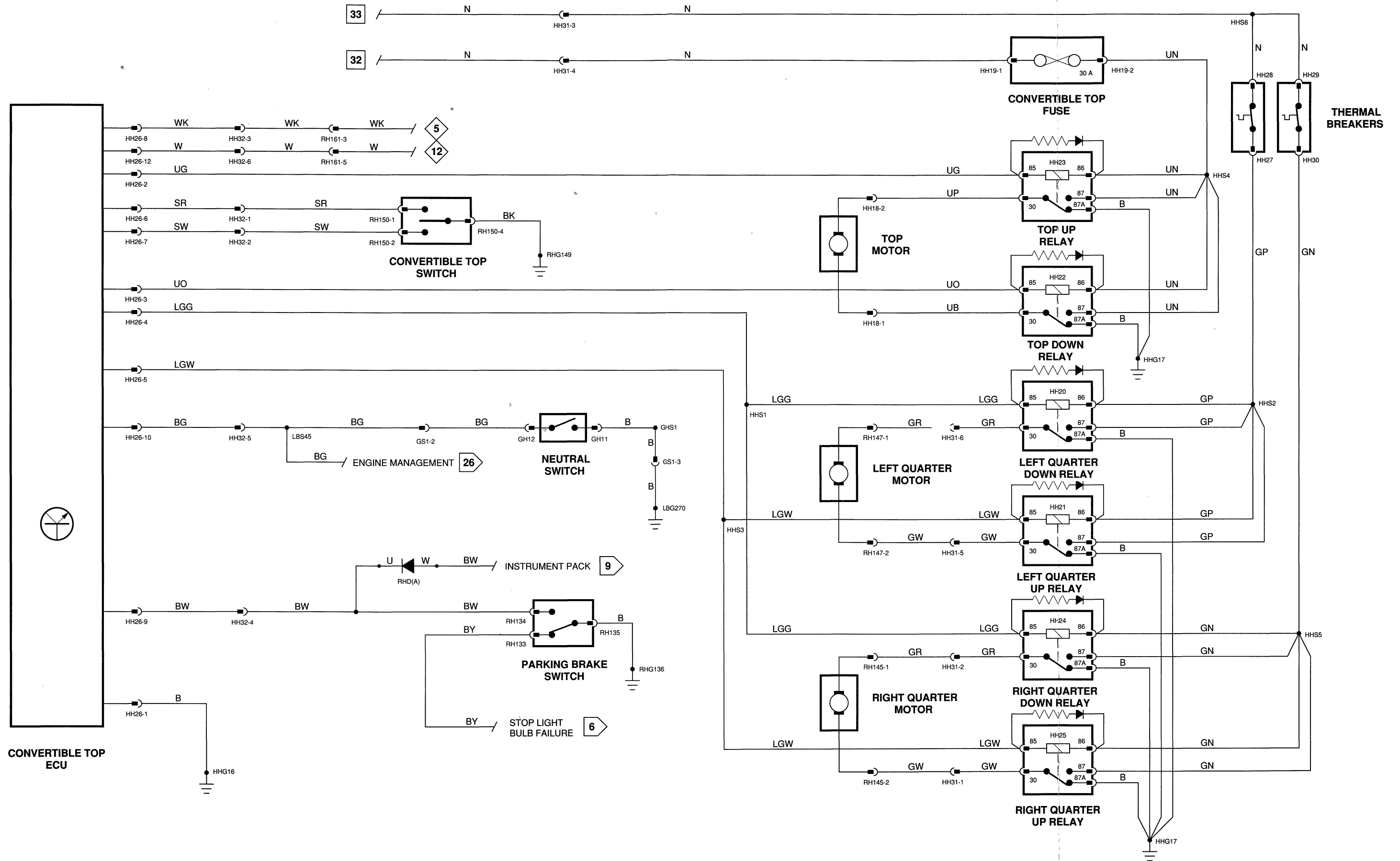
CODE	DESCRIPTION	LOCATION / INTERFACE
HHG16	EYELET	BETWEEN POWER HOOD PUMP AND REAR QUARTER / POWER GROUND
HHG17	EYELET	BETWEEN POWER HOOD PUMP AND REAR QUARTER / POWER GROUND
LBG270	EYELET	RIGHT 'A' POST FASCIA END PANEL / POWER GROUND
RHG136	EYELET	BASE OF HAND BRAKE / POWER GROUND
RHG149	EYELET	TRANSMISSION TUNNEL / LOGIC GROUND

INPUTS / OUTPUTS

CONVERTIBLE TOP ECU

CODE	IN / OUT	CIRCUIT	ACTIVE	INACTIVE
HH26-1	IN	POWER GROUND	GROUND	GROUND
HH26-2	OUT	CONVERTIBLE TOP UP RELAY	GROUND	12V
HH26-3	OUT	CONVERTIBLE TOP DOWN RELAY	GROUND	12V
HH26-4	OUT	LEFT/RIGHT QUARTER DOWN RELAY	GROUND	12V
HH26-5	OUT	LEFT/RIGHT QUARTER UP RELAY	GROUND AFTER 8 SEC. DELAY	12V
HH26-6	IN	CONVERTIBLE TOP SWITCH — UP	BUTTON IN: GROUND	BUTTON OUT: 5V
HH26-7	IN	CONVERTIBLE TOP SWITCH — DOWN	BUTTON IN: GROUND	BUTTON OUT: 5V
HH26-8	IN	IGNITION SWITCHED POWER	12V	0V
HH26-9	IN	PARKING BRAKE SWITCH	BRAKE ON: GROUND	OFF: 12V
HH26-10	IN	NEUTRAL SWITCH	"P" OR "N": GROUND	"D" OR "R": 12V
HH26-12	IN	IGNITION SWITCHED POWER	12V	0V





COMPONENTS

DESCRIPTION	LOCATION	ACCESS
BACKUP BATTERY	RIGHT TAIL LIGHT	LENS TRIM PANEL
DIODE — (LBD[A])	BEHIND RIGHT BLOWER MOTOR	RIGHT BLOWER
DIODE — (LBD[B])	BEHIND RIGHT BLOWER MOTOR	RIGHT BLOWER
DRIVER'S DOOR SWITCH	DRIVER'S 'A' POST	LEFT DASH UNDER PANEL
MOTION DETECTOR	RIGHT TAIL LIGHT	LENS TRIM PANEL
PASSENGER'S DOOR SWITCH	RIGHT 'A' POST	RIGHT DASH UNDER PANEL
RELAY — HEADLIGHT FLASH (SC2)	LEFT FUSE PANEL	LEFT DASH UNDER PANEL
RELAY — START INHIBIT (SC3)	LEFT FUSE PANEL	LEFT DASH UNDER PANEL
SECURITY SYSTEM ECU	RIGHT TAIL LIGHT	LENS TRIM PANEL
SIREN	LEFT FRONT INNER WHEEL ARCH	INNER WHEEL TRIM
TRUNK LIGHT SWITCH	TRUNK LATCH ASSEMBLY	REMOVE LATCH
VALET SWITCH AND LED	STEERING COLUMN COWL	COWL

NOTE: COMPONENT IDENTIFICATIONS WITH [A] OR [B] RATHER THAN A NUMBER INDICATE COMPONENTS WITHOUT JDS DATA BASE IDENTIFICATION. THESE IDENTIFICATIONS ARE PENDING.

CONNECTORS

CODE	DESCRIPTION	LOCATION / INTERFACE
BL11	10-WAY SUMITOMO STD. (NATURAL)	ABOVE EFI ECU / REAR HARNESS
BL12	2-WAY AMP	ABOVE TRUNK LATCH MECHANISM / TRUNK LIGHT SWITCH
LB188	2-WAY SUMITOMO STD. (WHITE)	LEFT DASH UNDER PANEL, 6 IN. FROM 'A' POST / DRIVER'S DOOR SWITCH
LB140	2-WAY SUMITOMO STD. (NATURAL)	RIGHT DASH UNDER PANEL, 6 IN. FROM 'A' POST / PASSENGER'S DOOR SWITCH
LF1	18-WAY SUMITOMO BLOCK (BLACK)	LEFT 'A' POST / SIREN
LF44	BULLET	LEFT FRONT INNER WHEEL ARCH / SIREN
LF45	BULLET	LEFT FRONT INNER WHEEL ARCH / SIREN
RH174	14-WAY SUMITOMO BLOCK (BLUE)	BELOW LEFT A/C OUTLET / SECURITY SYSTEM HARNESS
SC1	SPADE	STEERING COLUMN COWL / VALET SWITCH
SC2	RELAY BASE (BLUE)	LEFT FUSE PANEL / HEADLIGHT FLASH RELAY
SC3	RELAY BASE (PURPLE)	LEFT FUSE PANEL / START INHIBIT RELAY
SC4	SPADE	STEERING COLUMN COWL / VALET SWITCH
SS1	16-WAY SUMITOMO BLOCK (NATURAL)	RIGHT TAIL LIGHT / SECURITY SYSTEM ECU
SS2	10-WAY SUMITOMO STD. (RED)	ABOVE LEFT FUSE PANEL / SECURITY SYSTEM RELAY HARNESS
ST2	14-WAY ECU BOARD CONNECTOR	RIGHT TAIL LIGHT / SECURITY SYSTEM ECU
ST3	16-WAY ECU BOARD CONNECTOR	RIGHT TAIL LIGHT / SECURITY SYSTEM ECU
ST4	3-WAY SUMITOMO STD. (NATURAL)	RIGHT TAIL LIGHT / MOTION DETECTOR
ST5	2-WAY SUMITOMO STD. (NATURAL)	RIGHT TAIL LIGHT / BACKUP BATTERY

GROUNDS

CODE	DESCRIPTION	LOCATION / INTERFACE
LGB161	EYELET	LEFT SIDE OF TRANSMISSION TUNNEL / LOGIC GROUND
LGB201	EYELET	LAFT 'A' POST FASCIA / POWER GROUND
RHG105	EYELET	BETWEEN BATTERY AND INNER WHEEL ARCH / POWER GROUND
RHG106	EYELET	BETWEEN BATTERY AND INNER WHEEL ARCH / POWER GROUND



