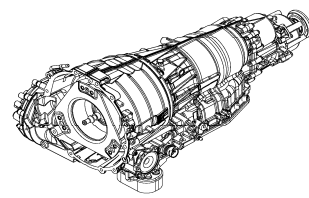
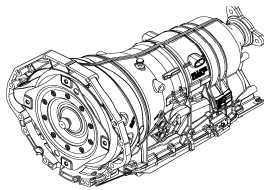
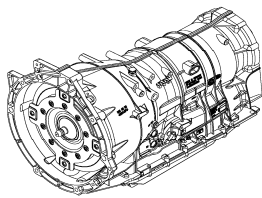


# ZF 6HP26 / 6HP28



6HP26  
6HP28

Automatic Transmission Spare Parts Catalog

## Warranty Information

Warranty coverage for ZF passenger car transmission spare parts and kits covers the first 12 months after installation in the vehicle, or 24 months after purchase from ZF Services.

Warranty of the product is limited to replacement or repair, if found to be defective in ZF material or workmanship and specifically does not cover removal, reinstallation, or any costs incidental to the repair of the vehicle or any kind of consequential damages.

All warranty and/or non-warranty returns must be approved.

## Disclaimer

The specifications and information shown in this catalog have been compiled from accepted and reliable sources and is believed to be accurate at the time of publication. While ZF Services believes this information is correct, no guarantee or warranty is made as to the accuracy of the information and ZF Services cannot and does not accept or assume any responsibilities for errors, omissions, or consequential harm or damages. Replacement parts should not be used when they do not appear to fit. ZF Services disclaims all liability and responsibility for any harm resulting from any such modifications.

## Copyright

Printed in USA - Copyright © 2008 ZF Services

No part of this publication may be reproduced, stored in a retrieval system, or transmitted, in any form or by any means, electronic, mechanical, photocopying, recording, or otherwise, without prior written permission of ZF Services.

## Distributed By

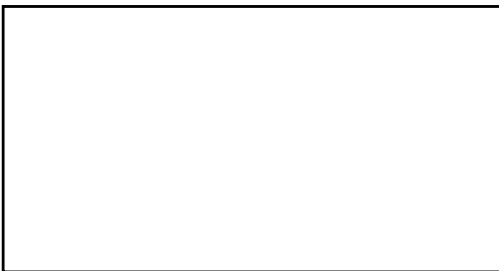




Table of Contents

6HP26 / 6HP28

**Technical Information**

Torque, Gear Ratio & Weight_____	2
Oil Capacity_____	2
6HP26 / 6HP28 Lubricants_____	2
6HP26 / 6HP28 Technical Literature_____	2
6HP26 / 6HP28 General Transmission Oil Filling Procedure_____	3 - 7
How To Use This Catalog_____	8
Type Plate Information_____	9

**6HP26 1068 010 XXX / 6HP28 1068 040 XXX**

**Spare Parts**

Gearbox Housing Group_____	10
Torque Converter Group_____	11
Oil Supply Group_____	12
Front Planetary Group_____	13
Rear Planetary Group_____	14
Coupling A Group_____	15
Coupling B Group_____	16
Coupling C Group_____	17
Coupling D Group_____	18
Coupling E Group_____	19
Output Group_____	20
Filter Group_____	21
Mechatronic Group_____	22
Gear Shift System E-Shift Group_____	23
Gear Shift System M-Shift Group_____	24
Parking Lock Group_____	25

**Selective Shims, Snap Rings, Steel Plate & Kits Content**

Selective Shims_____	26
Selective Snap Rings_____	27 - 28
Selective Steel Plate_____	29
Kits Content_____	30 - 35



Technical Information

**Torque, Gear Ratio & Weight**

Input Torque	1 Gear	2 Gear	3 Gear	4 Gear	5 Gear	6 Gear	Rev Gear	Drive	Weight (incl. oil)
326 ftlbs to 444 ftlbs (model specific)	4.17	2.34	1.52	1.14	0.87	0.69	3.40	RWD	~196 lbs.

**Oil Capacity**

9.4 liters (10 Quarts) + 0.5 liter (0.53 Quarts) for cooling system

**6HP26 / 6HP28 Lubricants**

Amount	ZF Part #	Oil Grade
1 Liter Bottle	S671 090 255	ZF LifeGuardFluid 6
20 Liter Canister	S671 090 253	ZF LifeGuardFluid 6
209 Liter Drum	S671 090 252	ZF LifeGuardFluid 6

**Note:** ZF recommends the use of LifeGuardFluid 6 for optimal performance.

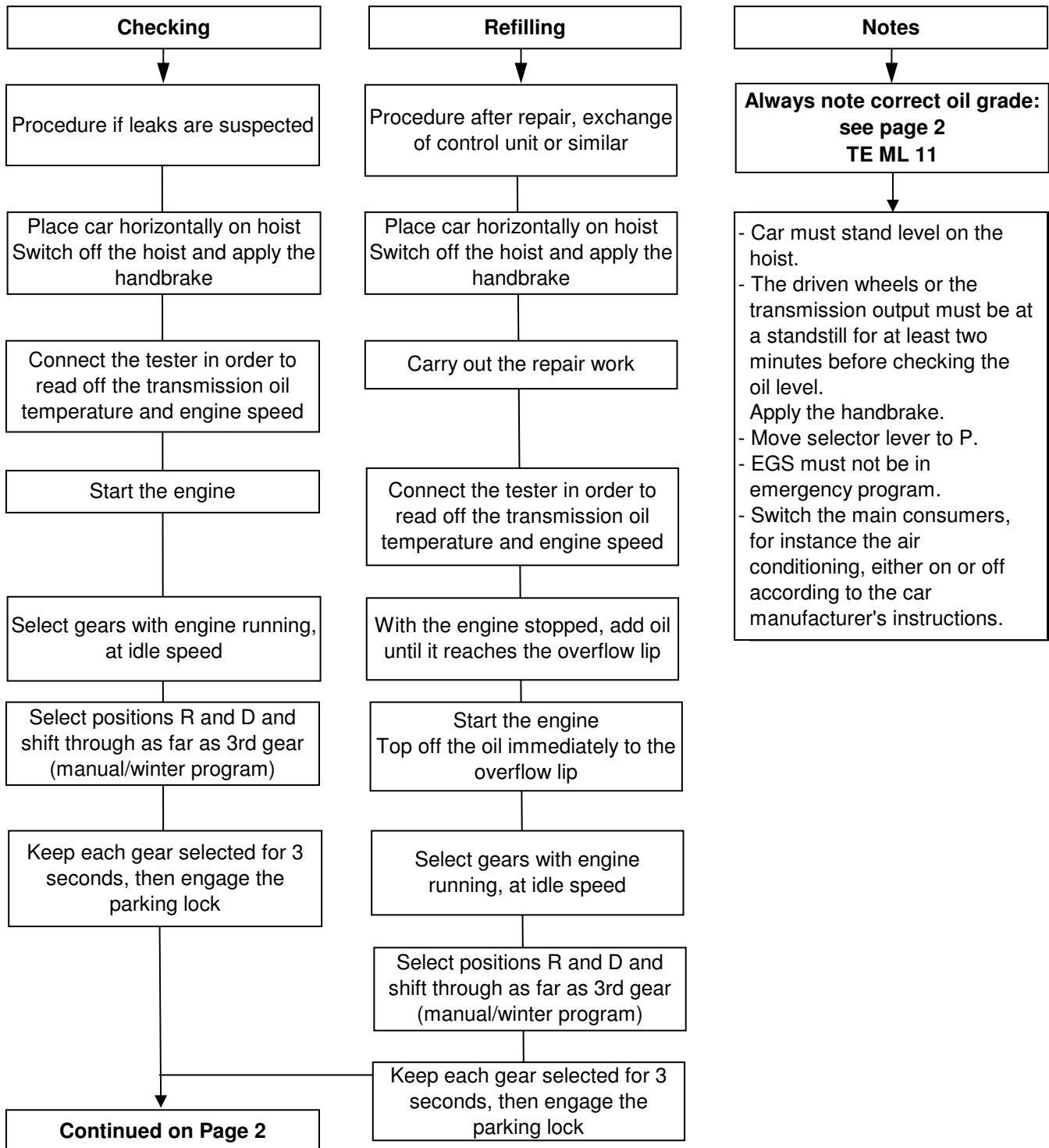
**6HP26 / 6HP28 Technical Literature**

Language	ZF Part #	Description
English	1068 766 702	6HP26 / 6HP28 REPAIR MANUAL (CD)
English	1068 766 701	6HP26 / 6HP28 FUNCTIONAL DESCRIPTION - BMW (CD)
English	1068 766 704	6HP26 / 6HP28 FUNCTIONAL DESCRIPTION - AUDI (CD)



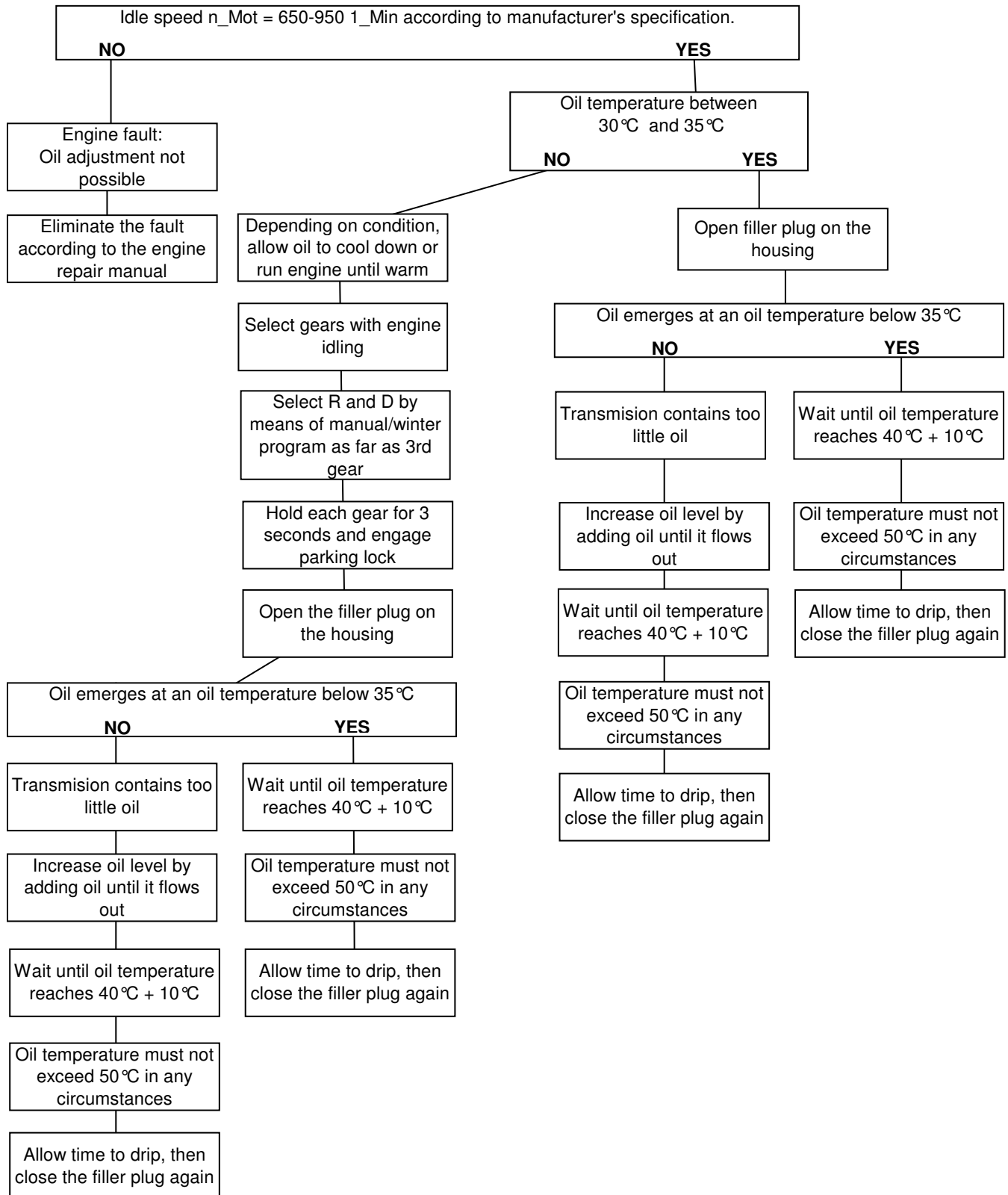
6HP26 / 6HP28 General Transmission Oil Filling Procedure

**Adding oil to 6HP26 / 6HP28 automatic transmission  
- general - up to overflow at 40 °C**



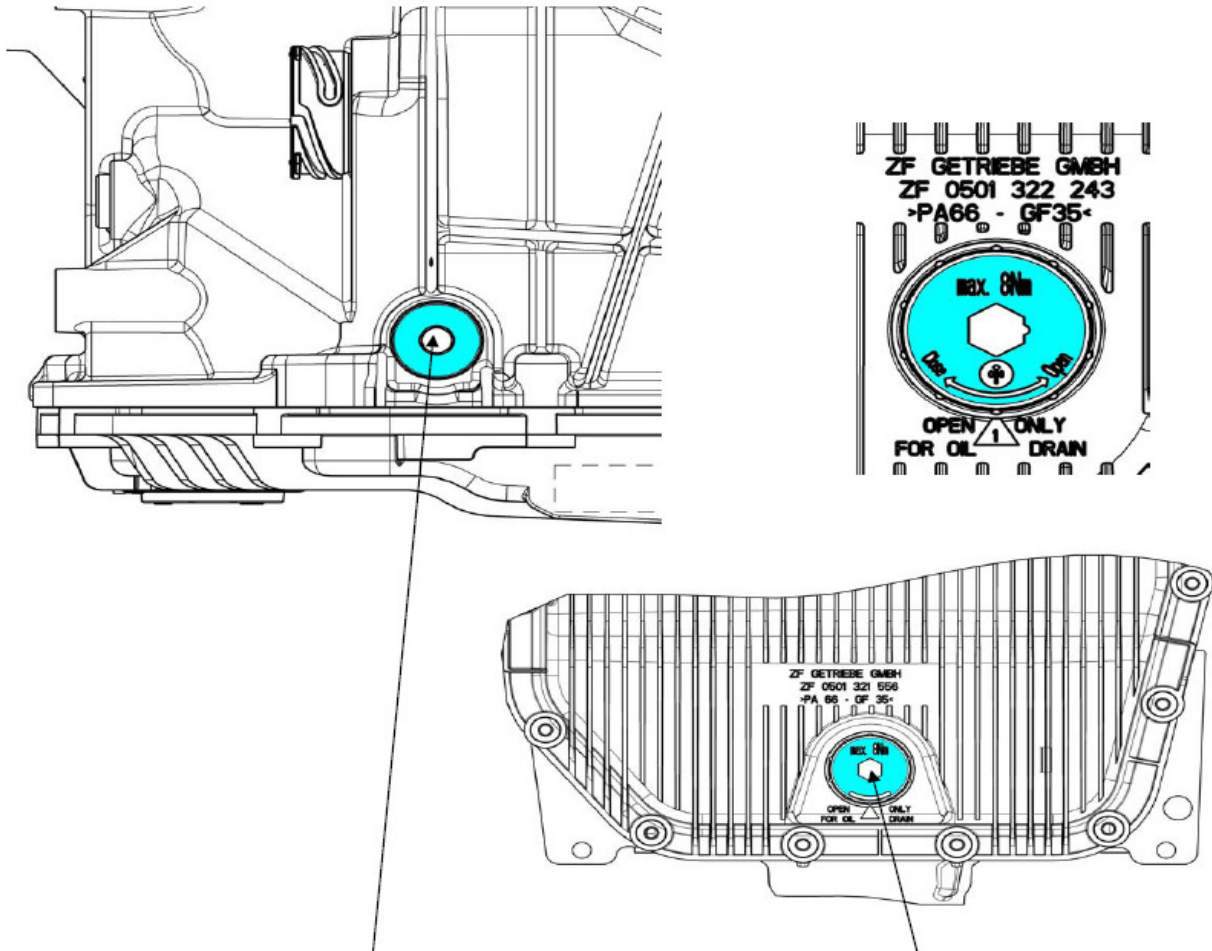


6HP26 / 6HP28 General Transmission Oil Filling Procedure (continued)



6HP26 / 6HP28 General Transmission Oil Filling Procedure (continued)

Oil service 6HP26 / 6HP28 BMW



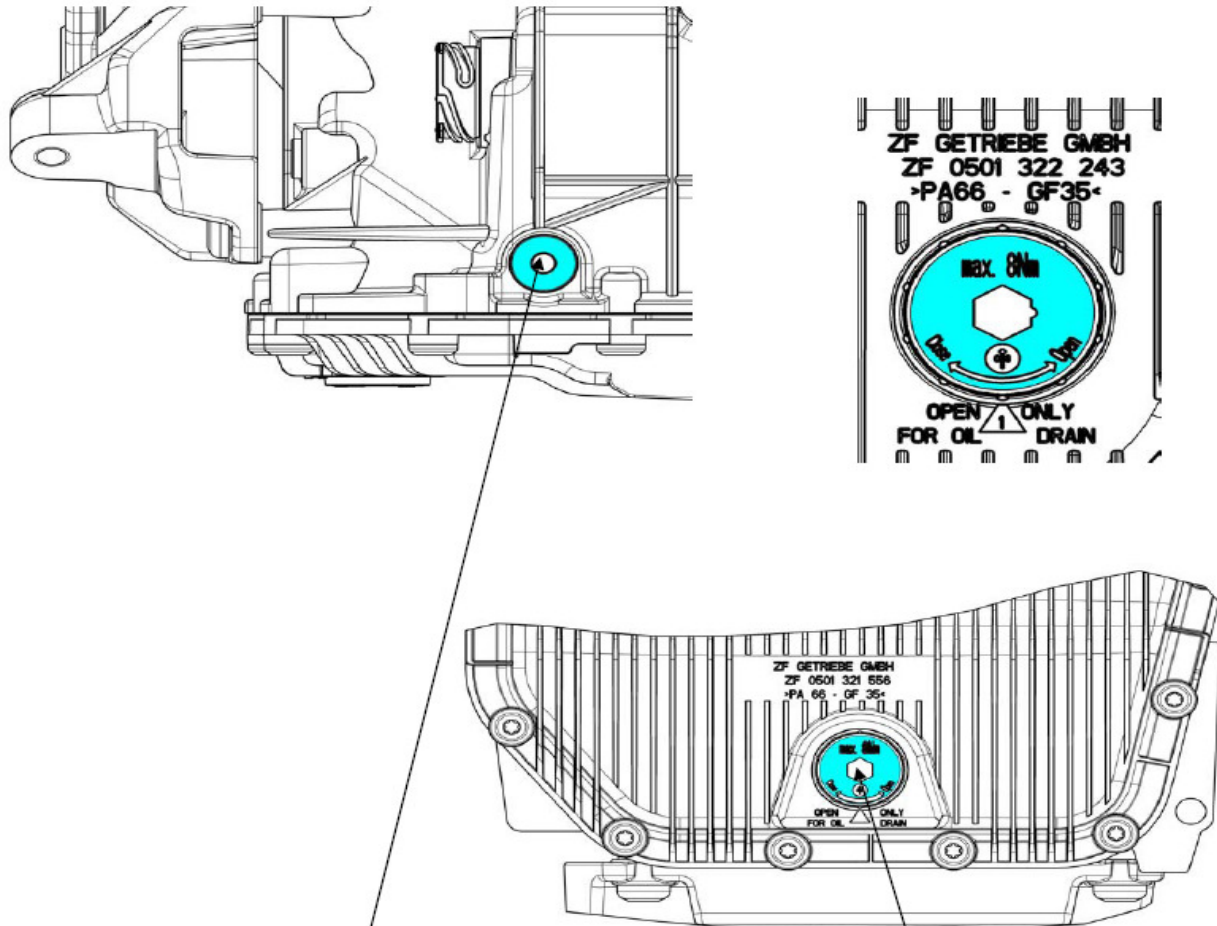
Oil filler screw and oil level screw	M18X1.5
Internal hexagon	8 mm
Tightening torque	35 Nm ± 3.5 Nm

Oil drain plug	M24X1
Internal hexagon	12 mm
Tightening torque	8 Nm



6HP26 / 6HP28 General Transmission Oil Filling Procedure (continued)

Oil service 6HP26 Ford



Oil filler screw and oil level screw	M18X1.5
Internal hexagon	8 mm
Tightening torque	35 Nm ± 3.5 Nm

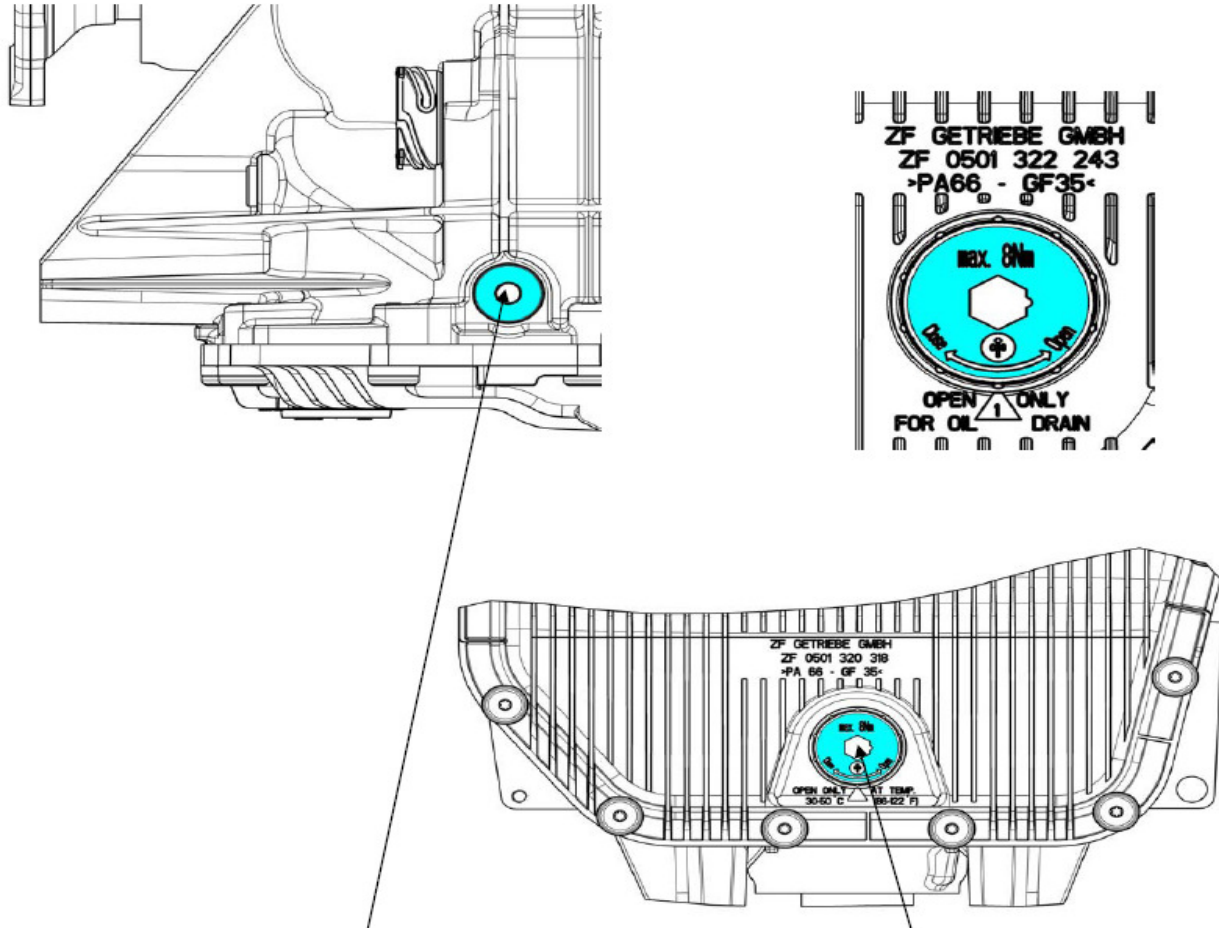
Oil drain plug	M24X1
Internal hexagon	10 mm
Tightening torque	8 Nm





6HP26 / 6HP28 General Transmission Oil Filling Procedure (continued)

Oil service 6HP26 / 6HP28 Jaguar



Oil filler screw and oil level screw	M18X1.5
Internal hexagon	8 mm
Tightening torque	35 Nm ± 3.5 Nm

Oil drain plug	M24X1
Internal hexagon	10 mm
Tightening torque	8 Nm



## How To Use This Catalog

### Table of Contents

Each transmission group of this catalog is listed in the table of contents. This spare parts catalog includes only transmission specification numbers for North American applications.

### Technical Information

All technical information is specific to the transmission models that are referenced in this catalog. Weight and oil capacity information are only approximate and may vary by actual transmission specification. For any technical inquiry, please contact your preferred ZF passenger car transmission distributor for assistance. For a list of technical literature available from ZF or for answers to frequently asked questions about ZF transmissions visit us at [www.zf.com/na](http://www.zf.com/na).

### Spare Parts

Each transmission is divide into groups (e.g. gearbox housing group). The position number (**Position #**) is used to identify the location of each spare part in the transmission. A position number like 01.010 is either a spare part or an assembly. A position number like 01.010/110 is a subcomponent of an assembly. Please contact your preferred ZF passenger car transmission distributor about availability of assemblies and subcomponents.

Contact ZF for the most updated part number (for example: 6HP26 1068 010 XXX). Please, have the position number and model number prepared when you call. Thank you.

Use our toll free Service-Hotline: 1-800-451-2595.

The description (**Description**) identifies the spare part.

The quantity (**Quantity**) is the amount of spare parts included in one transmission model for a certain position number. The quantity may vary depending on the transmission specification and certain spare parts may be used in multiple positions in the transmission.

The notes column (**Notes**) gives more information about the spare part (e.g. included in a kit).

Example

### OIL SUPPLY GROUP

Position #	Description	Quantity	Notes
10.010	PUMP	1	
10.010/150	NEEDLE SLEEVE	1	
10.090	SHIM	1	Selective shim; see page 26.

### Selective Shims, Snap Rings, Steel Plate & Kits Content

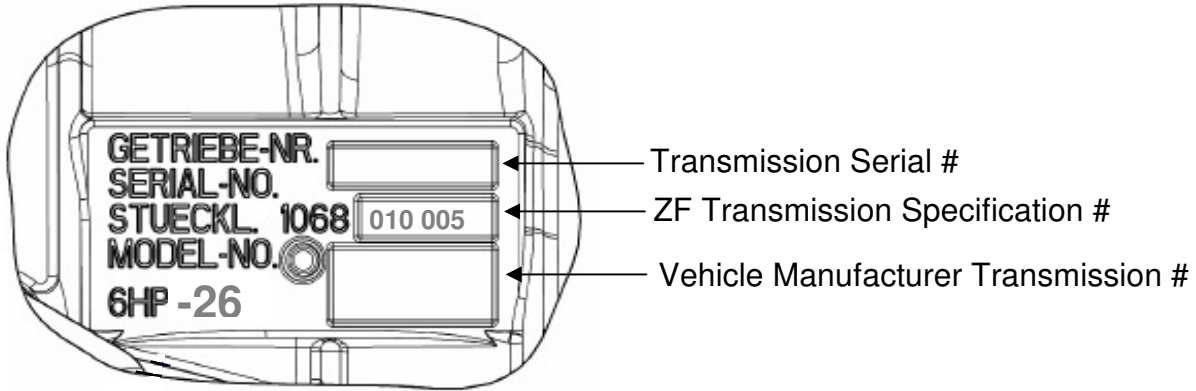
Each list for selective shims, snap rings or steel plate is listed in this section of the catalog. Please measure the clearance according to the repair manual and select the required spare part from the table.

The kits content section shows all available kits for the transmission models that are referenced in this catalog, including the content of each kit.

**Mechatronic and Valve Body are only available as complete Service-Mechatronic.**

## Type Plate Information

The type plate is located on the main housing of the transmission. Please refer to the ZF transmission specification # when searching for spare parts and kits in this catalog.

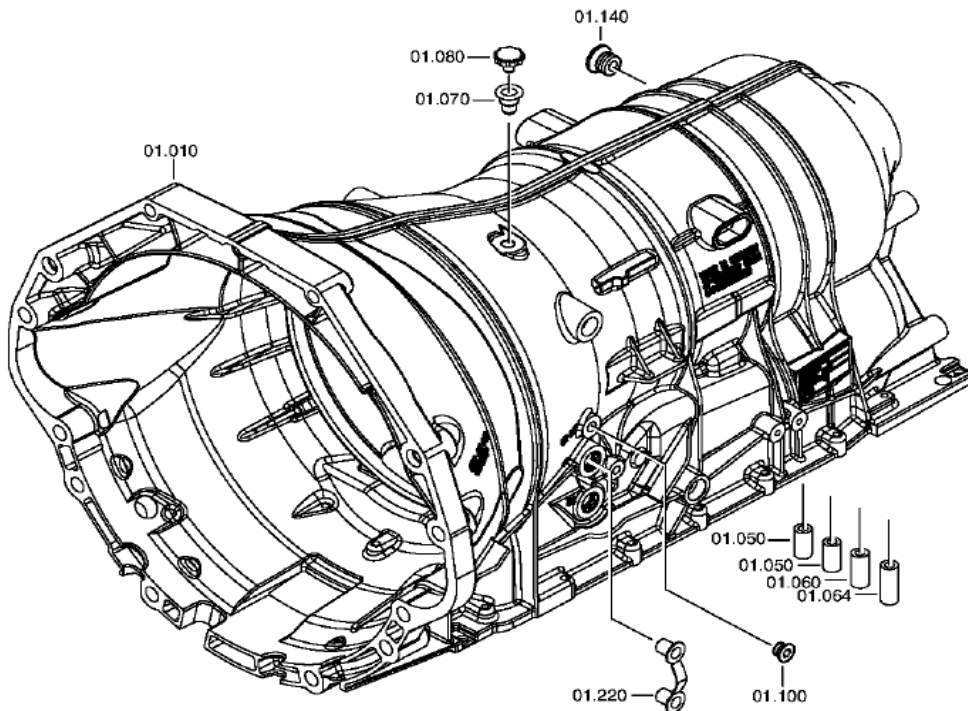




6HP26 1068 010 XXX / 6HP28 1068 040 XXX

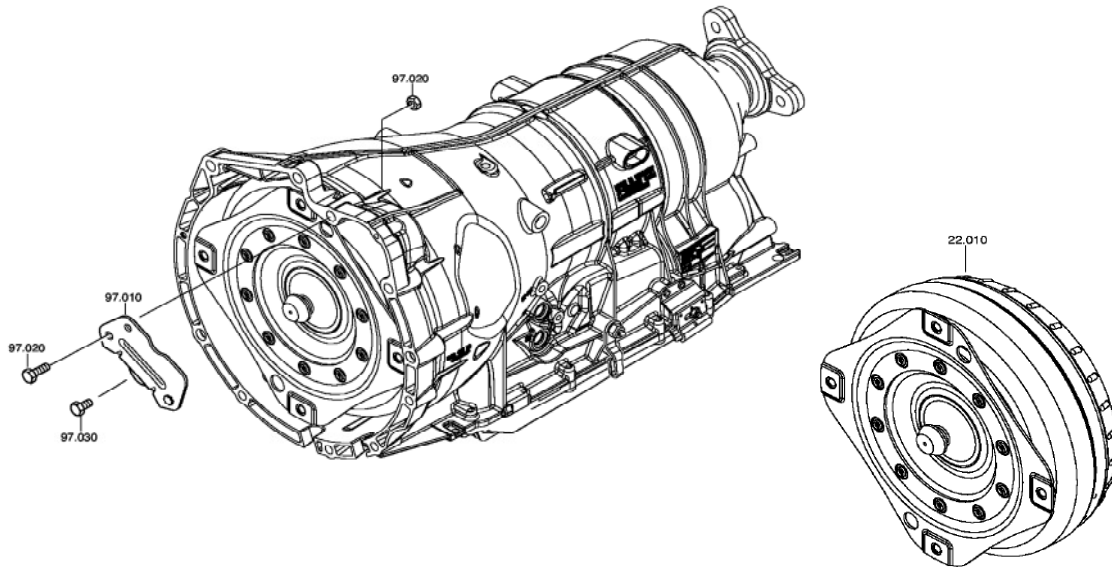
GEARBOX HOUSING GROUP

Position #	Description	Quantity	Notes
01.010	GEARBOX HOUSING	1	
01.050	SEALING SLEEVE	2	Included in overhaul kit; see page 34.
01.060	SEALING SLEEVE	1	Included in overhaul kit; see page 34.
01.064	SEALING SLEEVE	1	Included in overhaul kit; see page 34.
01.070	BREATHER TUBE	1	
01.080	BREATHER COVER	1	
01.100	SCREW PLUG	1	M10X1; Included in overhaul kit; see page 34.
01.140	SCREW PLUG	1	M18X1.5
01.220	PLUG	1	Included in overhaul kit; see page 34.



**TORQUE CONVERTER GROUP**

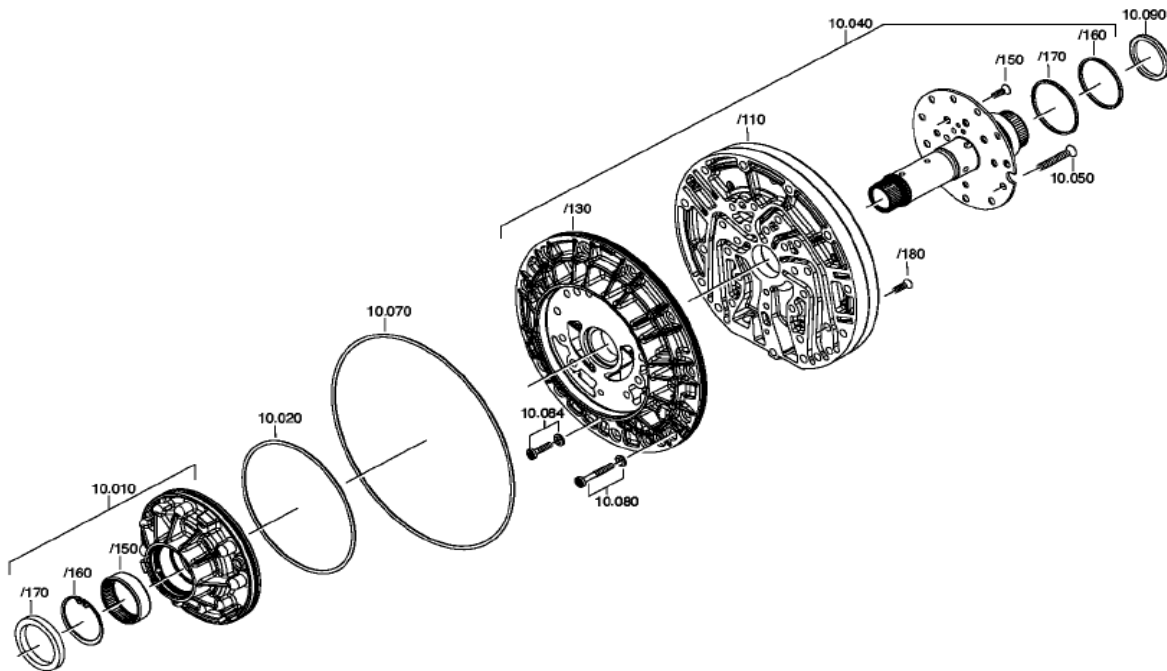
Position #	Description	Quantity	Notes
22.010	CONVERTER	1	
97.010	RETAINING CLIP	1	
97.020	BOLT + NUT	1	
97.030	HEXAGON BOLT	1	





**OIL SUPPLY GROUP**

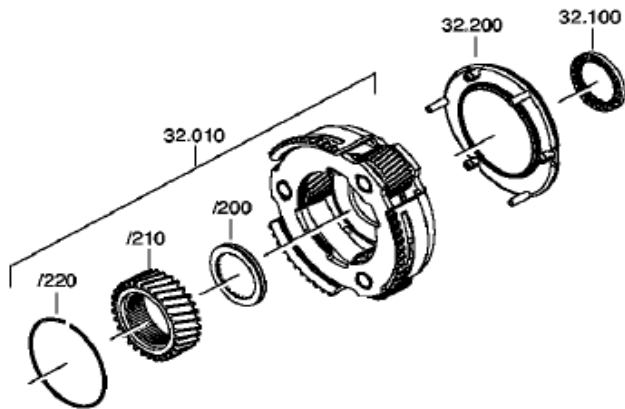
Position #	Description	Quantity	Notes
10.010	PUMP ASSEMBLY	1	
10.010/150	NEEDLE SLEEVE	1	
10.010/160	SNAP RING	1	
10.010/170	SHAFT SEAL	1	Included in overhaul kit; see page 34.
10.020	ROUND SEALING RING	1	Included in overhaul kit; see page 34.
10.040	INTERMEDIATE PLATE ASSEMBLY	1	
10.040/110	INTERMEDIATE PLATE	1	
10.040/130	CENTERING PLATE	1	
10.040/150	COUNTER SPRING	6	M6X28
10.040/160	PISTON RING	1	Included in overhaul kit; see page 34.
10.040/170	PISTON RING	1	Included in overhaul kit; see page 34.
10.040/180	COUNTER SPRING	4	M6X28
10.050	COUNTER SPRING	11	M6X46
10.070	ROUND SEALING RING	1	Included in overhaul kit; see page 34.
10.080	TORX SCREW WITH USIT RING	13	
10.084	TORX SCREW WITH USIT RING	14	Included in overhaul kit; see page 34.
10.090	SHIM	1	Selective shim; see page 26.





**FRONT PLANETARY DRIVE GROUP**

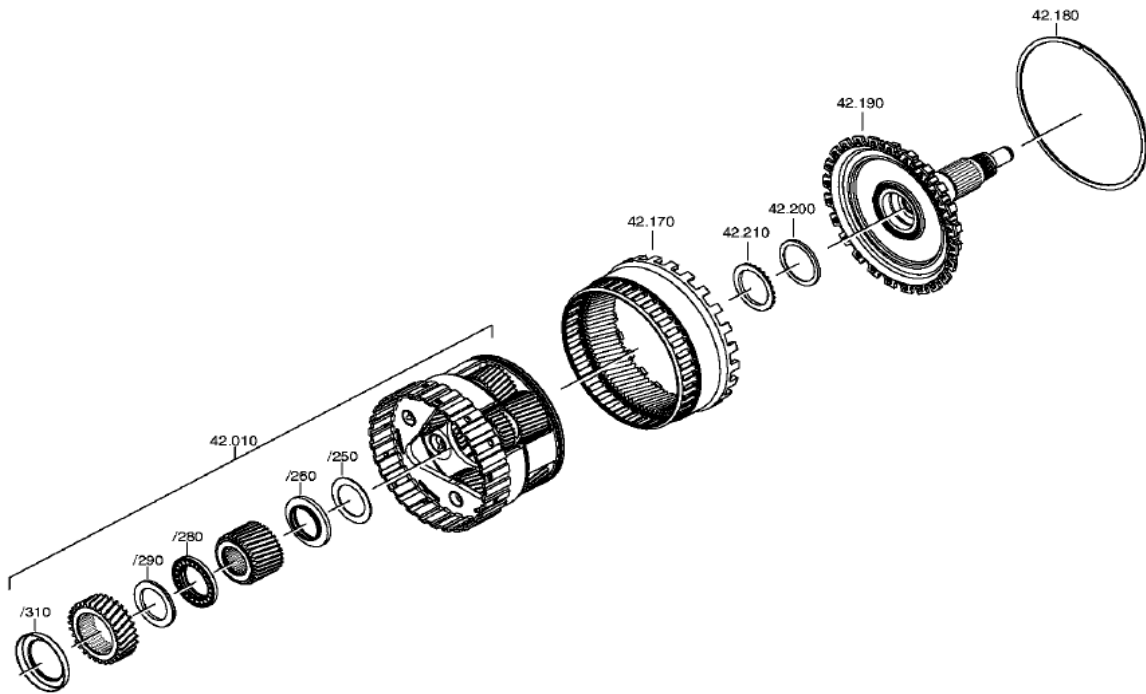
Position #	Description	Quantity	Notes
32.010	PLANETARY ASSEMBLY	1	
32.010/200	AXIAL NEEDLE BEARING	1	
32.010/210	SUN GEAR	1	
32.010/220	SNAP RING	1	
32.100	AXIAL NEEDLE BEARING	1	
32.200	OIL TRAY	1	





**REAR PLANETARY DRIVE GROUP**

Position #	Description	Quantity	Notes
42.010	PLANET ASSEMBLY	1	
42.010/250	AXIAL WASHER	1	1.00 mm
42.010/260	AXIAL NEEDLE BEARING	1	
42.010/280	AXIAL NEEDLE BEARING	1	
42.010/290	AXIAL WASHER	1	3.20 mm
42.010/310	AXIAL WASHER	1	
42.170	RING GEAR	1	
42.180	SNAP RING	1	
42.190	OUTPUT SHAFT	1	
42.200	AXIAL WASHER	1	1.00 mm
42.210	AXIAL NEEDLE BEARING	1	

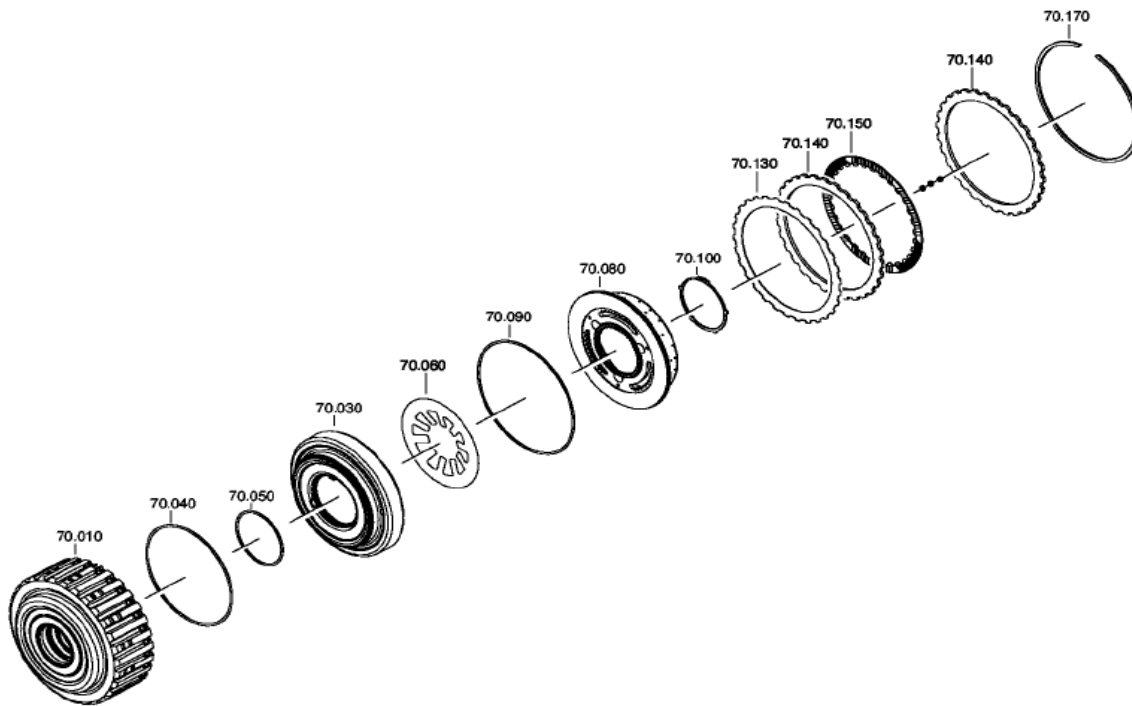






**COUPLING A GROUP**

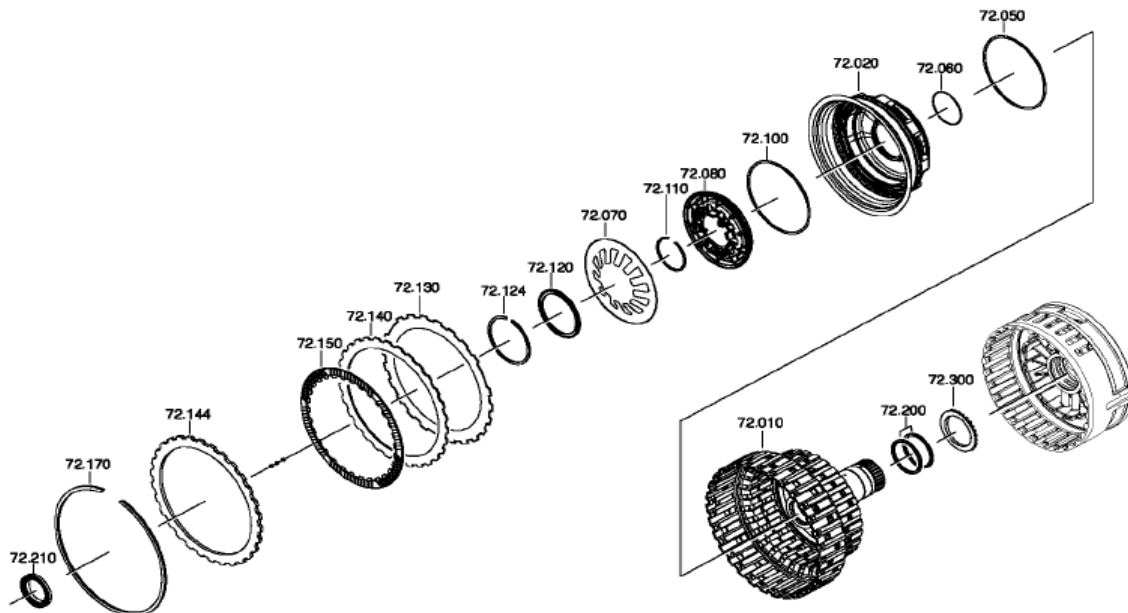
Position #	Description	Quantity	Notes
70.010	CYLINDER	1	
70.030	PISTON	1	
70.040	ROUND SEALING RING	1	Included in overhaul kit; see page 34.
70.050	ROUND SEALING RING	1	Included in overhaul kit; see page 34.
70.060	CUP SPRING	1	
70.080	OIL DAM	1	
70.090	ROUND SEALING RING	1	Included in overhaul kit; see page 34.
70.100	K-RING	1	
70.130	UNDULATING SPRING	1	
70.140	STEEL PLATE	6	3.00 mm; Included in steel kit; see pages 32 & 33.
70.150	FRICTION PLATE	5	Included in friction kit; see pages 30 & 31.
70.170	SNAP RING	1	Selective snap ring; see page 27.





**COUPLING B GROUP**

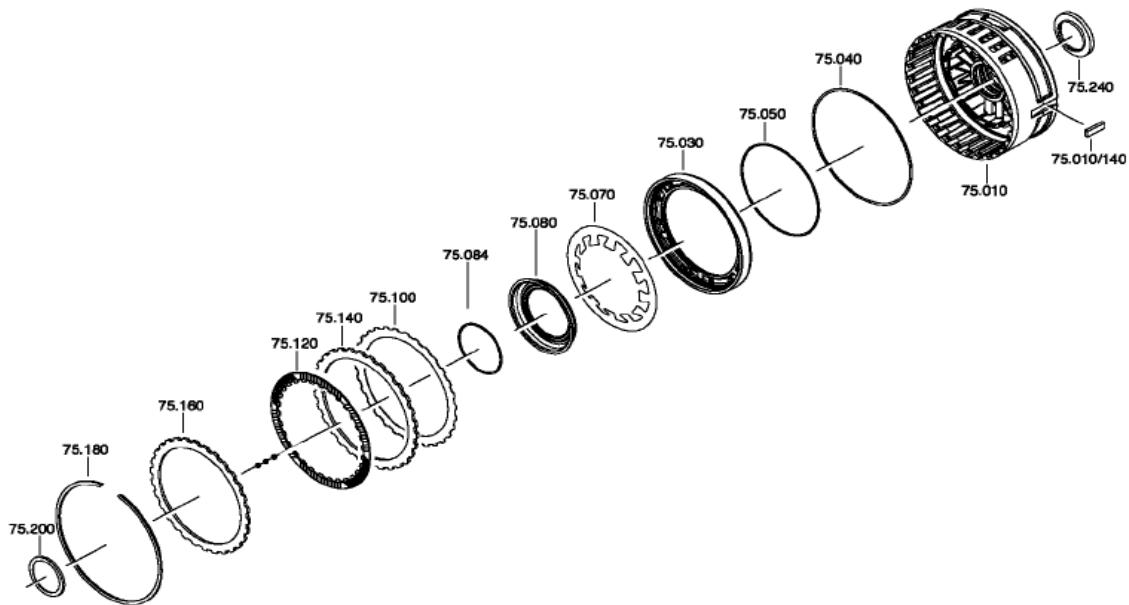
Position #	Description	Quantity	Notes
72.010	SUN GEAR SHAFT	1	
72.020	PISTON	1	
72.050	ROUND SEALING RING	1	Included in overhaul kit; see page 34.
72.060	ROUND SEALING RING	1	Included in overhaul kit; see page 34.
72.070	CUP SPRING	1	
72.080	OIL DAM	1	
72.100	ROUND SEALING RING	1	Included in overhaul kit; see page 34.
72.110	SNAP RING	1	2.50 mm
72.120	FIXING WASHER	1	
72.124	SNAP RING	1	1.50 mm
72.130	UNDULATING SPRING	1	
72.140	STEEL PLATE	5	2.10 mm; Included in steel kit; see pages 32 & 33.
72.144	END PLATE	1	Included in steel kit; see pages 32 & 33.
72.150	FRICTION PLATE	5	Included in friction kit; see pages 30 & 31.
72.170	SNAP RING	1	Selective snap ring; see page 27.
72.200	SEALING RING	2	Included in overhaul kit; see page 34.
72.210	AXIAL NEEDLE BEARING	1	
72.300	AXIAL NEEDLE BEARING	1	





**COUPLING C GROUP**

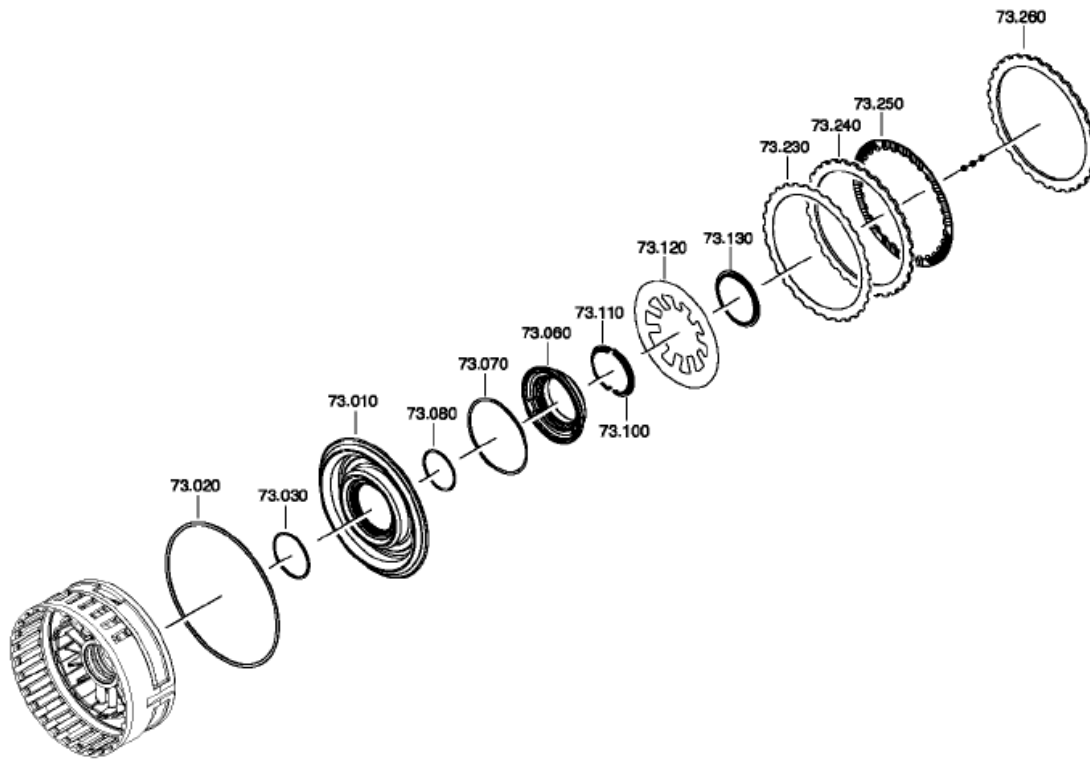
Position #	Description	Quantity	Notes
75.010	CYLINDER	1	
75.010/140	FITTING KEY	2	
75.030	PISTON	1	
75.040	ROUND SEALING RING	1	Included in overhaul kit; see page 34.
75.050	ROUND SEALING RING	1	Included in overhaul kit; see page 34.
75.070	CUP SPRING	1	
75.080	STOP-RING	1	
75.084	SNAP RING	1	2.00 mm
75.100	UNDULATING SPRING	1	
75.120	FRICTION PLATE	5	Included in friction kit; see pages 30 & 31.
75.140	STEEL PLATE	5	3.00 mm; Included in steel kit; see pages 32 & 33.
75.160	END PLATE	1	3.90 mm; Included in steel kit; see pages 32 & 33.
75.180	SNAP RING	1	Selective snap ring; see page 28.
75.200	ANGLE DISC	1	
75.240	AXIAL NEEDLE BEARING	1	





**COUPLING D GROUP**

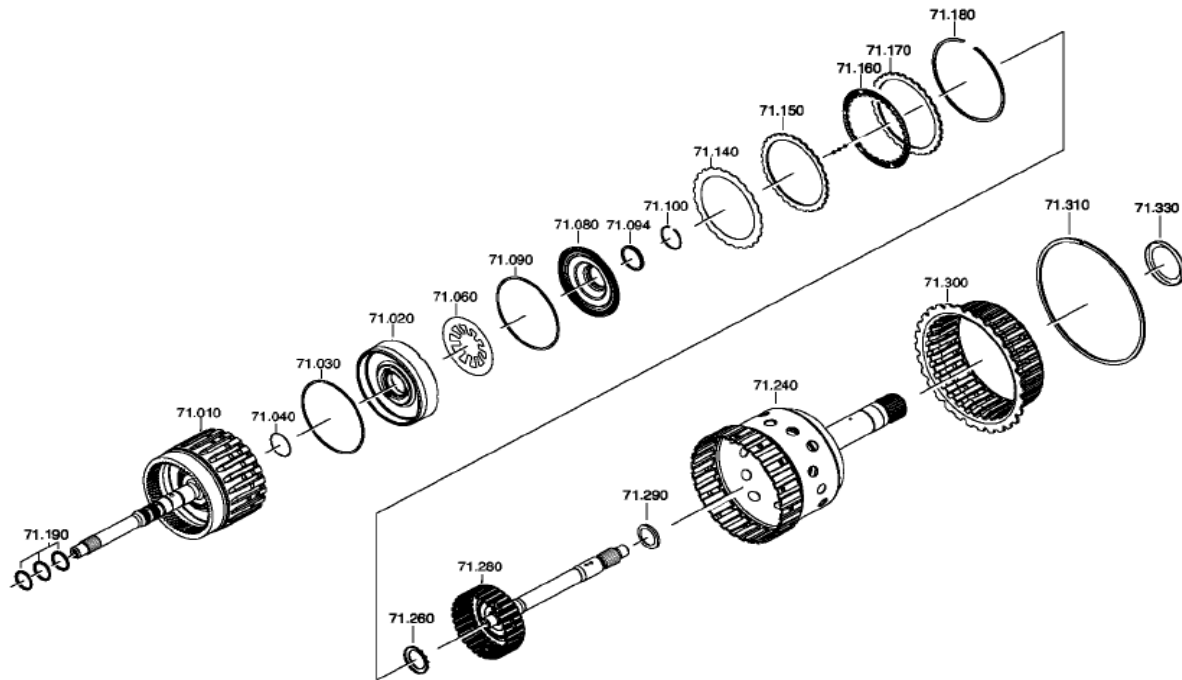
Position #	Description	Quantity	Notes
73.010	PISTON	1	
73.020	ROUND SEALING RING	1	Included in overhaul kit; see page 34.
73.030	ROUND SEALING RING	1	Included in overhaul kit; see page 34.
73.060	OIL DAM	1	
73.070	ROUND SEALING RING	1	Included in overhaul kit; see page 34.
73.080	ROUND SEALING RING	1	Included in overhaul kit; see page 34.
73.100	SPLIT RING	1	
73.110	SPLIT RING	1	
73.120	CUP SPRING	1	
73.130	SPLIT RING	1	
73.230	UNDULATING SPRING	1	
73.240	STEEL PLATE	6	2.10 mm; Included in steel kit; see pages 32 & 33.
73.250	FRICITION PLATE	6	Included in friction kit; see pages 30 & 31.
73.260	END PLATE	1	Selective end plate; see page 29. Included in steel kit; see pages 32 & 33.





**COUPLING E GROUP**

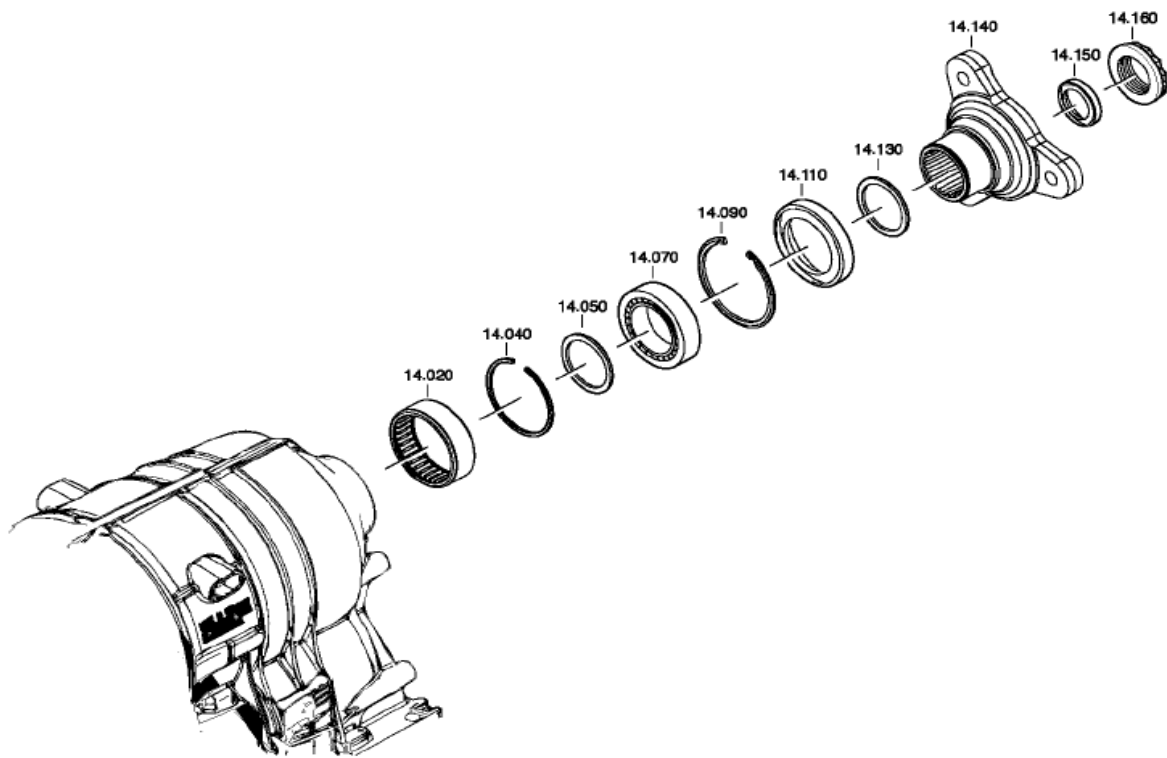
Position #	Description	Quantity	Notes
71.010	INPUT SHAFT	1	
71.020	PISTON	1	
71.030	ROUND SEALING RING	1	Included in overhaul kit; see page 34.
71.040	ROUND SEALING RING	1	Included in overhaul kit; see page 34.
71.060	CUP SPRING	1	
71.080	OIL DAM	1	
71.090	ROUND SEALING RING	1	Included in overhaul kit; see page 34.
71.094	FIXING PLATE	1	
71.100	SNAP RING	1	2.50 mm
71.140	UNDULATING SPRING	1	
71.150	STEEL PLATE	7	Included in steel kit; see pages 32 & 33.
71.160	FRICTION PLATE	7	Included in friction kit; see pages 30 & 31.
71.170	END PLATE	1	Included in steel kit; see pages 32 & 33.
71.180	SNAP RING	1	Selective snap ring; see page 28.
71.190	PISTON RING	3	Included in overhaul kit; see page 34.
71.240	SUN GEAR SHAFT	1	
71.260	AXIAL NEEDLE BEARING	1	
71.280	INTERMEDIATE SHAFT	1	
71.290	AXIAL NEEDLE BEARING	1	
71.300	DISC CARRIER	1	
71.310	SNAP RING	1	
71.330	ANGLE DISC	1	





**OUTPUT GROUP**

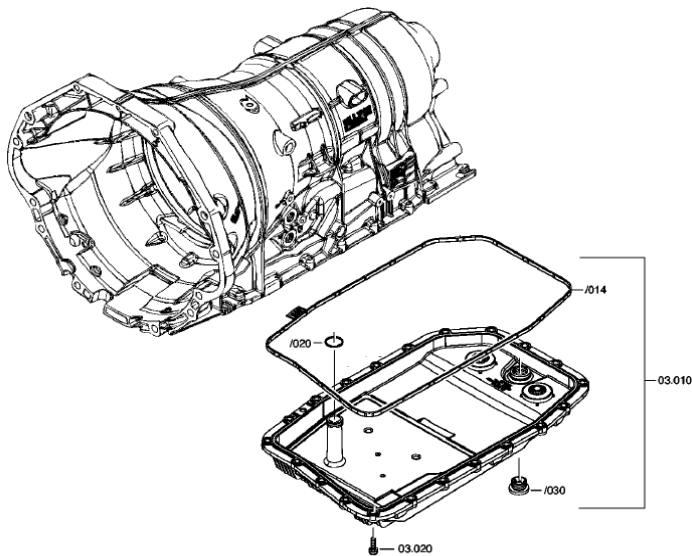
Position #	Description	Quantity	Notes
14.020	NEEDLE SLLEEVE	1	
14.040	SNAP RING	1	
14.050	SHIM	1	Selective shim; see page 26.
14.070	BALL BEARING	1	
14.090	SNAP RING	1	
14.110	SHAFT SEAL	1	Included in overhaul kit; see page 34.
14.130	SHIM	1	1.00 mm
14.140	OUTPUT FLANGE	1	
14.150	SHAFT SEAL	1	Included in overhaul kit; see page 34.
14.160	COLLAR NUT	1	



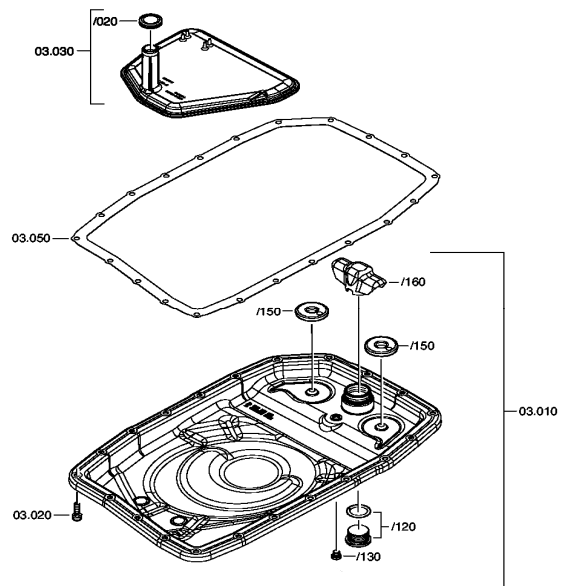


**FILTER GROUP**

Position #	Description	Quantity	Notes
03.010	FILTER KIT TYPE A	1	Included in filter kit; see page 30. (Integrated pan / filter assembly)
03.010	PAN ASSEMBLY TYPE B	1	Filter kit not available.
03.010/014	GASKET TYPE A	1	Included in overhaul kit; see page 35.
03.010/020	ROUND SEALING RING	1	Included in overhaul kit; see page 35.
03.010/030	SCREW PLUG	1	Included in overhaul kit; see page 35.
03.010/120	SCREW PLUG	1	M30X1.5; Included in overhaul kit; see page 35.
03.010/130	SCREW PLUG	1	M10X1; Included in overhaul kit; see page 35.
03.010/150	MAGNET	2	
03.010/160	CAP	1	
03.020	TORX SCREW	21	M6X28.5
03.030	OIL FILTER TYPE B	1	
03.030/20	ROUND SEALING RING	1	Included in overhaul kit; see page 35.
03.050	GASKET TYPE B	1	Included in overhaul kit; see page 35.



**Type A**

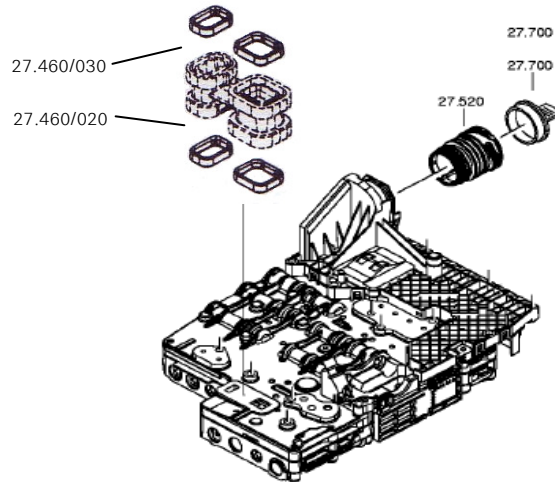
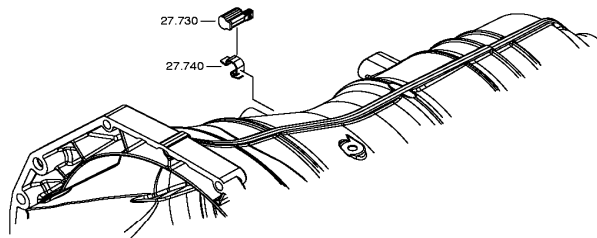


**Type B**



**MECHATRONIC GROUP**

Position #	Description	Quantity	Notes
27.460/030	GASKET	2	Only available in overhaul kit; see page 35.
27.460/020	GASKET	2	Only available in overhaul kit; see page 35.
27.520	GUIDE SLEEVE	1	Included in overhaul kit; see page 35.
27.700	CAP	1	
27.730	CAPACITOR	1	
27.740	CLAMP	1	
N/A	MECHATRONIC	1	Only complete Service-Mechatronics are available.



**CAUTION!**

Only complete Service-Mechatronics are available.

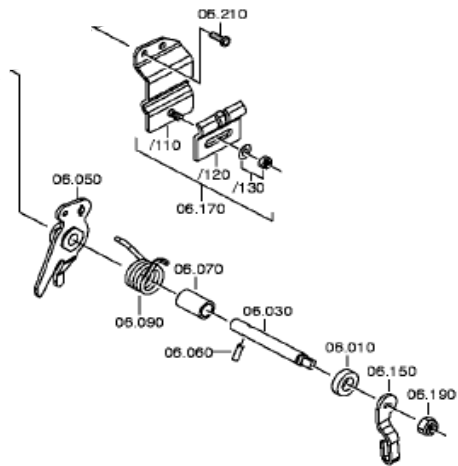
Contact your local ZF Parts distributor for more information.





**GEARSHIFT SYSTEM E-SHIFT GROUP**

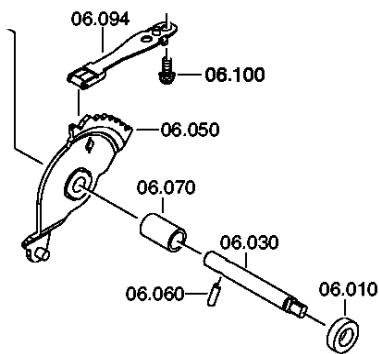
Position #	Description	Quantity	Notes
06.010	SHAFT SEAL	1	Included in overhaul kit; see page 35.
06.030	SELECTOR SHAFT	1	
06.050	PARKING LOCK DISC	1	
06.060	CLAMPING SLEEVE	1	
06.070	PIPE	1	
06.090	LEG SPRING	1	
06.150	LEVER	1	
06.170	ANGLE BRACKET	1	
06.170/110	ANGLE BRACKET	1	
06.170/120	ANGLE BRACKET	1	
06.170/130	HEXAGON NUT	1	
06.190	HEXAGON NUT	1	
06.210	CAP SCREW	2	M16X14





**GEARSHIFT SYSTEM M-SHIFT GROUP**

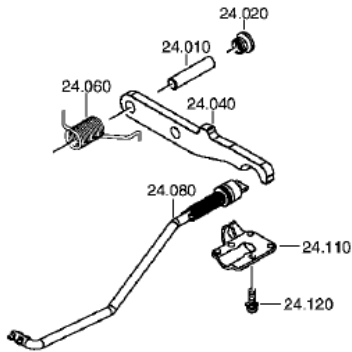
Position #	Description	Quantity	Notes
06.010	SHAFT SEAL	2	Included in overhaul kit; see page 35.
06.030	SELECTOR SHAFT	1	
06.050	ROOSTER COMB	1	
06.060	CLAMPING SLEEVE	1	
06.070	PIPE	1	
06.094	DETENT SPRING	1	
06.100	TORX SCREW	2	M6X13





**PARKING LOCK GROUP**

Position #	Description	Quantity	Notes
24.010	PIN	1	
24.020	SCREW PLUG	1	Included in overhaul kit; see page 35.
24.040	PAWL	1	
24.060	LEG SPRING	1	
24.080	CONNECTING BAR	1	
24.110	GUIDING PLATE	1	
24.120	TORX SCREW	4	M6X20





**6HP26 1068 010 XXX / 6HP28 1068 040 XXX      SELECTIVE SHIMS**

**6HP26 / 6HP28 SELECTIVE SHIM**

Position #	Select. Parts	Description	Quantity		Notes
10.090	<b>OIL SUPPLY SHIM</b>				
	0730.009.529	SHIM	1	4.80	
	0730.009.528	SHIM	1	4.60	
	0730.009.527	SHIM	1	4.40	
	0730.009.526	SHIM	1	4.20	
	0730.009.525	SHIM	1	4.00	
	0730.009.524	SHIM	1	3.80	
	0730.009.523	SHIM	1	3.60	
	0730.009.522	SHIM	1	3.40	
	0730.009.521	SHIM	1	3.20	
	0730.009.520	SHIM	1	3.00	
	0730.009.519	SHIM	1	2.80	
0730.009.518	SHIM	1	2.60		

**6HP26 / 6HP28 SELECTIVE SHIM**

Position #	Select. Parts	Description	Quantity		Notes
14.050	<b>OUTPUT SHIM</b>				
	0730.112.651	SHIM	1	2.80	
	0730.112.650	SHIM	1	2.60	
	0730.112.649	SHIM	1	2.40	
	0730.112.648	SHIM	1	2.20	
	0730.112.647	SHIM	1	2.00	
	0730.112.646	SHIM	1	1.80	
	0730.112.645	SHIM	1	1.60	
	0730.112.644	SHIM	1	1.40	
	0730.112.643	SHIM	1	1.20	



**6HP26 1068 010 XXX / 6HP28 1068 040 XXX      SELECTIVE SNAP RINGS**

**6HP26 / 6HP28 SELECTIVE SNAP RING**

Position #	Select. Parts	Description	Quantity	Notes
70.170	<b>COUPLING A SNAP RING</b>			
	0730.513.791	SNAP RING	1	4.60
	0730.513.790	SNAP RING	1	4.40
	0730.513.789	SNAP RING	1	4.20
	0730.513.788	SNAP RING	1	4.00
	0730.513.787	SNAP RING	1	3.80
	0730.513.786	SNAP RING	1	3.60
	0730.513.785	SNAP RING	1	3.40
	0730.513.784	SNAP RING	1	3.20
	0730.513.783	SNAP RING	1	3.00
	0730.513.782	SNAP RING	1	2.80
	0730.513.781	SNAP RING	1	2.60
	0730.513.780	SNAP RING	1	2.40
0730.513.779	SNAP RING	1	2.20	

**6HP26 / 6HP28 SELECTIVE SNAP RING**

Position #	Select. Parts	Description	Quantity	Notes
72.170	<b>COUPLING B SNAP RING</b>			
	0730.513.791	SNAP RING	1	4.60
	0730.513.790	SNAP RING	1	4.40
	0730.513.789	SNAP RING	1	4.20
	0730.513.788	SNAP RING	1	4.00
	0730.513.787	SNAP RING	1	3.80
	0730.513.786	SNAP RING	1	3.60
	0730.513.785	SNAP RING	1	3.40
	0730.513.784	SNAP RING	1	3.20
	0730.513.783	SNAP RING	1	3.00
	0730.513.782	SNAP RING	1	2.80
	0730.513.781	SNAP RING	1	2.60
	0730.513.780	SNAP RING	1	2.40
0730.513.779	SNAP RING	1	2.20	



**6HP26 1068 010 XXX / 6HP28 1068 040 XXX      SELECTIVE SNAP RINGS**

**6HP26 / 6HP28 SELECTIVE SNAP RING**

Position #	Select. Parts	Description	Quantity	Notes
75.180	<b>COUPLING C SNAP RING</b>			
	0730.513.791	SNAP RING	1	4.60
	0730.513.790	SNAP RING	1	4.40
	0730.513.789	SNAP RING	1	4.20
	0730.513.788	SNAP RING	1	4.00
	0730.513.787	SNAP RING	1	3.80
	0730.513.786	SNAP RING	1	3.60
	0730.513.785	SNAP RING	1	3.40
	0730.513.784	SNAP RING	1	3.20
	0730.513.783	SNAP RING	1	3.00
	0730.513.782	SNAP RING	1	2.80
	0730.513.781	SNAP RING	1	2.60
	0730.513.780	SNAP RING	1	2.40
0730.513.779	SNAP RING	1	2.20	

**6HP26 / 6HP28 SELECTIVE SNAP RING**

Position #	Select. Parts	Description	Quantity	Notes
71.180	<b>COUPLING E SNAP RING</b>			
	1058.370.017	SNAP RING	1	3.60
	1058.370.016	SNAP RING	1	3.40
	1058.370.015	SNAP RING	1	3.20
	1058.370.014	SNAP RING	1	3.00
	1058.370.013	SNAP RING	1	2.80
	1058.370.012	SNAP RING	1	2.60
	1058.370.011	SNAP RING	1	2.40
	1058.370.021	SNAP RING	1	2.20
	1058.370.024	SNAP RING	1	2.00
	1058.370.023	SNAP RING	1	1.80



**6HP26 1068 010 XXX / 6HP28 1068 040 XXX      SELECTIVE STEEL PLATE**

**6HP26 / 6HP28 SELECTIVE STEEL PLATE**

Position #	Select. Parts	Description	Quantity	Notes
73.260	<b>COUPLING D STEEL PLATE</b>			
	1068.377.026	STEEL PLATE	1	4.20
	1068.377.021	STEEL PLATE	1	3.90
	1068.377.025	STEEL PLATE	1	3.60
	1068.377.024	STEEL PLATE	1	3.30
	1068.377.020	STEEL PLATE	1	3.00
	1068.377.023	STEEL PLATE	1	2.70
	1068.377.022	STEEL PLATE	1	2.40
	1068.377.019	STEEL PLATE	1	2.10
	1068.377.029	STEEL PLATE	1	1.80



Kits Content

6HP26 / 6HP28 Kits Content

**6HP26 / 6HP28 Filter Kit (Plastic Oil Pan) – 1068 298 033**

Position #	ZF Part #	Description	Quantity	Where used (1068 ____)	Notes
03.010	1068 298 033	Plastic Oil Pan incl.	1	All	
		Filter	1	All	
		Gasket	1	All	
		Round Sealing Ring	1	All	

**6HP26 Friction Kit – 1068 298 034**

Position #	ZF Part #	Description	Quantity	Where used (1068 ____)	Notes
70.150	1068 277 004	Friction Plate A	5	See Chart Below	
71.160	1068 271 018	Friction Plate E	7	See Chart Below	
72.150	1068 277 002	Friction Plate B	5	See Chart Below	
73.250	1068 277 004	Friction Plate D	7	See Chart Below	
75.120	1068 277 002	Friction Plate C	5	See Chart Below	

**6HP26**

**1068 010 \_\_\_\_**

026
028 to 039
043 to 046
051 to 057
059
062 to 067
069 to 071
073 to 079
082 to 086
091 to 098
100 to 106
113 to 119
128 to 129
138
160
179





Kits Content

6HP26 / 6HP28 Kits Content

**6HP26 Friction Kit – 1068 298 035**

Position #	ZF Part #	Description	Quantity	Where used (1068 ____)	Notes
70.150	1068 277 004	Friction Plate A	5	See Chart Below	
71.160	1068 271 080	Friction Plate E	6	See Chart Below	
72.150	1068 277 002	Friction Plate B	5	See Chart Below	
73.250	1068 277 004	Friction Plate D	7	See Chart Below	
75.120	1068 277 002	Friction Plate C	5	See Chart Below	

<b>6HP26</b> <b>1068 010 ____</b>
122
130
135 to 137
161 to 165
175 to 178
181
184 to 185
190
197
203 to 206

**6HP26 / 6HP28 Friction Kit – 1068 298 036**

Position #	ZF Part #	Description	Quantity	Where used (1068 ____)	Notes
70.150	1068 277 011	Friction Plate A	5	See Chart Below	
71.160	1068 271 080	Friction Plate E	7	See Chart Below	
72.150	1068 277 002	Friction Plate B	5	See Chart Below	
73.250	1068 277 011	Friction Plate D	7	See Chart Below	
75.120	1068 277 002	Friction Plate C	5	See Chart Below	

<b>6HP26</b> <b>1068 010 ____</b>	<b>6HP28</b> <b>1068 040 ____</b>
134	001 to 002
151	008 to 011
153 to 155	014 to 016
166 to 174	
182 to 183	



Kits Content

6HP26 / 6HP28 Kits Content

**6HP26 / 6HP28 Steel Kit – 1068 298 037**

Position #	ZF Part #	Description	Quantity	Where used (1068 _____)	Notes
70.140	1068 377 020	Steel Plate A	6	See Chart Below	
71.150	1068 371 030	Steel Plate E	6	See Chart Below	
71.170	1068 371 069	End Plate E	1	See Chart Below	
72.140	1068 377 019	Steel Plate B	5	See Chart Below	
72.144	1068 372 043	End Plate B	1	See Chart Below	
73.240	1068 377 019	Steel Plate D	7	See Chart Below	
73.260	1068 377 026	End Plate D 4.2	1	See Chart Below	
73.260	1068 377 021	End Plate D 3.9	1	See Chart Below	
73.260	1068 377 025	End Plate D 3.6	1	See Chart Below	
73.260	1068 377 024	End Plate D 3.3	1	See Chart Below	
73.260	1068 377 020	End Plate D 3.0	1	See Chart Below	
73.260	1068 377 023	End Plate D 2.7	1	See Chart Below	
73.260	1068 377 022	End Plate D 2.4	1	See Chart Below	
73.260	1068 377 019	End Plate D 2.1	1	See Chart Below	
73.260	1068 377 029	End Plate D 1.8	1	See Chart Below	
75.140	1068 377 020	Steel Plate C	5	See Chart Below	
75.160	1068 377 021	End Plate C	1	See Chart Below	

6HP26 1068 010 _____	6HP28 1068 040 _____
014 to 015	002
026	008
029 to 039	011
043 to 046	015
051 to 053	
057	
059	
063 to 079	
084 to 086	
091	
093 to 105	
111 to 124	
126	
128 to 131	
135 to 138	
148	
150	
153 to 155	
160 to 167	
169 to 170	
172	
174 to 182	
184	
190	
197	
203 to 206	

For a distributor in your area call ZF at 1-800-451-2595 or visit our website at [www.zf.com/na](http://www.zf.com/na).



Kits Content

6HP26 / 6HP28 Kits Content

**6HP26 / 6HP28 Steel Kit – 1068 298 038**

Position #	ZF Part #	Description	Quantity	Where used (1068 _____)	Notes
70.140	1068 377 020	Steel Plate A	6	See Chart Below	
71.150	1068 371 047	Steel Plate E	7	See Chart Below	
71.170	1068 371 069	End Plate E	1	See Chart Below	
72.140	1068 377 019	Steel Plate B	5	See Chart Below	
72.144	1068 372 043	End Plate B	1	See Chart Below	
73.240	1068 377 019	Steel Plate D	7	See Chart Below	
73.260	1068 377 026	End Plate D 4.2	1	See Chart Below	
73.260	1068 377 021	End Plate D 3.9	1	See Chart Below	
73.260	1068 377 025	End Plate D 3.6	1	See Chart Below	
73.260	1068 377 024	End Plate D 3.3	1	See Chart Below	
73.260	1068 377 020	End Plate D 3.0	1	See Chart Below	
73.260	1068 377 023	End Plate D 2.7	1	See Chart Below	
73.260	1068 377 022	End Plate D 2.4	1	See Chart Below	
73.260	1068 377 019	End Plate D 2.1	1	See Chart Below	
73.260	1068 377 029	End Plate D 1.8	1	See Chart Below	
75.140	1068 377 020	Steel Plate C	5	See Chart Below	
75.160	1068 377 021	End Plate C	1	See Chart Below	

6HP26 1068 010 _____	6HP28 1068 040 _____
028	001
054	009 to 010
062	014
082 to 083	016
092	
106	
125	
127	
134	
151 to 152	
168	
171	
173	
183	
185	



Kits Content

6HP26 / 6HP28 Kits Content

**6HP26 / 6HP28 Overhaul Kit – 1068 298 030**

Position #	ZF Part #	Description	Quantity	Where used		Notes
				1068 010	1068 040	
01.050	0734 317 370	Sealing Sleeve	2	All		Gearbox housing
01.060	0734 317 371	Sealing Sleeve	1	All		Gearbox housing
01.064	0734 317 372	Sealing Sleeve	1	All		Gearbox housing
01.100	0501 321 921	Screw Plug	1	All		Gearbox housing
01.220	0501 321 922	Plug	1	All		Gearbox housing
10.010/170	0750 111 436	Shaft Seal	1	Ford		Oil supply
10.010/170	0734 319 695	Shaft Seal	1	All except Ford		Oil supply
10.040/160	0734 401 291	Piston Ring	1	All		Oil supply
10.040/170	0734 401 295	Piston Ring	1	All		Oil supply
10.020	0734 313 083	Round Sealing Ring	1	All		Oil supply
10.070	0734 313 064	Round Sealing Ring	1	All		Oil supply
10.084	0750 112 076	Usit Ring	14	All		Oil supply
70.040	0734 313 146	Round Sealing Ring	1	As needed		Coupling A
70.040	0501 320 476	Profiled Seal Ring	1	As needed		Coupling A
70.050	0734 313 028	Round Sealing Ring	1	As needed		Coupling A
70.090	0734 313 180	Round Sealing Ring	1	As needed		Coupling A
70.090	0501 320 477	Profiled Seal Ring	1	As needed		Coupling A
72.050	0734 313 147	Round Sealing Ring	1	All		Coupling B
72.060	1043 317 001	Round Sealing Ring	1	All		Coupling B
72.100	0734 313 147	Round Sealing Ring	1	All		Coupling B
72.200	0734 317 386	Sealing Ring	2	All		Coupling B
75.040	0734 313 180	Round Sealing Ring	1	All		Coupling C
75.040	0501 322 212	Lipped Sealing Ring	1	6HP28X		Coupling C
75.050	0734 313 783	Round Sealing Ring	1	All		Coupling C
75.050	0501 322 213	Lipped Sealing Ring	1	6HP28X		Coupling C
73.020	0734 313 146	Round Sealing Ring	1	6HP28X		Coupling D
73.020	0501 322 211	Lipped Sealing Ring	1	6HP28X		Coupling D
73.030	0734 313 029	Round Sealing Ring	1	All		Coupling D
73.070	0734 313 008	Round Sealing Ring	1	All		Coupling D
73.080	0734 313 033	Round Sealing Ring	1	All		Coupling D
73.080	0734 313 033	Round Sealing Ring	1	6HP28X		Coupling D
71.030	0734 313 007	Round Sealing Ring	1	All		Coupling E
71.040	0734 313 148	Round Sealing Ring	1	All		Coupling E
71.090	0734 313 040	Round Sealing Ring	1	All		Coupling E
71.190	0734 317 256	Piston Ring	3	As needed		Coupling E
71.190	0734 317 392	Sealing Ring	3	As needed		Coupling E
14.110	0734 319 633	Shaft Seal	1	All		Output
14.150	0734 310 418	Shaft Seal	1	All		Output

Continued on next page.



Kits Content

6HP26 / 6HP28 Kits Content

**6HP26 / 6HP28 Overhaul Kit – 1068 298 030**

Position #	ZF Part #	Description	Quantity	Where used		Notes
				1068 010 ___	1068 040 ___	
03.010/014	0501 323 155	Oil Pan Gasket	1	All		Filter
03.030/020	0501 320 086	Sealing Ring	1	All		Filter
03.050	1068 303 017	Gasket	1	All		Filter
03.010/120	0734 313 176	Round Sealing Ring	1	All		Filter
03.010/130	0501 321 921	Screw Plug	1	All		Filter
03.010/020	0501 319 012	Round Sealing Ring	1	All		Filter
03.010/030	0501 318 960	Screw Plug	1	All		Filter
03.010/130	0501 321 921	Screw Plug	1	All		Filter
27.460/020	0501 321 776	Gasket	2	All		Mechatronic
27.460/030	0501 321 777	Gasket	2	All		Mechatronic
27.520	0501 216 272	Guide Sleeve	1	All		Mechatronic
06.010	0734 319 801	Shaft Seal	2	All		Gearshift system
24.020	0501 214 941	Screw Plug	1	All		Parking lock

**Kits may contain items not used in all applications.**