



JAGUAR

Parts Catalogue Jaguar XK8 Canada, USA Taiwan up to 1998 MY Mexico from 1998 MY

Part No. JLM20301

Whilst every effort is made to ensure the accuracy of the particulars contained in this Manual the Manufacturing Companies will not, in any circumstances, be held liable for any inaccuracies or the consequences thereof.

© Jaguar Cars Ltd 1998

All rights reserved. No part of this publication may be reproduced, stored in a retrieval system or transmitted in any form, whether by electronic, mechanical, photocopying, recording or other means without the permission of Jaguar Cars Limited.

Replacement parts that are not of genuine Jaguar supply cannot be relied upon to be of correct specification, material, and workmanship and therefore Jaguar cannot be expected to extend warranty to vehicles which have been fitted with parts not supplied by them.

Jaguar reserves the right to make changes or improvements in the construction or specification of their products at any time.

IN ORDER TO ENSURE PROMPT AND CORRECT EXECUTION OF YOUR ORDERS IT IS ESSENTIAL TO QUOTE:-

1. The relative Unit Number, together with prefixes, suffixes and specification references where applicable.
eg. Axle, Body, Vehicle Identification, Engine, Gearbox Numbers etc.
2. The Part Number and description (prefix and suffix letters to Part Numbers must always be quoted).
3. Always state the colour of carpets, painted items, trim items etc, using the colour code from the Vehicle Identification Number (VIN) plate and the colour combination key to identify the colour name.
4. The quantity required bearing in mind that the quantities shown are those used in the application actually illustrated. Sometimes only minimum package quantities are available. These packs may well contain more parts than are required for a single job; for details of packaged quantities, see the Service Parts List.

THE LISTING OR ILLUSTRATING OF AN ITEM DOES NOT
GUARANTEE ITS AVAILABILITY.

INDEX TO INTRODUCTION SECTION

MICROFICHE PAGE REFERENCE	PAGE TITLE	REMARKS
B03	STANDARD ABBREVIATIONS	Standard abbreviations used in the microfiche text are referenced on this page.
B04	VEHICLE IDENTIFICATION NUMBERING SYSTEM	VIN Serial letters and numbers explained. VIN plate location.
B05	UNIQUE IDENTIFICATION NUMBERING SYSTEM	VIN Serial letters and numbers explained for unique VIN
B06	MAJOR UNIT IDENTIFICATION NUMBERING SYSTEM 4.0 LITRE	Engine number coding explained. Location of engine/gearbox serial number.
B07	CONTROL MODULE (Programmable) LOCATIONS	Location of Programmable Units.
B08	BODY COLOUR	Body colour.
B9	TRIM COLOUR CODES	Denotes trim colour codes applicable to this vehicle.
B10	TRIM COLOUR COMBINATION CHART-CLASSIC	Denotes trim colour ranges applicable to specific areas of the vehicle interior.
B11	TRIM COLOUR COMBINATION CHART-SPORT	Denotes trim colour ranges applicable to specific areas of the vehicle interior.
B12-13	HOOD COLOUR	Denotes details of hood colour to interior/exterior colour.

ABBREVIATIONS: Standard abbreviations are used in this parts list, as shown below:

AR	As required	NLA	No longer available from Jaguar Cars Ltd.
(B)	Body number	No.	Number
cm	Centimetres	NSS	Not supplied separately
COB	Clear over base paint technology	NSP	Non-serviceable part
∅	Diameter	o/d	Outside diameter
(E)	Engine number	O/S	Oversize
(G)	Gearbox number	pr	Pair
HC	High compression	psi	Pounds square/inch
i/d	Inside diameter	RH	Right-hand
kph	Kilometres per hour	RHD	Right-hand drive
LC	Low compression	ST	Self tapping
LH	Left-hand	STD	Standard
LHD	Left-hand drive	U/S	Undersize
LP	Low pressure	(V)	Vehicles Identification number (VIN)
LWB	Long wheel base (Majestic)		
m	metres	PART NUMBER SUFFIX LETTERS	
mm	millimetres	E	Exchange scheme/remanufactured units
mph	Miles per hour	N	New condition (i.e. not exchange)
		R	Remanufactured unit

VEHICLE IDENTIFICATION NUMBERING SYSTEM

The vehicle identification numbering comprises of a series of letters and numbers presenting, in code such information as Marque, Model Range, Class, Engine and Emission Type etc. The code for the Jaguar 4.0 litre range is as follows:

PREFIX 1 to 4

World Manufacturer Identifier

SAJ = Jaguar

PREFIX 5

Model Range

G = X100

PREFIX 6

Class

N = Canada

S = Mexico

X = USA

PREFIX 7

Body Variant

E = 2 Door Coupe

F = 2 Door Convertible

Prefix 8

Engine Variant

D = 4.0 Litre

PREFIX 9

Transmission and Steering

3 = Auto RHS

4 = Auto LHS

PREFIX 10

Model or Year Change

V = 1997MY

W = 1998MY

X = 1999 MY

PREFIX 11

Emission Control System

E = 95 Ron-Emission A

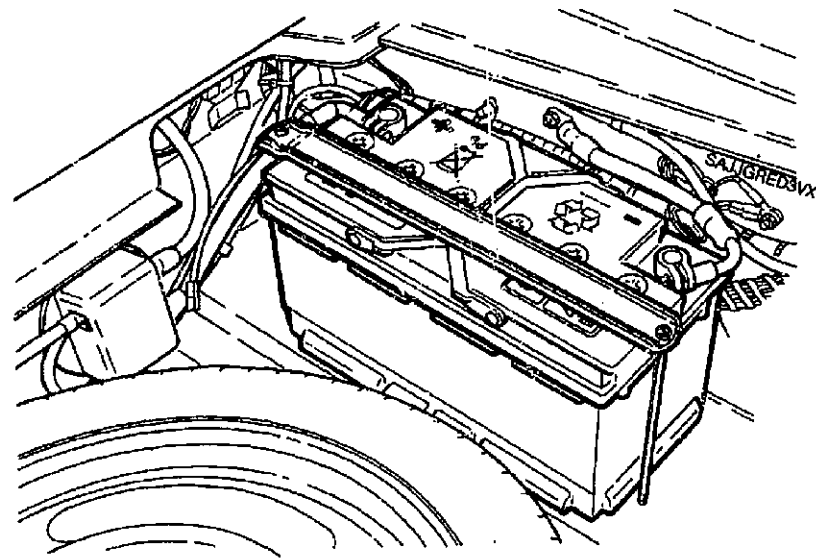
G = 95 Ron-Emission L

K = 95 Ron-Emission C

W = 95 Ron-Emission A

PREFIX 12 to 17

Serial Number



MODEL YEAR VIN NUMBERS

1997 MY From (v) 001075

1998 MY From (v) 018108

1998.75 MY From (V) 024687

1999 MY From (V) 031303

UNIQUE VEHICLE IDENTIFICATION NUMBERING SYSTEM**PREFIX 1 to 3 - World Manufacturer**

SAJ Jaguar

PREFIX 7 - Engine type

7 - 4.0 Litre

PREFIX 4 - Model Range

G - X100

PREFIX 8 - Transmission & Steering

4 Auto LH Steering

PREFIX 5 - Class

N = Canada

S = Mexico

X = USA/Taiwan

PREFIX 9 - Check Digit

?

PREFIX 10 - Model Year**PREFIX 6 - Body Type**

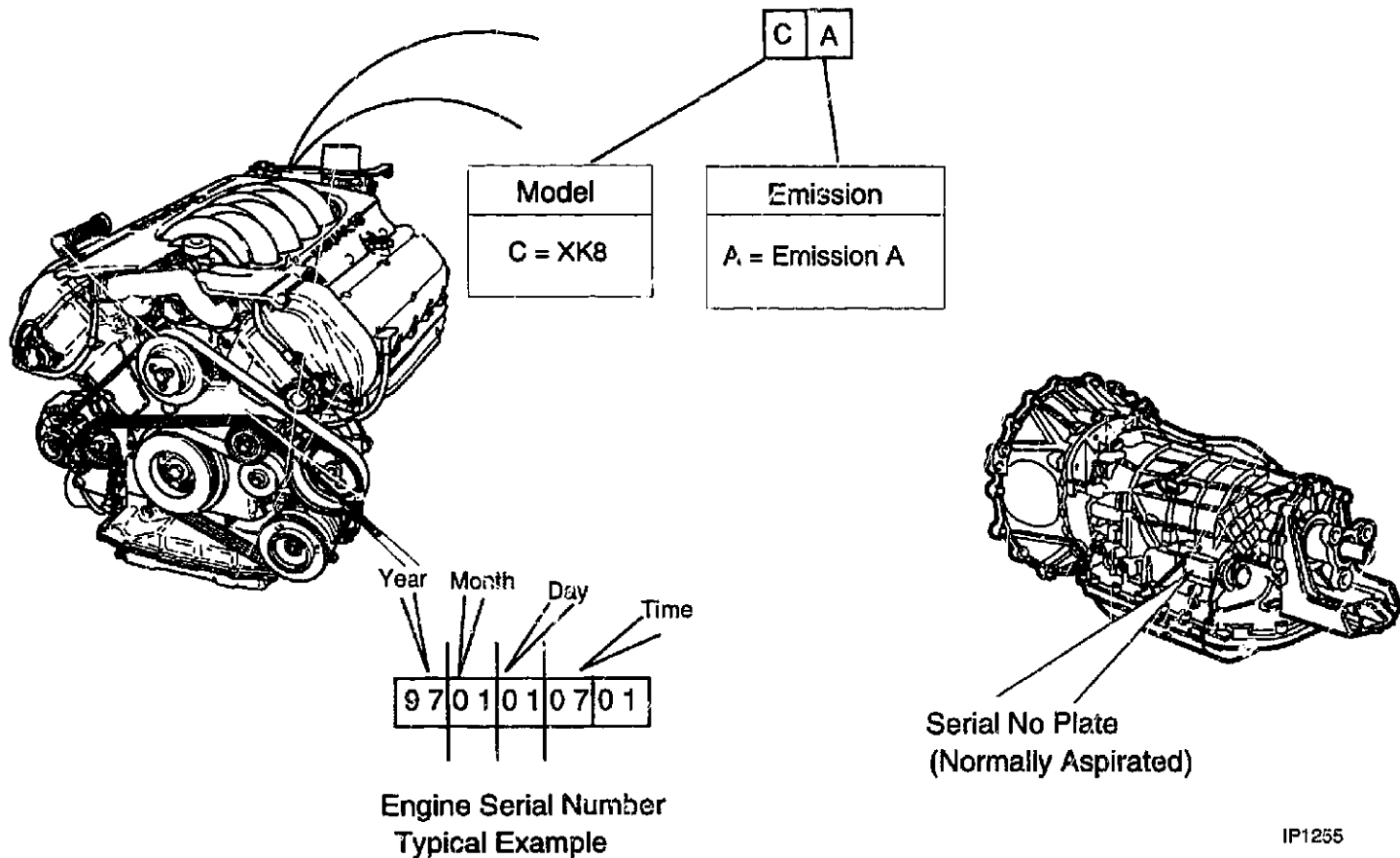
5 - 2 Door Coupe

2 - 2 Door Convertible

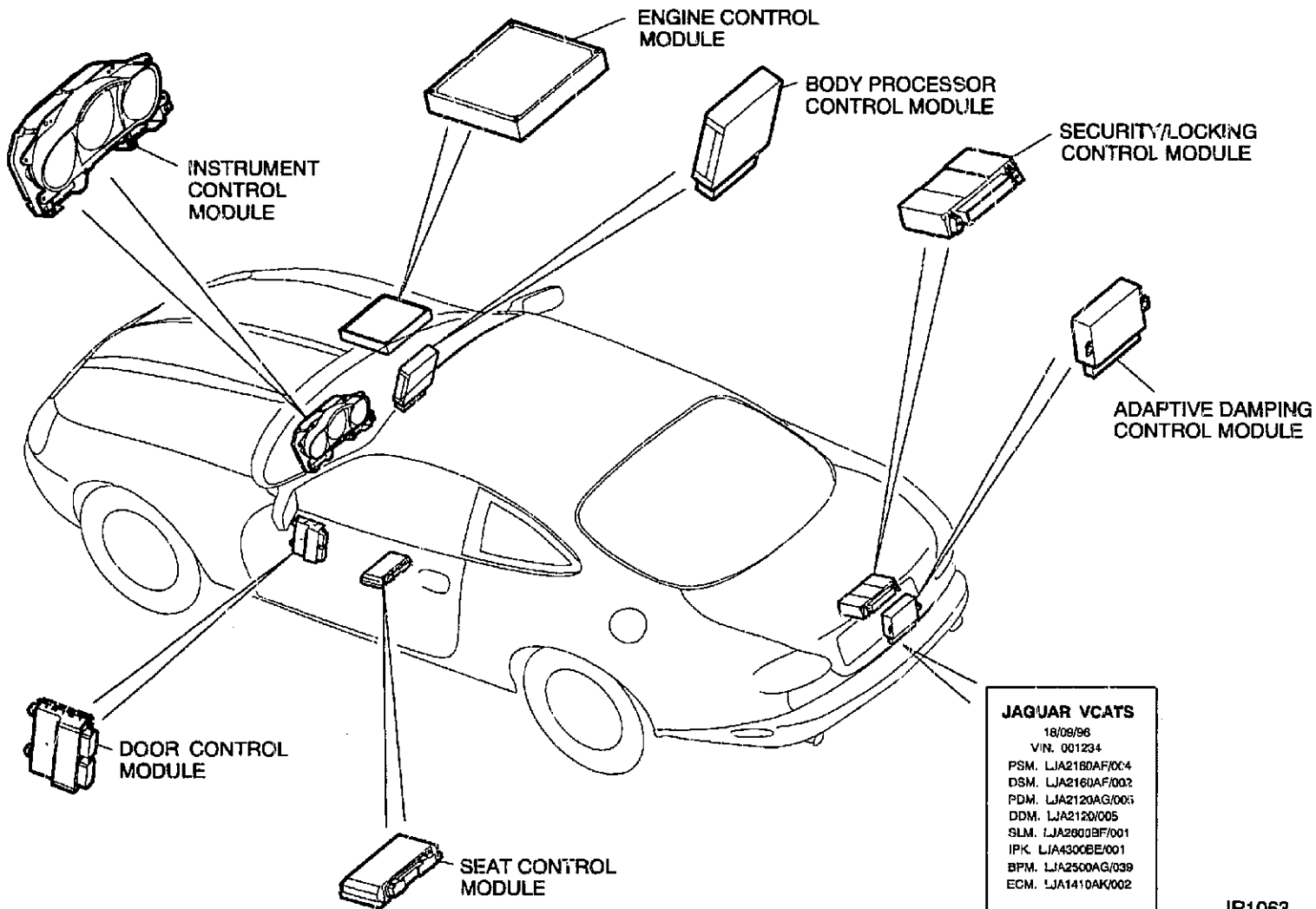
PREFIX 11 - Assembly Plant

C - Browns Lane

UNIT IDENTIFICATION NUMBERING SYSTEM



CONTROL MODULE LOCATIONS



JAGUAR VCATS
 18/09/96
 V/N. 001234
 PSM. LJA218DAF/004
 DSM. LJA2160AF/002
 PDM. LJA2120AG/005
 DDM. LJA2120/005
 SLM. LJA2600BF/001
 IPK. LJA4300BE/001
 BPM. LJA2500AG/039
 ECM. LJA1410AK/002

BODY COLOUR CODES

BODY COLOUR	JBC No	JBC No
	<i>Solvent</i>	<i>Waterborne</i>
ALPINE		1880 (HGF)
AMARANTH	862 (KDJ)	1862 (KDK)
ANTHRACITE	859 (PDX)	1859 (PED)
ANTIGUA	840 (JCZ)	1840 (JHF)
AQUAMARINE	839 (JGY)	1839 (JHF)
BLACK	807 (PDT)	1807 (PEC)
BRITISH RACING GREEN	753 (HFB)	1753 (HGD)
CARNIVAL	811 (CFS)	1811 (CGC)
EMERALD		1895 (HGG)
ICE BLUE	821 (MDP)	
METEORITE	911 (MDT)	1911 (MDX)
PHOENIX		1924(CGL)
SAPPHIRE	806 (JGE)	1806 (JHE)
SHERWOOD	835 (HFR)	1835 (HGE)
SPINDRIFT	732 (NDM)	1732 (NEE)
TOPAZ	820 (SDN)	1820 (SEC)

TRIM CODES

	3 LETTER CODE		3 LETTER CODE
LEATHER		SEAT BELTS	
Oatmeal	AGD	Oatmeal	AGD
Cream	NDR	Warm Charcoal	LEG
Warm Charcoal	LEG	Sable	AEK
Teal	HDX	Teal	HDX
Coffee	SDC	HEADLINING	
SCULPTURED FABRIC		Oatmeal	AGD
Oatmeal	AGF	Nimbus Grey	LFJ
Cream	NEB	HOODS	
Warm Charcoal	LGE	Stone	AEL
Teal	HDY	Black	PDM
Coffee	SDR	Beige	ANR
CARPETS		Green	HFV
Mink	AGH	Blue	JFF
Flint	LFN		
Sable	AEK		
Teal	HDX		
Coffee	SDC		
FACIA			
Antelope	AGE		
Warm Charcoal	LEG		
Sable	AEK		
Dark Teal	HDV		
Coffee	SDC		

TRIM COLOUR COMBINATION CHART - CLASSIC

OVERALL INTERIOR COLOUR DESCRIPTION	INTERIOR TRIM LOWER/SEATING	FACIA GEARSHIFT ASSEMBLY/STEERING WHEEL	SEATBELTS	INTERIOR TRIM UPPER	PARCEL SHELF	CARPETS	FLANGE FINISHER	HOOD CONTAINER (CONV)	BOOT TRIM
OATMEAL	OATMEAL	ANTELOPE	OATMEAL	OATMEAL	ANTELOPE	SABLE	WARM CHARCOAL	SABLE	FLINT
WARM CHARCOAL	WARM CHARCOAL	WARM CHARCOAL	WARM CHARCOAL	NIMBUS	WARM CHARCOAL	FLINT	WARM CHARCOAL	FLINT	FLINT
CREAM	CREAM	SABLE	SABLE	OATMEAL	SABLE	SABLE	WARM CHARCOAL	SABLE	FLINT
TEAL	TEAL	DK TEAL	TEAL	NIMBUS	DK TEAL	TEAL	WARM CHARCOAL	FLINT	FLINT
COFFEE	COFFEE	COFFEE	SABLE	OATMEAL	COFFEE	COFFEE	WARM CHARCOAL	SABLE	FLINT
IVORY	IVORY	IVORY	SABLE	OATMEAL	SABLE	SABLE	WARM CHARCOAL	SABLE	FLINT
CASHMERE	CASHMERE	SABLE	SABLE	OATMEAL	SABLE	SABLE	WARM CHARCOAL	SABLE	FLINT

INT. TRIM LOWER/SEATS	FACIA	SEATBELTS	INTERIOR TRIM UPPER	PARCEL SHELF	CARPETS	FLANGE FINISHER	HOOD CONTAINER	BOOT TRIM
FRONT SEATS SQUAB TRIG. KNOB TRIG. ESCUTCHEO INT. MECHM COVER REAR SEATS SEAT STITCHING DOOR CASING DOOR CENTRE PANEL DOOR ARMREST CARPET BINDING RR QUARTER CAPPING (CONV) REAR QUARTER - CASING - ARMREST - CENTRE PANEL A POST LOWER CENTRE CONSOLE - TOP/SIDE/LID - CUPHOLDER L/D GLOVEBOX HANDLE ASPIRATOR VENTS HOOD STOWAGE COVER SEAT SWITCH PACK HANDBRAKE GAITER UNDERSCUTTLES COATHOOK	FACIA UPPER FACIA ENDS DEMIST VENTS SQUAWKER DOOR TOP ROLL STEERING WHEEL J GATE SURROUND HANDBRAKE GRIP CHEATERS STOWAGE TRAY SWITCHES STG COL COWL TRUNK SEAL RETAINER FACIA VENTS (CENTRE/OUTER) DOOR KICK PANEL LOWER A POST	SEATBELTS & BUC RETAINERS SEATBELT RUNNING LOOPS SEATBELTS FR/RR ADJUSTER KNOB	A POST UPPER HEADER SUNVISORS & FIXINGS HEADLINING AIR EXT. VENTS	PARCEL SHELF (COUPE) SUB WOOFER COVER (4) HMSL COVER (COUPE)	HEEL MATS SEAT SLIDES		HOOD CONTAINER	SPARE WHEEL COVER BOOT BOARD BOOT FIXINGS HOOD STOWAGE BAG

TRIM COLOUR COMBINATION CHART - SPORTS

OVERALL INTERIOR COLOUR DESCRIPTION	LOWER TRIM	SEATING	FACIA GEARSHIFT ASSEMBLY/STEERING WHEEL	SEATBELTS	INTERIOR TRIM UPPER	PARCEL SHELF	CARPETS	FLANGE FINISHER	BOOT TRIM
OATMEAL	WARM CHARCOAL	OATMEAL	WARM CHARCOAL	WARM CHARCOAL	NIMBUS GREY	WARM CHARCOAL	FLINT	WARM CHARCOAL	FLINT
WARM CHARCOAL	WARM CHARCOAL	WARM CHARCOAL	WARM CHARCOAL	WARM CHARCOAL	NIMBUS GREY	WARM CHARCOAL	FLINT	WARM CHARCOAL	FLINT
CREAM	WARM CHARCOAL	CREAM	WARM CHARCOAL	WARM CHARCOAL	NIMBUS GREY	WARM CHARCOAL	FLINT	WARM CHARCOAL	FLINT
IVORY	WARM CHARCOAL	IVORY	WARM CHARCOAL	WARM CHARCOAL	NIMBUS GREY	WARM CHARCOAL	FLINT	WARM CHARCOAL	FLINT

INT. TRIM LOWER/SEATS	SEATS	FACIA	SEATBELTS	INTERIOR TRIM UPPER	PARCEL SHELF	CARPETS	FLANGE FINISHER	BOOT TRIM
DOOR CASING DOOR KICK PANEL RR QUARTER CAPPING (CONV) REAR QUARTER - CASING A POST LOWER GLOVEBOX HANDLE ASPIRATOR VENTS HOOD STOWAGE COVER HANDBRAKE GASTER UNDERSCUTTLES CARPET BINDING REAR QUARTER - ARMREST (CPE) - CENTRE PANEL COATHOOK	FRONT SEATS (1) SQUAB TRIG. KNOB TRIG. ESCUTCHEON SEAT SWITCH PACK INT. MECHM COVER REAR SEATS DOOR CENTRE PANEL DOOR ARMREST CENTRE CONSOLE (1) - TOP/SIDE/LID - CUPHOLDER J GATE SURROUND SEATBELT BUCKLES	FACIA UPPER FACIA ENDS DEMIST VENTS SQUAWKER DOOR TOP ROLL STEERING WHEEL HANDBRAKE GRIP CHEATERS STOWAGE TRAY SWITCHES STG COL COWL TRUNK SEAL RETAINER FACIA VENTS (CENTRE/OUTER)	SEATBELT RUNNING LOOP SEATBELTS FR/RR ADJUSTER KNO	A POST UPPER HEADER SUNVISORS & FIXINGS HEADLINING AIR EXT. VENTS	PARCEL SHELF (CPE) SUB WOOFER COVER HMSL COVER (COUPE)	HEEL MATS HOOD CONTAINER (CONV)		HOOD STOWAGE BAG BOOT BOARD BOOT FIXINGS
NOTES:								
(1) SEATS & CENTRE CONSOLE/LID TAKES W/CHARCOAL STITCHING								

HOOD COLOUR WITH EXTERIOR & INTERIOR COMBINATIONS UP TO 99 MY

TRIM	BODY COLOUR													
	TOPAZ (820)	ICE BLUE (821)	TITANIUM (810)	SPINDRIFT WHITE 06 (732)	BRITISH RACING GREEN (783)	ANTHRACITE (886)	AQUA MARINE (838)	SHERWOOD (835)	ANTIGUA (840)	CARNIVAL (811)	SAPPHIRE (806)	AMARANTH	METEORITE	PHOENIX RED
OATMEAL (AGD)	STONE	BLUE	BLUE	STONE	-	BLACK	-	BLACK	BLUE	STONE	BLUE	BLACK	BLACK	STONE
CHARCOAL (LEG)	BLACK	BLACK	BLACK	BLACK	GREEN	BLACK	GREEN/ BLACK	BLACK	BLACK	BLACK	BLACK	BLACK	BLACK	BLACK
CREAM (HDR)	STONE	BLUE	BLUE	STONE	GREEN	BLACK/STONE	GREEN/ BLACK	STONE	STONE	STONE	BLUE	-	-	-
TEAL (HDX)	-	-	-	GREEN	GREEN	BLACK	GREEN/ BLACK	-	-	-	-	BLACK	BLACK	-
COFFEE (SDC)	STONE	-	STONE	BEIGE	BEIGE	BLACK	BEIGE	BEIGE	BLUE	BEIGE	BLUE	-	-	-
IVORY (NEB)	DARK BEIGE	-	-	DARK BEIGE	GREEN	DARK BEIGE	-	DARK BEIGE	DARK BEIGE	DARK BEIGE	-	BLACK	BLACK	BEIGE/ STONE
CASHMERE (SDV)	DARK BEIGE	-	-	DARK BEIGE	DARK BEIGE	BLACK	DARK BEIGE	DARK BEIGE	BLUE	DARK BEIGE	BLUE	BLACK	BLACK	DARK BEIGE

BODY COLOUR

FRONT/REAR BUMPER
NUMBER PLATE
FINISHER
RUBBERY STRIPS
MIRROR CAPS

ADDITIONAL COLOURED PARTS
GREY

MIRROR FOOT
GLASSHOUSE
MOULDINGS
WAIST RAIL
PLENUM

CHROME

SPLITTER VANE
EXT DOOR HANDLES (N. AMERICA ONLY)

HOOD COLOUR WITH EXTERIOR & INTERIOR COMBINATIONS FROM 99 Model Year

	BODY COLOUR										
	TOPAZ (820)	SPINDRIFT WHITE 96 (732)	BRITISH RAC/M3 GREEN (763)	ANTHRACITE (859)	ANTIGUA (840)	CARNIVAL (811)	SAPPHIRE (806)	AMARANTH	METEORITE	PHOENIX RED	Alpine
TRIM											
OATMEAL (AGD)	STONE	STONE	-	BLACK	BLUE	STONE	BLUE	BLACK	BLACK	STONE	BLACK
CHARCOAL (LEG)	BLACK	BLACK	GREEN	BLACK	BLACK	BLACK	BLACK	BLACK	BLACK	BLACK	BLACK
TEAL (HDX)	-	GREEN	GREEN	BLACK	-	-	-	BLACK	BLACK	-	
IVORY (NED)	DARK BEIGE	DARK BEIGE	GREEN	DARK BEIGE	DARK BEIGE	DARK BEIGE	-	BLACK	BLACK	BEIGE/ STONE	
CASHMERE (SDV)	DARK BEIGE	DARK BEIGE	DARK BEIGE	BLACK	BLUE	DARK BEIGE	BLUE	BLACK	BLACK	DARK BEIGE	DARK BEIGE

BODY COLOUR

FRONT/REAR BUMPER
NUMBER PLATE
FINISHER
MOLDING STRIPS
MIRROR CAPS

ADDITIONAL COLOURED PARTS

GREY
MIRROR FOOT
WAIST RAIL
PLENUM

CHROME

SPLITTER VANE
EXT DOOR HANDLES (N. AMERICA ONLY)

PAGE 1 of 5

HOW TO USE THE JAGUAR PARTS MICROFICHE

A knowledge of the construction and content of the microfiche will help you to identify and locate the right part number for the application that you require.

HOW THE MICROFICHE IS ORGANISED:

- 1) A parts microfiche set is produced for each Jaguar model. A full list of publications is issued with each new microfiche set. A Jaguar microfiche consists of a number of plastic "fiche", contained in a paper wallet with an Index card.
- 2) Each plastic "fiche" is headed with the **model name**, the **part number of the microfiche**, the **month/year of issue**. Each "fiche" is numbered together with the total number of "fiche" in the microfiche set.
- 3) The Index card shows the microfiche **MASTER INDEX**. This will enable fast identification of the correct "fiche" page and row on which each Group commences. The Master Index is listed in Microfiche order on one side of the card and in alphabetical order on the reverse.
- 4) Each "fiche" contains up to 252 pages of information. (18 columns x 14 rows). Columns are numbered 1 to 18 and rows are identified alphabetically. Row A on each "fiche" is always the **Introduction Section**.

1996
- Fiche 1
- Fiche 2
- Fiche 3

JAGUAR XK8
FICHE 3 OF 3
JAGUAR XK8
FICHE 2 OF 3
JAGUAR XK8
FICHE 1 OF 3

JAGUAR XK8

MICROFICHE GROUP INDEX - ALPHABETICAL ORDER

GROUP INDEX TITLE	SHEET	GROUP INDEX TITLE	SHEET
ACCESSORIES - CONSUMABLES - BODIES	3F	EXTERIOR FITTINGS AND BUSHING	25
AIR AND FUEL DELIVERY SYSTEMS	1E	IN CAR ENTERTAINMENT	2F
AIR CONDITIONING - HEATING - VENTILATION	1M	INFORMATION SYSTEMS AND CONTROLS	2D
BATTERY - STARTER MOTOR - ALTERNATOR	2E	INTERIOR TRIM AND LAMINAE	2L
BODY CLOSURES AND SEALING	2C	INTRODUCTION	1B
BODY METAL PANELS AND BEATING	3E	LIGHTING - INTERIOR EXTERIOR	2J
BREAKING SYSTEM	1U	LOCKING - SECURITY SYSTEMS - HORN	21
ELECTRICAL DISTRIBUTION SYSTEM	2C	OCCUPANT RESTRAINTS	2K
ENGINE	1D	SEATING	2I
ENGINE COOLING SYSTEM	1H	STEERING AND SUSPENSION	1K
ENGINE MANAGE REGULATION SYSTEMS	1F	TRANSMISSION AND DRIVE SHAFT	1J
EXHAUST SYSTEM AND COMPONENTS	11	WIPER AND WASHERS SYSTEMS	1G

DECEMBER 1995 JAGUAR XK8

JLN 20300 FD

Introduction Page

Master Index Group - Fiche	1	2	3	4	5	6	7	8	9	10	11	12	13	14	15	16	17	18
	A																	
	B																	
	C																	
	D																	
	E																	
	F																	
	G																	
	H																	
	I																	
	J																	
	K																	
	L																	
	M																	

IP1172

HOW TO USE THE JAGUAR PARTS MICROFICHE

MICROFICHE CONTENT:

The microfiche has a **Master Index** which lists the **Introduction Section** and **23 main sections**. The Master Index is common to all microfiche. The first "fiche" page has:

- a) A **Title page**, describing the name of the model
- b) An **Introduction Section**, with an index of contents.
- c) A full **alphabetical listing** of all part number descriptions contained in the microfiche set with the page location.

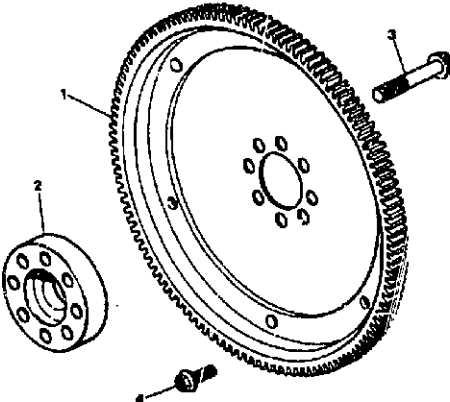
Note: a) and b) are included at the start of each "fiche" page, whilst c) is on page 1 only.

Part number information is arranged into the **23 Groups**. Each **Master Index** reference is divided into **Groups**, which are common to all microfiche.

Each **Group** contains a number of **Page Titles** relevant to the model specification.

A **Page Title** describes a vehicle feature or major component, under which the relative part numbers appear.

The New XJ Series				F04 Fiche 1	ENGINE ← DRIVE PLATE AND FLYWHEEL COVERS ← DRIVE PLATE-3.2/4.0 LITRE →
Illus	Part Number	Description	Quantity	Change Point	Remarks
1	EBC 2738	Drive plate-assembly.....	1	(1).....	3.2 Litre 4.0 Litre



An **Illustration** may be linked to each page number. A page title continuing over more than one page, will have the same illustration. Illustrations are annotated to represent the part numbers shown on text page. The drawing reference number is shown in the first column against the appropriate part number. Where there is more than one part number for alternative applications, the drawing number will appear against each reference to that part.

PAGE 3 of 5

HOW TO USE THE JAGUAR PARTS MICROFICHE

A part has 7 main elements: A part number, A description, a quantity per application, a qualifying description, an illustration, an application and a change point (optional).

PART NUMBER:

A part number may have:

- a **prefix** (optional, alpha and/or numeric).
- a **main body** (up to 6 numeric or 5 numeric + 1 alpha or 4 numeric + 2 alpha).
- a **suffix**.

There is **NO** meaning attached to the prefix or main body of the part number. The suffix can denote size, grade, colour etc.

QUALIFYING DESCRIPTION:

The **qualifying description** describes the colour, location, material, size etc. of a part. A part can only have one qualifying description relating to a "fitment" definition. For example, a Bolt cannot be described as "manifold to block" in one application and "mounting to body" in another. The part description and qualifying description are tied to the part in all model applications.

Illus	Part Number	Description	Quantity	Change Point	Remarks
1	EBC 2788	Drive plate-assembly.....	1	(1).....	3.2 Litre4.0 Litre

PART DESCRIPTION:

The **part description** is derived from the standard noun which describes the component.

CHANGE POINT:

Where appropriate, a **change point** will identify the limits of use of a component using a VIN number. Engine number, Gearbox or Body number. All **change points** are represented as "footnotes" on the microfiche page, with the footnote number shown in the "Change Point" column.

PART APPLICATION:

The **part applications**, or "attributes", appear in the "Remarks" column on the microfiche page. **Attributes** identify any market applicability and/or special conditions and/or exemptions. Attributes also contain information relative to the VIN prefix which is appropriate to the Page Title. A full list of VIN prefix attributes are shown in the Introduction Section under "Vehicle Identification Numbering System". Applications from the same "family" will appear on different text lines with the part number/description/quantity hidden. The change point will be shown on the first line only and will be the same for both applications.

IP1174

PAGE 4 of 5

HOW TO USE THE JAGUAR PARTS MICROFICHE**PAGE TITLES:**

An **index page** is located on the first column of every microfiche row and contains information relative to that section of the microfiche. The index page shows the **Master Index**, the appropriate **Group index** (in alphabetical order), and the **Page Titles** appropriate to that Group, in alphabetical order.

Page Titles are specific to each Model, although common terminology will be used across all microfiche. A Page Title will describe the major component and a key attribute or commencing VIN number. Similar Page Titles will be consecutive.
(e.g.: Engine assemblies for 4.0 Litre and 6.0 Litre will be on adjacent pages).

XJ6 & XJ12 (From V7067828 onwards)		L01 Fiche 2	LOCKING/SECURITY SYSTEMS/HORN
MASTER INDEX	GROUP INDEX	PAGE TITLES	
ENGINE 1 B			
ENGINE MANAGEMENT/EMISSION SYSTEMS 1 A			
AIR AND FUEL DELIVERY SYSTEMS 1 L			
ENGINE COOLING SYSTEM 1 D			
EXHAUST SYSTEM AND COMPONENTS 2 B			
TRANSMISSION AND DRIVELINE 2 F			
STEERING AND SUSPENSION 2 J			
DRIVASIS SYSTEM 2 H			
AIR CONDITIONING/HEATING/VENTILATION 2 C			
WIPER AND WASHER SYSTEMS 2 E			
ELECTRICAL DISTRIBUTION SYSTEMS 3 F			
IGNITION SYSTEMS AND CONTROLS 3 D			
BATTERY/STARTER MOTOR/ALTERNATOR 3 H			
IN CAR ENTERTAINMENT 3 I			
LIGHTS - EXTERIOR/INTERIOR 1 J			
LOCKING/SECURITY SYSTEMS/HORN 3 L			
SCAFFOLD 3 M			
OCCUPANT RESTRAINTS 3 O			
INTERIOR TRIM AND LININGS 4 C			
EXTERIOR FITTINGS AND BI-ROOF 4 H			
BODY CLOSURES AND SEALING 4 J			
BODY METAL PANELS AND SEALING 4 L			
ACCESSORIES/CONVERSIONS/INDEX 4 M			
	CENTRAL LOCKING SYSTEM 0 00	HORN TONE HORN-ASSEMBLY 1 L 08	
	ANTI-LOCK CONTROL MODULES 1 L 07	HORN AND MOUNTING-BRAKES 2 L 08	
	KEYLESS 1 L 08	INTRA RED LOCKING SYSTEM KIT 1 L 07	
	SECURITY 0 00	INTRA RED LOCKING SYSTEM 2 L 07	
	SECURITY ALARM 0 00	INTRUSION SENSOR DOOR 2 L 04	
	VEHICLE SECURITY SYSTEMS 1 L 08	LOW TONE HORN-ASSEMBLY 1 L 08	
		MODULE RELAY 2 L 07	
		RELAY MODULE 2 L 07	
		SECURITY CONTROL MODULE-HORN 1 L 04	
		SECURITY SYSTEM 2 L 08	
		SOLAR SENSOR AND ALARM BOUNDER 2 L 04	
		SOLAR SENSOR/ALARM DOOR-HORN 1 L 08	

IP1175

PAGE 5 of 5

HOW TO USE THE JAGUAR PARTS MICROFICHE

QUANTITY:

The number of parts required for each application is shown in the Quantity column. In some cases this may appear as N/R (as required), or NLA (no longer available from Jaguar Cars Ltd.) Where a part is "NLA", an alternative may be shown in the "Remarks" column. In some cases, alternative parts may be listed to replace a single component. These were previously classed as "Refer Vetting" (where a single substitution of one part for another is not technically or cosmetically possible).

The New XJ Series			F04 Fiche 1	ENGINE DRIVE PLATE AND FLYWHEEL COVERS		
			DRIVE PLATE-3.8L & 4.0 LITRE			
Illus	Part Number	Description	Quantity	Change Point	Remarks	
1	EBC 2788	Drive plate-assembly.....	1	(1)	3.2 Litre4.0 Litre	

FINDING A PART:

Basic information required: Model, VIN/Body number/Engine number/Gearbox number as appropriate, and any other relative specifications.

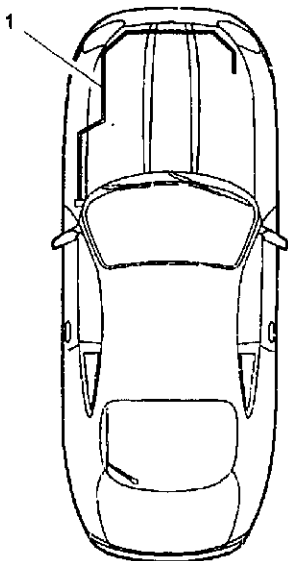
Parts are normally located by comparing your requirement with an illustration. Finding the correct illustration/page can be approached in three ways:

- 1) If the Part number is already known - locate page a reference from the Alphabetical Index on the **last** "fiche".
- 2) Using the Part Description - locate a page reference from the Alphabetical Index on the **first** "fiche".
- 3) Determine the Page Title from the **Master/Group/Page Title Index** pages.

XJ6 & XJ12 (From VJ687829 onwards)

REC	ILLUS	QTY	DESCR	REC	ILLUS	QTY	DESCR
REC 16347	4 E 11 REC	1	1383	REC 11788	4 N 03 REC	2500	2500
REC 16408	2 J 13 REC	1	1384	REC 11789	4 N 03 REC	2500	2500
REC 16409	2 J 13 REC	1	1385	REC 11790	4 N 03 REC	2500	2500
REC 16414	4 J 04 REC	1	1386	REC 11791	4 N 03 REC	2500	2500
REC 16415	4 J 04 REC	1	1387	REC 11792	4 N 03 REC	2500	2500
REC 16468	4 E 04 REC	1	1388	REC 11793	4 N 03 REC	2500	2500
REC 16469	4 E 04 REC	1	1389	REC 11794	4 N 03 REC	2500	2500
REC 16470	4 E 04 REC	1	1390	REC 11795	4 N 03 REC	2500	2500
REC 16471	4 E 04 REC	1	1391	REC 11796	4 N 03 REC	2500	2500
REC 16521	4 G 11 REC	1	1392	REC 11797	4 N 03 REC	2500	2500
REC 16666	3 M 03 REC	20208	1393	REC 11798	4 N 03 REC	2500	2500
REC 16667	3 M 03 REC	20209	1394	REC 11799	4 N 03 REC	2500	2500
REC 16668	4 N 03 REC	30229	1395	REC 11800	4 N 03 REC	2500	2500
REC 16669	4 N 03 REC	30230	1396	REC 11801	4 N 03 REC	2500	2500
REC 16670	4 N 03 REC	30231	1397	REC 11802	4 N 03 REC	2500	2500
REC 16671	3 M 03 REC	30232	1398	REC 11803	4 N 03 REC	2500	2500
REC 16672	3 M 03 REC	30233	1399	REC 11804	4 N 03 REC	2500	2500
REC 16673	3 M 03 REC	30234	1400	REC 11805	4 N 03 REC	2500	2500
REC 16674	3 M 03 REC	30235	1401	REC 11806	4 N 03 REC	2500	2500
REC 16675	3 M 03 REC	30236	1402	REC 11807	4 N 03 REC	2500	2500
REC 16676	3 M 03 REC	30237	1403	REC 11808	4 N 03 REC	2500	2500
REC 16677	3 M 03 REC	30238	1404	REC 11809	4 N 03 REC	2500	2500
REC 16678	3 M 03 REC	30239	1405	REC 11810	4 N 03 REC	2500	2500
REC 16679	3 M 03 REC	30240	1406	REC 11811	4 N 03 REC	2500	2500
REC 16680	3 M 03 REC	30241	1407	REC 11812	4 N 03 REC	2500	2500
REC 16681	3 M 03 REC	30242	1408	REC 11813	4 N 03 REC	2500	2500
REC 16682	3 M 03 REC	30243	1409	REC 11814	4 N 03 REC	2500	2500
REC 16683	3 M 03 REC	30244	1410	REC 11815	4 N 03 REC	2500	2500
REC 16684	3 M 03 REC	30245	1411	REC 11816	4 N 03 REC	2500	2500
REC 16685	3 M 03 REC	30246	1412	REC 11817	4 N 03 REC	2500	2500
REC 16686	3 M 03 REC	30247	1413	REC 11818	4 N 03 REC	2500	2500
REC 16687	3 M 03 REC	30248	1414	REC 11819	4 N 03 REC	2500	2500
REC 16688	3 M 03 REC	30249	1415	REC 11820	4 N 03 REC	2500	2500
REC 16689	3 M 03 REC	30250	1416	REC 11821	4 N 03 REC	2500	2500
REC 16690	3 M 03 REC	30251	1417	REC 11822	4 N 03 REC	2500	2500
REC 16691	3 M 03 REC	30252	1418	REC 11823	4 N 03 REC	2500	2500
REC 16692	3 M 03 REC	30253	1419	REC 11824	4 N 03 REC	2500	2500
REC 16693	3 M 03 REC	30254	1420	REC 11825	4 N 03 REC	2500	2500
REC 16694	3 M 03 REC	30255	1421	REC 11826	4 N 03 REC	2500	2500
REC 16695	3 M 03 REC	30256	1422	REC 11827	4 N 03 REC	2500	2500
REC 16696	3 M 03 REC	30257	1423	REC 11828	4 N 03 REC	2500	2500
REC 16697	3 M 03 REC	30258	1424	REC 11829	4 N 03 REC	2500	2500
REC 16698	3 M 03 REC	30259	1425	REC 11830	4 N 03 REC	2500	2500
REC 16699	3 M 03 REC	30260	1426	REC 11831	4 N 03 REC	2500	2500
REC 16700	3 M 03 REC	30261	1427	REC 11832	4 N 03 REC	2500	2500
REC 16701	3 M 03 REC	30262	1428	REC 11833	4 N 03 REC	2500	2500
REC 16702	3 M 03 REC	30263	1429	REC 11834	4 N 03 REC	2500	2500
REC 16703	3 M 03 REC	30264	1430	REC 11835	4 N 03 REC	2500	2500
REC 16704	3 M 03 REC	30265	1431	REC 11836	4 N 03 REC	2500	2500
REC 16705	3 M 03 REC	30266	1432	REC 11837	4 N 03 REC	2500	2500
REC 16706	3 M 03 REC	30267	1433	REC 11838	4 N 03 REC	2500	2500
REC 16707	3 M 03 REC	30268	1434	REC 11839	4 N 03 REC	2500	2500
REC 16708	3 M 03 REC	30269	1435	REC 11840	4 N 03 REC	2500	2500
REC 16709	3 M 03 REC	30270	1436	REC 11841	4 N 03 REC	2500	2500
REC 16710	3 M 03 REC	30271	1437	REC 11842	4 N 03 REC	2500	2500
REC 16711	3 M 03 REC	30272	1438	REC 11843	4 N 03 REC	2500	2500
REC 16712	3 M 03 REC	30273	1439	REC 11844	4 N 03 REC	2500	2500
REC 16713	3 M 03 REC	30274	1440	REC 11845	4 N 03 REC	2500	2500
REC 16714	3 M 03 REC	30275	1441	REC 11846	4 N 03 REC	2500	2500
REC 16715	3 M 03 REC	30276	1442	REC 11847	4 N 03 REC	2500	2500
REC 16716	3 M 03 REC	30277	1443	REC 11848	4 N 03 REC	2500	2500
REC 16717	3 M 03 REC	30278	1444	REC 11849	4 N 03 REC	2500	2500
REC 16718	3 M 03 REC	30279	1445	REC 11850	4 N 03 REC	2500	2500
REC 16719	3 M 03 REC	30280	1446	REC 11851	4 N 03 REC	2500	2500
REC 16720	3 M 03 REC	30281	1447	REC 11852	4 N 03 REC	2500	2500
REC 16721	3 M 03 REC	30282	1448	REC 11853	4 N 03 REC	2500	2500
REC 16722	3 M 03 REC	30283	1449	REC 11854	4 N 03 REC	2500	2500
REC 16723	3 M 03 REC	30284	1450	REC 11855	4 N 03 REC	2500	2500
REC 16724	3 M 03 REC	30285	1451	REC 11856	4 N 03 REC	2500	2500
REC 16725	3 M 03 REC	30286	1452	REC 11857	4 N 03 REC	2500	2500
REC 16726	3 M 03 REC	30287	1453	REC 11858	4 N 03 REC	2500	2500
REC 16727	3 M 03 REC	30288	1454	REC 11859	4 N 03 REC	2500	2500
REC 16728	3 M 03 REC	30289	1455	REC 11860	4 N 03 REC	2500	2500
REC 16729	3 M 03 REC	30290	1456	REC 11861	4 N 03 REC	2500	2500
REC 16730	3 M 03 REC	30291	1457	REC 11862	4 N 03 REC	2500	2500
REC 16731	3 M 03 REC	30292	1458	REC 11863	4 N 03 REC	2500	2500
REC 16732	3 M 03 REC	30293	1459	REC 11864	4 N 03 REC	2500	2500
REC 16733	3 M 03 REC	30294	1460	REC 11865	4 N 03 REC	2500	2500
REC 16734	3 M 03 REC	30295	1461	REC 11866	4 N 03 REC	2500	2500
REC 16735	3 M 03 REC	30296	1462	REC 11867	4 N 03 REC	2500	2500
REC 16736	3 M 03 REC	30297	1463	REC 11868	4 N 03 REC	2500	2500
REC 16737	3 M 03 REC	30298	1464	REC 11869	4 N 03 REC	2500	2500
REC 16738	3 M 03 REC	30299	1465	REC 11870	4 N 03 REC	2500	2500
REC 16739	3 M 03 REC	30300	1466	REC 11871	4 N 03 REC	2500	2500
REC 16740	3 M 03 REC	30301	1467	REC 11872	4 N 03 REC	2500	2500
REC 16741	3 M 03 REC	30302	1468	REC 11873	4 N 03 REC	2500	2500
REC 16742	3 M 03 REC	30303	1469	REC 11874	4 N 03 REC	2500	2500
REC 16743	3 M 03 REC	30304	1470	REC 11875	4 N 03 REC	2500	2500
REC 16744	3 M 03 REC	30305	1471	REC 11876	4 N 03 REC	2500	2500
REC 16745	3 M 03 REC	30306	1472	REC 11877	4 N 03 REC	2500	2500
REC 16746	3 M 03 REC	30307	1473	REC 11878	4 N 03 REC	2500	2500
REC 16747	3 M 03 REC	30308	1474	REC 11879	4 N 03 REC	2500	2500
REC 16748	3 M 03 REC	30309	1475	REC 11880	4 N 03 REC	2500	2500
REC 16749	3 M 03 REC	30310	1476	REC 11881	4 N 03 REC	2500	2500
REC 16750	3 M 03 REC	30311	1477	REC 11882	4 N 03 REC	2500	2500
REC 16751	3 M 03 REC	30312	1478	REC 11883	4 N 03 REC	2500	2500
REC 16752	3 M 03 REC	30313	1479	REC 11884	4 N 03 REC	2500	2500
REC 16753	3 M 03 REC	30314	1480	REC 11885	4 N 03 REC	2500	2500
REC 16754	3 M 03 REC	30315	1481	REC 11886	4 N 03 REC	2500	2500
REC 16755	3 M 03 REC	30316	1482	REC 11887	4 N 03 REC	2500	2500
REC 16756	3 M 03 REC	30317	1483	REC 11888	4 N 03 REC	2500	2500
REC 16757	3 M 03 REC	30318	1484	REC 11889	4 N 03 REC	2500	2500
REC 16758	3 M 03 REC	30319	1485	REC 11890	4 N 03 REC	2500	2500
REC 16759	3 M 03 REC	30320	1486	REC 11891	4 N 03 REC	2500	2500
REC 16760	3 M 03 REC	30321	1487	REC 11892	4 N 03 REC	2500	2500
REC 16761	3 M 03 REC	30322	1488	REC 11893	4 N 03 REC	2500	2500
REC 16762	3 M 03 REC	30323	1489	REC 11894	4 N 03 REC	2500	2500
REC 16763	3 M 03 REC	30324	1490	REC 11895	4 N 03 REC	2500	2500
REC 16764	3 M 03 REC	30325	1491	REC 11896	4 N 03 REC	2500	2500
REC 16765	3 M 03 REC	30326	1492	REC 11897	4 N 03 REC	2500	2500
REC 16766	3 M 03 REC	30327	1493	REC 11898	4 N 03 REC	2500	2500
REC 16767	3 M 03 REC	30328	1494	REC 11899	4 N 03 REC	2500	2500
REC 16768	3 M 03 REC	30329	1495	REC 11900	4 N 03 REC	2500	2500
REC 16769	3 M 03 REC	30330	1496	REC 11901	4 N 03 REC	2500	2500
REC 16770	3 M 03 REC	30331	1497	REC 11902	4 N 03 REC	2500	2500

MASTER INDEX	GROUP INDEX	
ENGINE 1 D		
ENGINE MANAGEMENT/EMISSION SYSTEMS 1 F	BONNET AND TRUNK HARNESSSES 2 C 13	EARTH LEADS 2 C 14
AIR AND FUEL DELIVERY SYSTEMS 1 G	EARTH LEADS 2 C 14	ELECTRICAL CARRIER BOX 2 C 15
ENGINE COOLING SYSTEM 1 H	FUSEBOXES 2 C 15	HARNESS-CABIN 2 C 05
EXHAUST SYSTEM AND COMPONENTS 1 I	MAIN VEHICLE HARNESSSES 2 C 02	HARNESS-DOOR 2 C 07
TRANSMISSION AND DRIVELINE 1 J	OCCUPANT COMPARTMENT HARNESSSES 2 C 05	HARNESS-FACIA 2 C 08
STEERING AND SUSPENSION 1 K	RELAYS 2 D 02	HARNESS-FRONT-4.0 LITRE 2 C 02
BRAKING SYSTEM 1 M	HARNESS-IN CAR ENTERTAINMENT 2 C 09	
AIR CONDITIONING/HEATING/VENTILATION 1 N	HARNESS-REAR-4.0 LITRE 2 C 03	
WIPER AND WASHER SYSTEMS 1 O	HARNESS-SEAT 2 C 11	
ELECTRICAL DISTRIBUTION SYSTEM 2 C	HARNESS-TELEPHONE 2 C 12	
INFORMATION SYSTEMS AND CONTROLS 2 E	HARNESS-TRUNK/TRUNK LID 2 C 13	
BATTERY/STARTER MOTOR/ALTERNATOR 2 F	POWER CABLE AND FUSEBOX MODULE 2 C 18	
IN CAR ENTERTAINMENT 2 G	RELAYS 2 D 02	
LIGHTING - EXTERIOR/INTERIOR 2 H		
LOCKING/SECURITY SYSTEMS/HORNS 2 I		
SEATING 2 J		
OCCUPANT RESTRAINTS 2 L		
INTERIOR TRIM AND LININGS 2 M		
EXTERIOR FITTINGS AND SUNROOF 3 C		
BODY CLOSURES AND SEALING 3 D		
BODY METAL PANELS AND SEALING 3 G		
ACCESSORIES/CONSUMABLES/INDEX 3 H		

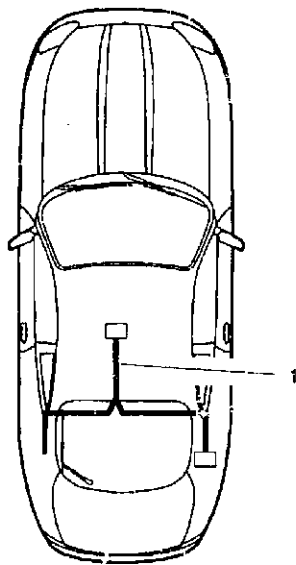


Illus	Part Number	Description	Quantity	Change Point	Remarks
	1 LJA 3120BE	Left forward harness.....	1	(1)	
	1 LJA 3120BF	Left forward harness.....	1	(2)	
	1 LJB 3120BE	Left forward harness.....	1	(3)	
	1 LJB 3120BF	Left forward harness.....	1	(4)	
	1 LJB 5120GF	Left forward harness.....	1	(5)	
	1 LJC 3120BE	Left forward harness.....	1	(6)	
	LJA 3410AF	Anti lock brake system harness-front.....	2	(7)	
	LJB 3410AD	Anti lock brake system harness-front.....	2	(8)	
	ADJ 9028	Tie strap-7.75" long.....	2		
	JFY 106041	Nut-M6.....	3		
	LJA 6743AA	Relay bracket.....	1		
	LJA 3890CB	Connector bracket.....	1		
	C 5574	Grommet.....	1		
	KDH 110011	Cable clip.....	4		
	KZC 160043	Harness clip.....	4		
	KRA 616001	Flat head rivet-cover to bumper beam.....	2		
	JLM 20657	Harness clip kit.....	1		
	BDC 4858	Florkt rivet.....	2		
	FN 106041 J	Flange nut-M6.....	4		
	LJA 3832BC	Harness shield-bumper.....	1		
	JFS 10625F	Flange head screw.....	2		(6)..... 4.0 Litre supercharged

TM6161

CHANGE POINTS:

- (1) To (V) 003309
- (2) From (V) 003310 To (V) 018107
- (3) From (V) 018108 To (V) 023682
- (4) From (V) 023683 To (V) 024086
- (5) From (V) 024087 To (V) 031302
- (6) From (V) 031303
- (7) To (V) 018107
- (8) From (V) 018108



TM61e3

Qty	Part Number	Description	Quantity	Change Point	Remarks
1	LJA 3100CF	REARWARD HARNESS	1	(1).....	Coupe
	LJA 3652AD	* Aerial coax cable-telephone-rear screen.....	1		
	LJA 3670AD	* Aerial coax cable-security	1		
1	LJB 3100CE	Rearward harness	1	(2).....	Coupe
1	LJB 3100CG	Rearward harness	1	(3).....	
1	LJC 3100CE	Rearward harness	1	(4).....	
1	LJA 3100DH	Rearward harness	1	(1).....	Convertible 2+2
1	LJB 3100DE	Rearward harness	1	(2).....	
1	LJB 3100DG	Rearward harness	1	(3).....	
1	LJC 3100DE	Rearward harness	1	(4).....	
	LJB 3670AC	Aerial coax cable-security.....	1		Coupe
	LJA 3670BD	Aerial coax cable-security.....	1	(5).....	Convertible 2+2
	LJA 3670BE	Aerial coax cable-security.....	1	(6).....	
	LJB 3670BB	Aerial coax cable-security.....	1	(7).....	
	LJA 3410BE	Anti lock brake system harness-rear	2	(5)	
	LJA 3410BF	Anti lock brake system harness-rear	2	(6)	
	LJB 3410BD	Anti lock brake system harness-rear	2	(7)	
	HMB 1728AA	Foam strip-anti rattle.....	1		Coupe
	AB 810031 J	Screw.....	1	(7).....	
	AGU 2282	Push on fix.....	6		
	AGU 2436J	Plastic push on nut.....	1		
	FN 108041 J	Flanged nut -M6.....	2		
	JZS 100044	Flange screw-M6.....	2		
	WF 108001 J	Shakeproof washer-M6.....	2		

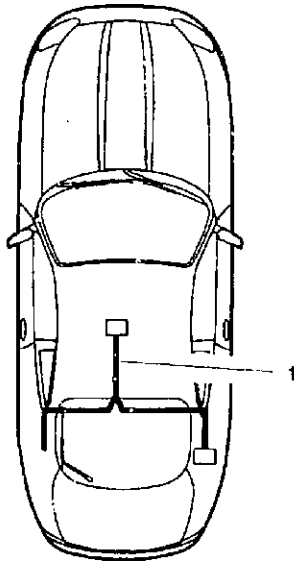
CHANGE POINTS:

- (1) To (V) 018107
- (2) From (V) 018108 To (V) 024686
- (3) From (V) 024687 To (V) 031302
- (4) From (V) 031303
- (5) To (V) 003309
- (6) From (V) 003310 To (V) 018107
- (7) From (V) 018108

MAIN VEHICLE HARNESSSES

HARNESS-REAR-4.0 LITRE

Qty	Part Number	Description	Quantity	Change Point	Remarks
	LJA 3832AB	Harness shield-rear	1	(1)	
	LJB 3832CA	Harness shield-rear	1	(2)	
	LJA 3862TA	Harness grommet-LH rear quarter	1	(3).....] Convertible 2+2
	LJA 3862TB	Harness grommet-LH rear quarter	1	(4).....	
	LJA 3862UA	Harness grommet	1	
	BD 384202	Double edge finisher-left forward harness	1		
	LJA 3832LA	Harness shield-rear	1] Convertible 2+2
	ADU 9026	Tie strap-7.75" long	1	
	JLM 20657	Harness clip kit	1		
	LJB 3890EA	Connector bracket-harness-sensor-trunk:	2		



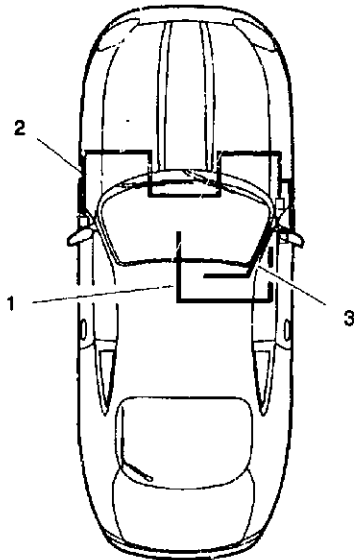
TM6163

CHANGE POINTS:

- (1) To (V) 017419
- (2) From (V) 017420
- (3) To (V) 012212
- (4) From (V) 012213

HARNESS-CABIN

Qty	Part Number	Description	Quantity	Change Point	Remarks
1	LJA 3704AD	Cabin cable -RH side-facia-fusebox	1	(1)	
1	LJA 3704AE	Cabin cable -RH facia-fusebox-positive	1	(2)	
1	LJA 3705AB	Cabin cable -LH side-facia-fusebox	1		
	LJA 1380BA	Protective boot-terminal post	1		
2	LJA 3600AE	Air conditioning harness	1	(3)	
2	LJA 3600AG	Air conditioning harness	1	(4)	
2	LJB 3600AE	Air conditioning harness	1	(5)	
2	LJB 3600CF	Air conditioning harness	1	(6)	
2	LJC 3600CA	Air conditioning harness	1	(7)	
	JFY 106041	Nut-M6	2	(8)	
	ADU 9028	Tie strap-7.75" long	5		
	CBC 8156	Mounting bracket insulation	1		
	DAC 4027 1	Edge finisher strip	NLA	(9)	Use DAC4027B.
	DAC 4027 8	Edge finisher strip	2	(8)	
3	LJA 3060AE	Roof harness	1	(3)	Coupe
3	LJA 3060AF	Roof harness	1	(4)	
3	LJB 3060AD	Roof harness	1	(10)	
3	LJA 3060BE	Roof harness	1	(11)	Convertible 2+2
3	LJA 3060BG	Roof harness	1	(12)	
3	LJB 3060BE	Roof harness	1	(10)	



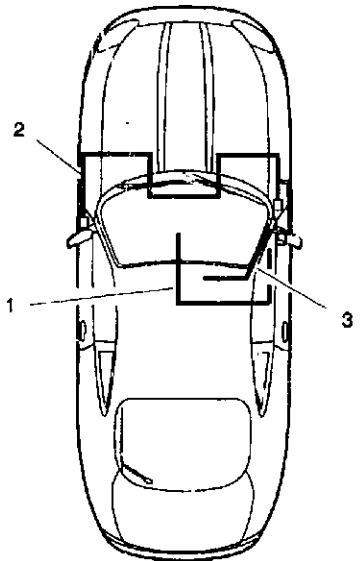
TM6164

CHANGE POINTS:

- (1) To (V) 014667
- (2) From (V) 014668
- (3) To (V) 003309
- (4) From (V) 003310 To (V) 018107
- (5) From (V) 018108 To (V) 024686
- (6) From (V) 024687 To (V) 031302
- (7) From (V) 031303
- (8) From (V) 024687
- (9) To (V) 024686
- (10) From (V) 018108
- (11) To (V) 003169
- (12) From (V) 003170 To (V) 018107

HARNES-CABIN

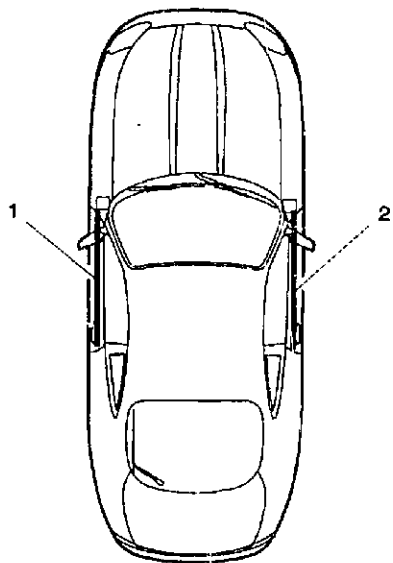
Qty	Part Number	Description	Quantity	Change Point	Remarks
	JLM 20657	Harness clip kit	1		
	FN 108041 J	Flanged nut -MB	A/R		
	JXR 10630F	Flange head screw	A/R		
	JZH 100032	Nut and washer - assembly	A/R		



TM6164

HARNESS-DOOR

Illus	Part Number	Description	Quantity	Change Point	Remarks
1	LJA 3190AG	Door harness-driver	1	(1)	
1	LJB 3180AF	Door harness-driver	1	(2)	
1	LJC 3190AC	Door harness-driver	1	(3)	
2	LJA 3190BE	Door harness-passenger	1	(4)	
2	LJA 3190BG	Door harness-passenger	1	(5)	
2	LJB 3190BD	Door harness-passenger	1	(6)	
2	LJC 3190BC	Door harness-passenger	1	(3)	
	DAC 40278	Edge finisher strip	2	(3)	
	JLM 20657	Harness clip kit	1		



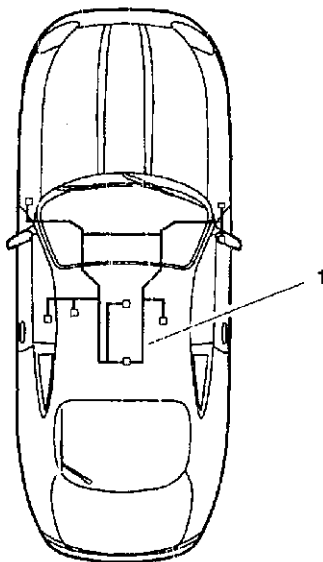
TM6162

CHANGE POINTS:

- (1) To (V) 025499
- (2) From (V) 025500 To (V) 031302
- (3) From (V) 031303
- (4) To (V) 003169
- (5) From (V) 003170 To (V) 018107
- (6) From (V) 018108 To (V) 031302

HARNNESS-FACIA

Illus	Part Number	Description	Quantity	Change Point	Remarks
	1 LJA 3010CE	Facia harness	1	(1)	
	1 LJA 3010CF	Facia harness	1	(2)	
	1 LJB 3010CF	Facia harness	1	(3)	
	1 LJB 3010JE	Facia harness	1	(4)	
	1 LJC 3010CD	Facia harness	1	(5)	
	LJA 3890WA	Connector bracket-LH A-post	1		
	LJA 3890YB	Connector bracket-RH A-post-lower	1	(6)	
	LJA 3890YC	Connector bracket-RH A-post-lower	1	(7)	
	LJA 3031AB	Harness shield-facia	1		
	JLM 20657	Harness clip kit	1		
	JLM 11988	Nyloc nut	1		
	AGJ 2436 J	Plastic push on nut	6		
	JFY 106041	Nut-M6	4		
	CBC 8158	Mounting bracket insulation	1		
	KTA 604805	Mounting cable tie	4		
	ADU 9028	Tie strap-7.75" long	4		

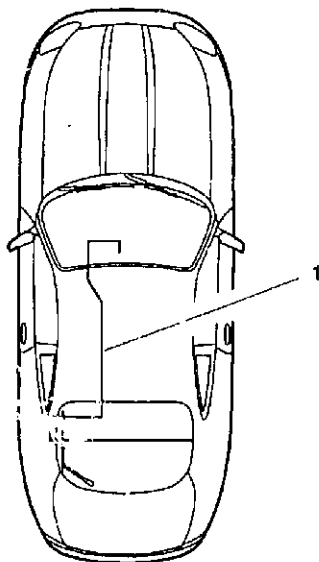


TM6155

CHANGE POINTS:

- (1) To (V) 003303
- (2) From (V) 003310 To (V) 018107
- (3) From (V) 018108 To (V) 024686
- (4) From (V) 024687 To (V) 031302
- (5) From (V) 031303
- (6) To (V) 006647
- (7) From (V) 006648

HARNESS-IN CAR ENTERTAINMENT



TM6156

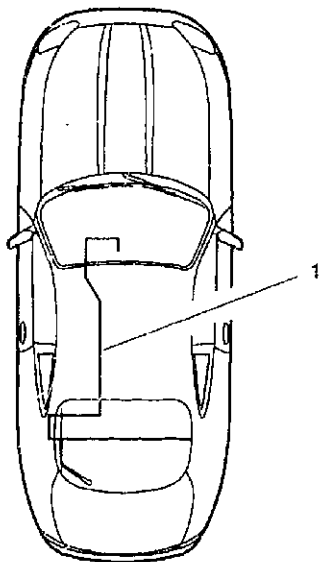
Illus	Part Number	Description	Quantity	Change Point	Remarks
1	LJA 3650AE	In car entertainment harness.....	1	(1).....	Coupe;premium in car entertainment
1	LJA 3650AF	In car entertainment harness.....	1	(2).....	
1	LJB 3650AE	In car entertainment harness.....	1	(3).....	
1	LJB 3650AG	In car entertainment harness.....	1	(4).....	
1	LJC 3650AA	In car entertainment harness.....	1	(5).....	
1	LJA 3650BE	In car entertainment harness.....	1	(1).....	Coupe;except premium in car entertainment
1	LJA 3650BF	In car entertainment harness.....	1	(2).....	
1	LJB 3650BE	In car entertainment harness.....	1	(3).....	
1	LJB 3650BG	In car entertainment harness.....	1	(4).....	
1	LJC 3650BA	In car entertainment harness.....	1	(5).....	
1	LJA 3650CF	In car entertainment harness.....	1	(6).....	Convertible 2+2;premium in car entertainment
1	LJB 3650CE	In car entertainment harness.....	1	(3).....	
1	LJB 3650CG	In car entertainment harness.....	1	(4).....	
1	LJC 3650CA	In car entertainment harness.....	1	(5).....	
1	LJA 3650DE	In car entertainment harness.....	1	(1).....	Convertible 2+2;except premium in car entertainment
1	LJA 3650DF	In car entertainment harness.....	1	(2).....	
1	LJB 3650DE	In car entertainment harness.....	1	(3).....	
1	LJB 3650DG	In car entertainment harness.....	1	(4).....	
1	LJC 3650DA	In car entertainment harness.....	1	(5).....	
	JLM 20657	Harness clip kit.....	1		
	UKC 6683J	Tie strap-15.75".....	1		
	LJA 3862HB	Harness grommet.....	4	(7)	
	LJA 3862LA	Harness grommet.....	4	(8)	
	LJA 3862UA	Harness grommet.....	2		Coupe

CHANGE POINTS:

- (1) To (V) 003309
- (2) From (V) 003310 To (V) 018107
- (3) From (V) 018108 To (V) 024653
- (4) From (V) 024667 To (V) 031302
- (5) From (V) 031303
- (6) To (V) 018107
- (7) To (V) 007149
- (8) From (V) 007150

HARNESS-IN CAR ENTERTAINMENT

Illus	Part Number	Description	Quantity	Change Point	Remarks
	LJA 4130AB	Aerial coax cable	1	(1).....	Coupe
	LJB 4130AA	Aerial coax cable	1	(2).....	
	LJA 4130BA	Aerial coax cable	1	(1).....	Convertible 2+2
	LJB 4130BA	Aerial coax cable	1	(2).....	
	LJA 4171AA	Audio amplifier link lead	1	(1).....	Coupe; premium in car entertainment
	LJB 4171AB	Audio amplifier link lead	1	(2).....	
	LJA 4171BA	Audio amplifier link lead	1	(1).....	Convertible 2+2; premium in car entertainment
	LJB 4171BB	Audio amplifier link lead	1	(2).....	
	CBC 8156	Mounting bracket insulation	1	Premium in car entertainment
	LJA 3862SA	Harness grommet-RH rear quarter.....	1	Convertible 2+2
	KCU 185481	Releaseable tie strap-harness to bonnet crossmember	2	



TM8156

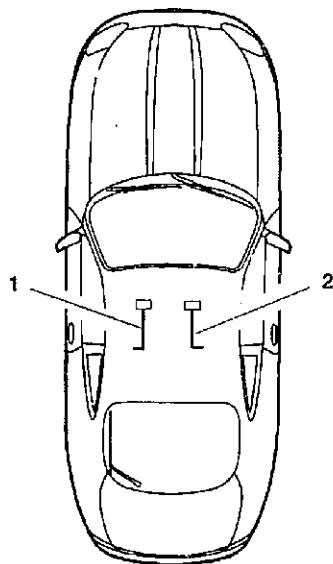
CHANGE POINTS:

(1) To (V) 018107

(2) From (V) 018108

HARNESS-SEAT

Illus	Part Number	Description	Quantity	Change Point	Remarks
	1 LJA 3510AE	Driver's seat harness-memory.....	1	(1).....] Height rise
	1 LJA 3510AF	Driver's seat harness-memory.....	1	(2).....	
	1 LJB 3510DE	Driver's seat harness-LH-memory.....	1	(3).....	
	1 LJA 3510BE	Driver's seat harness-non memory.....	1	(1).....] Height rise
	1 LJA 3510BF	Driver's seat harness-non memory.....	1	(2).....	
	1 LJB 3510BE	Driver's seat harness-RH-non memory.....	1	(4).....	
	1 LJB 3510BF	Driver's seat harness-RH-non memory.....	1	(5).....	
	1 LJB 3510EE	Driver's seat harness-LH-non memory.....	1	(3).....	
	2 LJA 3510CE	Passenger seat harness-non memory.....	1	(1).....] Except height rise
	2 LJA 3510CF	Passenger seat harness-non memory.....	1	(2).....	
	2 LJB 3510CE	Passenger seat harness-RH-non memory.....	1	(4).....	
	2 LJB 3510CF	Passenger seat harness-RH-non memory.....	1	(5).....	
	JLM 20657	Harness clip kit.....	1		



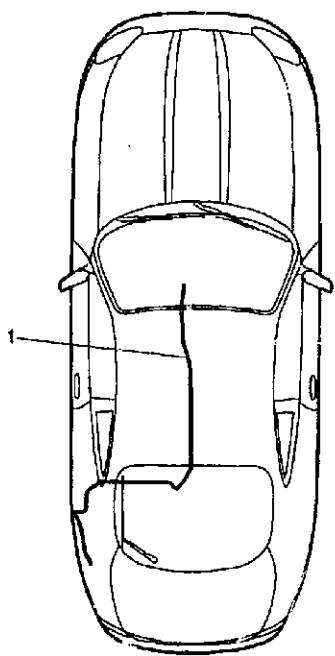
TM6156

CHANGE POINTS:

- (1) To (V) 003309
- (2) From (V) 003310 To (V) 018107
- (3) From (V) 018108
- (4) From (V) 018108 To (V) 024686
- (5) From (V) 024687

HARNESS-TELEPHONE

Illus	Part Number	Description	Quantity	Change Point	Remarks
	1 LJA 3652BD	Aerial coax cable-telephone-LH-rear wing.....	1	(1).....] Convertible 2+2
	1 LJB 3652BA	Aerial coax cable-telephone-LH-rear wing.....	1	(2).....	
	1 LJC 3652BA	Aerial coax cable-telephone-LH-rear wing.....	1	(3).....	
	1 LJA 3652AD	Aerial coax cable-telephone-rear screen.....	1	(1).....] Coupe
	1 LJB 3652AA	Aerial coax cable-telephone-rear screen.....	1	(2).....	
	1 LJC 3652AA	Aerial coax cable-telephone-rear screen.....	1	(3).....	
	JLM 20657	Harness clip kit	1		
	ADU 9026	Tie strap-7.75" long	1	(4)	

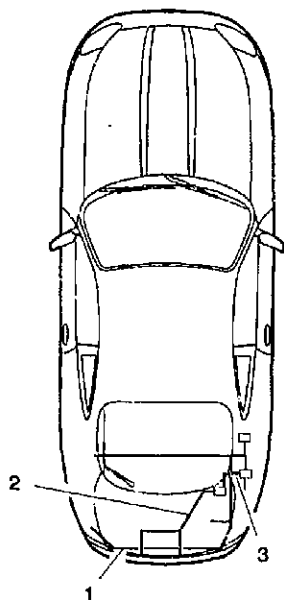


TM6646

CHANGE POINTS:

- (1) To (V) 018107
- (2) To (V) 031302; From (V) 018108 To (V) 031302
- (3) From (V) 031303
- (4) From (V) 024687

HARNESS-TRUNK/TRUNK LID



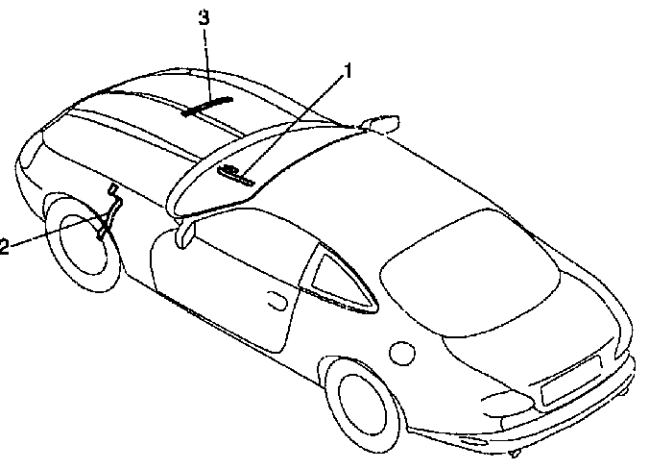
TM6160

Illus	Part Number	Description	Quantity	Change Point	Remarks
	1 LJA 3070CE	Trunk harness	1	(1).....] Coupe
	1 LJA 3070CF	Trunk harness	1	(2).....	
	1 LJB 3070CE	Trunk harness	1	(3).....	
	1 LJC 3070CD	Trunk harness	1	(4).....	
	1 LJA 3070DE	Trunk harness	1	(1).....] Convertible 2+2
	1 LJA 3070DF	Trunk harness	1	(2).....	
	1 LJB 3070DE	Trunk harness	1	(3).....	
	1 LJC 3070DD	Trunk harness	1	(4).....	
	2 LJA 3080AE	Trunk lid harness	1	(5).....] Coupe
	2 LJB 3080AD	Trunk lid harness	1	(6).....	
	2 LJA 3080BE	Trunk lid harness	1	(5).....] Convertible 2+2
	2 LJB 3080BD	Trunk lid harness	1	(6).....	
	3 LJA 3080CG	Trunk lid harness-link lead.....	1	(5)] Convertible 2+2
	3 LJB 3080CD	Trunk lid harness-link lead.....	1	(6)	
	JLM 20657	Harness clip kit.....	1		
	LJB 3075BA	Trunk harness link lead-accessory.....	1		
	LJA 3832JC	Harness shield-rear	1		
	LJA 3890DB	Connector bracket-trunk	1		
	JZS 100134	Torx pan head machine screw-M8.....	1		
	JFY 108041	Nut-M6.....	3		
	AGU 2436J	Plastic push on nut	5	 Except Convertible 2+2
	KZC 10002F	Special harness clip.....	A/R		
	C 17432	Pipe grommet	4		
	CBC 8158	Mounting bracket insulation	1		
	ADU 9029	Tie strap-7.75" long	4		
	DAC 8797	Tie strap-harness-trunk	2] Convertible 2+2
	NJA 6121AA	Fuel tank location pad-rear	1		

CHANGE POINTS:

- (1) To (V) 003309
- (2) From (V) 003310 To (V) 018107
- (3) From (V) 018108 To (V) 031302
- (4) From (V) 031303
- (5) To (V) 018107
- (6) From (V) 018108

Illus	Part Number	Description	Quantity	Change Point	Remarks
1	DBC 5807	Radio earth strap.....	1		
	JFY 106041	Nut-M6.....	1		
2	LJA 3744AC	Wheel hub earth lead.....	2		
3	DBC 10684	Engine earth lead.....	1	(1)	
3	LNB 3740AA	Engine earth lead.....	1	(2)	
	LMB 3741AA	Bonnet earth lead.....	1		
	JFS 110167	Flange head screw.....	1		
	JZS 100025	Earth lead screw-M8 x 30mm.....	1		
	WF 110001 J	Washer-metric.....	2		
	LJA 3745AA	Earth lead-hood.....	1	] Convertible 2+2
	JZS 100044	Flange screw-M6.....	1	]

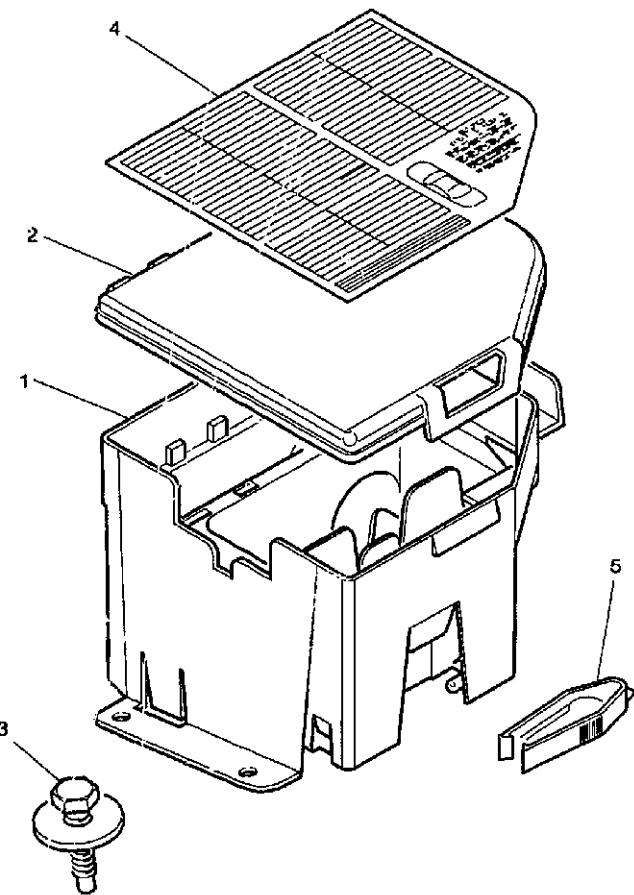


TM6178

CHANGE POINTS:
 (1) To (V) 007149
 (2) From (V) 007150

ELECTRICAL CARRIER BOX

Illus	Part Number	Description	Quantity	Change Point	Remarks
1	GJA 3890AD	Carrier box-trunk	1		
2	GJA 3892AA	Carrier box lid	1		
3	JZH 100040	Screw/washer -M6	3		
4	LJA 2870AC	Fusebox label	1	(1)	
4	LNC 2870AB	Fusebox label	1	(2)	
	LJB 2870AB	Fusebox lid label-trunk	1	(3)	
	LJB 2870AC	Fusebox lid label-trunk	1	(4)	
5	LNA 2849AA	Fuse puller	1		



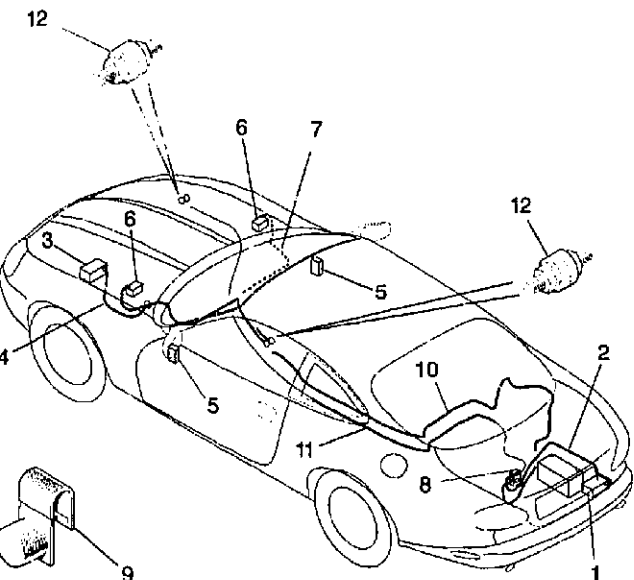
TM6336

CHANGE POINTS:

- (1) To (V) 018107
- (2) From (V) 018108
- (3) From (V) 018108 To (V) 024686
- (4) From (V) 024887

POWER CABLE AND FUSEBOX MODULE

Illus	Part Number	Description	Quantity	Change Point	Remarks
	1 LJA 2822BF	Trunk mounted fusebox-22 way	1	(1)	
	1 LJB 2822BB	Trunk mounted fusebox-22 way	1	(2)	
	1 LJB 2822DB	Trunk mounted fusebox-22 way	1	(3)	
	2 LJA 3700AB	Fusebox power cable -trunk	1	(4)	
	2 LJA 3700AC	Fusebox power cable -trunk	1	(5)	
	2 LNC 3700AB	Fusebox power cable -trunk	1	(6)	
	ADJ 902B	Tie strap-7.75" long	2		
	3 LJA 2822AF	Engine bay fusebox-22 way	1	(1)	
	3 LJB 2822AB	Engine bay fusebox-22 way	1	(6)	
	JLM 20611	Fusebox cover-22 way-engine bay	1		
	4 LJA 3711AB	Power cable -LH-engine bay	1		
	KDH 108014	Pipe clip-treble	1	(7)	
	KDG 108084	Cable clip-double	1	(8)	
	5 LJA 2800AE	Fusebox-18 way-facia-driver's side	1	(1)	
	5 LJB 2800AA	Fusebox-18 way-facia-driver's side	1	(8)	
	5 LJA 2800BE	Fusebox-18 way-facia-passenger side	1	(1)	
	5 LJB 2800BB	Fusebox-18 way-facia-passenger side	1	(6)	
	6 LJA 2800CE	Engine bay fusebox-18 way	1	(1)	
	6 LJB 2800CA	Engine bay fusebox-18 way	1	(2)	
	6 LJB 2800FA	Engine bay fusebox-18 way	1	(9)	
	6 LJC 2800CA	Engine bay fusebox-18 way	1	(8)	
	JLM 20610	Fusebox cover-18 way-engine bay	1		
	LJA 3710AB	Power cable -engine bay	1		



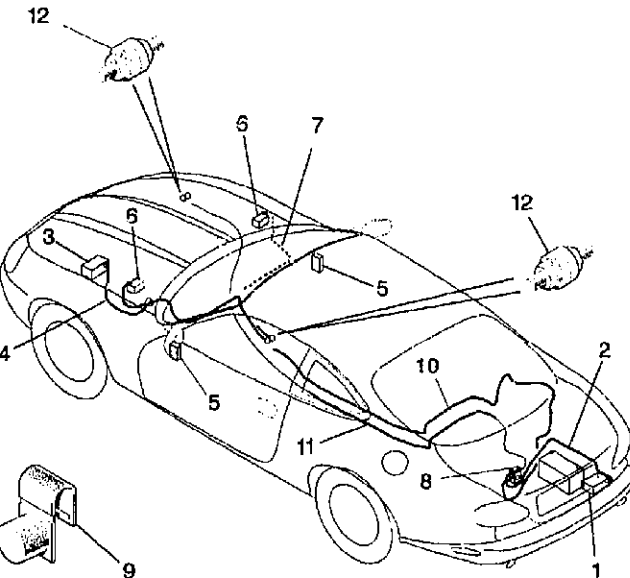
CHANGE POINTS:

- (1) To (V) 018107
- (2) From (V) 018108 To (V) 024666
- (3) From (V) 024687
- (4) To (V) 007155
- (5) From (V) 007156 To (V) 018107
- (6) From (V) 018103
- (7) To (V) 031302
- (8) From (V) 031303
- (9) From (V) 024687 To (V) 031302

TM6287

POWER CABLE AND FUSEBOX MODULE

Qty	Part Number	Description	Quantity	Change Point	Remarks
8	LJA 2850AA	Fusebox protection module lid.....	1		
	LJA 2850BA	Fusebox protection module.....	1	(1)	
	LJA 2050BD	Fusebox protection module.....	1	(2)	
	LJA 2850BE	Fusebox protection module.....	1	(3)	
	FN 106041 J	Flange nut-M6.....	2		
	JFY 10804B	Flange locking nut-M8.....	3		
	FN 108041 J	Flanged nut -M8.....	1		
9	DBC 12311	Terminal boot.....	1		
	BD 37521	Blanking plug-31.7mm diameter.....	1		
10	LJA 3707AB	Fusebox power cable.....	1	(4).....	Coupe
10	LJC 3707AA	Fusebox power cable.....	1	(5).....	
10	LJA 3707BB	Fusebox power cable.....	1	(4).....	Convertible 2+2
10	LJC 3707BA	Fusebox power cable.....	1	(5).....	
11	LJA 3692AB	Positive battery extension cable.....	1	(6)	
11	LJA 3692AC	Positive battery extension cable.....	1	(7)	
11	LJC 3692AA	Positive battery extension cable.....	1	(5)	
	KZC 100006	Pipe clip.....	9		
12	LJA 1380AB	Terminal post -assembly.....	1		
	JZN 100048	Hexagonal nut-brass finish.....	1		
	KTA 604805	Mounting cable tie.....	2	(5).....	Convertible 2+2
	C 22967	Was 1st.....	1		
	LJA 1380BA	Protective boot-terminal post.....	1		



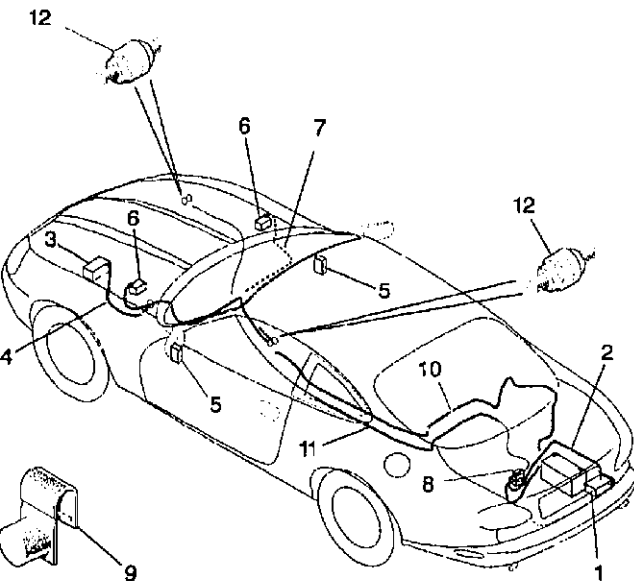
TME267

CHANGE POINTS.

- (1) To (V) 007149
- (2) From (V) 007150 To (V) 013432
- (3) From (V) 013433
- (4) To (V) 031302
- (5) From (V) 031303
- (6) To (V) 013863
- (7) From (V) 013864 To (V) 031302

POWER CABLE AND FUSEBOX MODULE

illus	Part Number	Description	Quantity	Change Point	Remarks
	LST 8724AA	Fuse-3 amp-violet.....	A/R		
	LST 8725AA	Fuse-5 amp -tan	A/R		
	LST 8726AA	Fuse-7.5 amp -brown.....	A/R		
	LST 8727AA	Fuse-10 amp -red.....	A/R		
	LST 8728AA	Fuse-15 amp -light blue.....	A/R		
	LST 8729AA	Fuse-20 amp -yellow.....	A/R		
	LST 8730AA	Fuse-25 amp -white.....	A/R		
	LST 8731AA	Fuse-30 amp.....	A/R		
	LST 8732AA	Fuse-35 amp-blue/green.....	A/R		
	LST 8733AA	Fuse-40 amp -orange.....	A/R		
	LST 8734AA	Fuse-100 amp-yellow.....	A/R		
	LST 8735AA	Fuse-125 amp-green.....	A/R		
	LST 8736AA	Fuse-150 amp-orange.....	A/R		
	LST 8737AA	Fuse-175 amp-white.....	A/R		
	LST 8738AA	Fuse-200 amp-blue.....	A/R		
	LST 8739AA	Fuse-225 amp-tan.....	A/R		
	LST 8740AA	Fuse-250 amp-pink.....	A/R		

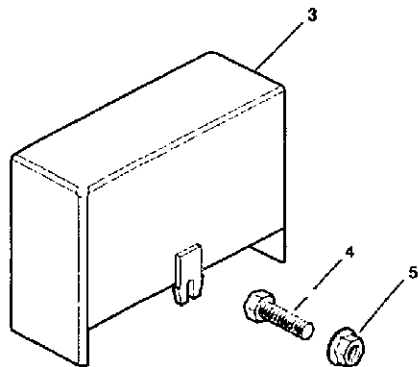
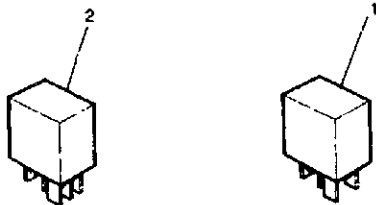


MASTER INDEX	GROUP INDEX	
ENGINE 1 D		
ENGINE MANAGEMENT/EMISSION SYSTEMS 1 F	BONNET AND TRUNK HARNESSSES 2 C 13	EARTH LEADS 2 C 14
AIR AND FUEL DELIVERY SYSTEMS 1 G	EARTH LEADS 2 C 14	ELECTRICAL CARRIER BOX 2 C 15
ENGINE COOLING SYSTEM 1 H	FUSEBOXES 2 C 15	HARNESS-CABIN 2 C 05
EXHAUST SYSTEM AND COMPONENTS 1 I	MAIN VEHICLE HARNESSSES 2 C 02	HARNESS-DOOR 2 C 07
TRANSMISSION AND DRIVELINE 1 J	OCCUPANT COMPARTMENT HARNESSSES 2 C 05	HARNESS-FACIA 2 C 08
STEERING AND SUSPENSION 1 K	RELAYS 2 D 02	HARNESS-FRONT 4.0 LITRE 2 C 02
BRAKING SYSTEM 1 M		HARNESS-IN CAR ENTERTAINMENT 2 C 09
AIR CONDITIONING/HEATING/VENTILATION 1 N		HARNESS-REAR 4.0 LITRE 2 C 03
WIPER AND WASHER SYSTEMS 1 O		HARNESS-SEAT 2 C 11
ELECTRICAL DISTRIBUTION SYSTEM 2 C		HARNESS-TELEPHONE 2 C 12
INFORMATION SYSTEMS AND CONTROLS 2 E		HARNESS-TRUNK/TRUNK LID 2 C 13
BATTERY/STARTER MOTOR/ALTERNATOR 2 F		POWER CABLE AND FUSEBOX MODULE 2 C 16
IN CAR ENTERTAINMENT 2 G		RELAYS 2 D 02
LIGHTING - EXTERIOR/INTERIOR 2 H		
LOCKING/SECURITY SYSTEMS/HORNS 2 I		
SEATING 2 J		
OCCUPANT RESTRAINTS 2 L		
INTERIOR TRIM AND LININGS 2 M		
EXTERIOR FITTINGS AND SUNROOF 3 C		
BODY CLOSURES AND SEALING 3 D		
BODY METAL PANELS AND SEALING 3 G		
ACCESSORIES/CONSUMABLES/INDEX 3 H		

RELAYS

RELAYS

Qty	Part Number	Description	Quantity	Change Point	Remarks
1	LNA 8700AA	Micro relay-blue	1	(1)	
1	LNA 8705AB	Micro relay-black	1	(2)	
1	LNA 8705AA	Micro relay-violet	1	(1)	
1	LNA 8705AB	Micro relay-black	1	(2)	
2	LJA 8707AA	Change over relay	A/R		
3	LJA 8735AB	Relay cover	3		
4	SH 106251 J	Set screw	1		
5	FN 106041 J	Flange nut-M6	1		



TM6271

CHANGE POINTS:

- (1) To (V) 031302
- (2) From (V) 031303

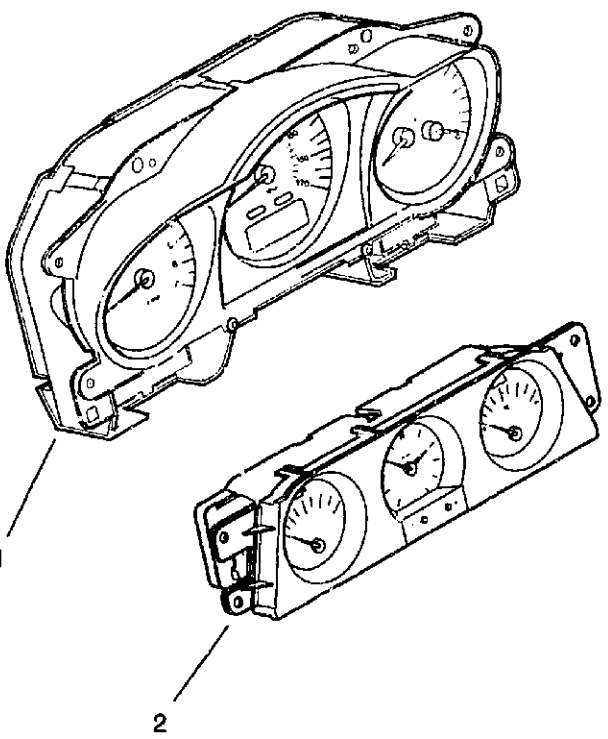
MASTER INDEX
ENGINE 1 D
ENGINE MANAGEMENT/EMISSION SYSTEMS 1 F
AIR AND FUEL DELIVERY SYSTEMS 1 G
ENGINE COOLING SYSTEM 1 H
EXHAUST SYSTEM AND COMPONENTS 1 I
TRANSMISSION AND DRIVELINE 1 J
STEERING AND SUSPENSION 1 K
BRAKING SYSTEM 1 M
AIR CONDITIONING/HEATING/VENTILATION 1 N
WIPER AND WASHER SYSTEMS 1 O
ELECTRICAL DISTRIBUTION SYSTEM 2 C
INFORMATION SYSTEMS AND CONTROLS 2 E
BATTERY/STARTER MOTOR/ALTERNATOR 2 F
IN CAR ENTERTAINMENT 2 G
LIGHTING - EXTERIOR/INTERIOR 2 H
LOCKING/SECURITY SYSTEMS/HORNS 2 I
SEATING 2 J
OCCUPANT RESTRAINTS 2 L
INTERIOR TRIM AND LININGS 2 M
EXTERIOR FITTINGS AND SUNROOF 3 C
BODY CLOSURES AND SEALING 3 D
BODY METAL PANELS AND SEALING 3 G
ACCESSORIES/CONSUMABLES/INDEX 3 H

GROUP INDEX
INFORMATION SYSTEM CONTROL MODULE 2 E 14
INSTRUMENT PACK SENSORS 2 E 04
SPEEDOMETER/TACHOMETER AND GAUGES 2 E 02
SWITCHES AND CIGAR-LIGHTERS 2 E 05

CONSOLE SWITCH AND CIGAR-LIGHTER 2 E 10
CONSOLE SWITCH PANEL ASSEMBLY 2 E 09
CONTROL MODULES-PROGRAMMEABLE 2 E 14
DIMMER MODULE 2 E 08
FUEL FILLER FLAP RELEASE SWITCH 2 E 13
INSTRUMENT PACK 2 E 02
MEMORY SWITCH 2 E 11
SPEED SENSOR 2 E 04
STEERING COLUMN SWITCH 2 E 05
TRIP SWITCH 2 E 12
WIPER/WASHER/DIRECTION INDICATOR 2 E 07

INSTRUMENT PACK

Qty	Part Number	Description	Quantity	Change Point	Remarks
1	LJA 4300AE	Major instrument pack-unprogrammed-blank unit-Mph.....	1	(1).....]Note (1)
1	LJA 4300BF	Major instrument pack-blank unit-unprogrammed-Mph.....	1	(2).....	
1	LJA 4300AG	Major instrument pack-blank unit-unprogrammed-Mph.....	1	(3).....	
1	LNC 4300AG	Major instrument pack-blank unit-unprogrammed-Mph.....	1	(4).....	
1	LNC 4300AH	Major instrument pack-blank unit-unprogrammed-Mph.....	1	(5).....	
1	LNC 4300DB	Major instrument pack-blank unit-unprogrammed-Mph.....	1	(8).....]Note (1);4.0 Litre supercharged
1	LNC 4300DC	Major instrument pack-blank unit-unprogrammed-Mph.....	1	(7).....	
1	LJA 4300DE	Major instrument pack-blank unit-unprogrammed-Kph.....	1	(1).....]Note (1);Canada,Mexico;Middle East
1	LJA 4300DF	Major instrument pack-blank unit-unprogrammed-Kph.....	1	(2).....	
1	LJA 4300CG	Major instrument pack-blank unit-unprogrammed-Kph.....	1	(3).....]Note (1);Canada,Mexico;Middle East
1	LNC 4300CG	Major instrument pack-blank unit-unprogrammed-Kph..... with MPH sub-scale.....	1	(4).....	
1	LNC 4370CH	Major instrument pack-blank unit-unprogrammed-Kph..... with MPH sub-scale.....	1	(5).....	
1	LNC 4300FB	Major instrument pack-blank unit-unprogrammed-Kph..... with MPH sub-scale.....	1	(8).....]Note (1);4.0 Litre supercharged,Canada,Mexico;Middle East
1	LNC 4300FC	Major instrument pack-blank unit-unprogrammed-Kph..... with MPH sub-scale.....	1	(7).....	



CHANGE POINTS:

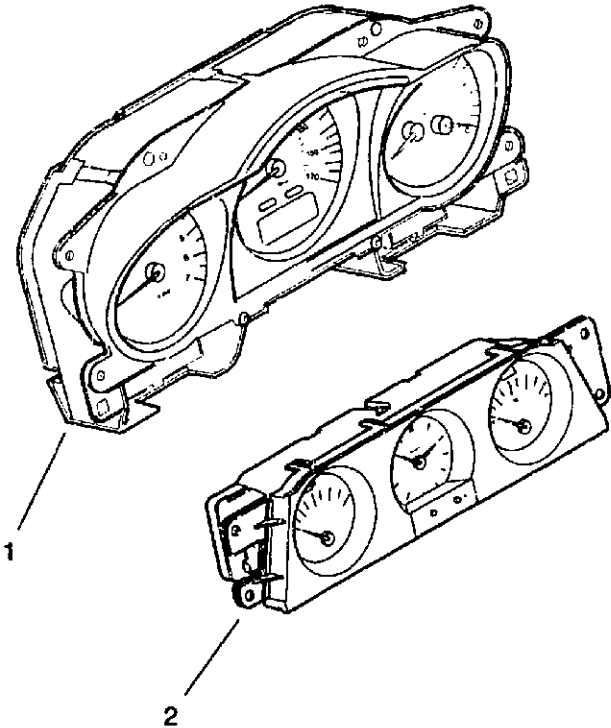
- (1) To (V) 008657
- (2) From (V) 008658 To (V) 011214
- (3) From (V) 011215 To (V) 018107
- (4) From (V) 018108 To (V) 028025
- (5) From (V) 028026
- (8) To (V) 031302
- (7) From (V) 031303

Remarks:

- (1) USE THE PORTABLE DIAGNOSTIC UNIT TO DETERMINE PART NUMBER SUFFIX

INSTRUMENT PACK

Illus	Part Number	Description	Quantity	Change Point	Remarks
	2 LJA 4310AF	Minor instrument pack	1	(1)	
	2 LJA 4310AG	Minor instrument pack	NLA	(2)	Use LJB4310AB.
	2 LJB 4310AA	Minor instrument pack	1	(3)	
	2 LJB 4310AB	Minor instrument pack	1	(4)	
	JDA 60804B	Screw-self tapping	4		
	LJA 4390AA	Bulb and holder-instrument cluster-illumination	4		
	LJA 4390BA	Bulb and holder-instrument cluster-warning light	4		
	LJA 4390CA	Instrument pack casing-assembly-front	1		

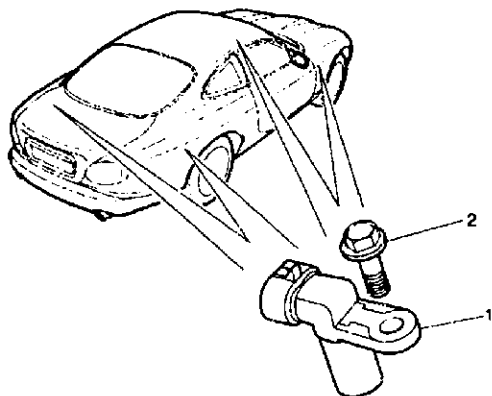


CHANGE POINTS:

- (1) To (V) 015386
- (2) From (V) 015387 To (V) 018107
- (3) From (V) U18108 To (V) 028025
- (4) From (V) 028026

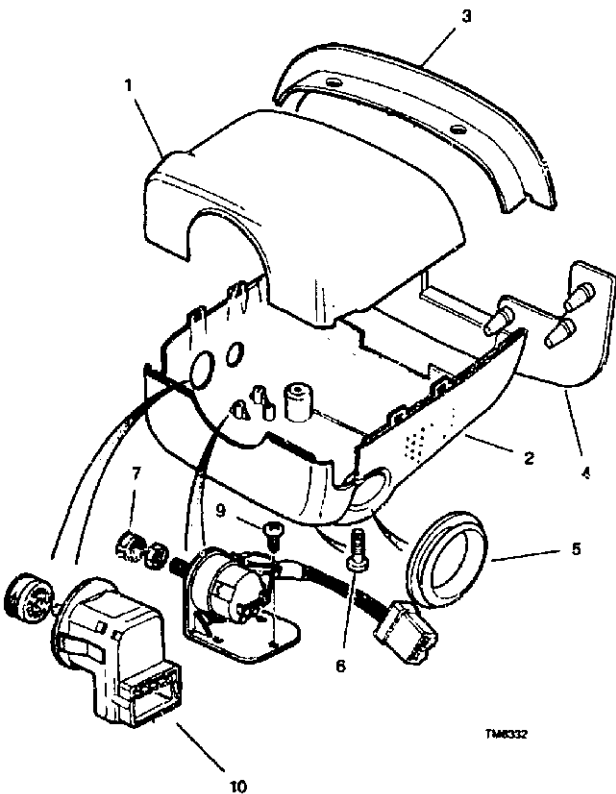
SPEED SENSOR

Qty	Part Number	Description	Quantity	Change Point	Remarks
1	LJA 2226AA	Wheel speed sensor	4		Speed control
2	FS 108161 M	Flange head screw	4		



TC6402

STEERING COLUMN SWITCH



TM8332

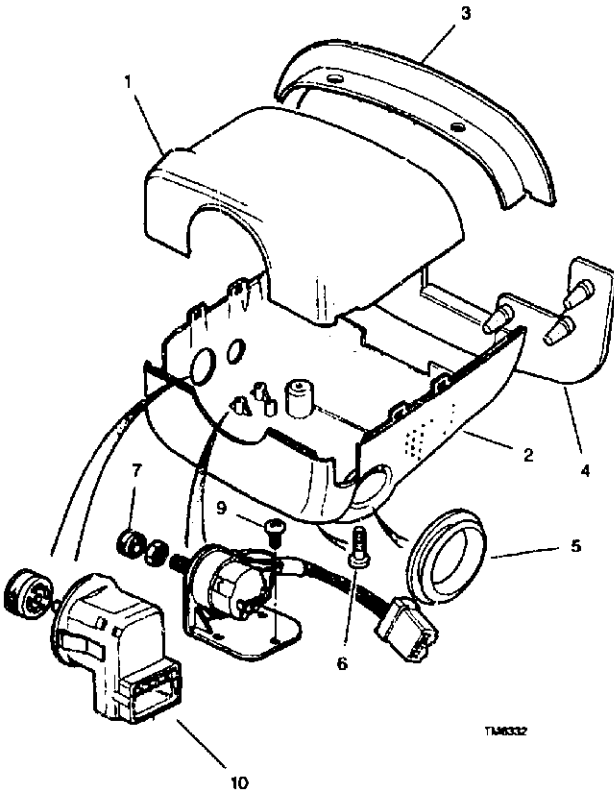
Qty	Part Number	Description	Quantity	Change Point	Remarks
1	HJA 9340BB AGE	Steering column cowl-upper-Antelope	1	}	(1)
1	HJA 9340BB LEG	Steering column cowl-upper-Warm charcoal	1		
1	HJA 9340BB AEK	Steering column cowl-upper-Sable	1		
1	HJA 9340BB HDV	Steering column cowl-upper-Dark teal	1		
1	HJA 9340BB SDC	Steering column cowl-upper-Coffee	1		
1	HJA 9340CA AGE	Steering column cowl-upper-Antelope	1	}	(2)
1	HJA 9340CA LEG	Steering column cowl-upper-Warm charcoal	1		
1	HJA 9340CA AEK	Steering column cowl-upper-Sable	1		
1	HJA 9340CA HDV	Steering column cowl-upper-Dark teal	1		
1	HJA 9340CA SDC	Steering column cowl-upper-Coffee	1		
2	HJA 9348AA AGE	Steering column cowl-electronic-lower -Antelope	1	}	(1)
2	HJA 9348AA LEG	Steering column cowl-electronic-lower -Warm charcoal	1		
2	HJA 9348AA AEK	Steering column cowl-electronic-lower -Sable	1		
2	HJA 9348AA HDV	Steering column cowl-electronic-lower -Dark teal	1		
2	HJA 9348AA SDC	Steering column cowl-electronic-lower -Coffee	1		
2	HJA 9348BA AGE	Steering column cowl-electronic-lower -Antelope	1	}	(2)
2	HJA 9348BA LEG	Steering column cowl-electronic-lower -Warm charcoal	1		
2	HJA 9348BA AEK	Steering column cowl-electronic-lower -Sable	1		
2	HJA 9348BA HDV	Steering column cowl-electronic-lower -Dark teal	1		
2	HJA 9348BA SDC	Steering column cowl-electronic-lower -Coffee	1		
2	HJA 9348AA AGE	Steering column cowl-manual-lower -Antelope	1	}	(1)
2	HJA 9348AA LEG	Steering column cowl-manual-lower -Warm charcoal	1		
2	HJA 9348AA AEK	Steering column cowl-manual-lower -Sable	1		
2	HJA 9348AA HDV	Steering column cowl-manual-lower -Dark teal	1		
2	HJA 9348AA SDC	Steering column cowl-manual-lower -Coffee	1		
2	HJA 9348BA AGE	Steering column cowl-manual-lower -Antelope	1	}	(2)
2	HJA 9348BA LEG	Steering column cowl-manual-lower -Warm charcoal	1		
2	HJA 9348BA AEK	Steering column cowl-manual-lower -Sable	1		
2	HJA 9348BA HDV	Steering column cowl-manual-lower -Dark teal	1		
2	HJA 9348BA SDC	Steering column cowl-manual-lower -Coffee	1		

CHANGE POINTS:

- (1) To (V) 014499
- (2) From (V) 014500

STEERING COLUMN SWITCH

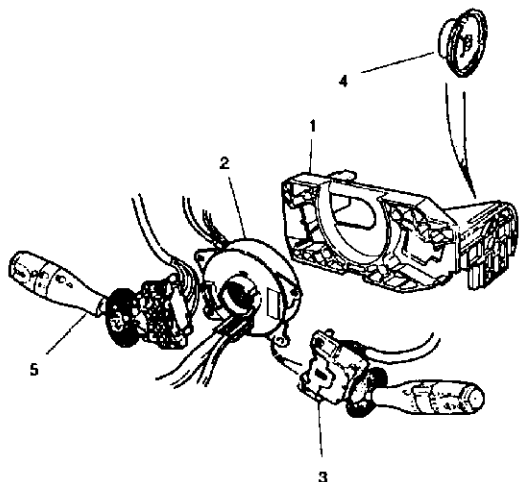
Illustration	Part Number	Description	Quantity	Change Point	Remarks
	3 HJA 8344AA	Steering column cowl finisher-rubber	1		
	4 HJA 8350AB	Column cowl finisher-lower	1		
	5 HJA 8341AA	Ignition ring escutcheon.....	1		
	6 SE 104121J	Screw.....	5		
	7 LNA 8482AA	Dimmer control knob.....	1		
	8 LNA 8485AA	Column adjust switch-electric adjust.....	1		
	9 JXH 10630C	Torx head screw.....	4		
	10 LJA 8500AB	Illumination control switch	1		



TJ6332

WIPER/WASHER/DIRECTION INDICATOR SWITCH

Qty	Part Number	Description	Quantity	Change Point	Remarks
1	LJA 6475CB	Switch mounting carrier	1		
2	LJA 6470BA	Cancellation/cassette module	1	(1)	
2	LJA 6470BB	Cancellation/cassette module	1	(2)	
3	LJA 6480BC	Wash/wipe switch	1		
4	LXF 2280AA	Audible warning speaker	1		
5	LJA 6455BC	Direction indicator switch	1	 Except auto headlamp
5	LJB 6455AA	Direction indicator switch	1	 Auto headlamp
6	JXH 10530C	Torr head screw	4		



TM6337

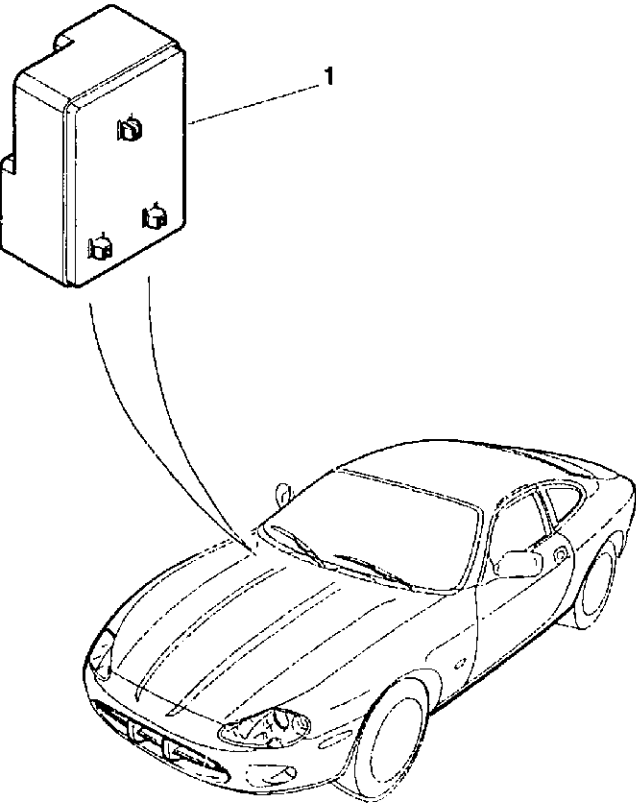
CHANGE POINTS:

(1) To (V) 018107

(2) From (V) 018108

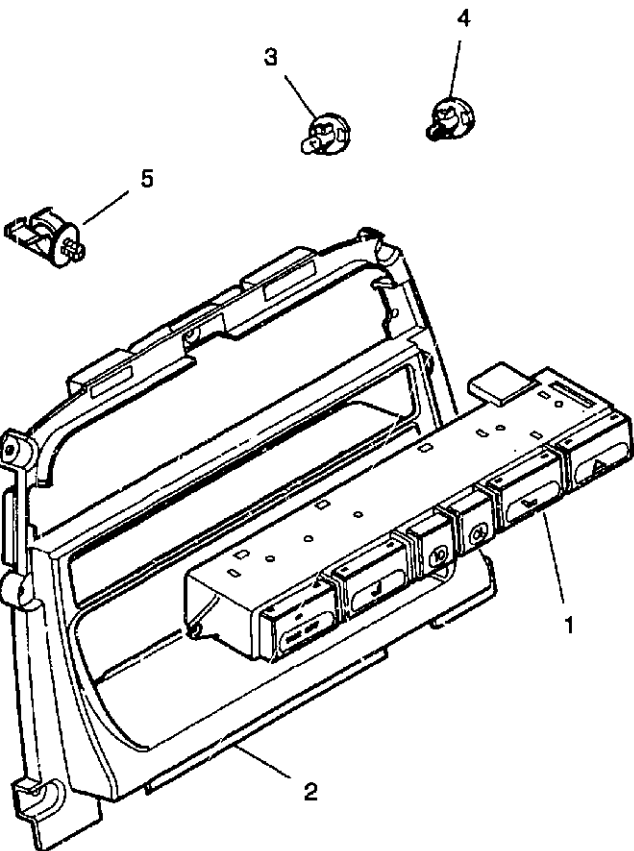
DIMMER MODULE

Illus	Part Number	Description	Quantity	Change Point	Remarks
1	LJA 6490AC	Illumination control module.....	1		



CONSOLE SWITCH PANEL ASSEMBLY

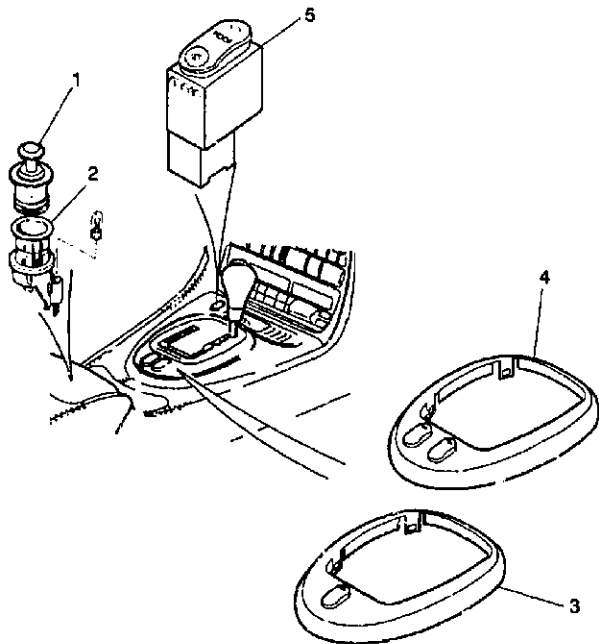
Illus	Part Number	Description	Quantity	Change Point	Remarks
	1 LJA 6292HC	Console switch module.....	1		Headlamp leveling; seat
	1 LJA 3292KC	Console switch module.....	1		heater; traction control
	1 LJA 6292NC	Console switch module.....	1		Headlamp leveling; traction control
	1 LJA 6292PC	Console switch module.....	1		Seat heater; traction control
	1 LJA 6292QC	Console switch module.....	1		Stability control
	2 LJA 631BAB	Console switch cover moulding	1	(1)	Traction control
	2 LJB 631BAA	Console switch cover moulding	1	(2)	
	3 LNA 5180BA	Bulb-clear.....	1		
	4 LNA 5180CA	Bulb-blue.....	1		
	5 KDF 108013	Pipe clip.....	2		



CHANGE POINTS:

- (1) To (V) 018107
- (2) From (V) 018108

Urus	Part Number	Description	Quantity	Change Point	Remarks
1	LJA 2730AA	Cigar-lighter element-front.....	1		
2	LJA 2720AA	Cigar-lighter housing.....	1		
3	LJA 6221CE	Gearbox mode switch bezel-assembly.....	1	 Non speed control
3	LJB 6221AA	Gearbox mode switch bezel-assembly.....	1	(1).....	Non speed control ;4.0 Litre supercharged
4	LJA 6221DE	GEARBOX MODE SWITCH BEZEL-ASSEMBLY.....	1	 Speed control
5	LJA 6226BA	* Hood switch.....	1		
4	LJB 6221BA	Gearbox mode switch bezel-assembly.....	1	(1).....	Speed control;4.0 Litre supercharged



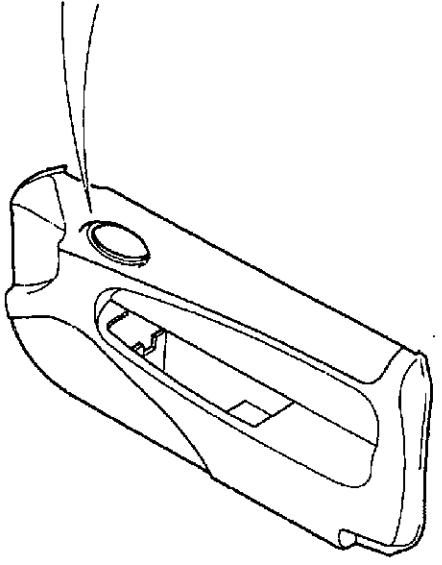
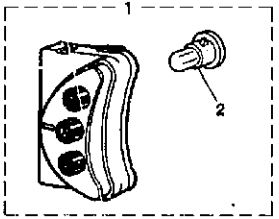
TM6563

CHANGE POINTS:

(1) From (V) 031303

MEMORY SWITCH

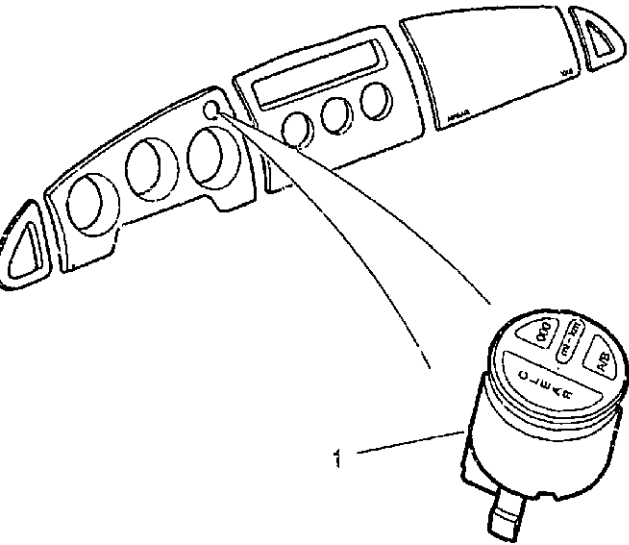
Illus	Part Number	Description	Quantity	Change Point	Remarks
1	LJA 6345AD	Seat switch-memory.....	1		
2	LJA 5180DA	Bulb-blue.....	1		



TN 8480

TRIP SWITCH

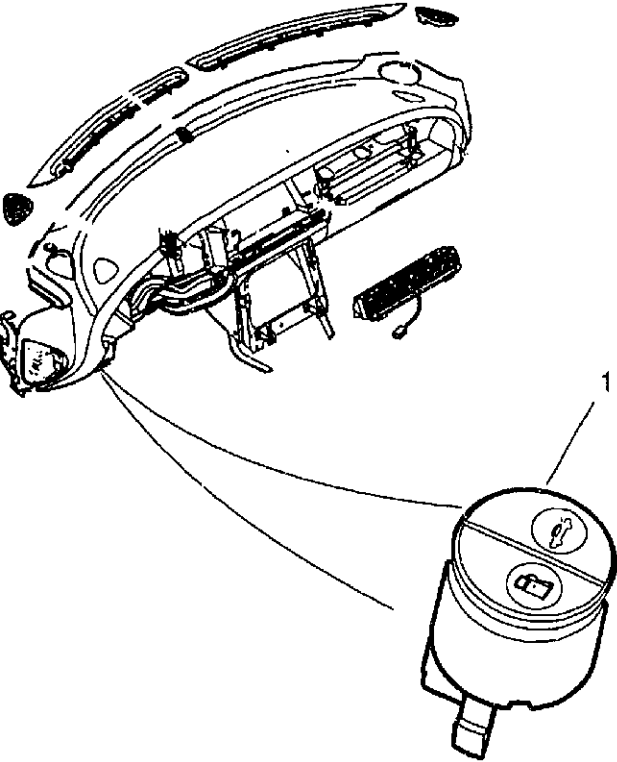
Illus	Part Number	Description	Quantity	Change Point	Remarks
1	LJA 8015AD	Trip computer toggle switch	1		



TR6252

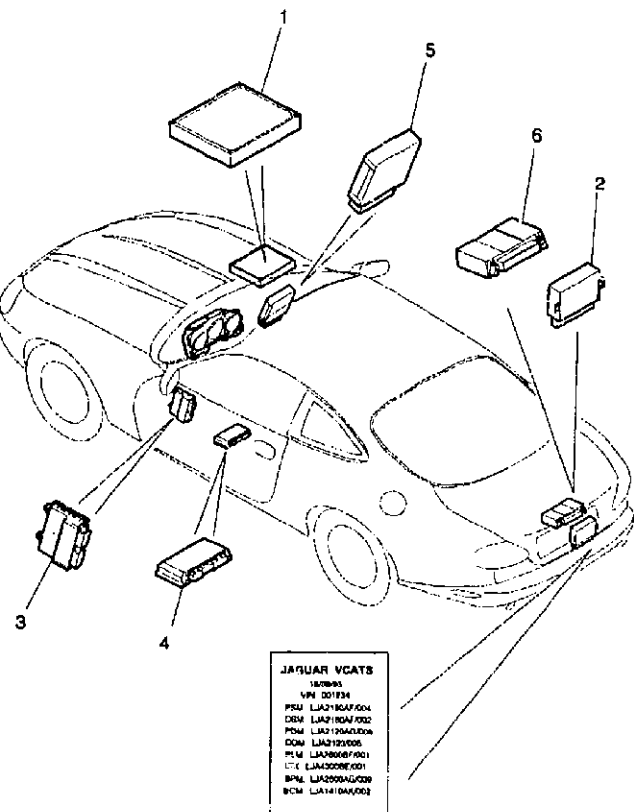
FUEL FILLER FLAP RELEASE SWITCH

Illus	Part Number	Description	Quantity	Change Point	Remarks
1	LJA 6255AB	Fuel flap/trunk release switch	1		



CONTROL MODULES-PROGRAMMEABLE

Illus	Part Number	Description	Quantity	Change Point	Remarks
	1 LJA 1410AK	Engine control module-blank unit-unprogrammed.....	1	(1).....] Note (1)
	1 LJA 1410AN	Engine control module-blank unit-unprogrammed.....	1	(2).....	
	1 LJA 1410CA	Engine control module-blank unit-unprogrammed.....	1	(3).....	
	1 LNC 1410AC	Engine control module-blank unit-unprogrammed.....	1	(4).....	
	1 LNC 1410AF	Engine control module-blank unit-unprogrammed.....	1	(5).....	
	1 LNC 1410BB	Engine control module-blank unit-unprogrammed.....	1	(6).....] Note (1);Except Mexico
	1 LNC 1410FA	Engine control module.....	1	(7).....	
	1 LNC 1410AD	Engine control module-blank unit-unprogrammed.....	1	(8).....] Note (1);4.0 Litre supercharged
	1 LNC 1410CA	Engine control module-blank unit-unprogrammed.....	1	(8).....	
	2 LJA 1970AB	Adaptive damping module-blank unit-unprogrammed.....	1	(9).....] Note (1)
	3 LJA 2120AG	Door module-blank unit.....	2	(9).....	
	3 LJA 2120AH	Door module-blank unit-unprogrammed.....	2	(10).....	
	4 LJA 2160AE	Seat control module-blank unit.....	2	(11).....] Note (1)
	4 LJA 2160AF	Seat control module-blank unit.....	2	(12).....	
	4 LJA 2160AG	Seat control module-blank unit.....	2	(10).....	



JAGUAR VCATS
 10/98/95
 10/ 2013/4
 PSU LJA2160AF/004
 DSM LJA2160AF/002
 PSM LJA2160AF/006
 DSM LJA2160AF/005
 PSM LJA2160AF/001
 LJA LJA2000E/001
 BPL LJA2000A/009
 BCM LJA2160AF/001

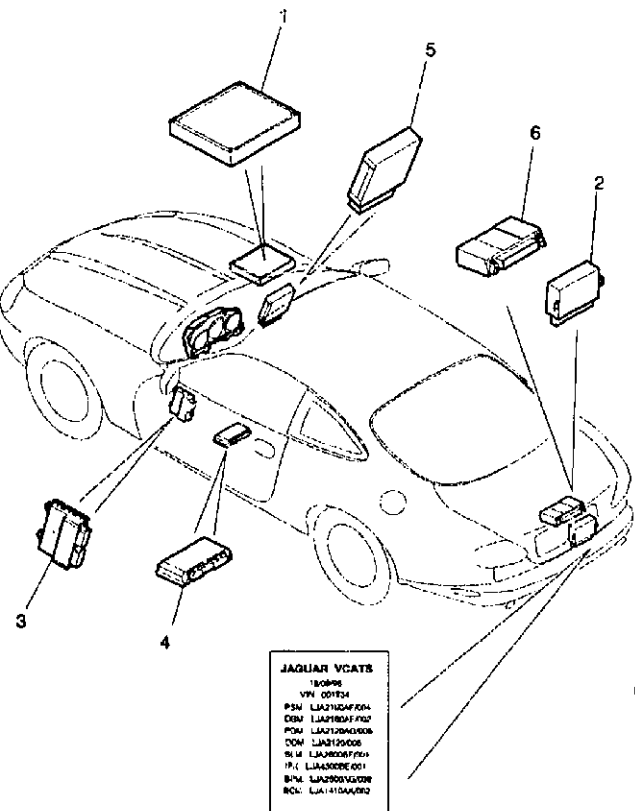
TM6207

- CHANGE POINTS:
- (1) To (V) 008566
 - (2) From (V) 008587 To (V) 011428
 - (3) From (V) 011427 To (V) 018107
 - (4) From (V) 018108 To (V) 019357
 - (5) From (V) 019358 To (V) 020733
 - (6) From (V) 020734
 - (7) From (V) 019348
 - (8) From (V) 031303
 - (9) To (V) 022063
 - (10) From (V) 022064
 - (11) To (V) 003299
 - (12) From (V) 003300 To (V) 022063

Remarks:
 (1) USE THE PORTABLE DIAGNOSTIC UNIT TO DETERMINE PART NUMBER SUFFIX

CONTROL MODULES-PROGRAMMEABLE

Illus	Part Number	Description	Quantity	Change Point	Remarks
5	LJA 2500AE	Body processor module-blank unit	1	(1).....] Note (1)
5	LJA 2500AH	Body processor module-blank unit-service requirement.....	1	(2).....	
5	LJB 2500AC	Body processor module-blank unit-unprogrammed	1	(3).....	
5	LJB 2500AD	Body processor module-blank unit-unprogrammed	1	(4).....	
5	LJB 2500AE	Body processor module-blank unit-unprogrammed	1	(5).....	
6	LJA 2600AF	Security/locking module-315mhz-blank unit	1	(6).....] Note (1)
6	LJB 2600AB	Security/locking module-315mhz-blank unit	1	(7).....	
	NSP	Label.....	1] Note (2)



TM6207

CHANGE POINTS:

- (1) To (V) 003697
- (2) From (V) 003698 To (V) 018107
- (3) From (V) 018108 To (V) 024686
- (4) From (V) 024687 To (V) 030523
- (5) From (V) 030524
- (6) To (V) 018107
- (7) From (V) 018108

Remarks:

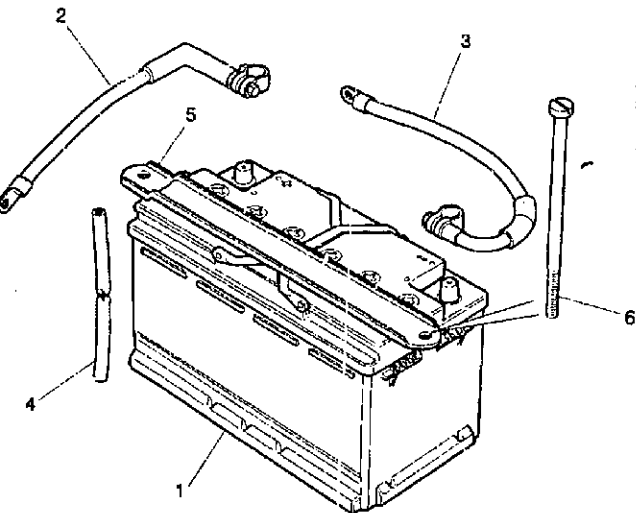
- (1) USE THE PORTABLE DIAGNOSTIC UNIT TO DETERMINE PART NUMBER SUFFIX
- (2) SEE INTRODUCTION PAGE - "CONTROL MODULE LOCATIONS"

MASTER INDEX
ENGINE..... 1 D
ENGINE MANAGEMENT/EMISSION SYSTEMS..... 1 F
AIR AND FUEL DELIVERY SYSTEMS 1 G
ENGINE COOLING SYSTEM..... 1 H
EXHAUST SYSTEM AND COMPONENTS 1 I
TRANSMISSION AND DRIVELINE 1 J
STEERING AND SUSPENSION..... 1 K
BRAKING SYSTEM 1 M
AIR CONDITIONING/HEATING/VENTILATION..... 1 N
WIPER AND WASHER SYSTEMS..... 1 O
ELECTRICAL DISTRIBUTION SYSTEM..... 2 C
INFORMATION SYSTEMS AND CONTROLS..... 2 E
BATTERY/STARTER MOTOR/ALTERNATOR..... 2 F
IN CAR ENTERTAINMENT 2 G
LIGHTING - EXTERIOR/INTERIOR 2 H
LOCKING/SECURITY SYSTEMS/HORNS..... 2 I
SEATING..... 2 J
OCCUPANT RESTRAINTS 2 L
INTERIOR TRIM AND LININGS 2 M
EXTERIOR FITTINGS AND SUNROOF..... 3 C
BODY CLOSURES AND SEALING 3 D
BODY METAL PANELS AND SEALING..... 3 G
ACCESSORIES/CONSUMABLES/INDEX 3 H

GROUP INDEX
ALTERNATOR AND CONTROL UNIT..... 2. F 04
BATTERY AND FIXINGS..... 2. F 02
STARTER MOTOR 2. F 03

ALTERNATOR ASSEMBLY 2. F 04
ALTERNATOR COOLING DUCTS..... 2. F 07
ALTERNATOR MOUNTING 2. F 05
ALTERNATOR SUPPRESSOR MODULE 2. F 06
BATTERY AND FIXINGS 2. F 02
STARTER MOTOR..... 2. F 03

Illus	Part Number	Description	Quantity	Change Point	Remarks
1	LNA 1250AB	Battery-wet-92 amp/hr.....	NLA	}	(1)..... Use LRA1250AA.
1	LNA 1250AB 1	Battery-dry-92 amp/hr.....	NLA	 Use LRA1250AA1.
1	LRA 1250AA	Battery-wet-92 amp/hr.....	1	}	(2)
1	LRA 1250AA 1	Battery-dry-92 amp/hr.....	1		
2	LJA 3690A/B	Positive battery cable.....	1	(3)	
2	LNC 3690A/A DBC 12286	Positive battery cable..... Terminal post cover-positive.....	1 1	(4)	
3	LJA 3695AA	Negative battery cable.....	1	(3)	
3	LNC 3695AA	Negative battery cable.....	1	(5)	
3	LNC 3695AC	Negative battery cable.....	1	(6)	
4	DAC 7/75 3	Battery vent tube.....	1		
5	GNB 3542AB	Battery clamp.....	1		
6	GNB 3544AB	Clamp bolt-torx head.....	2	(7)	
	GNB 3544AC	Battery clamp bolt.....	2	(8)	
	LHE 1270AA	Supplementary battery label.....	1		

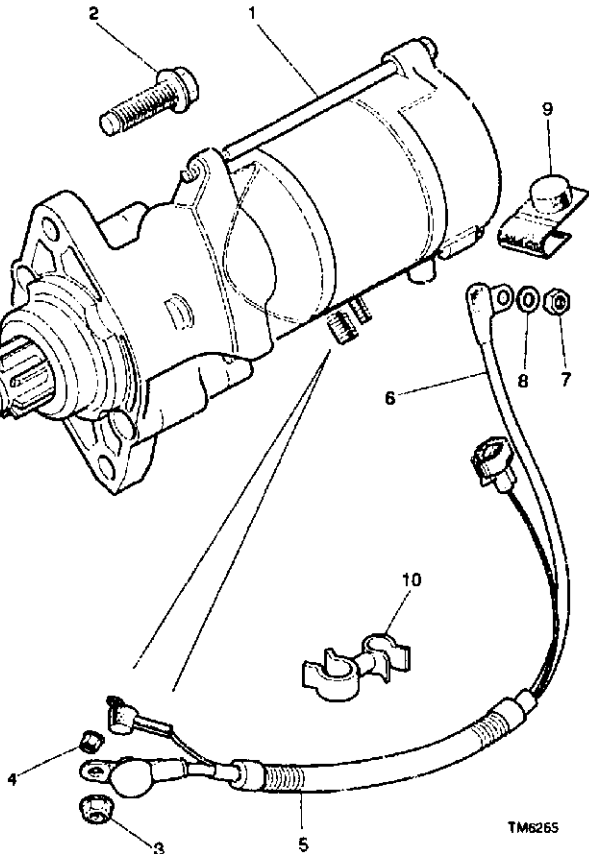


CHANGE POINTS:

TM6236

- (1) To (V) 020347
- (2) From (V) 020348
- (3) To (V) 007149
- (4) From (V) 007150
- (5) From (V) 007150 To (V) 015752
- (6) From (V) 015753
- (7) To (V) 013377
- (8) From (V) 013378

Bus	Part Number	Description	Quantity	Change Point	Remarks
	1 LCA 1850AB	Starter motor.....	1		
	2 JZS 100080	Flange head screw-M10 x 30mm.....	2		
	3 LJB 1053AA	Captive nut-M8.....	1		
	4 JLM 11988	Nyloc nut.....	1		
	5 LJA 3730BC	STARTER CABLE.....	1	(1)	
	LJA 1380BA	• Protective boot-terminal post.....	1		
	6 LNC 3714AA	• Cable protection cover.....	1		
	5 LJB 3730AA	Starter cable.....	1	(2)	
	7 JZN 100048	Hexagonal nut-brass finish.....	1		
	8 C 22987	Washer.....	1		
	9 DBC 12311	Terminal boot.....	1		
	10 KDP 208120	Swivel pipe clip.....	1		



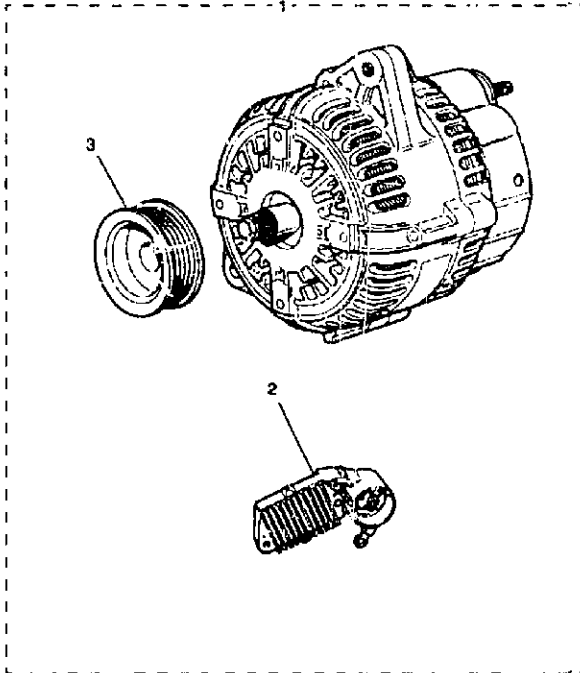
CHANGE POINTS:

(1) To (V) 024154

(2) From (V) 024155

ALTERNATOR ASSEMBLY

Misc	Part Number	Description	Quantity	Change Point	Remarks
1	LJA 1800AD	Alternator	1	(1)	
1	LJA 1800AE	Alternator	1	(2)	
1	LNC 1800AA	Alternator	1	(3)	
2	JLM 20187	Alternator regulator	1		
3	JLM 20235	Fan pulley-alternator	1		



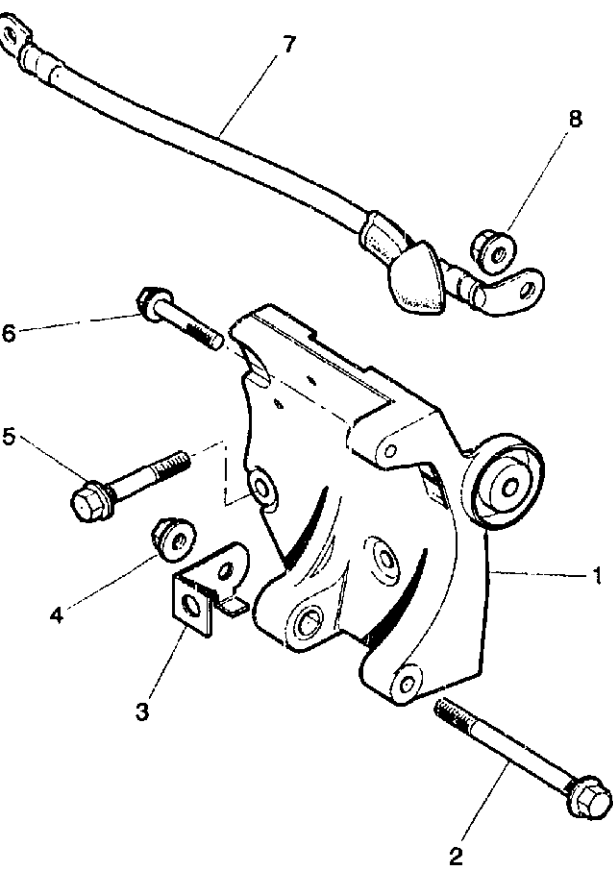
TP6147

CHANGE POINTS:

- (1) To (V) 004000
- (2) From (V) 004001 To (V) 018107
- (3) From (V) 018108

ALTERNATOR MOUNTING

Qty	Part Number	Description	Quantity	Change Point	Remarks
1	NCA 8302AA	Alternator mounting bracket-assembly	1		
2	JFB 11020B	Flange head bolt	1		
3	LJA 33E0NA	Connector bracket.....	1		
4	JFN 11004B	Flanged nut -M10.....	1		
5	JFB 11009B	Flange head bolt.....	4		
6	JFB 10808B	Hexagonal head flanged bolt	1	(1)	
6	JFB 10808E	Hexagonal head flanged bolt.....	1	(2)	
7	LJA 3732AB	Cable-starter motor to alternator	1	(3)	
7	LNC 3732AB	Cable-starter motor to alternator	1	(4)	
7	LJB 3732AA	Cable-starter motor to alternator	1	(5)	
8	FX 108041 J	Flanged nut -M8.....	1		
	NV 105041 J	Self locking nut	1		

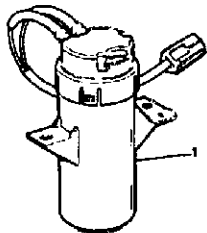
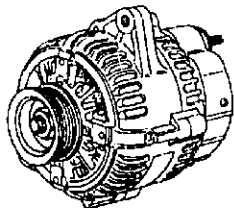


CHANGE POINTS:
 (1) To (V) 031302
 (2) From (V) 031303
 (3) To (V) 018107
 (4) From (V) 018108 To (V) 024154
 (5) From (V) 024155

TP6257

ALTERNATOR SUPPRESSOR MODULE

Qty	Part Number	Description	Quantity	Change Point	Remarks
1	LJA 1820AA	Alternator suppression module.....	1		
	LJA 3743AB	Alternator link load-suppression module	1	(1)	
	LJB 3743AB	Alternator link load-suppression module	1	(2).....	4.0 Litre supercharged;premium in car entertainment
	JXA 10825E	Pan head torx screw	1		
	NV 105041 J	Self locking nut	1		
	LJA 3890NA	Connector bracket.....	1		
	LJB 1825AB	Suppression module bracket	1] (2).....] 4.0 Litre supercharged;premium in car entertainment
	KZW 100014	Retention washer-M6.....	1		



TP6082

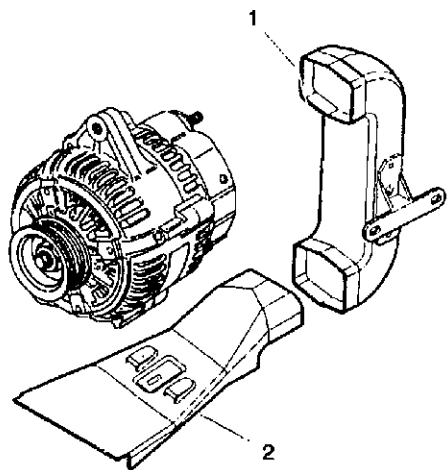
CHANGE POINTS:

(1) To (V) 031302

(2) From (V) 031303

ALTERNATOR COOLING DUCTS

Qty	Part Number	Description	Quantity	Change Point	Remarks
1	LJA 1810BA	Alternator cooling duct.....	1	(1)	
1	LJA 1810CA	Alternator cooling duct.....	1	(2)	
1	LJB 1810AA	Alternator cooling duct.....	1	(3)	
2	HJA 4477AC	Alternator cooling duct.....	1		
	JFS 10816F	Flange head screw-M6 x 18.7mm	2		
	JFS 10516F	Flanged head screw	1		



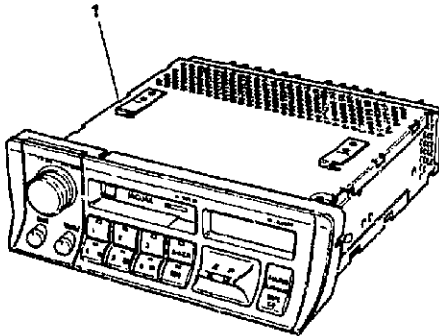
TP8093

CHANGE POINTS:

- (1) To (V) 018107
- (2) From (V) 018108 To (V) 028950
- (3) From (V) 028951

RADIO/CASSETTE PLAYER

Illus	Part Number	Description	Quantity	Change Point	Remarks
1	LJA 4100BA	Radio/cassette player	1	(1)	
1	LJB 4100BA	Radio/cassette player	1	(2)	



T06144

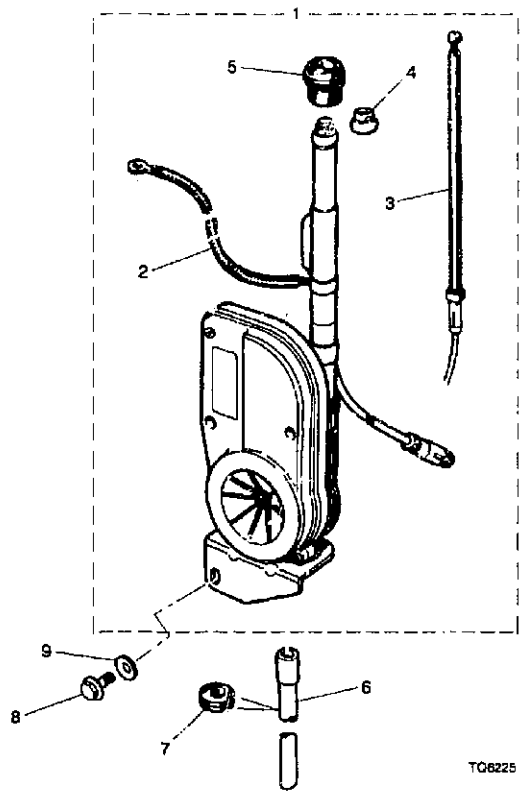
CHANGE POINTS:

(1) To (V) 018107

(2) From (V) 018108

ELECTRIC AERIAL

Illus	Part Number	Description	Quantity	Change Point	Remarks
1	LJA 4120AB	ELECTRIC AERIAL.....	1		
2	LJA 4135AB	• Earth braid.....	1		
3	LNA 4134AA	Aerial mast.....	1		
4	LNA 4138AA	Aerial ball nut.....	1		
5	LJA 4131AA	Aerial sealing grommet.....	1		
6	LJA 4133AB	Aerial drain tube.....	1		
7	C 8018	Drain hose grommet.....	1		
8	JZS 100044	Flange screw-M6.....	1		
9	WF 106001 J	Shakeproof washer-M6.....	1		
	UKC 6683J	Tie strap-15.75".....	1		
	LMD 4137AA	Aerial cleaner.....	1		
	LJA 4130AB	Aerial coax cable.....	1	(1).....] Coupe
	LJB 4130AA	Aerial coax cable.....	1	(2).....	
	LJA 4130BA	Aerial coax cable.....	1	(1).....] Convertible 2+2
	LJB 4130BA	Aerial coax cable.....	1	(2).....	

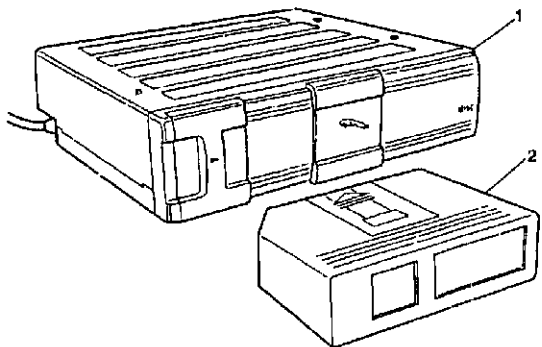


TC6225

CHANGE POINTS:
(1) To (V) 018107
(2) From (V) 01810C

COMPACT DISC AUTOCHANGER/PLAYER AUDIO EQUIPMENT

Qty	Part Number	Description	Quantity	Change Point	Remarks
1	LXF 4160CA	COMPACT DISC AUTOCHANGER-WITH MAGAZINE.....	1		
1	LXF 4180BA	• Compact disc autochanger-without magazine.....	1		
2	LXF 4181AA	• Compact disc autochanger magazine-8 disc.....	1		
1	LNC 4180AA	COMPACT DISC AUTOCHANGER-WITH MAGAZINE.....	1	(2)	
2	LXF 4181AA	• Compact disc autochanger magazine-8 disc.....	1		
	SE 104084 J	Pan head screw-M4.....	4		
	WF 703080 J	Shakeproof washer.....	4		
	HJA 8223BB	Amplifier mounting bracket-compact disc autochanger.....	1		
	JJK 105011	Captive nut.....	2		
	FS 105121 J	Flanged head screw-M5.....	4		
	LJA 4182AA	Compact disc player link lead.....	1	(1)	
	LJB 4182AA	Compact disc player link lead.....	1	(2)	Coupe
	LJB 4182BA	Compact disc player link lead.....	1		Convertible 2+2



326635

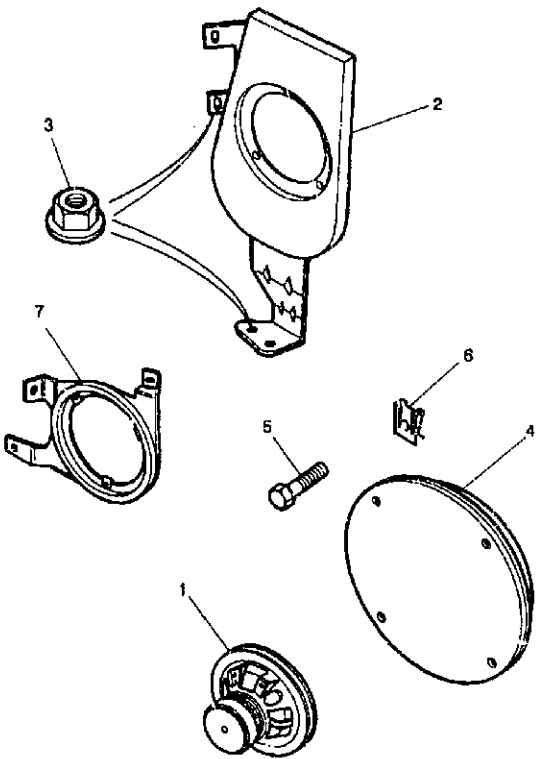
CHANGE POINTS:

(1) To (V) 018107

(2) From (V) 018108

LOUDSPEAKER-BASE SYSTEM

Qty	Part Number	Description	Quantity	Change Point	Remarks
1	LJA 4141AA	Multi loudspeaker.....	4		
2	LJA 4150BA	Loudspeaker bracket-RH.....	1] (1).....]	Convertible 2+2
2	LJA 4151BA	Loudspeaker bracket-LH.....	1		
2	LJB 4150CA	Loudspeaker bracket-RH.....	1] (2).....]	Convertible 2+2; except premium in car entertainment
2	LJB 4151CA	Loudspeaker bracket-LH.....	1		
2	LJB 4150AA	Loudspeaker bracket-RH.....	1] (3).....]	Convertible 2+2; 4.0 Litre supercharged; except premium in car entertainment
2	LJB 4151AA	Loudspeaker bracket-LH.....	1		
3	JXR 10630F	Flange head screw.....	4	(4)	
	JZH 100040	Screw/washer -M6.....	2	(5)	
	JZH 100069	Screw/washer.....	4	(2).....	Convertible 2+2; except premium in car entertainment
4	LJA 4158AA	Blanking panel-rear quarter.....	1		Coupe
5	JFB 10505B	Hexagonal head flanged bolt.....	4		
6	JJK 105011	Captive nut.....	4		
7	LJA 4150CA	Loudspeaker bracket-RH rear quarter.....	1		Coupe
7	LJA 4151CA	Loudspeaker bracket-LH rear quarter.....	1		



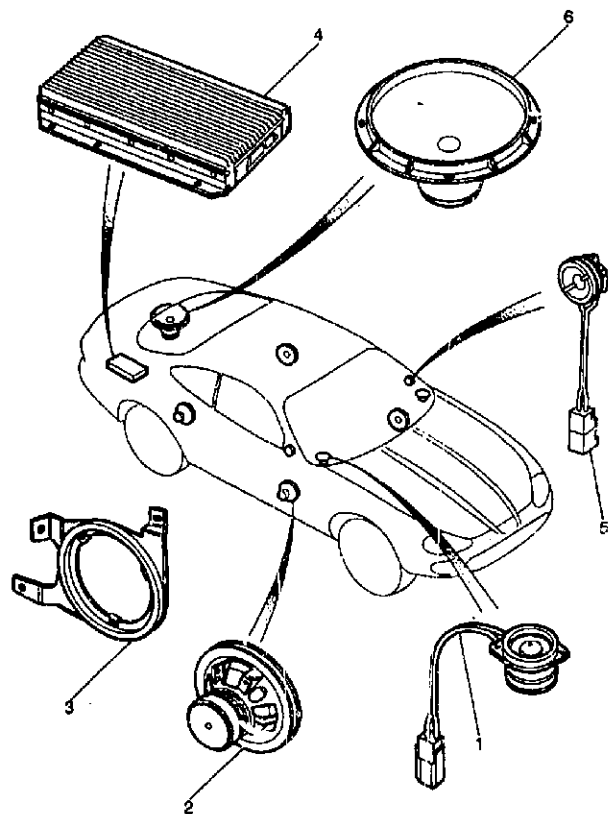
T06614

CHANGE POINTS:

- (1) To (V) 024686
- (2) From (V) 024687
- (3) From (V) 031303
- (4) To (V) 020416
- (5) From (V) 020417

LOUDSPEAKER-PREMIUM SYSTEM-COUPÉ

Illus	Part Number	Description	Quantity	Change Point	Remarks
1	LJA 4140AA	Single cone loudspeaker-2.5" diameter-front.....	2		
2	LJA 4140BA	Single cone loudspeaker-8" diameter.....	4		
3	LJA 4150CA	Loudspeaker bracket-RH rear quarter.....	1		
3	LJA 4151CA	Loudspeaker bracket-LH rear quarter.....	1		
4	LJA 4170AA	Audio power amplifier.....	1	(1)	
4	LJB 4170AA	Audio power amplifier.....	1	(2)	
5	LJA 4145AB	Loudspeaker-tweeter.....	2		
6	LJA 4144BA	Sub woofer loudspeaker-8" diameter.....	1		
	JPT 13510B	Thread forming screw.....	4		
	JJK 105011	Captive nut.....	4		
	FS 105121 J	Flanged head screw-M5.....	4		
	.IFB 10505B	Hexagonal head flanged bolt.....	4		



TO 6575

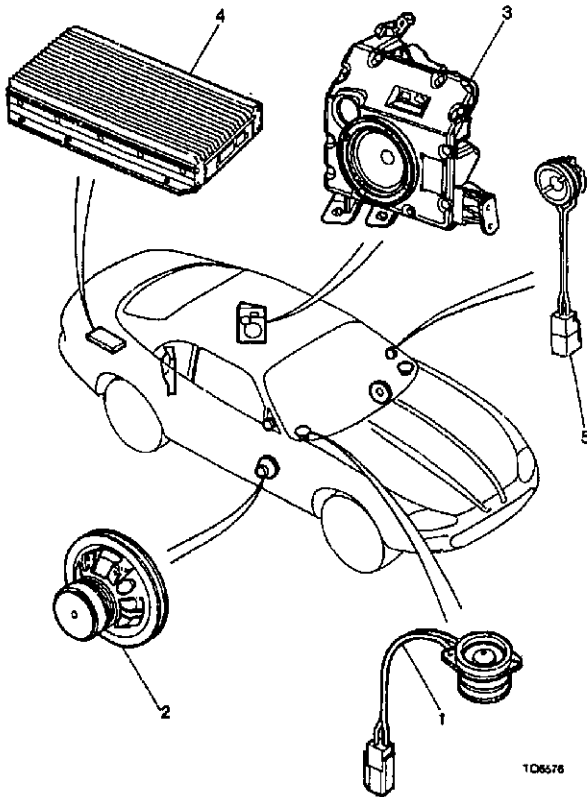
CHANGE POINTS:

(1) To (V) 018107

(2) From (V) 018108

LOUDSPEAKER-PREMIUM SYSTEM-CONVERTIBLE

Illus	Part Number	Description	Quantity	Change Point	Remarks
	1 LJA 4140AA	Single cone loudspeaker-2.5" diameter-front.....	2		
	2 LJA 4140BA	Single cone loudspeaker-6" diameter.....	2		
	3 LJA 4150DB	Loudspeaker-assembly-RH rear.....	1	(1)	
	3 LJA 4151DB	Loudspeaker-assembly-LH rear.....	1		
	3 LJB 4150BA	Loudspeaker-assembly-RH rear.....	1	(2)	
	3 LJB 4151BA	Loudspeaker-assembly-LH rear.....	1		
	4 LJA 4170BA	Audio power amplifier.....	1	(3)	
	4 LJB 4170BA	Audio power amplifier.....	1	(4)	
	5 LJA 4145AB	Loudspeaker-tweeter.....	2		
	JPT 13510B	Thread forming screw.....	4		
	JJK 105011	Captive nut.....	4		
	FS 105121 J	Flanged head screw-M5.....	4		
	JZH 100032	Nut and washer-assembly.....	4		
	JSH 106187 PJ	Screw/washer-assembly.....	2	(5)	
	JZH 100040	Screw/washer -M6.....	2		
	JZH 100069	Screw/washer.....	4	(6)	



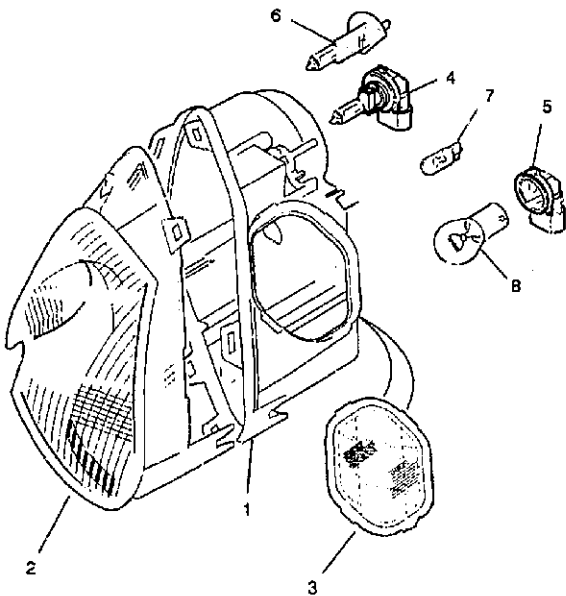
T06576

CHANGE POINTS:
 (1) To (V) 024686
 (2) From (V) 024887
 (3) To (V) 018107
 (4) From (V) 018108
 (5) To (V) 021007
 (6) From (V) 021008

MASTER INDEX	GROUP INDEX		
ENGINE..... 1 D			
ENGINE MANAGEMENT/EMISSION SYSTEMS..... 1 F	AUXILIARY EXTERIOR LIGHTS..... 2 H 07	BULB FAILURE MONITOR..... 2 H 12	
AIR AND FUEL DELIVERY SYSTEMS..... 1 G	BULBS..... 2 H 11	FOG LAMP-FRONT..... 2 H 07	
ENGINE COOLING SYSTEM..... 1 H	COURTESY AND INTERIOR LIGHTS..... 2 H 09	HEADLAMP ASSEMBLY-NON POWERWASH... 2 H 03	
EXHAUST SYSTEM AND COMPONENTS..... 1 I	HEADLAMPS..... 2 H 02	HEADLAMP ASSEMBLY-POWERWASH..... 2 H 02	
TRANSMISSION AND DRIVELINE..... 1 J	LIGHTING CONTROL MODULE..... 2 H 12	HIGH MOUNTED STOP LAMP..... 2 H 05	
STEERING AND SUSPENSION..... 1 K	REAR LIGHTS..... 2 H 05	INTERIOR LAMP..... 2 H 09	
BRAKING SYSTEM..... 1 M	SIDE MARKERS..... 2 H 04	LAMP CLUSTER-REAR..... 2 H 06	
AIR CONDITIONING/HEATING/VENTILATION..... 1 N		NUMBER PLATE LAMP ASSEMBLY..... 2 H 08	
WIPER AND WASHER SYSTEMS..... 1 O		REPLACEMENT BULB..... 2 H 11	
ELECTRICAL DISTRIBUTION SYSTEM..... 2 C		ROOF CONSOLE ELECTRICS..... 2 H 10	
INFORMATION SYSTEMS AND CONTROLS..... 2 E		SIDE MARKER AND REFLEX LAMP..... 2 H 04	
BATTERY/STARTER MOTOR/ALTERNATOR..... 2 F			
IN CAR ENTERTAINMENT..... 2 G			
LIGHTING - EXTERIOR/INTERIOR..... 2 H			
LOCKING/SECURITY SYSTEMS/HOPINS..... 2 I			
SEATING..... 2 J			
OCCUPANT RESTRAINTS..... 2 L			
INTERIOR TRIM AND LININGS..... 2 M			
EXTERIOR FITTINGS AND SUNROOF..... 3 C			
BODY CLOSURES AND SEALING..... 3 D			
BODY METAL PANELS AND SEALING..... 3 G			
ACCESSORIES/CONSUMABLES/INDEX..... 3 H			

HEADLAMP ASSEMBLY-POWERWASH

Illus	Part Number	Description	Quantity	Change Point	Remarks
1	LJA 4512AD	Headlamp-assembly-RH side	1	(1).....	Headlamp powerwash;except headlamp levelling
1	LJA 4512AF	Headlamp-assembly-RH side	1	(2).....	
1	LJA 4513AD	Headlamp-assembly-LH side.....	1	(1).....	
1	LJA 4513AF	Headlamp-assembly-LH side.....	1	(2).....	
2	LJA 4651BA	Headlamp lens-LH side	1	Headlamp powerwash
2	LJA 4650BA	Headlamp lens-RH side.....	1	
3	JLM 20281	Headlamp access cover	1		
4	DBC 11314	Headlamp bulb-85w-halogen-high beam.....	1		
5	JLM 20285	Bulb holder-direction indicator-headlamp	1		
6	DBC 11406	Headlamp bulb-high beam.....	1	Headlamp dim/dip
7	DBC 11381	Bulb-5w.....	1		
8	DBC 12265	Direction indicator lamp bulb-yellow	1		
	HJA 3354AA	Water deflector-RH headlamp	1		
	HJA 3355AA	Water deflector-LH headlamp	1		
	JZS 100002	Paint clearing screw-M8	4	(3)	
	JZS 100158	Paint clearing screw.....	4	(4)	
	LJA 4682AD	Headlamp mounting bracket -RH.....	1		
	LJA 4683AD	Headlamp mounting bracket -LH.....	1		
	JZS 100139	Flange head torx screw-M8	2		
	LJA 4660AE	Headlamp mounting bracket	2		
	AGU 2020	Torx head screw-M8	4		
	JZH 100058	Nut and washer -M8	2		



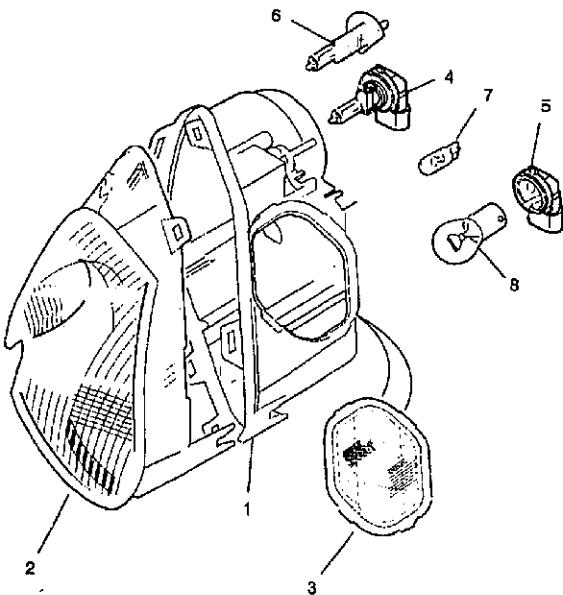
TM626G

CHANGE POINTS:

- (1) To (V) 016552
- (2) From (V) D16553
- (3) To (V) 008589
- (4) From (V) 008590

HEADLAMP ASSEMBLY-NON POWERWASH

Illus	Part Number	Description	Quantity	Change Point	Remarks
1	LJA 4510AF	Headlamp-assembly-RH side.....	1	(1).....] Except headlamp levelling and headlamp powerwash
1	LJA 4510AG	Headlamp-assembly-RH side.....	1	(2).....	
1	LJA 4511AF	Headlamp-assembly-LH side.....	1	(1).....] Except headlamp powerwash
1	LJA 4511AG	Headlamp-assembly-LH side.....	1	(2).....	
2	LJA 4650AA	Headlamp lens-RH side.....	1] Except headlamp powerwash
2	LJA 4651AA	Headlamp lens-LH side.....	1	
3	JLM 20281	Headlamp access cover.....	1		
6	DBC 11314	Headlamp bulb-65w-halogen-high beam.....	1		
7	JLM 20285	Bulb holder-direction indicator-headlamp.....	1		
8	DBC 11406	Headlamp bulb-high beam.....	1	Headlamp dim/dip
9	DBC 11314	Headlamp bulb-65w-halogen-high beam.....	1		
10	DBC 11381	Bulb-5w.....	1		
11	DBC 12265	Direction indicator lamp bulb-yellow.....	1		
	HJA 3354AA	Water deflector-RH headlamp.....	1		
	HJA 3355AA	Water deflector-LH headlamp.....	1		
	JZS 100002	Paint clearing screw-M6.....	4	(3)	
	JZS 100156	Paint clearing screw.....	4	(4)	
	LJA 4662AD	Headlamp mounting bracket -RH.....	1		
	LJA 4663AD	Headlamp mounting bracket -LH.....	1		
	JZS 100139	Flange head torx screw-M8.....	2		
	LJA 4660AE	Headlamp mounting bracket.....	2		
	AGU 2620	Torx head screw-M6.....	4		
	JZH 100058	Nut and washer -M8.....	2		



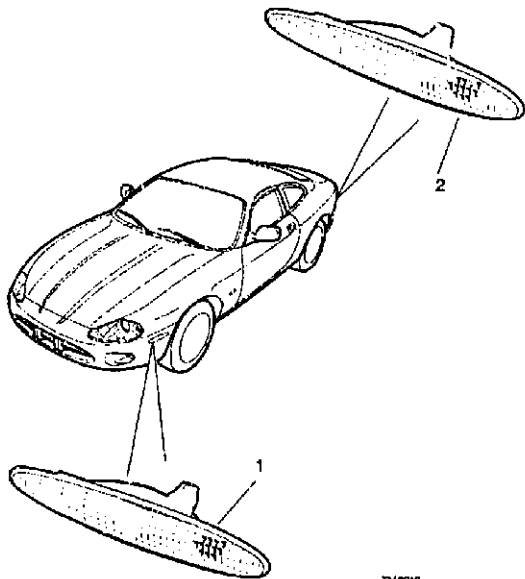
TM6269

CHANGE POINTS:

- (1) To (V) 016552
- (2) From (V) 016553
- (3) To (V) 008589
- (4) From (V) 008590

SIDE MARKER AND REFLEX LAMP

Illus	Part Number	Description	Quantity	Change Point	Remarks
1	LJA 5034AB	Side marker/reflex lamp-front-amber lens	2	(1)	
1	LJA 5034AC	Side marker/reflex lamp-front-amber lens	2	(2)	
2	LJA 5034BB	Side marker/reflex lamp-rear -red.....	2	(1)	
2	LJA 5034BC	Side marker/reflex lamp-rear -red.....	2	(2)	



TM8212

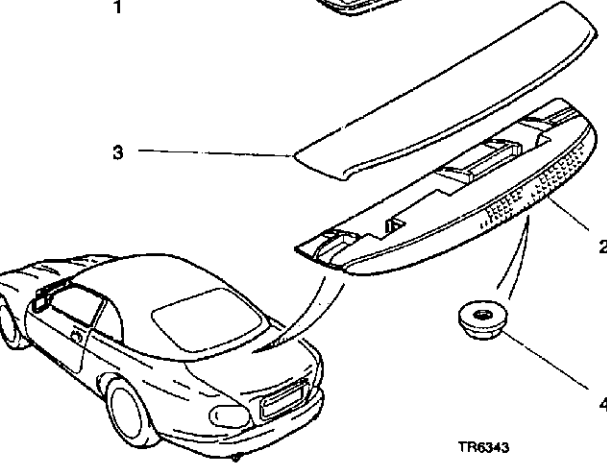
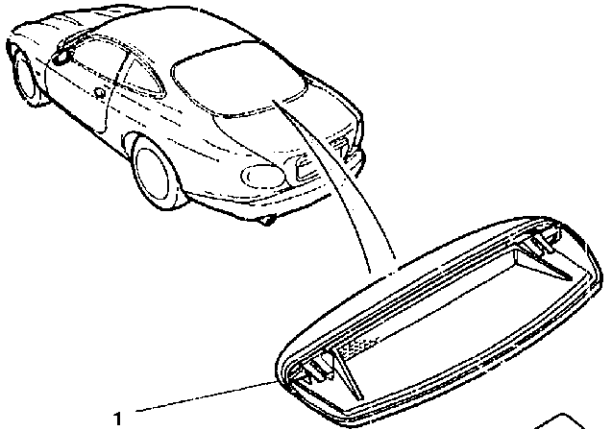
CHANGE POINTS:

(1) To (V) 008242

(2) From (V) 008243

HIGH MOUNTED STOP LAMP

Illus	Part Number	Description	Quantity	Change Point	Remarks
	1 LJA 5000AC LEG	High mounted stop lamp-internal-Warm charcoal	1	(1)	Coupe
	1 LJA 5000AC AGE	High mounted stop lamp-internal-Antelope	1		
	1 LJA 5000ACHDV	High mounted stop lamp-internal-Dark teal	1		
	1 LJA 5000ACSDC	High mounted stop lamp-internal-Coffee	1		
	1 LJA 5000ACAEK	High mounted stop lamp-internal-Sable	1		
	1 LJA 5000ACHDX	High mounted stop lamp-internal-Teal	1		
	1 LJB 5000AA LEG	High mounted stop lamp-internal-Warm charcoal	1	(2)	Coupe
	1 LJB 5000AA AGE	High mounted stop lamp-internal-Antelope	1		
	1 LJB 5000AA HDV	High mounted stop lamp-internal-Dark teal	1		
	1 LJB 5000AASDC	High mounted stop lamp-internal-Coffee	1		
	1 LJB 5000AAAEK	High mounted stop lamp-internal-Sable	1		
	1 LJB 5000AAAGD	High mounted stop lamp-internal-Oatmeal	1		
	1 LJB 5000AAHDX	High mounted stop lamp-internal-Teal	1		
	1 LJB 5000AANED	High mounted stop lamp-internal-Ivory	1		
	1 LJB 5000AASZ	High mounted stop lamp-internal-Cashmere	1		
	1 LJB 5000AB LEG	High mounted stop lamp-internal-Warm charcoal	1	(3)	Coupe
	1 LJB 5000AB AGE	High mounted stop lamp-internal-Antelope	1		
	1 LJB 5000ABSDC	High mounted stop lamp-internal-Coffee	1		
	1 LJB 5000ABAEK	High mounted stop lamp-internal-Sable	1		
	1 LJB 5000ABHDX	High mounted stop lamp-internal-Teal	1		
	2 LJA 5001AC	High mounted stop lamp-external	1	(1)	Convertible 2+2
	2 LJB 5001AB	High mounted stop lamp-external	1	(4)	
	2 LJB 5001AC	High mounted stop lamp-external	1	(5)	
	3 LJA 5003AA XXX	Lamp cover -primer painted-external	1	(6)	Convertible 2+2
	3 LJA 5003AB XXX	Lamp cover -primer painted-external	1	(5)	
	JLM 11988	Nyloc nut	1		
	4 FN 106041 J	Flange nut-M6	3		
	DAC 4811	Nut cover	2		

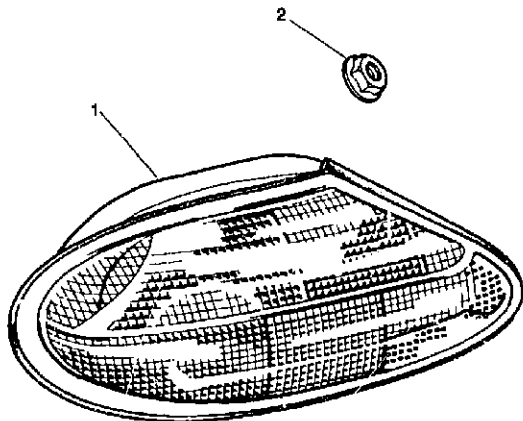


4 CHANGE POINTS:
 (1) To (V) 014328
 (2) From (V) 014329 To (V) 023462
 (3) From (V) 023463
 (4) From (V) 014329 To (V) 028039
 (5) From (V) 028040
 (6) To (V) 028039

TR6343

LAMP CLUSTER-REAR

#us	Part Number	Description	Quantity	Change Point	Remarks
1	LJA 4900BC	Lamp cluster-RH rear-with fog guard.....	1	(1)	
1	LJA 4900BD	Lamp cluster-RH rear-with fog guard.....	1	(2)	
1	LJA 4901BC	Lamp cluster-LH rear-with fog guard.....	1	(1)	
1	LJA 4901BD	Lamp cluster-LH rear-with fog guard.....	1	(2)	
2	FN 106041 J	Flange nut-M8.....	6		



TR6341

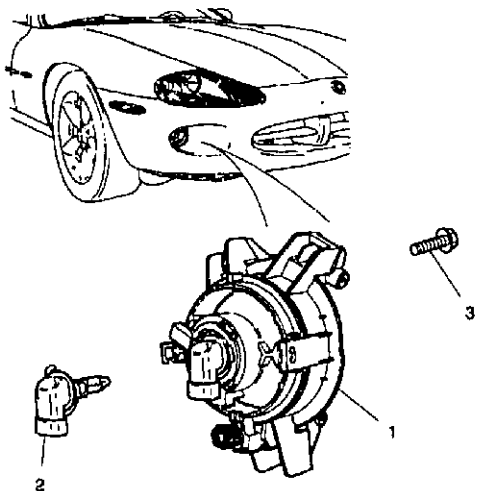
CHANGE POINTS:

(1) To (V) 018107

(2) From (V) 018108

FOG LAMP-FRONT

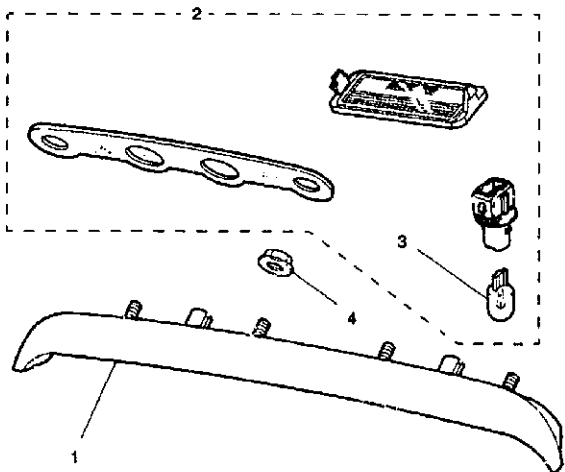
Qty	Part Number	Description	Quantity	Change Point	Remarks
1	LJA 5090AC	Styled fog lamp-RH front	1		
1	LJA 5091AC	Styled fog lamp-LH front	1		
2	DBC 1140B	Headlamp bulb-high beam	1	 Front fog lamps
3	JFS 10625F	Flange head screw	6		



TR8251

NUMBER PLATE LAMP ASSEMBLY

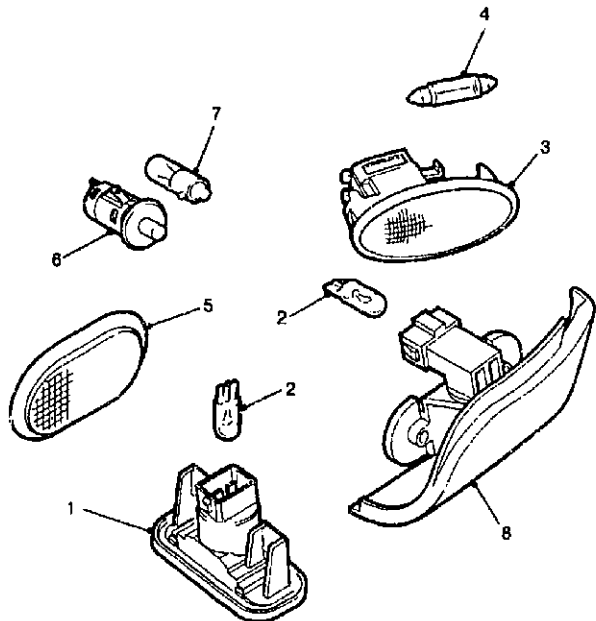
Illus	Part Number	Description	Quantity	Change Point	Remarks
1	JLM 20296	Finisher-primer painted-rear - number plate-lamp.....	1		
2	JLM 20267	KIT-REAR - NUMBER PLATE-LAMP.....	1		
3	DEC 11381	• Bulb-5w	2		
4	FN 106041 J	Flange nut-M6.....	4		



1R6340

INTERIOR LAMP

Illus	Part Number	Description	Quantity	Change Point	Remarks
1	LJA 5350BA	Footwell lamp.....	2		
2	DBC 11381	Bulb-Sw.....	2		
3	LJA 5380BA	Trunk lamp.....	2		
4	LNA 5180AA	Bulb-Sw.....	2		
5	LJA 5385AB	Lens-glovebox.....	1		
6	LJA 6150AA	Switch.....	1		
7	DBC 11380	Bayonet bulb-12v 4w.....	1		
8	LJA 5370AA	Puddle lamp-RH front door.....	1	(1)	
8	LJA 5370AB	Puddle lamp-RH front door.....	1	(2)	
8	LJA 5371AA	Puddle lamp-LH front door.....	1	(1)	
8	LJA 5371AB	Puddle lamp-LH front door.....	1	(2)	
2	DBC 11381	Bulb-Sw.....	2		
	JPT 10410B	Thread forming screw.....	4		
	JZW 100021	Washer.....	4		

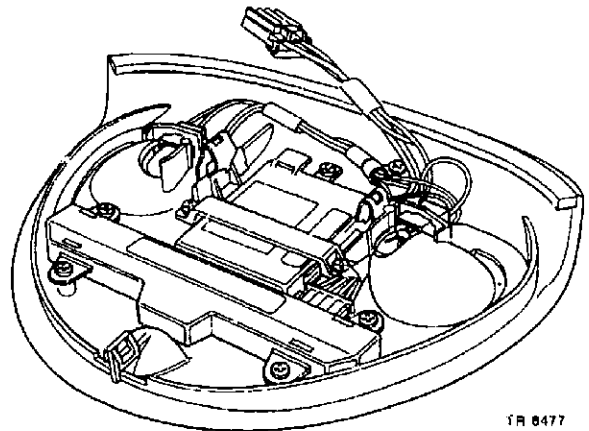
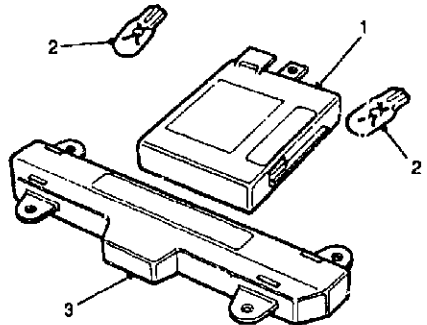


TR 6475

CHANGE POINTS:
(1) To (V) 018107
(2) From (V) 018108

ROOF CONSOLE ELECTRICS

Illus	Part Number	Description	Quantity	Change Point	Remarks
	1 LJA 2290AA	Garage door opener modul.....	NLA		Use LJA2290AB.
	1 LJA 2290AB	Garage door opener module.....	1	(1)	
	1 LJB 2290AA	Garage door opener module.....	1	(2)	
	2 DBC 12440	Bulb-6w.....	2		
	3 LJA 2295AA	Control module-interior light.....	1		
	3 LJA 2630BA	Control module-interior light-with glass break sensor.....	1		



FR 8477

CHANGE POINTS:
 (1) To (V) 031302
 (2) From (V) 031303

REPLACEMENT BULB

Illus Part Number

Description

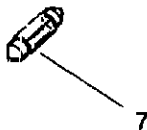
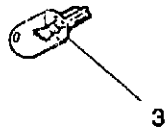
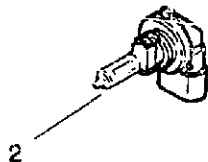
Quantity

Change
Point

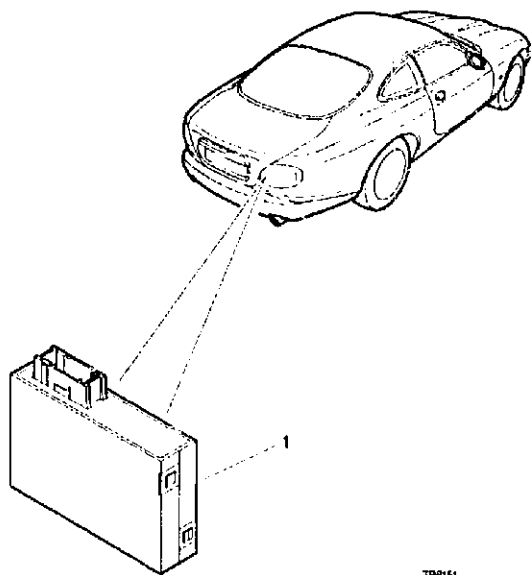
Remarks

- 1 DBC 12265
- 2 DBC 11314
- 3 DBC 12440
- 4 DBC 11361
- 5 DBC 11382
- 6 DBC 11711
- 7 LNA 5180AA
- 8 LNA 5180BA
- 9 LNA 5180CA

- Direction indicator lamp bulb-yellow 1
- Headlamp bulb-65w-halogen-high beam..... 1
- Bulb-6w..... 1
- Bulb-5w..... 1
- Bulb-21w..... 1
- Bulb-5w-bayonet..... 1
- Bulb-5w..... 1
- Bulb-5w..... 1
- Bulb-blue..... 1



Qty	Part Number	Description	Quantity	Change Point	Remarks
1	LJA 2245AD	Lamp control module-rear	1		

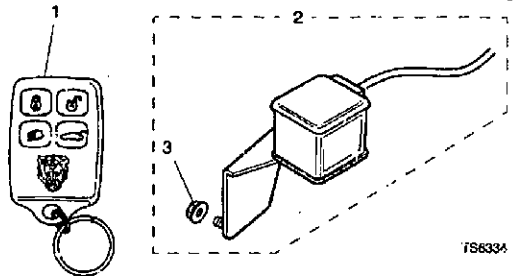
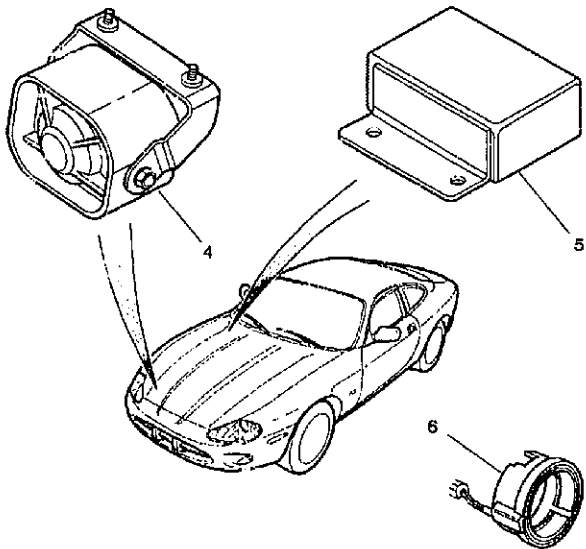


TR8151

MASTER INDEX	GROUP INDEX	
ENGINE 1 D		
ENGINE MANAGEMENT/EMISSION SYSTEMS 1 F	HORNS 2 04	HORNS 2 04
AIR AND FUEL DELIVERY SYSTEMS 1 G	VEHICLE SECURITY SYSTEMS 2 02	SECURITY SYSTEM 2 02
ENGINE COOLING SYSTEM 1 H		SECURITY/VALET SWITCH 2 03
EXHAUST SYSTEM AND COMPONENTS 1 I		
TRANSMISSION AND DRIVELINE 1 J		
STEERING AND SUSPENSION 1 K		
BRAKING SYSTEM 1 M		
AIR CONDITIONING/HEATING/VENTILATION 1 N		
WIPER AND WASHER SYSTEMS 1 O		
ELECTRICAL DISTRIBUTION SYSTEM 2 C		
INFORMATION SYSTEMS AND CONTROLS 2 E		
BATTERY/STARTER MOTOR/ALTERNATOR 2 F		
IN CAR ENTERTAINMENT 2 G		
LIGHTING - EXTERIOR/INTERIOR 2 H		
LOCKING/SECURITY SYSTEMS/HORNS 2 I		
SEATING 2 J		
OCCUPANT RESTRAINTS 2 L		
INTERIOR TRIM AND LININGS 2 M		
EXTERIOR FITTINGS AND SUNROOF 3 C		
BODY CLOSURES AND SEALING 3 D		
BODY METAL PANELS AND SEALING 3 G		
ACCESSORIES/CONSUMABLES/INDEX 3 H		

SECURITY SYSTEM

Qty	Part Number	Description	Quantity	Change Point	Remarks
1	LJA 2610AA	Key fob transmitter-315r. hz	1		
	JLM 11905	Battery	1		
2	JLM 20344	INCLINATION SENSOR KIT	1		
3	FN 106041 J	• Flange nut-M8	2		
4	LJA 26206B	Security soulder-passive	1	(1).....	Except key immobiliser system
4	LNC 2620BA	Security soulder-passive	1	(2).....	4.0 Litre supercharged;except key immobiliser system
4	LJA 2620AB	Security soulder-intelligent	1	(3).....	Key immobiliser system
4	LJB 2620AA	Security soulder-intelligent	1	(4).....	
4	LNC 2620AB	Security soulder-intelligent	1	(2).....	4.0 Litre supercharged;key immobiliser system
	NY 106041 J	Nyloc nut.....	2		
5	LJA 2665BB	Key transponder module-blank unit-unprogrammed.....	1	(3).....	Key immobiliser system
5	LNC 2665AA	Key transponder module-unprogrammed-remote locking.....	1	(5).....	Note (1)
6	LJA 2668AA	Key transponder coil	1		
	JXB 10416C	Flange head screw	2		



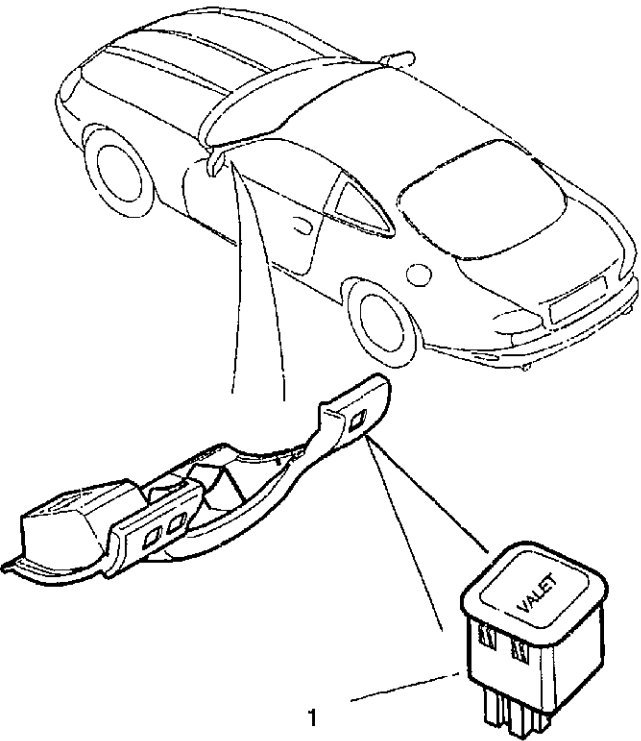
7S6334

CHANGE POINTS:
 (1) To (V) 031302
 (2) From (V) 031303
 (3) To (V) 018107
 (4) From (V) 018108 To (V) 031302
 (5) From (V) 018108

Remarks:
 (1) USE THE PORTABLE DIAGNOSTIC UNIT TO DETERMINE PART NUMBER SUFFIX

SECURITY/VALET SWITCH

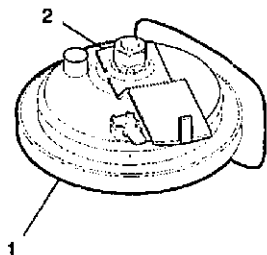
Illus	Part Number	Description	Quantity	Change Point	Remarks
	1 LJA 2650AA	Security/valet switch	1	(1)	
	1 LJA 2650AB	Security/valet switch	1	(2)	



TM6217

CHANGE POINTS:
 (1) To (V) 00114B
 (2) From (V) 001150

Illus	Part Number	Description	Quantity	Change Point	Remarks
1	LJA 4000AA	Horn.....	1	Low tone
1	LJA 4001AA	Horn.....	1	High tone
2	JFS 10625F	Flange head screw.....	2		

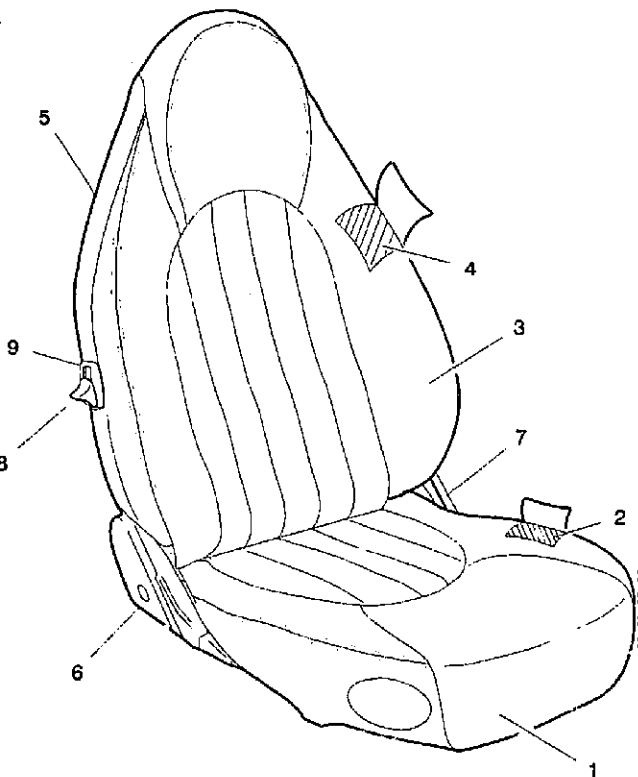


TM6172

MASTER INDEX	
ENGINE	1 D
ENGINE MANAGEMENT/EMISSION SYSTEMS	1 F
AIR AND FUEL DELIVERY SYSTEMS	1 G
ENGINE COOLING SYSTEM	1 H
EXHAUST SYSTEM AND COMPONENTS	1 I
TRANSMISSION AND DRIVELINE	1 J
STEERING AND SUSPENSION	1 K
BRAKING SYSTEM	1 M
AIR CONDITIONING/HEATING/VENTILATION	1 N
WIPER AND WASHER SYSTEMS	1 O
ELECTRICAL DISTRIBUTION SYSTEM	2 C
INFORMATION SYSTEMS AND CONTROLS	2 E
BATTERY/STARTER MOTOR/ALTERNATOR	2 F
IN CAR ENTERTAINMENT	2 G
LIGHTING - EXTERIOR/INTERIOR	2 H
LOCKING/SECURITY SYSTEMS/HORNS	2 I
SEATING	2 J
OCCUPANT RESTRAINTS	2 L
INTERIOR TRIM AND LININGS	2 M
EXTERIOR FITTINGS AND SUNROOF	3 C
BODY CLOSURES AND SEALING	3 D
BODY METAL PANELS AND SEALING	3 G
ACCESSORIES/CONSUMABLES/INDEX	3 H

GROUP INDEX	
FRONT SEATS, TRIM AND FITTINGS	2 J 02
MISCELLANEOUS ELECTRICAL	2 K 13
REAR SEATS, TRIM AND FITTINGS	2 J 1B
SEAT SLIDES AND ADJUSTERS	2 K 09
SEAT SWITCHES	2 K 11
DOOR SWITCH: IPACK	2 K 11
SEAT FRAME-FRONT	2 K 09
SEAT HEATER	2 K 13
SEAT SLIDE-FRONT	2 K 10
SEAT SWITCH	2 K 12
SEAT-FRONT-CLASSIC	2 J 02
SEAT-FRONT-SPORT	2 J 09
SEAT-REAR-CLASSIC-CONVERTIBLE	2 K 03
SEAT-REAR-CLASSIC-COUPE	2 J 13
SEAT-REAR-SPORT-CONVERTIBLE	2 K 07
SEAT-REAR-SPORT-COUPE	2 K 05

SEAT-FRONT-CLASSIC



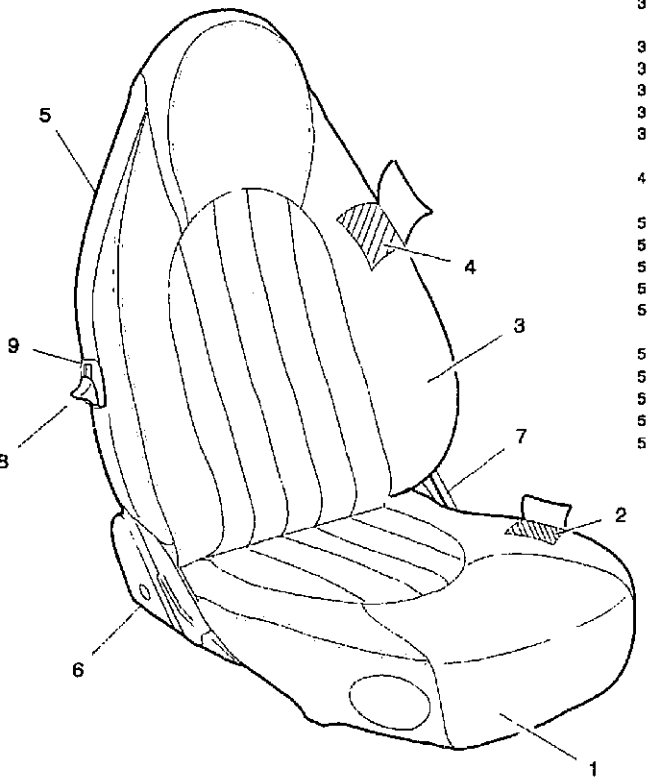
Illus	Part Number	Description	Quantity	Change Point	Remarks
1	GJA 4410BA HDX	Cushion cover-front seat-ambly/leather-Teal	2	}	(1)
1	GJA 4410BA LEG	Cushion cover-front seat-ambly/leather-Warm charcoal	2		
1	GJA 4410BA NDR	Cushion cover-front seat-ambly/leather-Cream	2		
1	GJA 4410BA SDC	Cushion cover-front seat-ambly/leather-Coffee	2		
1	GJA 4410BA AGD	Cushion cover-front seat-ambly/leather-Oatmeal.....	2		
1	GJA 4418BA HDX	Cushion cover-RH front seat-leather-Teal.....	1	}	(2)
1	GJA 4410BA LEG	Cushion cover-RH front seat-leather-Warm charcoal	1		
1	GJA 4418BA NDR	Cushion cover-RH front seat-leather-Cream	1		
1	GJA 4418BA SDC	Cushion cover-RH front seat-leather-Coffee.....	1		
1	GJA 4418BA AGD	Cushion cover-RH front seat-leather-Oatmeal	1		
1	GJA 4419BA HDX	Cushion cover-LH front seat-leather-Teal	1	}	(3)
1	GJA 4419BA LEG	Cushion cover-LH front seat-leather-Warm charcoal	1		
1	GJA 4419BA NDR	Cushion cover-LH front seat-leather-Cream	1		
1	GJA 4419BA SDC	Cushion cover-LH front seat-leather-Coffee	1		
1	GJA 4419BA AGD	Cushion cover-LH front seat-leather-Oatmeal.....	1		
1	GJB 4418BA HDX	Cushion cover-RH front seat-leather-Teal.....	1	}	(3)
1	GJB 4418BA LEG	Cushion cover-RH front seat-leather-Warm charcoal	1		
1	GJB 4418BA NED	Cushion cover-RH front seat-leather-Ivory	1		
1	GJB 4418BA SDZ	Cushion cover-RH front seat-leather-Cashmere	1		
1	GJB 4418BA AGD	Cushion cover-RH front seat-leather-Oatmeal	1		
1	GJB 4419BA HDX	Cushion cover-LH front seat-leather-Teal	1	}	(3)
1	GJB 4419BA LEG	Cushion cover-LH front seat-leather-Warm charcoal	1		
1	GJB 4419BA NED	Cushion cover-LH front seat-leather-Ivory.....	1		
1	GJB 4419BA SDZ	Cushion cover-LH front seat-leather-Cashmere	1		
1	GJB 4419BA AGD	Cushion cover-LH front seat-leather-Oatmeal	1		
2	GJA 4402AA	Cushion pad -RH front seat	1	}	(1)
2	GJA 4403AA	Cushion pad -LH front seat	1		
2	GJA 4402BB	Cushion pad -RH front seat	1		
2	GJA 4403BB	Cushion pad -LH front seat	1		

TT6166

CHANGE POINTS:

- (1) To (V) 003075
- (2) From (V) 003076 To (V) 018107
- (3) From (V) 018108
- (4) From (V) 003076

SEAT-FRONT-CLASSIC

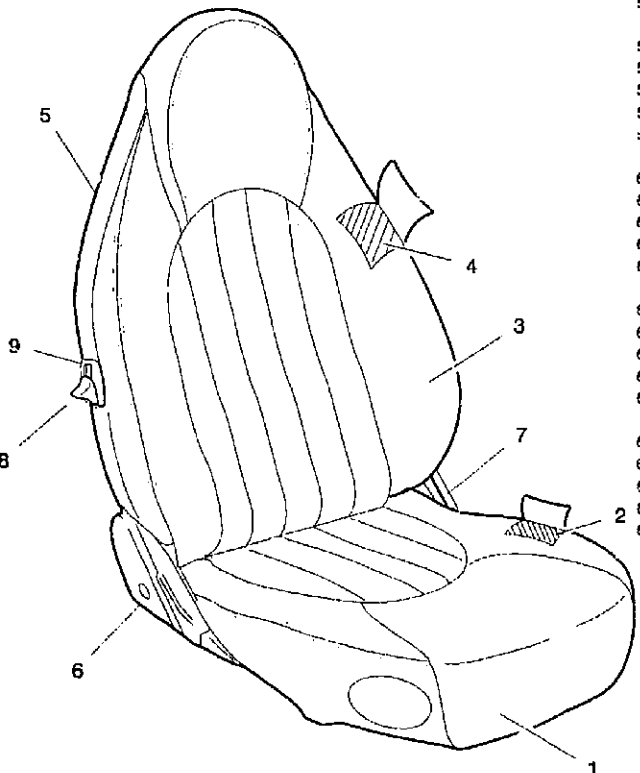


Illus	Part Number	Description	Quantity	Change Point	Remarks
3	GJA 4310BA HDX	Squab cover-front seat-ambra/leather-Teal.....	2] (1)	
3	GJA 4310BA LEG	Squab cover-front seat-ambra/leather-Warm charcoal	2		
3	GJA 4310BA NDR	Squab cover-front seat-ambra/leather-Cream	2		
3	GJA 4310BA SDC	Squab cover-front seat-ambra/leather-Coffee	2		
3	GJA 4310BA AGD	Squab cover-front seat-ambra/leather-Oatmeal.....	2		
3	GJB 4310BA HDX	Squab cover-front seat-ambra/leather-Teal.....	2] (2)	
3	GJB 4310BA LEG	Squab cover-front seat-ambra/leather-Warm charcoal	2		
3	GJB 4310BA NED	Squab cover-front seat-ambra/leather-Ivory.....	2		
3	GJB 4310BA SDZ	Squab cover-front seat-ambra/leather-Cashmere.....	2		
3	GJB 4310BA AGD	Squab cover-front seat-ambra/leather-Oatmeal.....	2		
4	GJA 4300AA	Squab pad -front seat.....	2		
5	GJA 4600AA HDX	Squab backcover-RH front seat-Teal.....	1] (1)	
5	GJA 4600AA LEG	Squab backcover-RH front seat-Warm charcoal	1		
5	GJA 4600AA NDR	Squab backcover-RH front seat-Cream	1		
5	GJA 4600AA SDC	Squab backcover-RH front seat-Coffee	1		
5	GJA 4600AA AGD	Squab backcover-RH front seat-Oatmeal.....	1		
5	GJB 4600AA HDX	Squab backcover-RH front seat-Teal.....	1] (2)	
5	GJB 4600AA LEG	Squab backcover-RH front seat-Warm charcoal	1		
5	GJB 4600AA NED	Squab backcover-RH front seat-Ivory.....	1		
5	GJB 4600AA SDZ	Squab backcover-RH front seat-Cashmere	1		
5	GJB 4600AA AGD	Squab backcover-RH front seat-Oatmeal.....	1		

TT6/66

CHANGE POINTS:
 (1) To (V) 018107
 (2) From (V) 018108

SEAT-FRONT-CLASSIC



Illus	Part Number	Description	Quantity	Change Point	Remarks
5	GJA 4601AA HDX	Squab backcover-LH front seat-Teal.....	1] (1)	
5	GJA 4601AA LEG	Squab backcover-LH front seat-Warm charcoal	1		
5	GJA 4601AA NDR	Squab backcover-LH front seat-Cream	1		
5	GJA 4601AA SDC	Squab backcover-LH front seat-Coffee.....	1		
5	GJA 4601AA AGD	Squab backcover-LH front seat-Oatmeal.....	1		
5	GJB 4601AA HDX	Squab backcover-LH front seat-Teal.....	1] (2)	
5	GJB 4601AA LEG	Squab backcover-LH front seat-Warm charcoal	1		
5	GJB 4601AA NED	Squab backcover-LH front seat-Ivory	1		
5	GJB 4601AA SDZ	Squab backcover-LH front seat-Cashmere.....	1		
5	GJB 4601AA AGD	Squab backcover-LH front seat-Oatmeal.....	1		
6	GJA 4730AA HDX	Mechanism cover -RH outer-Teal.....	1] (1)	
6	GJA 4730AA LEG	Mechanism cover -RH outer-Warm charcoal	1		
6	GJA 4730AA NDR	Mechanism cover -RH outer-Cream	1		
6	GJA 4730AA SDC	Mechanism cover -RH outer-Coffee	1		
6	GJA 4730AA AGD	Mechanism cover -RH outer-Oatmeal	1		
6	GJB 4730AA HDX	Mechanism cover -RH outer-Teal.....	1] (2)	
6	GJB 4730AA LEG	Mechanism cover -RH outer-Warm charcoal	1		
6	GJB 4730AA NED	Mechanism cover -RH outer-ivory	1		
6	GJB 4730AA SDZ	Mechanism cover -RH outer-Cashmere	1		
6	GJB 4730AA AGD	Mechanism cover -RH outer-Oatmeal	1		
6	GJA 4731AA HDX	Mechanism cover -LH outer-Teal.....	1] (1)	
6	GJA 4731AA LEG	Mechanism cover -LH outer-Warm charcoal	1		
6	GJA 4731AA NDR	Mechanism cover -LH outer-Cream	1		
6	GJA 4731AA SDC	Mechanism cover -LH outer-Coffee.....	1		
6	GJA 4731AA AGD	Mechanism cover -LH outer-Oatmeal.....	1		

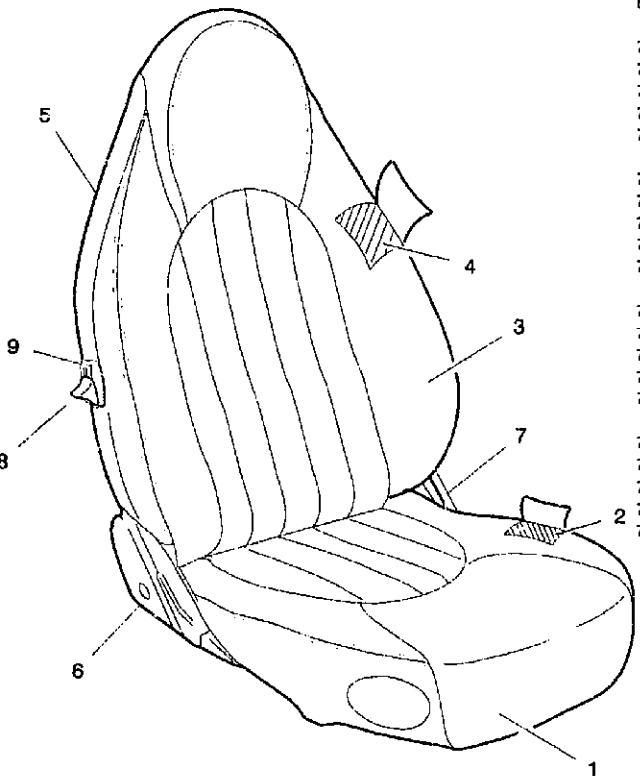
TT6165

CHANGE POINTS:

(1) To (V) 018107

(2) From (V) 018108

SEAT-FRONT-CLASSIC



Illus	Part Number	Description	Quantity	Change Point	Remarks
6	GJB 4731AA HDX	Mechanism cover -LH outer-Teal.....	1] (1)	
6	GJB 4731AA LEG	Mechanism cover -LH outer-Warm charcoal	1		
6	GJB 4731AA NED	Mechanism cover -LH outer-Ivory.....	1		
6	GJB 4731AA SDZ	Mechanism cover -LH outer-Cashmere.....	1		
6	GJB 4731AA AGD	Mechanism cover -LH outer-Oatmeal.....	1		
7	GJA 4732AA HDX	Mechanism cover -RH inner-Teal.....	1] (2)	
7	GJA 4732AA LEG	Mechanism cover -RH inner-Warm charcoal	1		
7	GJA 4732AA NDR	Mechanism cover -RH inner-Cream	1		
7	GJA 4732AA SDC	Mechanism cover -RH inner-Coffee.....	1		
7	GJA 4732AA AGD	Mechanism cover -RH inner-Oatmeal	1		
7	GJA 4733AA HDX	Mechanism cover -LH inner-Teal.....	1] (1)	
7	GJA 4733AA LEG	Mechanism cover -LH inner-Warm charcoal	1		
7	GJA 4733AA NDR	Mechanism cover -LH inner-Cream	1		
7	GJA 4733AA SDC	Mechanism cover -LH inner-Coffee	1		
7	GJA 4733AA AGD	Mechanism cover -LH inner-Oatmeal	1		
7	GJB 4732AA HDX	Mechanism cover -RH inner-Teal.....	1] (1)	
7	GJB 4732AA LEG	Mechanism cover -RH inner-Warm charcoal	1		
7	GJB 4732AA NED	Mechanism cover -RH inner-Ivory	1		
7	GJB 4732AA SDZ	Mechanism cover -RH inner-Cashmere	1		
7	GJB 4732AA AGD	Mechanism cover -RH inner-Oatmeal	1		
7	GJB 4733AA HDX	Mechanism cover -LH inner-Teal	1] (1)	
7	GJB 4733AA LEC	Mechanism cover -LH inner-Warm charcoal	1		
7	GJB 4733AA NED	Mechanism cover -LH inner-Ivory.....	1		
7	GJB 4733AA SDZ	Mechanism cover -LH inner-Cashmere	1		
7	GJB 4733AA AGD	Mechanism cover -LH inner-Oatmeal	1		

TT6166

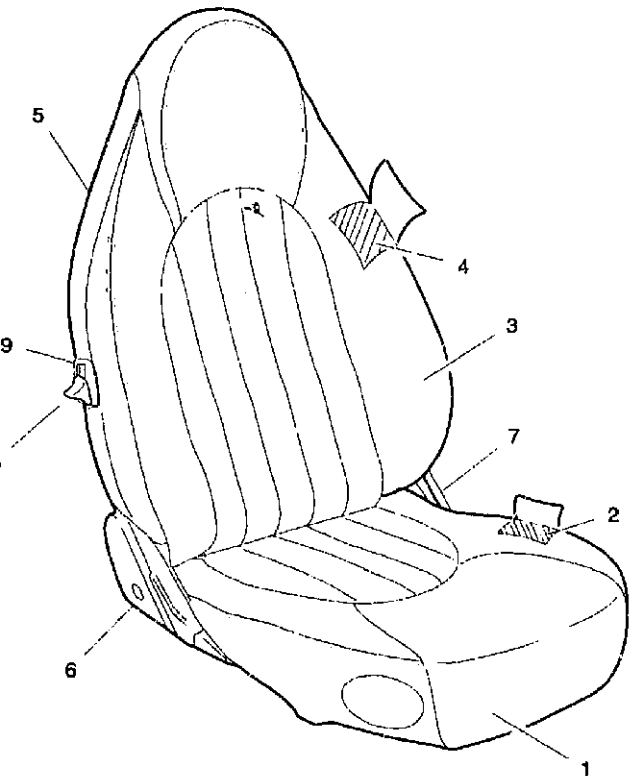
CHANGE POINTS:

(1) From (V) 018108

(2) To (V) 018107

SEAT-FRONT-CLASSIC

Illus	Part Number	Description	Quantity	Change Point	Remarks
	GJB 4740AA AGD	Internal mechanism cover-RH-Oatmeal	1		
	GJB 4740AA HDX	Internal mechanism cover-RH-Teal	1		
	GJB 4740AA LEG	Internal mechanism cover-RH-Warm charcoal	1		
	GJA 4740AA NDR	Internal mechanism cover-RH-Cream	1	(1)	
	GJA 4740AA SDC	Internal mechanism cover-RH-Coffee	1		
	GJB 4740AA NED	Internal mechanism cover-RH-Ivory	1	(2)	
	GJB 4740AA SDZ	Internal mechanism cover-RH-Cashmere	1		
	GJB 4741AA AGD	Internal mechanism cover-LH-Oatmeal	1		
	GJB 4741AA HDX	Internal mechanism cover-LH-Teal	1		
	GJB 4741AA LEG	Internal mechanism cover-LH-Warm charcoal	1		
	GJA 4741AA NDR	Internal mechanism cover-LH-Cream	1	(1)	
	GJA 4741AA SDC	Internal mechanism cover-LH-Coffee	1		
	GJB 4741AA NED	Internal mechanism cover-LH-Ivory	1	(2)	
	GJB 4741AA SDZ	Internal mechanism cover-LH-Cashmere	1		
	GJA 4742AA AGD	Screw cover-front seat-Oatmeal	4	(1)	
	GJA 4742AA HDX	Screw cover-front seat-Teal	4		
	GJA 4742AA LEG	Screw cover-front seat-Warm charcoal	4		
	GJA 4742AA NDR	Screw cover-front seat-Cream	4		
	GJA 4742AA SDC	Screw cover-front seat-Coffee	4		
	GJB 4742AA AGD	Screw cover-front seat-Oatmeal	4	(2)	
	GJB 4742AA HDX	Screw cover-front seat-Teal	4		
	GJB 4742AA LEG	Screw cover-front seat-Warm charcoal	4		
	GJB 4742AA NED	Screw cover-front seat-Ivory	4		
	GJB 4742AA SDZ	Screw cover-front seat-Cashmere	4		



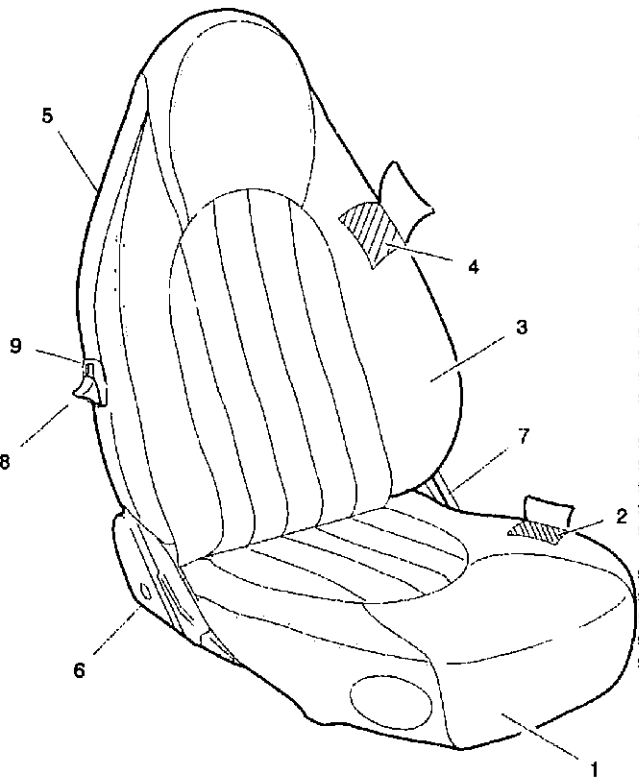
TT6166

CHANGE POINTS:

(1) To (V) 018107

(2) From (V) 018108

SEAT-FRONT-CLASSIC



Illus	Part Number	Description	Quantity	Change Point	Remarks
8	GJA 4760AA HDX	Knob-front seat-lever-Teal.....	1] (1)	
8	GJA 4760AA LEG	Knob-front seat-lever-Warm charcoal.....	1		
8	GJA 4760AA NDR	Knob-front seat-lever-Cream.....	1		
8	GJA 4760AA SDC	Knob-front seat-lever-Coffee.....	1		
8	GJA 4760AA AGD	Knob-front seat-lever-Oatmeal.....	1		
8	GJA 4760AB HDX	Knob-front seat-lever-Teal.....	1] (2)	
8	GJA 4760AB LEG	Knob-front seat-lever-Warm charcoal.....	1		
8	GJA 4760AB NDR	Knob-front seat-lever-Cream.....	1		
8	GJA 4760AB SDC	Knob-front seat-lever-Coffee.....	1		
8	GJA 4760AB AGD	Knob-front seat-lever-Oatmeal.....	1		
8	GJB 4760AA HDX	Knob-front seat-lever-Teal.....	1] (4)	
8	GJB 4760AA LEG	Knob-front seat-lever-Warm charcoal.....	1		
8	GJB 4760AA NED	Knob-front seat-lever-Ivory.....	1		
8	GJB 4760AA SDZ	Knob-front seat-lever-Cashmere.....	1		
8	GJB 4760AA AGD	Knob-front seat-lever-Oatmeal.....	1		
9	GJA 4762AA HDX	Escutcheon-lever-front seat-Teal.....	2] (3)	
9	GJA 4762AA LEG	Escutcheon-lever-front seat-Warm charcoal.....	2		
9	GJA 4762AA NDR	Escutcheon-lever-front seat-Cream.....	2		
9	GJA 4762AA SDC	Escutcheon-lever-front seat-Coffee.....	2		
9	GJA 4762AA AGD	Escutcheon-lever-front seat-Oatmeal.....	2		
9	GJB 4762AA HDX	Escutcheon-lever-RH front seat-Teal.....	1] (4)	
9	GJB 4762AA LEG	Escutcheon-lever-RH front seat-Warm charcoal.....	1		
9	GJB 4762AA NED	Escutcheon-lever-RH front seat-Ivory.....	1		
9	GJB 4762AA SDZ	Escutcheon-lever-RH front seat-Cashmere.....	1		
9	GJB 4762AA AGD	Escutcheon-lever-RH front seat-Oatmeal.....	1		
9	GJB 4763AA HDX	Escutcheon-lever-LH front seat-Teal.....	1] (4)	
9	GJB 4763AA LEG	Escutcheon-lever-LH front seat-Warm charcoal.....	1		
9	GJB 4763AA NED	Escutcheon-lever-LH front seat-Ivory.....	1		
9	GJB 4763AA SDZ	Escutcheon-lever-LH front seat-Cashmere.....	1		
9	GJB 4763AA AGD	Escutcheon-lever-LH front seat-Oatmeal.....	1		

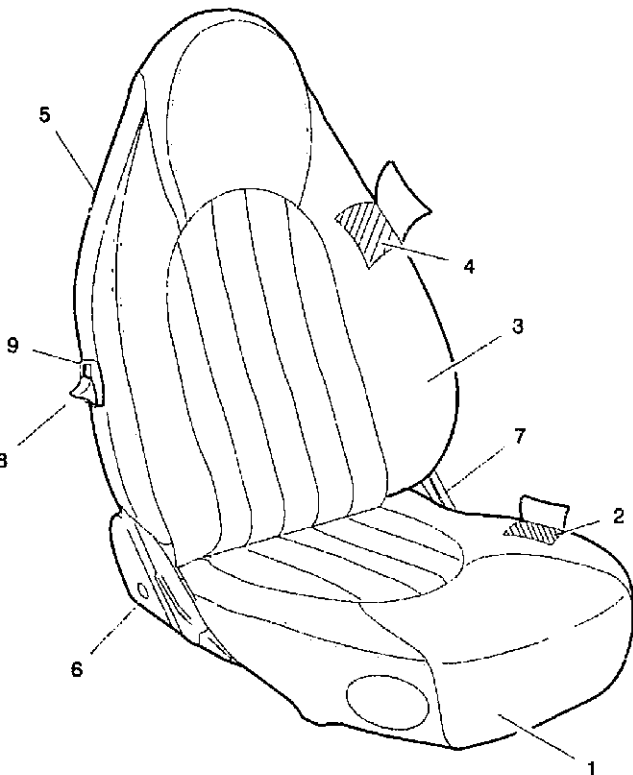
TT6166

CHANGE POINTS:

- (1) To (V) 009850
- (2) From (V) 009851 To (V) 018107
- (3) To (V) 018107
- (4) From (V) 018108

SEAT-FRONT-CLASSIC

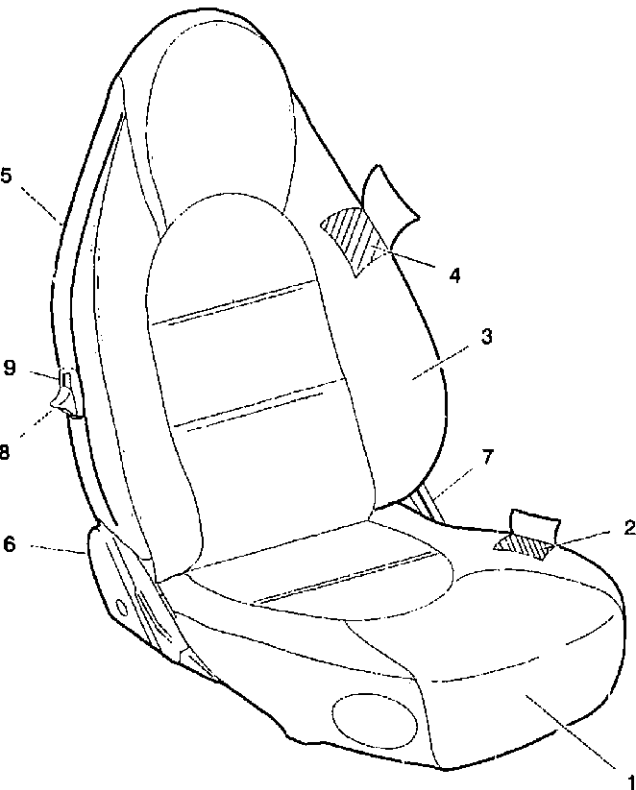
Illus	Part Number	Description	Quantity	Change Point	Remarks
	JET 100009	Spring clip.....	4		
	DA 608043	Screw.....	A/R		
	AN 103011	Push on fix.....	A/R		



TT6166

SEAT-FRONT-SPORT

Illus	Part Number	Description	Quantity	Change Point	Remarks
	1 GJA 4500AANE	Cushion cover-front seat-sports cloth-Cream	2] (1)	
	1 GJA 4500AAAGF	Cushion cover-front seat-sports cloth-Oatmeal	2		
	1 GJA 4500AALGE	Cushion cover-front seat-sports cloth-Warm charcoal	2		
	1 GJA 4436AANE	Cushion cover-RH front seat-sports cloth-Cream	1] (2)	
	1 GJA 4436AAAGF	Cushion cover-RH front seat-sports cloth-Oatmeal	1		
	1 GJA 4436AALGE	Cushion cover-RH front seat-sports cloth-Warm charcoal ...	1		
	1 GJA 4437AANE	Cushion cover-LH front seat-sports cloth-Cream	1] (2)	
	1 GJA 4437AAAGF	Cushion cover-LH front seat-sports cloth-Oatmeal	1		
	1 GJA 4437AALGE	Cushion cover-LH front seat-sports cloth-Warm charcoal ...	1		
	1 GJB 4436AAAGF	Cushion cover-RH front seat-sports cloth-Oatmeal	1] (3)	
	1 GJB 4436AALGE	Cushion cover-RH front seat-sports cloth-Warm charcoal ...	1		
	1 GJB 4437AAAGF	Cushion cover-LH front seat-sports cloth-Oatmeal	1] (3)	
	1 GJB 4437AALGE	Cushion cover-LH front seat-sports cloth-Warm charcoal ...	1		



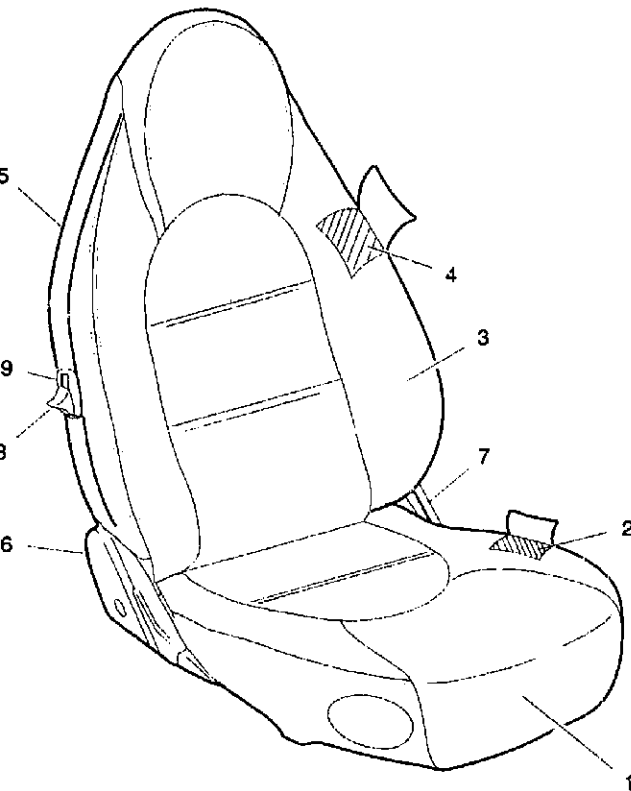
TT6165

CHANGE POINTS:

- (1) To (V) 003075
- (2) From (V) 003076 To (V) J18107
- (3) From (V) 018108

SEAT-FRONT-SPORT

Illus	Part Number	Description	Quantity	Change Point	Remarks
	1 GJA 4500EANDR	Cushion cover-front seat-embossed leather-Cream	2] (1)	
	1 GJA 4500EAAGD	Cushion cover-front seat-embossed leather-Oatmeal	2		
	1 GJA 4500EALEG	Cushion cover-front seat-embossed leather-Warm	2		
		charcoal			
	1 GJA 4438EANCR	Cushion cover-RH front seat-embossed leather-Cream	1] (2)	
	1 GJA 4438EAAGD	Cushion cover-RH front seat-embossed leather-Oatmeal	1		
	1 GJA 4438EALEG	Cushion cover-RH front seat-embossed leather-Warm	1		
		charcoal			
	1 GJA 4437EANDR	Cushion cover-LH front seat-embossed leather-Cream	1] (2)	
	1 GJA 4437EAAGD	Cushion cover-LH front seat-embossed leather-Oatmeal	1		
	1 GJA 4437EALEG	Cushion cover-LH front seat-embossed leather-Warm	1		
		charcoal			
	1 GJB 4438EANED	Cushion cover-RH front seat-embossed leather-Ivory	1] (3)	
	1 GJB 4438EAAGD	Cushion cover-RH front seat-embossed leather-Oatmeal	1		
	1 GJB 4438EALEG	Cushion cover-RH front seat-embossed leather-Warm	1		
		charcoal			
	1 GJB 4437EANED	Cushion cover-LH front seat-embossed leather-Ivory	1] (3)	
	1 GJB 4437EAAGD	Cushion cover-LH front seat-embossed leather-Oatmeal	1		
	1 GJB 4437EALEG	Cushion cover-LH front seat-embossed leather-Warm	1		
		charcoal			
	2 GJA 4402AA	Cushion pad -RH front seat	1] (1)	
	2 GJA 4403AA	Cushion pad -LH front seat	1		
	2 GJA 4402BB	Cushion pad -RH front seat	1] (4)	
	2 GJA 4403BB	Cushion pad -LH front seat	1		



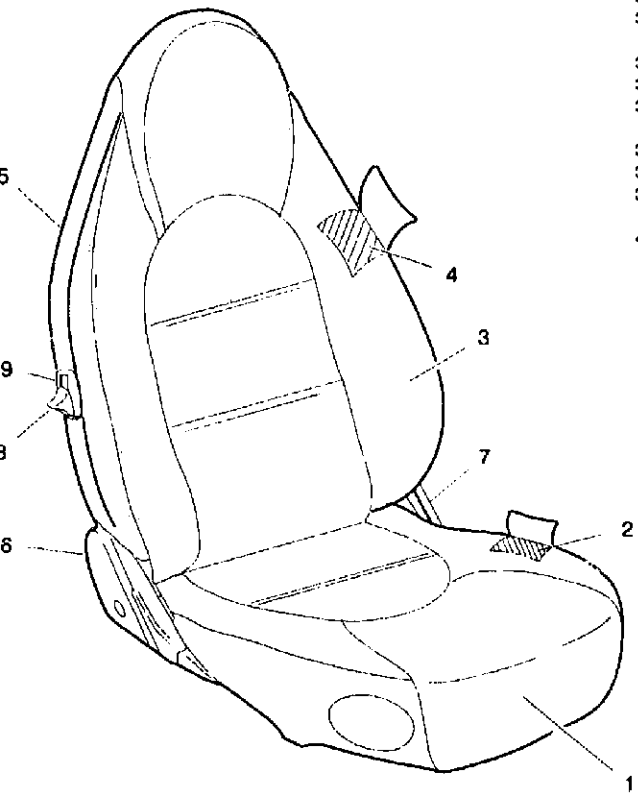
TT6165

CHANGE POINTS:

- (1) To (V) 003075
- (2) From (V) 003076 To (V) 018107
- (3) From (V) 018108
- (4) From (V) 003076

SEAT-FRONT-SPORT

illus	Part Number	Description	Quantity	Change Point	Remarks
	3 GJA 4316AA NEB	Squab cover-front seat-sports cloth-Cream	2] (1).....].....].....	Sports trim
	3 GJA 4316AA AGF	Squab cover-front seat-sports cloth-Oatmeal.....	2		
	3 GJA 4316AA LGE	Squab cover-front seat-sports cloth-Warm charcoal	2		
	3 GJB 4316AA AGF	Squab cover-front seat-sports cloth-Oatmeal.....	2] (2).....].....	
	3 GJB 4316AA LGE	Squab cover-front seat-sports cloth-Warm charcoal	2		
	3 GJA 4316EA NDR	Squab cover-front seat-embossed leather-Cream	2] (1).....].....].....	
	3 GJA 4316EA AGD	Squab cover-front seat-embossed leather-Oatmeal.....	2		
	3 GJA 4316EA LEG	Squab cover-front seat-embossed leather-Warm charcoal... 2	2		
	3 GJB 4316EA NED	Squab cover-front seat-embossed leather-Ivory.....	2] (2).....].....].....	
	3 GJB 4316EA AGD	Squab cover-front seat-embossed leather-Oatmeal.....	2		
	3 GJB 4316EA LEG	Squab cover-front seat-embossed leather-Warm charcoal... 2	2		
	4 GJA 4300AA	Squab pad -front seat	2		

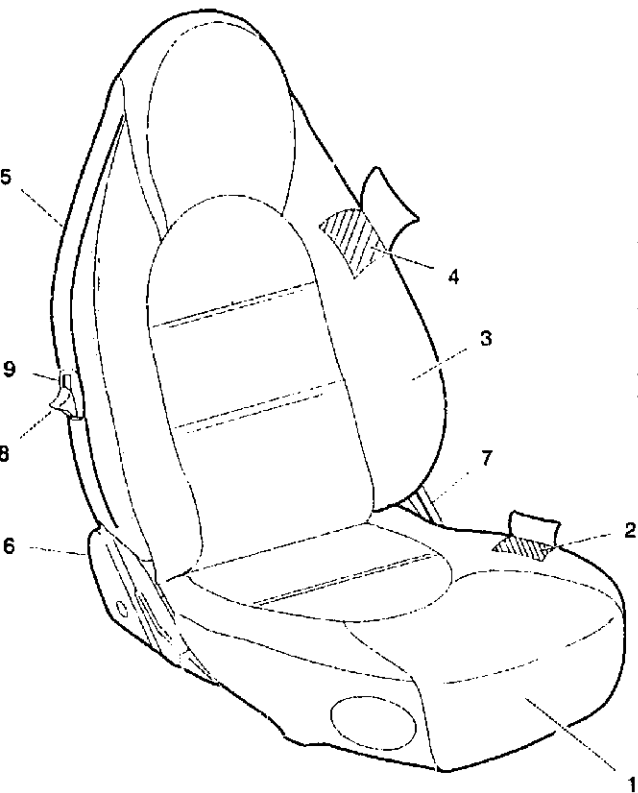


TT6165

CHANGE POINTS:
(1) To (V) 018107
(2) From (V) 018108

SEAT-FRONT-SPORT

Illus	Part Number	Description	Quantity	Change Point	Remarks
	5 GJA 4600AA HDX	Squab backcover-RH front seat-Teal.....	1] (1)	
	5 GJA 4600AA LEG	Squab backcover-RH front seat-Warm charcoal	1		
	5 GJA 4600AA NDR	Squab backcover-RH front seat-Cream	1		
	5 GJA 4600AA SDC	Squab backcover-RH front seat-Coffee.....	1		
	5 GJA 4600AA AGD	Squab backcover-RH front seat-Oatmeal.....	1		
	5 GJA 4601AA HDX	Squab backcover-LH front seat-Teal.....	1		
	5 GJA 4601AA LEG	Squab backcover-LH front seat-Warm charcoal	1		
	5 GJA 4601AA NDR	Squab backcover-LH front seat-Cream	1		
	5 GJA 4601AA SDC	Squab backcover-LH front seat-Coffee.....	1		
	5 GJA 4601AA AGD	Squab backcover-LH front seat-Oatmeal.....	1		
	5 GJB 4600AA HDX	Squab backcover-RH front seat-Teal.....	1] (2)	
	5 GJB 4600AA LEG	Squab backcover-RH front seat-Warm charcoal	1		
	5 GJB 4600AA NED	Squab backcover-RH front seat-Ivory.....	1		
	5 GJB 4600AA SDZ	Squab backcover-RH front seat-Cashmere.....	1		
	5 GJB 4500AA AGD	Squab backcover-RH front seat-Oatmeal.....	1		
	5 GJB 4601AA HDX	Squab backcover-LH front seat-Teal.....	1		
	5 GJB 4601AA LEG	Squab backcover-LH front seat-Warm charcoal	1		
	5 GJB 4601AA NED	Squab backcover-LH front seat-Ivory	1		
	5 GJB 4601AA SDZ	Squab backcover-LH front seat-Cashmere.....	1		
	5 GJB 4601AA AGD	Squab backcover-LH front seat-Oatmeal.....	1		



TT6165

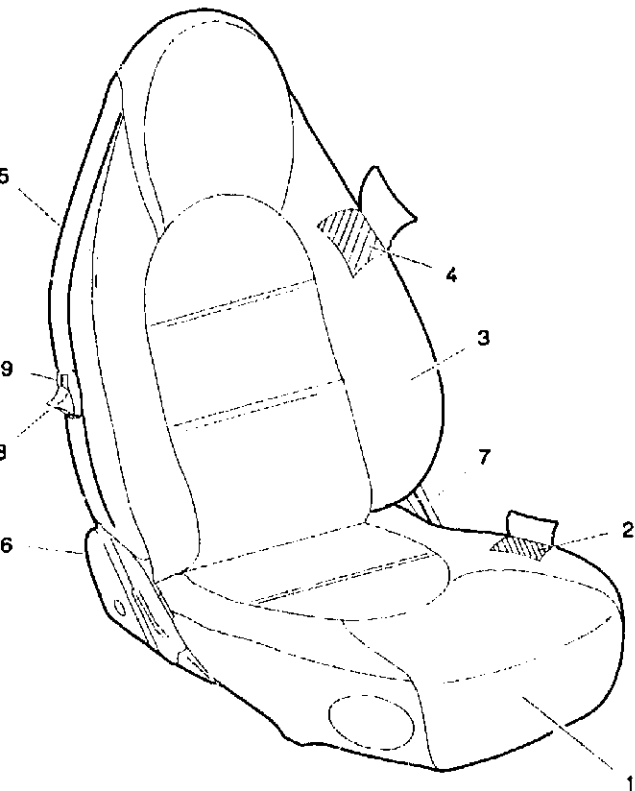
CHANGE POINTS:

(1) To (V) 018107

(2) From (V) 018108

SEAT-FRONT-SPORT

Illus	Part Number	Description	Quantity	Change Point	Remarks
	6 GJA 4730AA HDX	Mechanism cover -RH outer-Teal	1	(1)	
	6 GJA 4730AA LEG	Mechanism cover -RH outer-Warm charcoal	1		
	6 GJA 4730AA NDR	Mechanism cover -RH outer-Cream	1		
	6 GJA 4730AA SDC	Mechanism cover -RH outer-Coffee	1		
	6 GJA 4730AA AGD	Mechanism cover -RH outer-Oatmeal	1		
	6 GJA 4731AA HDX	Mechanism cover -LH outer-Teal	1		
	6 GJA 4731AA LEG	Mechanism cover -LH outer-Warm charcoal	1	(2)	
	6 GJA 4731AA NDR	Mechanism cover -LH outer-Cream	1		
	6 GJA 4731AA SDC	Mechanism cover -LH outer-Coffee	1		
	6 GJA 4731AA AGD	Mechanism cover -LH outer-Oatmeal	1		
	6 GJB 4730AA HDX	Mechanism cover -RH outer-Teal	1		
	6 GJB 4730AA LEG	Mechanism cover -RH outer-Warm charcoal	1		
	6 GJB 4730AA NED	Mechanism cover -RH outer-Ivory	1	(2)	
	6 GJB 4730AA SDZ	Mechanism cover -RH outer-Cashmere	1		
	6 GJB 4730AA AGD	Mechanism cover -RH outer-Oatmeal	1		
	6 GJB 4731AA HDX	Mechanism cover -LH outer-Teal	1		
	6 GJB 4731AA LEG	Mechanism cover -LH outer-Warm charcoal	1		
	6 GJB 4731AA NED	Mechanism cover -LH outer-Ivory	1		
	6 GJB 4731AA SDZ	Mechanism cover -LH outer-Cashmere	1	(2)	
	6 GJB 4731AA AGD	Mechanism cover -LH outer-Oatmeal	1		

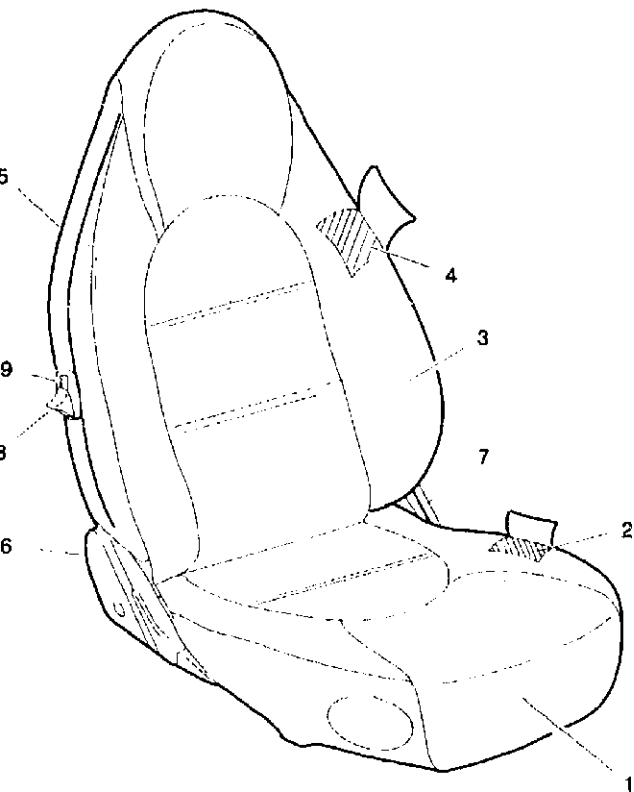


TT6165

CHANGE POINTS:
(1) To (V) 018107
(2) From (V) 018108

SEAT-FRONT-SPORT

Illus	Part Number	Description	Quantity	Change Point	Remarks
	7 GJA 4732AA HDX	Mechanism cover -RH inner-Teal.....	1	(1)	
	7 GJA 4732AA LEG	Mechanism cover -RH inner-Warm charcoal.....	1		
	7 GJA 4732AA NDR	Mechanism cover -RH inner-Cream.....	1		
	7 GJA 4732AA SDC	Mechanism cover -RH inner-Coffee.....	1		
	7 GJA 4732AA AGD	Mechanism cover -RH inner-Oatmeal.....	1		
	7 GJA 4733AA HDX	Mechanism cover -LH inner-Teal.....	1		
	7 GJA 4733AA LEG	Mechanism cover -LH inner-Warm charcoal.....	1		
	7 GJA 4733AA NDR	Mechanism cover -LH inner-Cream.....	1		
	7 GJA 4733AA SDC	Mechanism cover -LH inner-Coffee.....	1		
	7 GJA 4733AA AGD	Mechanism cover -LH inner-Oatmeal.....	1		
	7 GJB 4732AA HDX	Mechanism cover -RH inner-Teal.....	1	(2)	
	7 GJB 4732AA LEG	Mechanism cover -RH inner-Warm charcoal.....	1		
	7 GJB 4732AA NED	Mechanism cover -RH inner-Ivory.....	1		
	7 GJB 4732AA SDZ	Mechanism cover -RH inner-Cashmere.....	1		
	7 GJB 4732AA AGD	Mechanism cover -RH inner-Oatmeal.....	1		
	7 GJB 4733AA HLX	Mechanism cover -LH inner-Teal.....	1		
	7 GJB 4733AA LEG	Mechanism cover -LH inner-Warm charcoal.....	1		
	7 GJB 4733AA NED	Mechanism cover -LH inner-Ivory.....	1		
	7 GJB 4733AA SDZ	Mechanism cover -LH inner-Cashmere.....	1		
	7 GJB 4733AA AGD	Mechanism cover -LH inner-Oatmeal.....	1		



TT6165

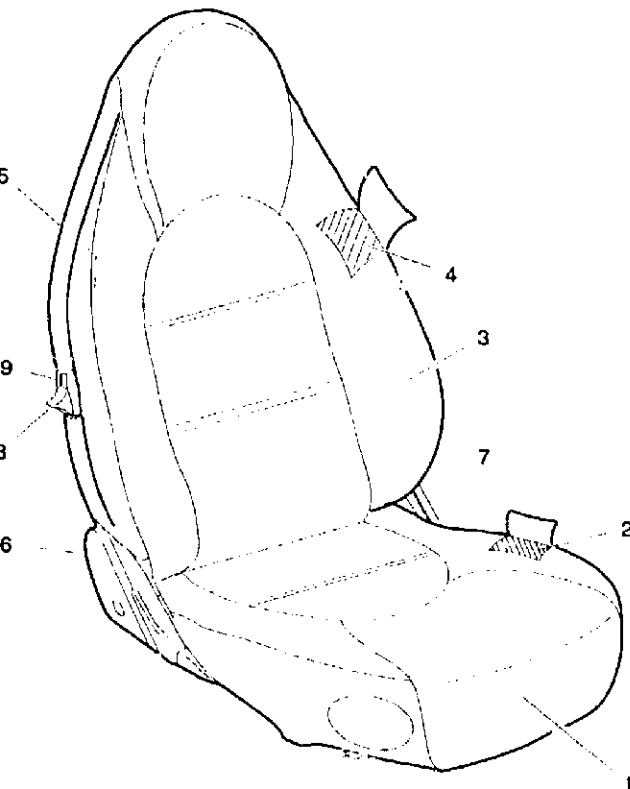
CHANGE POINTS.

(1) To (V) 018107

(2) From (V) 018108

SEAT-FRONT-SPORT

Illus	Part Number	Description	Quantity	Change Point	Remarks
	GJB 4740AA AGD	Internal mechanism cover-RH-Oatmeal	1		
	GJB 4740AA HDX	Internal mechanism cover-RH-Teal	1		
	GJB 4740AA LEG	Internal mechanism cover-RH-Warm charcoal	1		
	GJA 4740AA NDR	Internal mechanism cover-RH-Cream	1	(1)	
	GJA 4740AA SDC	Internal mechanism cover-RH-Coffee	1		
	GJB 4740AA NED	Internal mechanism cover-RH-Ivory	1	(2)	
	GJB 4740AA SDZ	Internal mechanism cover-RH-Cashmere	1		
	GJB 4741AA AGD	Internal mechanism cover-LH-Oatmeal	1		
	GJB 4741AA HDX	Internal mechanism cover-LH-Teal	1		
	GJB 4741AA LEG	Internal mechanism cover-LH-Warm charcoal	1		
	GJA 4741AA NDR	Internal mechanism cover-LH-Cream	1	(1)	
	GJA 4741AA SDC	Internal mechanism cover-LH-Coffee	1		
	GJB 4741AA NED	Internal mechanism cover-LH-Ivory	1	(2)	
	GJB 4741AA SDZ	Internal mechanism cover-LH-Cashmere	1		
	GJA 4742AA AGD	Screw cover-front seat-Oatmeal	4	(1)	
	GJA 4742AA HDX	Screw cover-front seat-Teal	4		
	GJA 4742AA LEG	Screw cover-front seat-Warm charcoal	4		
	GJA 4742AA NDR	Screw cover-front seat-Cream	4		
	GJA 4742AA SDC	Screw cover-front seat-Coffee	4		
	GJB 4742AA AGD	Screw cover-front seat-Oatmeal	4	(2)	
	GJB 4742AA HDX	Screw cover-front seat-Teal	4		
	GJB 4742AA LEG	Screw cover-front seat-Warm charcoal	4		
	GJB 4742AA NED	Screw cover-front seat-Ivory	4		
	GJB 4742AA SDZ	Screw cover-front seat-Cashmere	4		



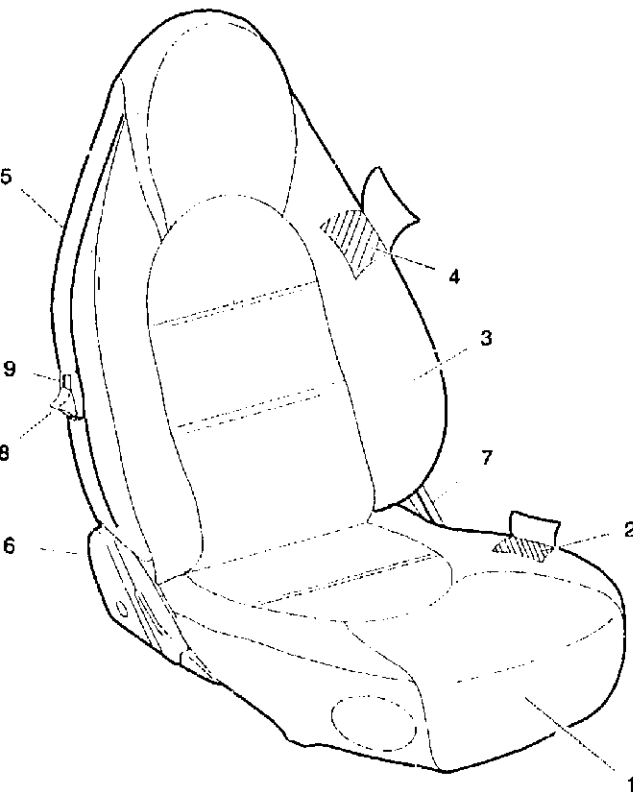
TT6165

CHANGE POINTS

(1) To (V) 018107

(2) From (V) 018108

SCAT-FRONT-SPORT



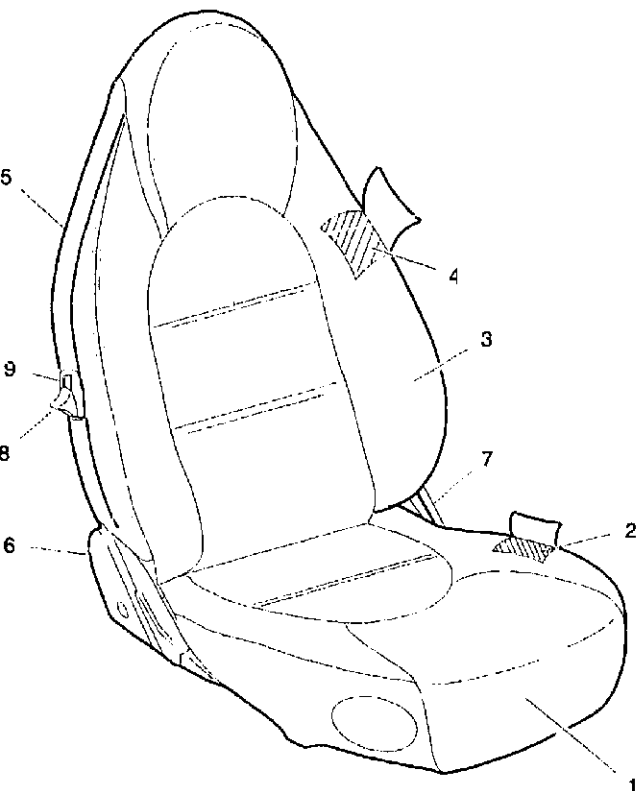
TT6165

Qty	Part Number	Description	Quantity	Change Point	Remarks
8	GJA 4760AA HDX	Knob-front seat-lever-Teal.....	1] (1)	
8	GJA 4760AA LEG	Knob-front seat-lever-Warm charcoal.....	1		
8	GJA 4760AA NDR	Knob-front seat-lever-Cream.....	1		
8	GJA 4760AA SDC	Knob-front seat-lever-Coffee.....	1		
8	GJA 4760AA AGD	Knob-front seat-lever-Oatmeal.....	1		
8	GJA 4760AB HDX	Knob-front seat-lever-Teal.....	1] (2)	
8	GJA 4760AB LEG	Knob-front seat-lever-Warm charcoal.....	1		
8	GJA 4760AB NDR	Knob-front seat-lever-Cream.....	1		
8	GJA 4760AB SDC	Knob-front seat-lever-Coffee.....	1		
8	GJA 4760AB AGD	Knob-front seat-lever-Oatmeal.....	1		
8	GJB 4760AA HDX	Knob-front seat-lever-Teal.....	1] (4)	
8	GJB 4760AA LEG	Knob-front seat-lever-Warm charcoal.....	1		
3	GJB 4760AA NED	Knob-front seat-lever-Ivory.....	1		
8	GJB 4760AA SDZ	Knob-front seat-lever-Cashmere.....	1		
8	GJB 4760AA AGD	Knob-front seat-lever-Oatmeal.....	1		
9	GJA 4762AA HDX	Escutcheon-lever-front seat-Teal.....	2] (3)	
9	GJA 4762AA LEG	Escutcheon-lever-front seat-Warm charcoal.....	2		
9	GJA 4762AA NDR	Escutcheon-lever-front seat-Cream.....	2		
9	GJA 4762AA SDC	Escutcheon-lever-front seat-Coffee.....	2		
9	GJA 4762AA AGD	Escutcheon-lever-front seat-Oatmeal.....	2		
9	GJB 4762AA AGD	Escutcheon-lever-RH front seat-Oatmeal.....	1] (4)	
9	GJD 4762AA HDX	Escutcheon-lever-RH front seat-Teal.....	1		
9	GJB 4762AA LEG	Escutcheon-lever-RH front seat-Warm charcoal.....	1		
9	GJB 4762AA NED	Escutcheon-lever-RH front seat-Ivory.....	1		
2	GJB 4762AA SDZ	Escutcheon-lever-RH front seat-Cashmere.....	1		
9	GJB 4763AA AGD	Escutcheon-lever-LH front seat-Oatmeal.....	1		
9	GJB 4763AA HDX	Escutcheon-lever-LH front seat-Teal.....	1		
9	GJB 4763AA LEG	Escutcheon-lever-LH front seat-Warm charcoal.....	1		
9	GJB 4763AA NED	Escutcheon-lever-LH front seat-Ivory.....	1		
9	GJB 4763AA SDZ	Escutcheon-lever-LH front seat-Cashmere.....	1		

CHANGE POINTS:

- (1) To (V) 009650
- (2) From (V) 009851 To (V) 018107
- (3) To (V) 018107
- (4) From (V) 018108

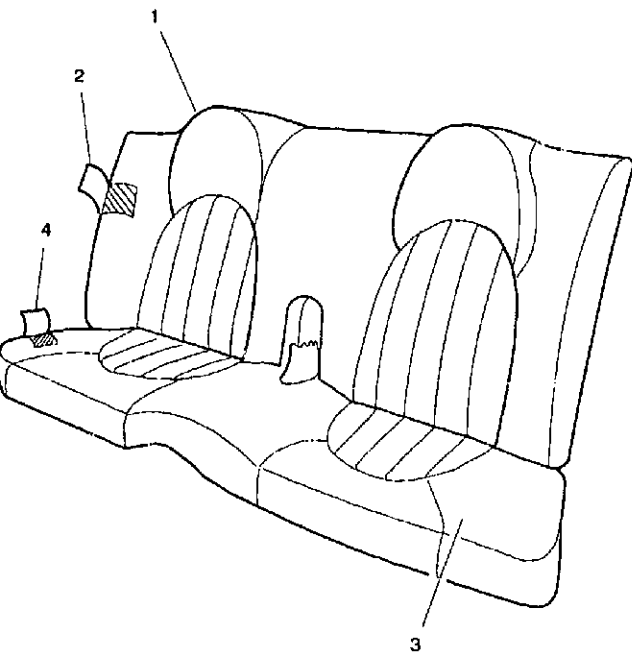
Illus	Part Number	Description	Quantity	Change Point	Remarks
	JET 100009	Spring clip.....	4		
	DA 608043	Screw.....	A/R		
	AN 103011	Push on fix.....	A/R		



TT6165

SEAT-REAR-CLASSIC-COUPÉ

Illus	Part Number	Description	Quantity	Change Point	Remarks
	1 GJA 5524BC HDX	Squab-rear seat-ambly/leather-Teal.....	1] (1).....	Coupe,Classic trim
	1 GJA 5524BC LEG	Squab-rear seat-ambly/leather-Warm charcoal.....	1		
	1 GJA 5524BC NDR	Squab-rear seat-ambly/leather-Cream.....	1		
	1 GJA 5524BC SDC	Squab-rear seat-ambly/leather-Coffee.....	1		
	1 GJA 5524BC AGD	Squab-rear seat-ambly/leather-Oatmeal.....	1		
	1 GJB 5524BA HDX	Squab-rear seat-ambly/leather-Teal.....	1] (2).....	
	1 GJB 5524BA LEG	Squab-rear seat-ambly/leather-Warm charcoal.....	1		
	1 GJB 5524BA NED	Squab-rear seat-ambly/leather-Ivory.....	1		
	1 GJB 5524BA SDZ	Squab-rear seat-ambly/leather-Cashmere.....	1		
	1 GJB 5524BA AGD	Squab-rear seat-ambly/leather-Oatmeal.....	1		
	2 GJA 5584BA HDX	Squab cover-rear seat-ambly/leather-Teal.....	1] (1).....	
	2 GJA 5584BA LEG	Squab cover-rear seat-ambly/leather-Warm charcoal.....	1		
	2 GJA 5584BA NDR	Squab cover-rear seat-ambly/leather-Cream.....	1		
	2 GJA 5584BA SDC	Squab cover-rear seat-ambly/leather-Coffee.....	1		
	2 GJA 5584BA AGD	Squab cover-rear seat-ambly/leather-Oatmeal.....	1		
	2 GJB 5584BA HDX	Squab cover-rear seat-ambly/leather-Teal.....	1] (2).....	
	2 GJB 5584BA LEG	Squab cover-rear seat-ambly/leather-Warm charcoal.....	1		
	2 GJB 5584BA NED	Squab cover-rear seat-ambly/leather-Ivory.....	1		
	2 GJB 5584BA SDZ	Squab cover-rear seat-ambly/leather-Cashmere.....	1		
	2 GJB 5584BA AGD	Squab cover-rear seat-ambly/leather-Oatmeal.....	1		



TT6242

CHANGE POINTS:

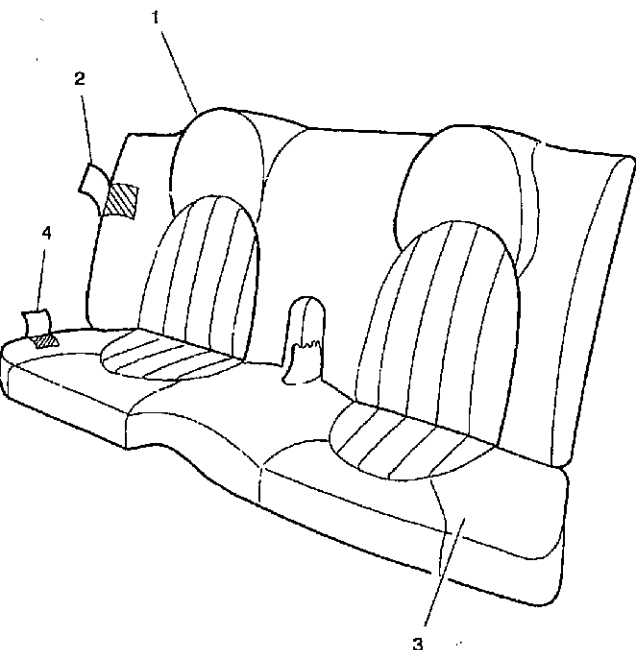
(1) To (V) 018107

(2) From (V) 018108

MASTER INDEX	GROUP INDEX	
ENGINE 1 D		
ENGINE MANAGEMENT/EMISSION SYSTEMS 1 F	FRONT SEATS, TRIM AND FITTINGS 2 J 02	DOOR SWITCHPACK 2 K 11
AIR AND FUEL DELIVERY SYSTEMS 1 G	MISCELLANEOUS ELECTRICAL 2 K 13	SEAT FRAME-FRONT 2 K 09
ENGINE COOLING SYSTEM 1 H	REAR SEATS, TRIM AND FITTINGS 2 J 18	SEAT HEATER 2 K 13
EXHAUST SYSTEM AND COMPONENTS 1 I	SEAT SLIDES AND ADJUSTERS 2 K 09	SEAT SLIDE-FRONT 2 K 10
TRANSMISSION AND DRIVELINE 1 J	SEAT SWITCHES 2 K 11	SEAT SWITCH 2 K 12
STEERING AND SUSPENSION 1 K		SEAT-FRONT-CLASSIC 2 J 02
BRAKING SYSTEM 1 M		SEAT-FRONT-SPORT 2 J 09
AIR CONDITIONING/HEATING/VENTILATION 1 N		SEAT-REAR-CLASSIC-CONVERTIBLE 2 K 03
WIPER AND WASHER SYSTEMS 1 O		SEAT-REAR-CLASSIC-COUPÉ 2 J 18
ELECTRICAL DISTRIBUTION SYSTEM 2 C		SEAT-REAR-SPORT-CONVERTIBLE 2 K 07
INFORMATION SYSTEMS AND CONTROLS 2 E		SEAT-REAR-SPORT-COUPÉ 2 K 05
BATTERY/STARTER MOTOR/ALTERNATOR 2 F		
IN CAR ENTERTAINMENT 2 G		
LIGHTING - EXTERIOR/INTERIOR 2 H		
LOCKING/SECURITY SYSTEMS/HORNS 2 I		
SEATING 2 J		
OCCUPANT RESTRAINTS 2 L		
INTERIOR TRIM AND LININGS 2 M		
EXTERIOR FITTINGS AND SUNROOF 3 G		
BODY CLOSURES AND SEALING 3 U		
BODY METAL PANELS AND SEALING 3 G		
ACCESSORIES/CONSUMABLES/INDEX 3 H		

SEAT-REAR-CLASSIC-COUPÉ

Illus	Part Number	Description	Quantity	Change Point	Remarks
	3 GJA 5300BC HDX	Cushion-rear seat-ambla/leather-Teal	1	(1).....	Coupe,Classic trim
	3 GJA 5300BC LEG	Cushion-rear seat-ambla/leather-Warm charcoal	1		
	3 GJA 5300BC NDR	Cushion-rear seat-ambla/leather-Cream	1		
	3 GJA 5300BC SDC	Cushion-rear seat-ambla/leather-Coffee	1		
	3 GJA 5300BC AGD	Cushion-rear seat-ambla/leather-Oatmeal	1		
	3 GJB 5300BA HDX	Cushion-rear seat-ambla/leather-Teal	1	(2).....	
	3 GJB 5300BA LEG	Cushion-rear seat-ambla/leather-Warm charcoal	1		
	3 GJB 5300BA NED	Cushion-rear seat-ambla/leather-Ivory	1		
	3 GJB 5300BA SDZ	Cushion-rear seat-ambla/leather-Cashmere	1		
	3 GJB 5300BA AGD	Cushion-rear seat-ambla/leather-Oatmeal	1		
	4 GJA 5360BA HDX	Cushion cover-rear seat-ambla/leather-Teal	1	(1).....	
	4 GJA 5360BA LEG	Cushion cover-rear seat-ambla/leather-Warm charcoal	1		
	4 GJA 5360BA NDR	Cushion cover-rear seat-ambla/leather-Cream	1		
	4 GJA 5360BA SDC	Cushion cover-rear seat-ambla/leather-Coffee	1		
	4 GJA 5360BA AGD	Cushion cover-rear seat-ambla/leather-Oatmeal	1		
	4 GJB 5360BA HDX	Cushion cover-rear seat-ambla/leather-Teal	1	(2).....	
	4 GJB 5360BA LEG	Cushion cover-rear seat-ambla/leather-Warm charcoal	1		
	4 GJB 5360BA NED	Cushion cover-rear seat-ambla/leather-Ivory	1		
	4 GJB 5360BA SDZ	Cushion cover-rear seat-ambla/leather-Cashmere	1		
	4 GJB 5360BA AGD	Cushion cover-rear seat-ambla/leather-Oatmeal	1		
	DA 610051	Screw/washer	2		
	AK 610021	Spire nut	2		
	JZH 100008	Flange nut-assembly	2		



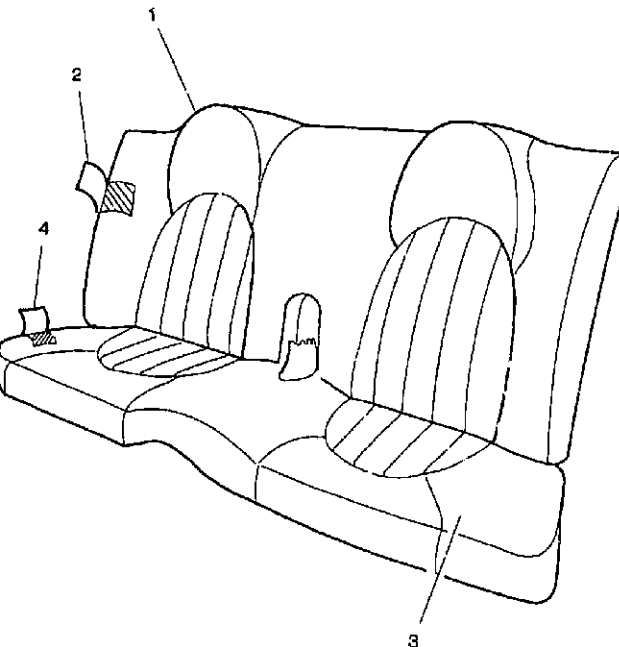
TT5242

CHANGE POINTS:

(1) To (V) 018107

(2) From (V) 018108

SEAT-REAR-CLASSIC-CONVERTIBLE



Illus	Part Number	Description	Quantity	Change Point	Remarks
	1	GJA 5528BC HDX Squab-rear seat-ambila/leather-Teal	1] (1).....	Convertible 2+2;Classic trim
	1	GJA 5528BC LEG Squab-rear seat-ambila/leather-Warm charcoal	1		
	1	GJA 5528BC NDR Squab-rear seat-ambila/leather-Cream	1		
	1	GJA 5528BC SDC Squab-rear seat-ambila/leather-Coffee	1		
	1	GJA 5528BC AGD Squab-rear seat-ambila/leather-Oatmeal	1		
	1	GJB 5528BA HDX Squab-rear seat-ambila/leather-Teal	1] (2).....	
	1	GJB 5528BA LEG Squab-rear seat-ambila/leather-Warm charcoal	1		
	1	GJB 5528BA NED Squab-rear seat-ambila/leather-Ivory	1		
	1	GJB 5528BA SDZ Squab-rear seat-ambila/leather-Cashmere	1		
	1	GJB 5528BA AGD Squab-rear seat-ambila/leather-Oatmeal	1		
	2	GJA 5589BA HDX Squab cover-rear seat-ambila/leather-Teal.....	1] (1).....	
	2	GJA 5589BA LEG Squab cover-rear seat-ambila/leather-Warm charcoal	1		
	2	GJA 5589BA NDR Squab cover-rear seat-ambila/leather-Cream	1		
	2	GJA 5589BA SDC Squab cover-rear seat-ambila/leather-Coffee	1		
	2	GJA 5589BA AGD Squab cover-rear seat-ambila/leather-Oatmeal.....	1		
	2	GJB 5589BA HDX Squab cover-rear seat-ambila/leather-Teal.....	1] (2).....	
	2	GJB 5589BA LEG Squab cover-rear seat-ambila/leather-Warm charcoal	1		
	2	GJB 5589BA NED Squab cover-rear seat-ambila/leather-Ivory	1		
	2	GJB 5589BA SDZ Squab cover-rear seat-ambila/leather-Cashmere.....	1		
	2	GJB 5589BA AGD Squab cover-rear seat-ambila/leather-Oatmeal.....	1		

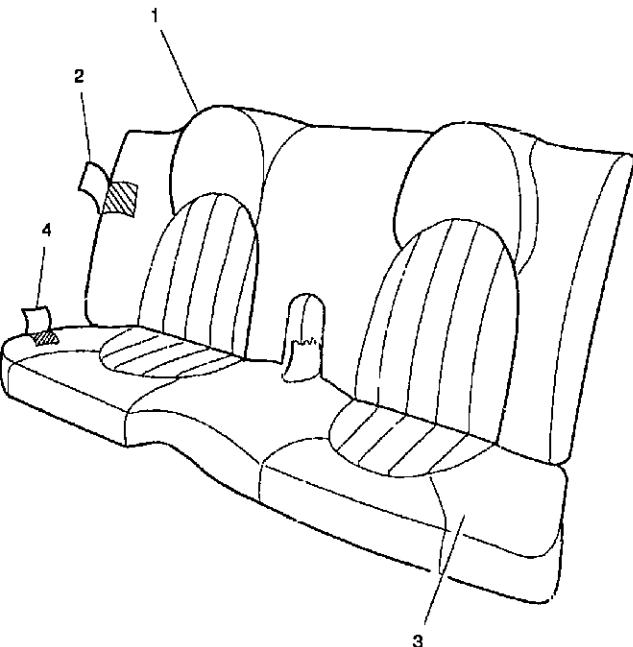
TT6243

CHANGE POINTS:

- (1) To (V) 018107
- (2) From (V) 018108

SEAT-REAR-CLASSIC-CONVERTIBLE

Illus	Part Number	Description	Quantity	Change Point	Remarks
	3 GJA 5304BC HDX	Cushion-rear seat-ambla/leather-Teal	1] (1).....	} Convertible 2+2; Classic trim
	3 GJA 5304BC LEG	Cushion-rear seat-ambla/leather-Warm charcoal	1		
	3 GJA 5304BC NDR	Cushion-rear seat-ambla/leather-Cream	1		
	3 GJA 5304BC SDC	Cushion-rear seat-ambla/leather-Coffee	1		
	3 GJA 5304BC AGD	Cushion-rear seat-ambla/leather-Oatmeal	1		
	3 GJB 5304BA HDX	Cushion-rear seat-ambla/leather-Teal	1		
	3 GJB 5304BA LEG	Cushion-rear seat-ambla/leather-Warm charcoal	1		
	3 GJB 5304BA NED	Cushion-rear seat-ambla/leather-Ivory	1		
	3 GJB 5304BA SDZ	Cushion-rear seat-ambla/leather-Cashmere	1		
	3 GJB 5304BA AGD	Cushion-rear seat-ambla/leather-Oatmeal	1		
	4 GJA 5362BB HDX	Cushion cover-rear seat-ambla/leather-Teal	1] (1)	
	4 GJA 5362BB LEG	Cushion cover-rear seat-ambla/leather-Warm charcoal	1		
	4 GJA 5362BB NDR	Cushion cover-rear seat-ambla/leather-Cream	1		
	4 GJA 5362BB SDC	Cushion cover-rear seat-ambla/leather-Coffee	1		
	4 GJA 5362BB AGD	Cushion cover-rear seat-ambla/leather-Oatmeal	1		
	4 GJB 5362BA HDX	Cushion cover-rear seat-ambla/leather-Teal	1] (2)	
	4 GJB 5362BA LEG	Cushion cover-rear seat-ambla/leather-Warm charcoal	1		
	4 GJB 5362BA NED	Cushion cover-rear seat-ambla/leather-Ivory	1		
	4 GJB 5362BA SDZ	Cushion cover-rear seat-ambla/leather-Cashmere	1		
	4 GJB 5362BA AGD	Cushion cover-rear seat-ambla/leather-Oatmeal	1		
	DA 810051	Screw/washer	2		
	AK 610021	Spire nut	2		
	JZH 100008	Flange nut-assembly	2		



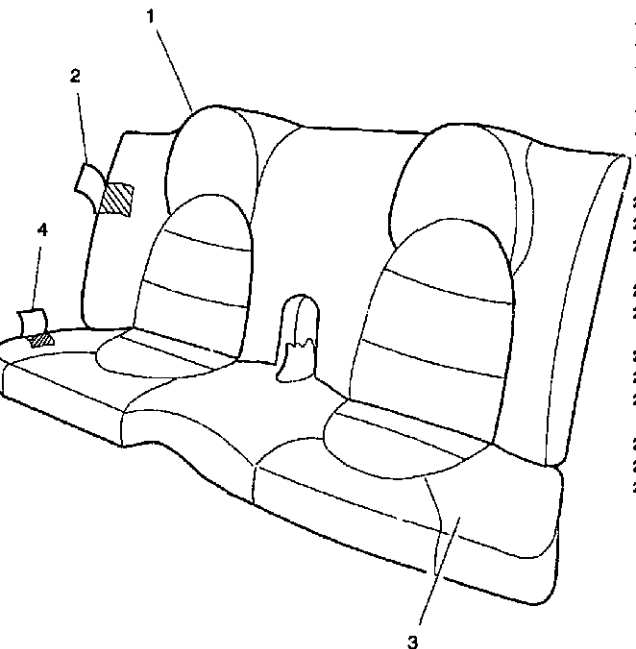
TT6243

CHANGE POINTS:

(1) To (V) 018107

(2) From (V) 018108

SEAT-REAR-SPORT-COUPÉ



Illus	Part Number	Description	Quantity	Change Point	Remarks
1	GJA 5517AA NEB	Squab-rear seat-sports cloth-Cream	1] (1).....	Coupe,Sports trim
1	GJA 5517AA AGF	Squab-rear seat-sports cloth-Oatmeal	1		
1	GJA 5517AA LGE	Squab-rear seat-sports cloth-Warm charcoal	1		
1	GJB 5517AA AGF	Squab-rear seat-sports cloth-Oatmeal	1] (2).....	
1	GJB 5517AA LGE	Squab-rear seat-sports cloth-Warm charcoal	1		
1	GJA 5517EA NDR	Squab-rear seat-embossed leather-Cream	1] (1).....	
1	GJA 5517EA AGD	Squab-rear seat-embossed leather-Oatmeal	1		
1	GJA 5517EA LEG	Squab-rear seat-embossed leather-Warm charcoal	1		
1	GJB 5517EA NED	Squab-rear seat-embossed leather-Ivory	1] (2).....	
1	GJB 5517EA AGD	Squab-rear seat-embossed leather-Oatmeal	1		
1	GJB 5517EA LEG	Squab-rear seat-embossed leather-Warm charcoal	1		
2	GJA 5581AA NEB	Squab cover-rear seat-sports cloth-Cream	1] (1).....	
2	GJA 5581AA AGF	Squab cover-rear seat-sports cloth-Oatmeal	1		
2	GJA 5581AA LGE	Squab cover-rear seat-sports cloth-Warm charcoal	1		
2	GJB 5581AA AGF	Squab cover-rear seat-sports cloth-Oatmeal	1] (2).....	
2	GJB 5581AA LGE	Squab cover-rear seat-sports cloth-Warm charcoal	1		
2	GJA 5581EA NDR	Squab cover-rear seat-embossed leather-Cream	1] (1).....	
2	GJA 5581EA AGD	Squab cover-rear seat-embossed leather-Oatmeal	1		
2	GJA 5581EA LEG	Squab cover-rear seat-embossed leather-Warm charcoal	1		
2	GJB 5581EA NED	Squab cover-rear seat-embossed leather-Ivory	1] (2).....	
2	GJB 5581EA AGD	Squab cover-rear seat-embossed leather-Oatmeal	1		
2	GJB 5581EA LEG	Squab cover-rear seat-embossed leather-Warm charcoal	1		

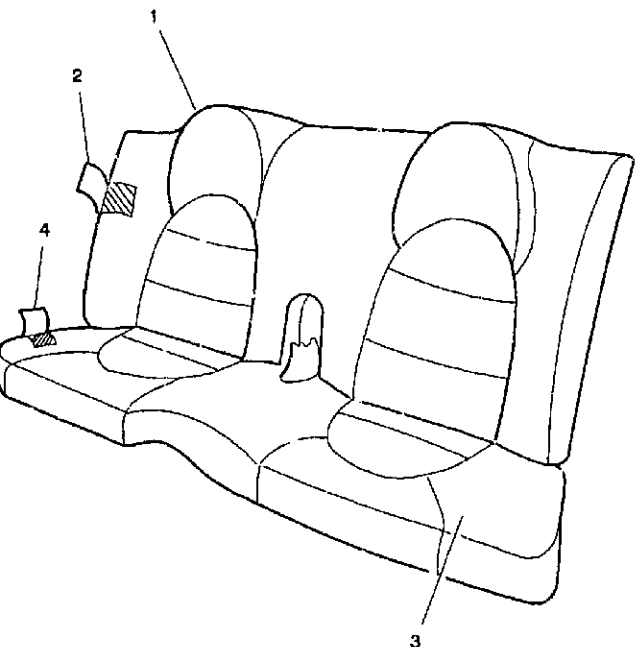
TT0244

CHANGE POINTS:

(1) To (V) 018107

(2) From (V) 018108

SEAT-REAR-SPORT-COUCHE



Illus	Part Number	Description	Quantity	Change Point	Remarks
3	GJA 5302AA LGE	Cushion-rear seat-sports cloth-Warm charcoal	1] (1).....	Coupe;Sports trim
3	GJA 5302AA NEB	Cushion-rear seat-sports cloth-Cream	1		
3	GJA 5302AA AGF	Cushion-rear seat-sports cloth-Oatmeal.....	1		
3	GJB 5302AA AGF	Cushion-rear seat-sports cloth-Oatmeal.....	1] (2).....	
3	GJB 5302AA LGE	Cushion-rear seat-sports cloth-Warm charcoal	1		
3	GJA 5302EA NDR	Cushion-rear seat-embossed leather-Coffee.....	1] (1).....	
3	GJA 5302EA AGD	Cushion-rear seat-embossed leather-Oatmeal.....	1		
3	GJA 5302EA LEG	Cushion-rear seat-embossed leather-Warm charcoal	1		
3	GJB 5302EA NED	Cushion-rear seat-embossed leather-Ivory	1] (2).....	
3	GJB 5302EA AGD	Cushion-rear seat-embossed leather-Oatmeal.....	1		
3	GJB 5302EA LEG	Cushion-rear seat-embossed leather-Warm charcoal	1		
4	GJA 5368AA AGF	Cushion cover-rear seat-sports cloth-Oatmeal	1] (1).....	
4	GJA 5368AA LGE	Cushion cover-rear seat-sports cloth-Warm charcoal	1		
4	GJA 5368AA NEB	Cushion cover-rear seat-sports cloth-Cream	1		
4	GJB 5368AA AGF	Cushion cover-rear seat-sports cloth-Oatmeal.....	1] (2).....	
4	GJB 5368AA LGE	Cushion cover-rear seat-sports cloth-Warm charcoal	1		
4	GJA 5368EA NDR	Cushion cover-rear seat-embossed leather-Cream	1] (1).....	
4	GJA 5368EA AGD	Cushion cover-rear seat-embossed leather-Oatmeal.....	1		
4	GJA 5368EA LEG	Cushion cover-rear seat-embossed leather-Warm charcoal	1		
4	GJB 5368EA NED	Cushion cover-rear seat-embossed leather-Ivory.....	1] (2).....	
4	GJB 5368EA AGD	Cushion cover-rear seat-embossed leather-Oatmeal.....	1		
4	GJB 5368EA LEG	Cushion cover-rear seat-embossed leather-Warm charcoal	1		
DA	610051	Screw/washer	2		
AK	610021	Spire nut	2		
JZH	100008	Flange nut-assembly	2		

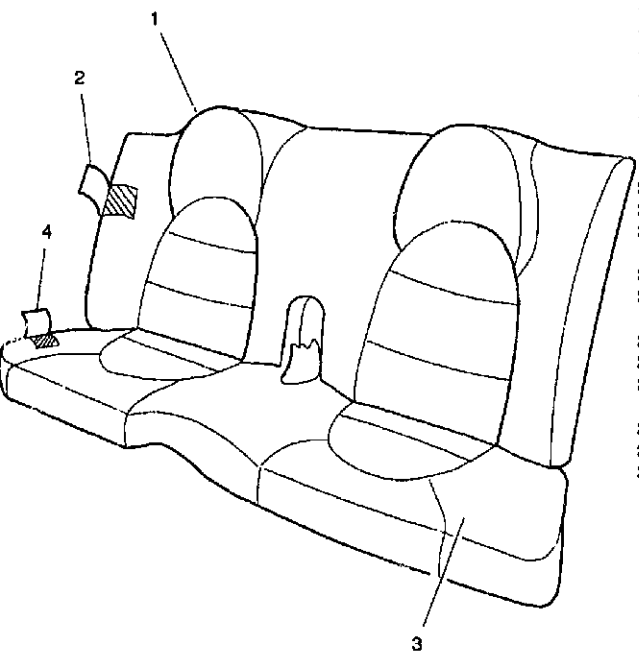
TT6244

CHANGE POINTS:

(1) To (V) 018107

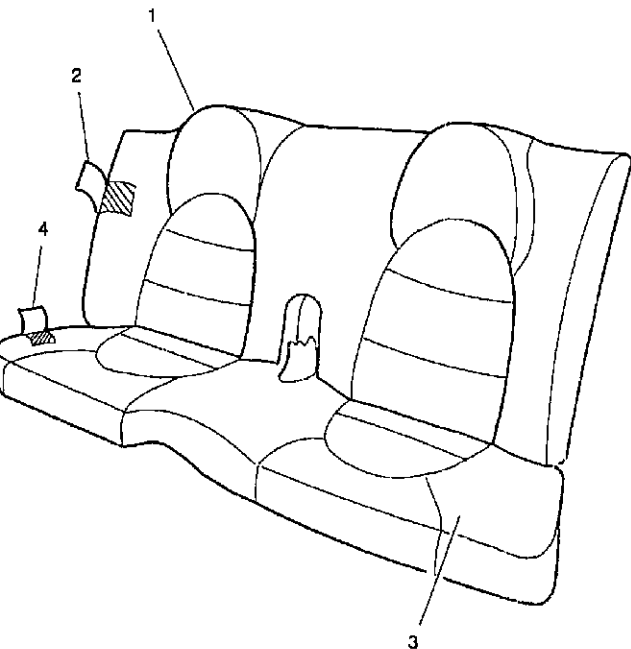
(2) From (V) 018108

Illus	Part Number	Description	Quantity	Change Point	Remarks
	1 GJA 5518AA NEB	Squab-rear seat-sports cloth-Cream	1] (1).....	Convertible 2+2; Sports trim
	1 GJA 5518AA AGF	Squab-rear seat-sports cloth-Oatmeal	1		
	1 GJA 5518AA LGE	Squab-rear seat-sports cloth-Warm charcoal	1		
	1 GJB 5518AA AGF	Squab-rear seat-sports cloth-Oatmeal	1] (2).....	
	1 GJB 5518AA LGE	Squab-rear seat-sports cloth-Warm charcoal	1		
	1 GJA 5518EA NDR	Squab-rear seat-embossed leather-Cream	1] (1).....	
	1 GJA 5518EA AGD	Squab-rear seat-embossed leather-Oatmeal	1		
	1 GJA 5518EA LEG	Squab-rear seat-embossed leather-Warm charcoal	1		
	1 GJB 5518EA NED	Squab-rear seat-embossed leather-Ivory	1] (2).....	
	1 GJB 5518EA AGD	Squab-rear seat-embossed leather-Oatmeal	1		
	1 GJB 5518EA LEG	Squab-rear seat-embossed leather-Warm charcoal	1		
	2 GJA 5582AA NEB	Squab cover-rear seat-sports cloth-Cream	1] (1).....	
	2 GJA 5582AA AGF	Squab cover-rear seat-sports cloth-Oatmeal	1		
	2 GJA 5582AA LGE	Squab cover-rear seat-sports cloth-Warm charcoal	1		
	2 GJB 5582AA AGF	Squab cover-rear seat-sports cloth-Oatmeal	1] (2).....	
	2 GJB 5582AA LGE	Squab cover-rear seat-sports cloth-Warm charcoal	1		
	2 GJA 5582EA NDR	Squab cover-rear seat-embossed leather-Cream	1] (1).....	
	2 GJA 5582EA AGD	Squab cover-rear seat-embossed leather-Oatmeal	1		
	2 GJA 5582EA LEG	Squab cover-rear seat-embossed leather-Warm charcoal ...	1		
	2 GJB 5582EA NED	Squab cover-rear seat-embossed leather-Ivory	1] (2).....	
	2 GJB 5582EA AGD	Squab cover-rear seat-embossed leather-Oatmeal	1		
	2 GJB 5582EA LEG	Squab cover-rear seat-embossed leather-Warm charcoal ...	1		



TT6245

CHANGE POINTS:
 (1) To (V) 018107
 (2) From (V) 018108



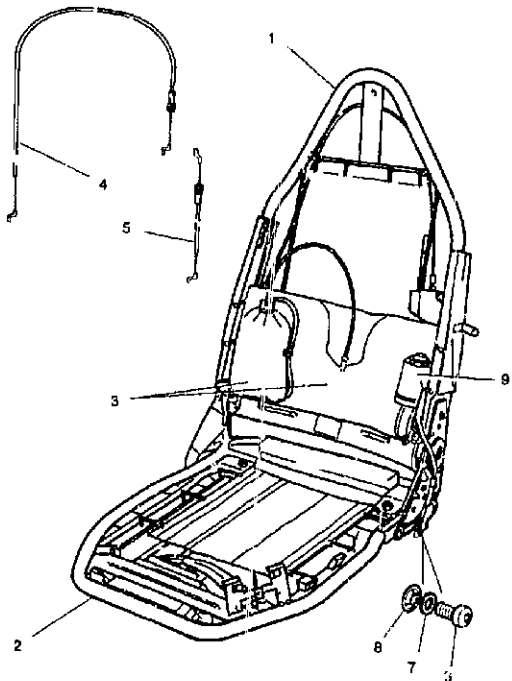
Illus	Part Number	Description	Quantity	Change Point	Remarks
3	GJA 5311AA NEB	Cushion-rear seat-sports cloth-Cream	1] (1).....	Convertible 2+2;Sports trim
3	GJA 5311AA AGF	Cushion-rear seat-sports cloth-Oatmeal.....	1		
3	GJA 5311AA LGE	Cushion-rear seat-sports cloth-Warm charcoal	1		
3	GJB 5311AA AGF	Cushion-rear seat-sports cloth-Oatmeal.....	1] (2).....	
3	GJB 5311AA LGE	Cushion-rear seat-sports cloth-Warm charcoal	1		
3	GJA 5311EA NDR	Cushion-rear seat-embossed leather-Cream	1] (1).....	
3	GJA 5311EA AGD	Cushion-rear seat-embossed leather-Oatmeal.....	1		
3	GJA 5311EA LEG	Cushion-rear seat-embossed leather-Warm charcoal	1		
3	GJB 5311EA NED	Cushion-rear seat-embossed leather-Ivory	1] (2).....	
3	GJB 5311EA AGD	Cushion-rear seat-embossed leather-Oatmeal.....	1		
3	GJB 5311EA LEG	Cushion-rear seat-embossed leather-Warm charcoal	1		
4	GJA 5369AA NEB	Cushion cover-rear seat-sports cloth-Cream	1] (1).....	
4	GJA 5369AA AGF	Cushion cover-rear seat-sports cloth-Oatmeal.....	1		
4	GJA 5369AA LGE	Cushion cover-rear seat-sports cloth-Warm charcoal	1		
4	GJB 5369AA AGF	Cushion cover-rear seat-sports cloth-Oatmeal.....	1] (2).....	
4	GJB 5369AA LGE	Cushion cover-rear seat-sports cloth-Warm charcoal	1		
4	GJA 5369EA NDR	Cushion cover-rear seat-embossed leather-Cream	1] (1).....	
4	GJA 5369EA AGD	Cushion cover-rear seat-embossed leather-Oatmeal.....	1		
4	GJA 5369EA LEG	Cushion cover-rear seat-embossed leather-Warm charcoal	1		
4	GJB 5369EA NED	Cushion cover-rear seat-embossed leather-Ivory.....	1] (2).....	
4	GJB 5369EA AGD	Cushion cover-rear seat-embossed leather-Oatmeal.....	1		
4	GJB 5369EA LEG	Cushion cover-rear seat-embossed leather-Warm charcoal	1		
DA	610051	Screw/washer	2		
AK	610021	Spire nut	2		
JZH	100008	Flange nut-assembly	2		

TT8245

CHANGE POINTS:
(1) To (V) 018107
(2) From (V) 018108

SEAT FRAME-FRONT

Illus	Part Number	Description	Quantity	Change Point	Remarks
1	GJA 4230CA	Squab frame-RH front seat.....	1	(1)	
1	GJA 4231CA	Squab frame-LH front seat.....	1		
1	GJA 4230CB	Squab frame-RH front seat.....	1	(2)	
1	GJA 4231CB	Squab frame-LH front seat.....	1		
2	GJA 4220BA	Cushion frame-RH front seat.....	1	(1)	
2	GJA 4221BA	Cushion frame-LH front seat.....	1		
2	GJA 4220BB	Cushion frame-RH front seat.....	1	(2)	
2	GJA 4221BB	Cushion frame-LH front seat.....	1		
3	GJA 4778AA	Lumbar adjuster-electronic.....	2	(3)	
3	GJA 4778AB	Lumbar adjuster-electronic.....	2	(4)	
4	BEC 9309	Trigger cable-long.....	2		
5	BEC 9308	Trigger cable-short.....	NLA		Use GHC4784AA.
6	JXL 106121	Set screw-torx head-M6 x 20mm.....	A/R		
7	WC 106046	Plain washer-M6.....	A/R		
8	JZW 100016	Star washer-M6.....	A/R		
9	GJA 4713AA	Recline mechanism motor-front seat.....	1		With memory
	GJA 4504AA	Protection cover-front seat.....	2		

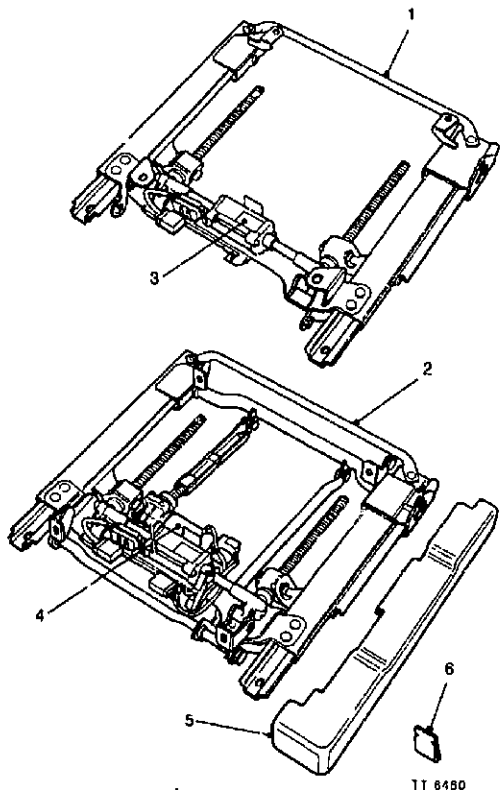


CHANGE POINTS:

- (1) To (V) 009850
- (2) From (V) 009851
- (3) To (V) 018107
- (4) From (V) 018108

SEAT SLIDE-FRONT

Illus	Part Number	Description	Quantity	Change Point	Remarks
	1 GJA 4802BA	Seat slide-RH.....	1] (1).....	Without memory
	1 GJA 4803BA	Seat slide-LH.....	1		
	1 GJB 4802BA	Seat slide-RH.....	1] (2).....	
	1 GJB 4803BA	Seat slide-LH.....	1		
	2 GJB 4800CC	Seat slide-RH.....	1] (1).....	Without memory; height rise
	2 GJB 4801CC	Seat slide-LH.....	1		
	2 GJB 4800CD	Seat slide-RH.....	1] (2).....	
	2 GJB 4801CD	Seat slide-LH.....	1		
	2 GJB 4800DC	Seat slide-RH.....	1] (1).....	With memory; height rise
	2 GJB 4801DC	Seat slide-LH.....	1		
	2 GJB 4800DD	Seat slide-RH.....	1] (2).....	
	2 GJB 4801DD	Seat slide-LH.....	1		
	3 GJA 4711CA	Seat slide motor -with potentiometer.....	1		
	4 GJA 4713SA	Rise and fall motor.....	1		
	5 GJA 4750ABAEK	Seat slide cover -RH-Sable.....	1		
	5 GJA 4750ABHDX	Seat slide cover -RH-Teal.....	1		
	5 GJA 4750ABLEG	Seat slide cover -RH-Warm charcoal.....	1		
	5 GJA 4750ABSDC	Seat slide cover -RH-Coffee.....	1	(1)	
	5 GJA 4751ABAEK	Seat slide cover -LH-Sable.....	1		
	5 GJA 4751ABHDX	Seat slide cover -LH-Teal.....	1		
	5 GJA 4751ABLEG	Seat slide cover -LH-Warm charcoal.....	1		
	5 GJA 4751ABSDC	Seat slide cover -LH-Coffee.....	1	(1)	
	6 JZE 100352	Spring clip-cover.....	2		
	BCC 9810	Torx head screw-M8 x 16mm.....	8		
	JZR 100154	Torx flange head screw-paint clearing-M8 X 28mm.....	8		
	C 21069	Washer.....	8		



TT 8480

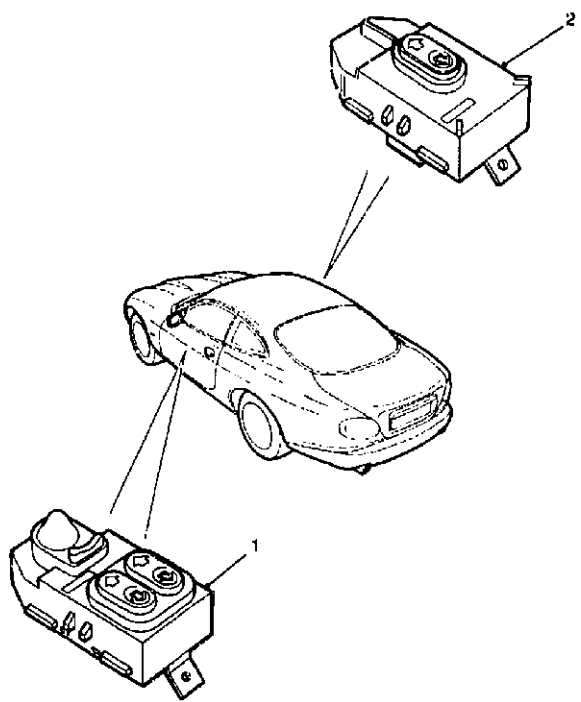
CHANGE POINTS:

(1) To (V) 018107

(2) From (V) 018108

DOOR SWITCHPACK

Illus	Part Number	Description	Quantity	Change Point	Remarks
	1 JLM 20581	Driver's door switchpack	1	(1)	
	1 LJA 6332AE	Driver's door switchpack	1	(2)	Power park mirror
	1 LJA 6332BB	Driver's door switchpack	1	(3)	Except power park mirror
	1 LJA 6332AG	Driver's door switchpack	1	(4)	
	CAC 1078	Plain washer	1		
	2 LJA 6382AB	Passenger door switchpack	1	(5)	
	2 LJA 6382AC	Passenger door switchpack	1	(6)	

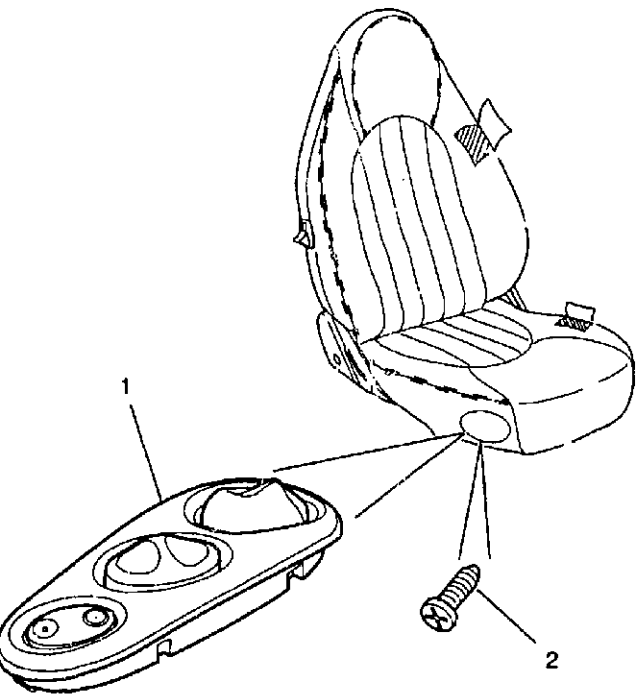


TN 8478

- CHANGE POINTS:
- (1) To (V) 010206
 - (2) To (V) 023845
 - (3) From (V) 010207 To (V) 023845
 - (4) From (V) 023848
 - (5) To (V) 010119
 - (6) From (V) 010120

SEAT SWITCH

Illus	Part Number	Description	Quantity	Change Point	Remarks
	1 LJA 6030BA LEG	Seat control switchpack-RH-Warm charcoal	1	(1).....	4 way seat adjustment
	1 LJA 6030BB NDR	Seat control switchpack-RH-Cream	1		
	1 LJA 6030BB SDC	Seat control switchpack-RH-Coffee.....	1		
	1 LJA 6030BA AGD	Seat control switchpack-RH-Oatmeal.....	1		
	1 LJA 6030BA HDX	Seat control switchpack-RH-Teal.....	1		
	1 LJA 6030BB LEG	Seat control switchpack-RH-Warm charcoal	1	(2).....	4 way seat adjustment
	1 LJA 6030BB NED	Seat control switchpack-RH-Ivory.....	1		
	1 LJA 6030BB SDZ	Seat control switchpack-RH-Cashmere.....	1		
	1 LJA 6030BB AGD	Seat control switchpack-RH-Oatmeal.....	1		
	1 LJA 6030BB HDX	Seat control switchpack-RH-Teal.....	1		
	1 LJB 6030AA LEG	Seat control switchpack-RH-Warm charcoal	1	(3).....	4 way seat adjustment
	1 LJB 6030AA NED	Seat control switchpack-RH-Ivory.....	1		
	1 LJB 6030AA SDZ	Seat control switchpack-RH-Cashmere.....	1		
	1 LJB 6030AA AGD	Seat control switchpack-RH-Oatmeal.....	1		
	1 LJB 6030AA HDX	Seat control switchpack-RH-Teal.....	1		
	1 LJA 6035BA LEG	Seat control switchpack-LH-Warm charcoal	1	(1).....	6 way seat adjustment
	1 LJA 6035BB NDR	Seat control switchpack-LH-Cream	1		
	1 LJA 6035BB SDC	Seat control switchpack-LH-Coffee.....	1		
	1 LJA 6035BA AGD	Seat control switchpack-LH-Oatmeal.....	1		
	1 LJA 6035BA HDX	Seat control switchpack-LH-Teal.....	1		
	1 LJA 6035BB LEG	Seat control switchpack-LH-Warm charcoal	1	(2).....	6 way seat adjustment
	1 LJA 6035BB NED	Seat control switchpack-LH-Ivory.....	1		
	1 LJA 6035BB SDZ	Seat control switchpack-LH-Cashmere.....	1		
	1 LJA 6035BB AGD	Seat control switchpack-LH-Oatmeal.....	1		
	1 LJA 6035BB HDX	Seat control switchpack-LH-Teal.....	1		
	1 LJB 6035AA LEG	Seat control switchpack-LH-Warm charcoal	1	(3).....	6 way seat adjustment
	1 LJB 6035AA NED	Seat control switchpack-LH-Ivory.....	1		
	1 LJB 6035AA SDZ	Seat control switchpack-LH-Cashmere.....	1		
	1 LJB 6035AA AGD	Seat control switchpack-LH-Oatmeal.....	1		
	1 LJB 6035AA HDX	Seat control switchpack-LH-Teal.....	1		
	2 JDA 60804B	Screw-self tapping	A/R		



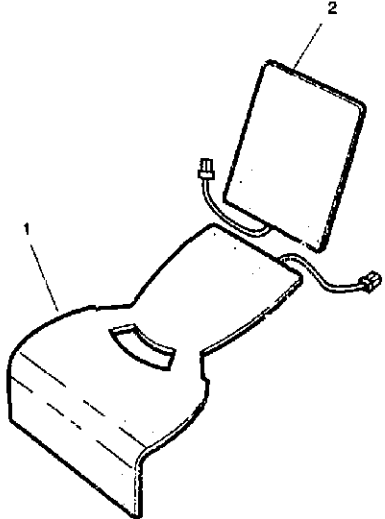
T76288

CHANGE POINTS:

- (1) To (V) 018107
- (2) From (V) 01810E To (V) 024686
- (3) From (V) 024687

SEAT HEATER

Illus	Part Number	Description	Quantity	Change Point	Remarks
1	LJA 2700AA	Cushion heater element.....	A/R	} Seat heater
2	LJA 2708AA	Squab heater element.....	A/R	



TT8645

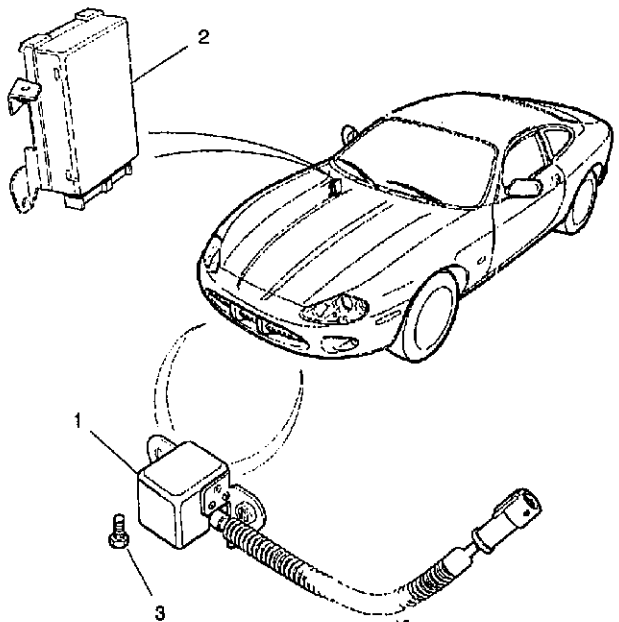
MASTER INDEX	
ENGINE	1 D
ENGINE MANAGEMENT/EMISSION SYSTEMS	1 F
AIR AND FUEL DELIVERY SYSTEMS	1 G
ENGINE COOLING SYSTEM	1 H
EXHAUST SYSTEM AND COMPONENTS	1 I
TRANSMISSION AND DRIVELINE	1 J
STEERING AND SUSPENSION	1 K
BRAKING SYSTEM	1 M
AIR CONDITIONING/HEATING/VENTILATION	1 N
WIPER AND WASHER SYSTEMS	1 O
ELECTRICAL DISTRIBUTION SYSTEM	2 C
INFORMATION SYSTEMS AND CONTROLS	2 E
BATTERY/STARTER MOTOR/ALTERNATOR	2 F
IN CAR ENTERTAINMENT	2 G
LIGHTING - EXTERIOR/INTERIOR	2 H
LOCKING/SECURITY SYSTEMS/HORNS	2 I
SEATING	2 J
OCCUPANT RESTRAINTS	2 L
INTERIOR TRIM AND LININGS	2 M
EXTERIOR FITTINGS AND SUNROOF	3 C
BODY CLOSURES AND SEALING	3 D
BODY METAL PANELS AND SEALING	3 G
ACCESSORIES/CONSUMABLES/INDEX	3 H

GROUP INDEX	
FRONT SEATBELTS AND FIXINGS	2. L 04
REAR SEATBELTS AND FIXINGS	2. L 07
SUPPLEMENTARY AIRBAG RESTRAINT	2. L 02

AIRBAG SENSORS	2. L 02
PASSENGER AIRBAG	2. L 03
SEATBELT-FRONT	2. L 04
SEATBELT-REAR-CONVERTIBLE	2. L 08
SEATBELT-REAR-COUPE	2. L 07

AIRBAG SENSORS

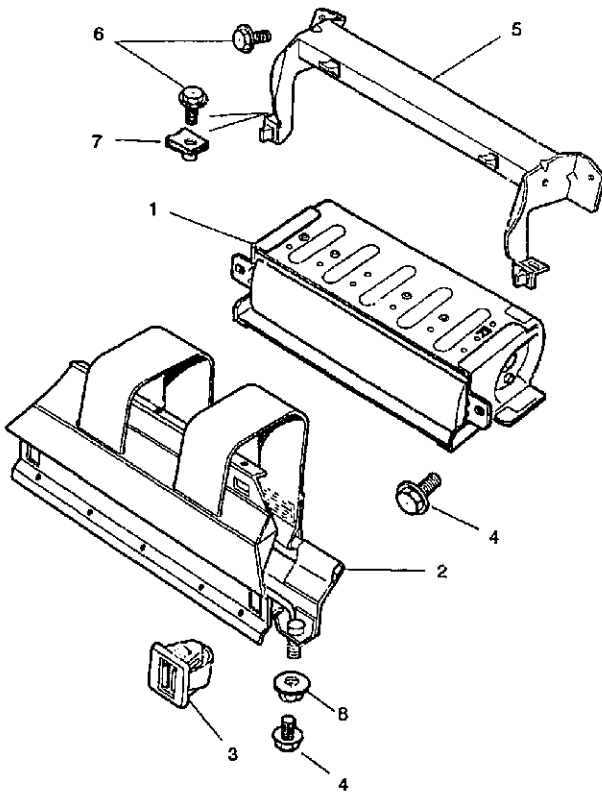
Illus	Part Number	Description	Quantity	Change Point	Remarks
1	HJA 9880AA	Airbag sensor-front	2		
2	HJA 9662AA	Electronic control module-airbag	1		
3	JZS 100130	Flanged head screw-M6 x 14mm	3		



TU6089

PASSENGER AIRBAG

Illustration	Part Number	Description	Quantity	Change Point	Remarks
	1 HNA 9670BA	Passenger airbag module.....	1	(1)	
	1 HJB 9670AA	Passenger airbag module.....	1	(2)	
	2 HJA 9007EA	Airbag deployment door.....	1		
	3 KZL 100002	Pocket latch	4		
	4 JSH 10614CPJ	Bolt and washer	6		
	5 HJA 8997DA	Mounting frame-passenger airbag.....	1		
	6 FS 105161J	Set screw-M5.....	4		
	7 JJK 105011	Captive nut.....	2		
	8 JZH 100067	Nut and washer -M6.....	2		



TU6333

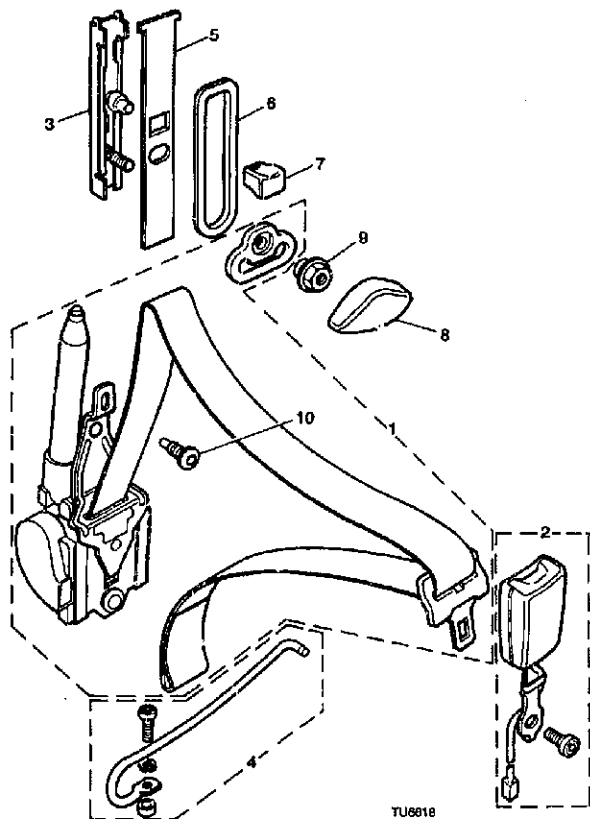
CHANGE POINTS:

(1) To (V) 023699

(2) From (V) 023700

SEATBELT-FRONT

Illus	Part Number	Description	Quantity	Change Point	Remarks
	1 HJA 7010AB AGD	Seatbelt-assembly-RH front-automatic locking retractor- 1 Oatmeal	1		
	1 HJA 7010AB HDX	Seatbelt-assembly-RH front-automatic locking retractor- 1 Teal	1		
	1 HJA 7010AB LEG	Seatbelt-assembly-RH front-automatic locking retractor- 1 Warm charcoal	1		
	1 HJA 7010AB AEK	Seatbelt-assembly-RH front-automatic locking retractor- 1 Sable.....	1		
	1 HJA 7055AB AGD	Seatbelt-assembly-LH front-Oatmeal	1		
	1 HJA 7055AB HDX	Seatbelt-assembly-LH front-Teal	1		
	1 HJA 7055AB LEG	Seatbelt-assembly-LH front-Warm charcoal	1		
	1 HJA 7055AB AEK	Seatbelt-assembly-LH front-Sable	1		
	2 HJA 7012CA AGD	Seatbelt buckle-front-driver's side-Oatmeal	1] (1)	
	2 HJA 7012CA HDX	Seatbelt buckle-front-driver's side-Teal	1		
	2 HJA 7012CA LEG	Seatbelt buckle-front-driver's side-Warm charcoal	1		
	2 HJA 7012CA AEK	Seatbelt buckle-front-driver's side-Sable	1		
	2 HJB 7012CA AGD	Seatbelt buckle-front-driver's side-Oatmeal	1] (2)	
	2 HJB 7012CA HDX	Seatbelt buckle-front-driver's side-Teal	1		
	2 HJB 7012CA LEG	Seatbelt buckle-front-driver's side-Warm charcoal	1		
	2 HJB 7012CA AEK	Seatbelt buckle-front-driver's side-Sable	1		
	2 HJA 7012DA AGD	Seatbelt buckle-front-passenger side-Oatmeal	1		
	2 HJA 7012DA HDX	Seatbelt buckle-front-passenger side-Teal.....	1		
	2 HJA 7012DA LEG	Seatbelt buckle-front-passenger side-Warm charcoal	1		
	2 HJA 7012DA AEK	Seatbelt buckle-front-passenger side-Sable	1		
	3 HJA 7044AB	Seatbelt height adjuster-assembly.....	2] (1).....] Coupe (2).....]	
	3 HJA 7044AC	Seatbelt height adjuster-assembly.....	2		
	4 HJA 7040AA	Seatbelt slider bar-RH	1		
	4 HJA 7041AA	Seatbelt slider bar-LH.....	1		



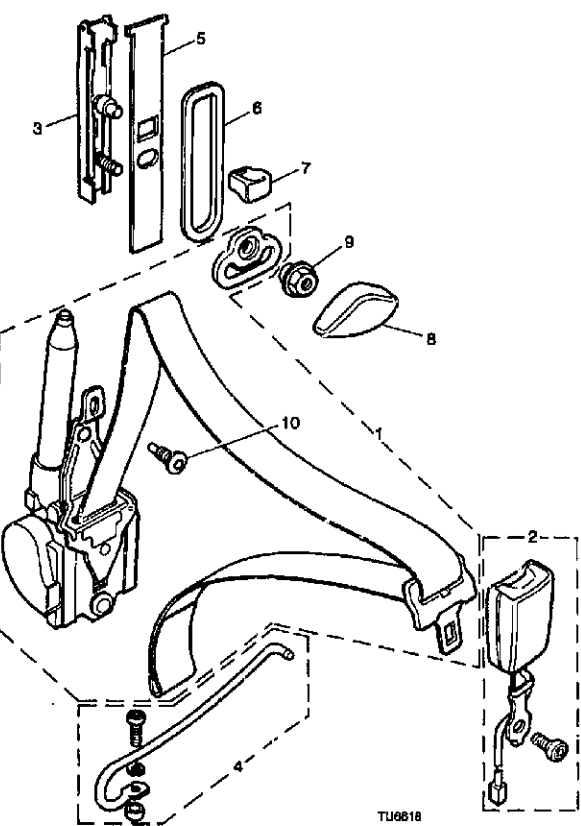
CHANGE POINTS:

(1) To (V) 918107

(2) From (V) 018108

SEATBELT-FRONT

Illus	Part Number	Description	Quantity	Change Point	Remarks
	5 GJA 2488AC HDX	Seatbelt slider shield-Teal.....	2] Coupe
	5 GJA 2488AC LEG	Seatbelt slider shield-Warm charcoal	2		
	5 GJA 2488AC AGD	Seatbelt slider shield-Oatmeal.....	2		
	5 GJA 2488AC NDR	Seatbelt slider shield-Cream	2	(1).....	
	5 GJA 2488AC SDC	Seatbelt slider shield-Coffee.....	2		
	5 GJA 2488AC NED	Seatbelt slider shield-Ivory.....	2	(2).....] Coupe
	5 GJA 2488AC SDZ	Seatbelt slider shield-Cashmere.....	2	(2).....	
	8 GJA 2488AC HDX	Seatbelt slider bezel-Teal.....	2] Coupe
	8 GJA 2488AC LEG	Seatbelt slider bezel-Warm charcoal	2		
	8 GJA 2488AC AGD	Seatbelt slider bezel-Oatmeal.....	2		
	8 GJA 2488AC NDR	Seatbelt slider bezel-Cream	2	(1).....	
	8 GJA 2488AC SDC	Seatbelt slider bezel-Coffee.....	2		
	8 GJA 2488AC NED	Seatbelt slider bezel-Ivory.....	2	(2).....] Coupe
	8 GJA 2488AC SDZ	Seatbelt slider bezel-Cashmere.....	2		
	7 HJA 7140AA AGD	Seatbelt adjust knob-Oatmeal	2] Coupe
	7 HJA 7140AA LEG	Seatbelt adjust knob-Warm charcoal	2		
	7 HJA 7140AA AEK	Seatbelt adjust knob-Sable.....	2		
	7 HJA 7140AA HDX	Seatbelt adjust knob-Teal.....	2		
	8 HJA 7150AA AGD	Seatbelt cap-Oatmeal.....	2	(3).....] Coupe
	8 HJA 7150AA HDX	Seatbelt cap-Teal.....	2		
	8 HJA 7150AA LEG	Seatbelt cap-Warm charcoal	2		
	8 HJA 7150AA AEK	Seatbelt cap-Sable	2		
	8 HND 7150AA AGD	Seatbelt cap-Oatmeal.....	2	(4).....] Coupe
	8 HND 7150AA HDX	Seatbelt cap-Teal.....	2		
	8 HND 7150AA LEG	Seatbelt cap-Warm charcoal	2		
	8 HND 7150AA AEK	Seatbelt cap-Sable	2		

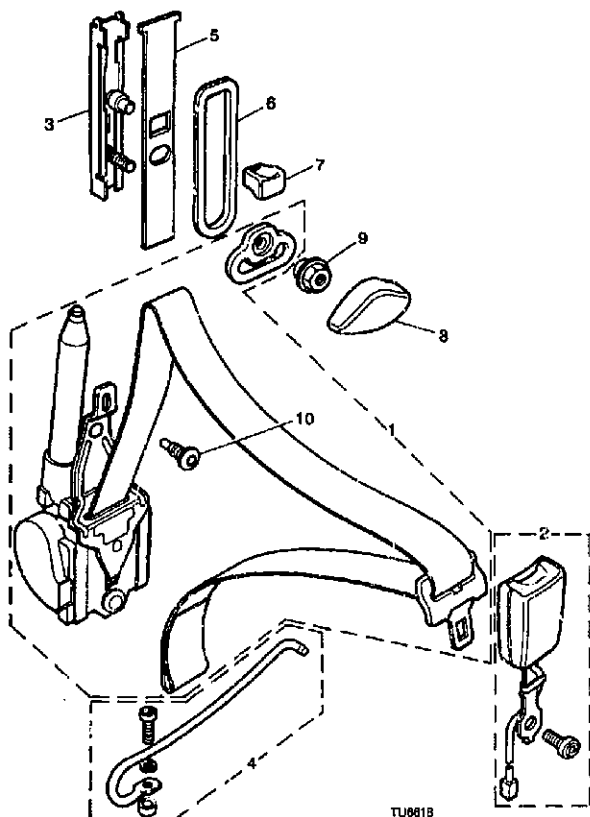


TU8618

CHANGE POINTS:
 (1) To (V) 018107
 (2) From (V) 018108
 (3) To (V) 018228
 (4) From (V) 018229

SEATBELT-FRONT

Illus	Part Number	Description	Quantity	Change Point	Remarks
	9 HJA 7141AA	Collar nut-seatbelt slider	2	(1).....	Coupe
	9 HNC 7141AA	Collar nut-seatbelt slider	2	(2).....	
	10 HJA 7142AB	Pin-pre tensioner arming	2	(3)	
	10 HJA 7142CA	Pin-pre tensioner arming	2	(4)	
	JZS 100152	Pan head screw-M10 x 40mm	2		



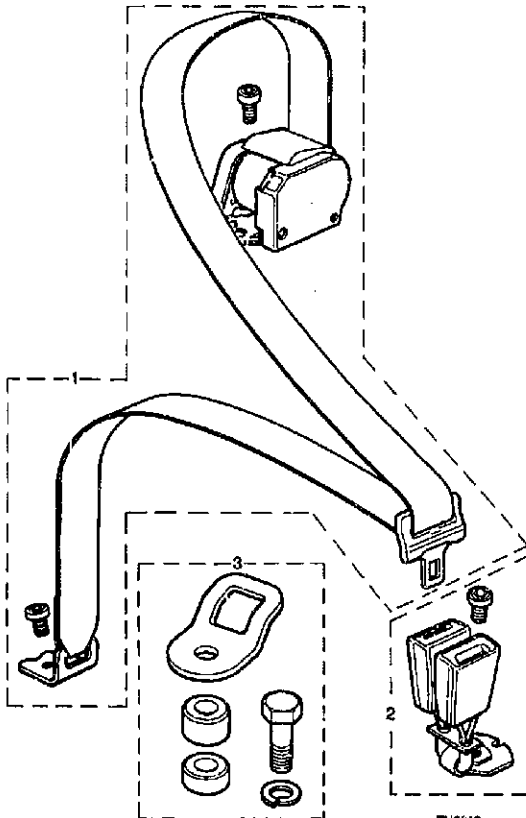
TU881B

CHANGE POINTS:

- (1) To (V) 023847
- (2) From: (V) 023848
- (3) To (V) 016955
- (4) From (V) 016956

SEATBELT-REAR-COUPÉ

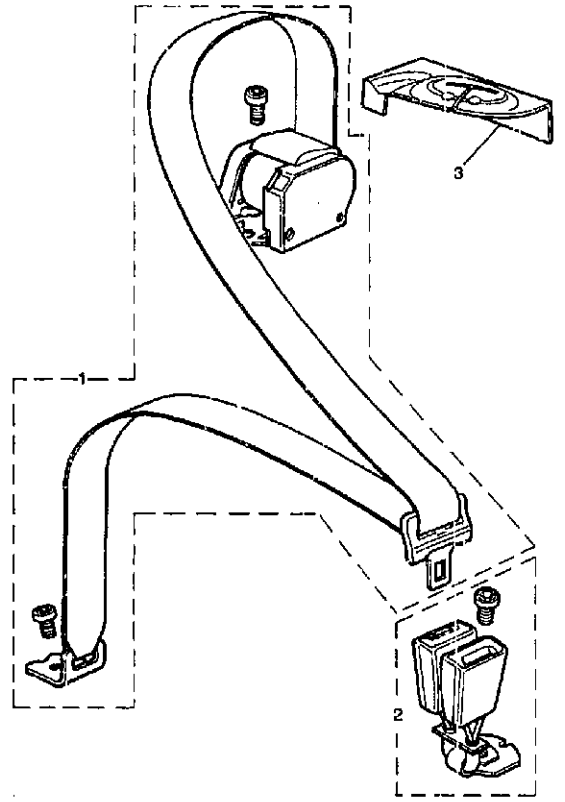
Illus	Part Number	Description	Quantity	Change Point	Remarks
	1 HJA 7081AB AGD	Seatbelt-assembly-rear-automatic locking retractor-Oatmeal..... 2			
	1 HJA 7081AB HDX	Seatbelt-assembly-rear-automatic locking retractor-Teal..... 2			
	1 HJA 7081AB LEG	Seatbelt-assembly-rear-automatic locking retractor-Warm charcoal..... 2			
	1 HJA 7081AB AEK	Seatbelt-assembly-rear-automatic locking retractor-Sable..... 2			
	2 HJA 7090AA AGD	Twin seatbelt buckle-rear-Oatmeal..... 1			
	2 HJA 7090AA HDX	Twin seatbelt buckle-rear-Teal..... 1			
	2 HJA 7090AA LEG	Twin seatbelt buckle-rear-Warm charcoal..... 1			
	2 HJA 7090AA AEK	Twin seatbelt buckle-rear-Sable..... 1			
	3 HJA 2100AA	Child restraint tether bracket kit..... 1		 Canada



TU8619

SEATBELT-REAR-CONVERTIBLE

Qty	Part Number	Description	Quantity	Change Point	Remarks
1	HJA 7081BB AGD	Seatbelt-assembly-rear-automatic locking retractor-Oatmeal.....	2		
1	HJA 7081BB HDX	Seatbelt-assembly-rear-automatic locking retractor-Teal.....	2		
1	HJA 7081BB LEG	Seatbelt-assembly-rear-automatic locking retractor-Warm charcoal.....	2		
1	HJA 7081BB AEK	Seatbelt-assembly-rear-automatic locking retractor-Sable.....	2		
2	HJA 7090AA AGD	Twin seatbelt buckle-rear-Oatmeal.....	1		
2	HJA 7090AA HDX	Twin seatbelt buckle-rear-Teal.....	1		
2	HJA 7090AA LEG	Twin seatbelt buckle-rear-Warm charcoal.....	1		
2	HJA 7090AA AEK	Twin seatbelt buckle-rear-Sable.....	1		
3	HJA 7106BB AGD	Seatbelt escutcheon-RH rear-Oatmeal.....	1		
3	HJA 7106BB HDX	Seatbelt escutcheon-RH rear-Teal.....	1		
3	HJA 7106BB LEG	Seatbelt escutcheon-RH rear-Warm charcoal.....	1		
3	HJA 7106BB NDR	Seatbelt escutcheon-RH rear-Cream.....	1	(1)	
3	HJA 7106BB SDC	Seatbelt escutcheon-RH rear-Coffee.....	1		
3	HJA 7106BB NED	Seatbelt escutcheon-RH rear-Ivory.....	1	(2)	
3	HJA 7106BB SDZ	Seatbelt escutcheon-RH rear-Cashmere.....	1		
3	HJA 7107BB AGD	Seatbelt escutcheon-LH rear-Oatmeal.....	1		
3	HJA 7107BB HDX	Seatbelt escutcheon-LH rear-Teal.....	1		
3	HJA 7107BB LEG	Seatbelt escutcheon-LH rear-Warm charcoal.....	1		
3	HJA 7107BB NDR	Seatbelt escutcheon-LH rear-Cream.....	1	(1)	
3	HJA 7107BB SDC	Seatbelt escutcheon-LH rear-Coffee.....	1		
3	HJA 7107BB NED	Seatbelt escutcheon-LH rear-Ivory.....	1	(2)	
3	HJA 7107BB SDZ	Seatbelt escutcheon-LH rear-Cashmere.....	1		



TU6620

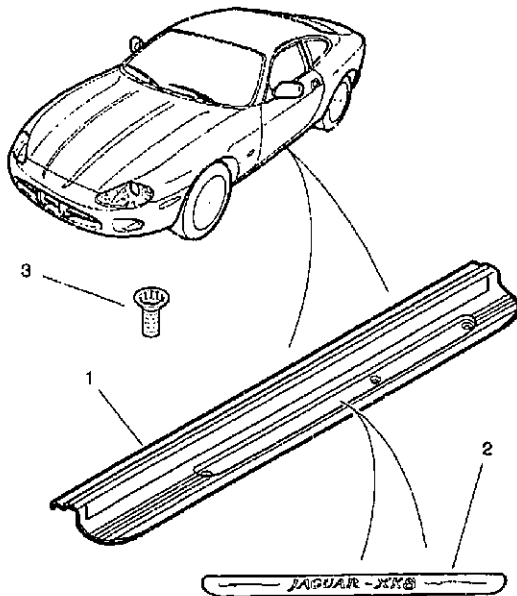
CHANGE POINTS:
(1) To (V) 018107
(2) From (V) 018108

MASTER INDEX	GROUP INDEX	
ENGINE..... 1 F		
ENGINE MANAGEMENT/EMISSION SYSTEMS..... 1 F	BODY INTERIOR FIXTURES AND FITTINGS... 2. M 03	CARPET-CONVERTIBLE 2. N 12
AIR AND FUEL DELIVERY SYSTEMS..... 1 G	CENTRE CONSOLE 2. M 05	CARPET-COUPÉ..... 2. N 09
ENGINE COOLING SYSTEM..... 1 H	DOOR INTERIOR TRIM AND FINISHERS 2. M 16	CENTRE CONSOLE AND ARMREST-FRONT ... 2. M 05
EXHAUST SYSTEM AND COMPONENTS 1 I	FACIA 2. N 04	DOOR CASING AND ARMREST 2. M 16
TRANSMISSION AND DRIVELINE..... 1 J	FLOOR COVERINGS/CARPETS..... 2. N 09	DRIVERS STOWAGE AND KNEE BOLSTER ... 2. O 04
STEERING AND SUSPENSION..... 1 K	GLOVEBOX 2. O 03	FACIA PANEL 2. N 04
BRAKING SYSTEM..... 1 M	HEADLININGS AND SUNVISORS 2. O 05	FOOTREST ASSEMBLY..... 2. M 03
AIR CONDITIONING/HEATING/VENTILATION..... 1 N	INSULATION/LINERS..... 2. N 17	GLOVEBOX 2. O 03
WIPER AND WASHER SYSTEMS..... 1 O	PARCEL SHELF AND SUNBLINDS..... 2. O 08	HEADER RAIL AND A-POST TRIM..... 2. O 07
ELECTRICAL DISTRIBUTION SYSTEM..... 2 C	QUARTER CASINGS 2. M 09	HEADLINING AND A-POST TRIM-COUPÉ ... 2. O 06
INFORMATION SYSTEMS AND CONTROLS..... 2 E	REAR VIEW MIRRORS..... 2. N 03	IN CAR VENEER SET 2. N 08
BATTERY/STARTER MOTOR/ALTERNATOR..... 2 F	TREADPLATES 2. M 02	PARCEL SHELF-REAR-COUPÉ 2. O 08
IN CAR ENTERTAINMENT..... 2 G	VENEERS AND WOOD SETS 2. N 08	QUARTER CASING-REAR-CONVERTIBLE ... 2. M 13
LIGHTING - EXTERIOR/INTERIOR 2 H		QUARTER CASING-REAR-COUPÉ..... 2. M 09
LOCKING/SECURITY SYSTEMS/HORNS..... 2 I		REAR VIEW MIRROR 2. N 03
SEATING..... 2 J		ROOF CONSOLE 2. M 04
OCCUPANT RESTRAINTS..... 2 L		SOUND DEADENING-INTERIOR 2. O 02
INTERIOR TRIM AND LININGS 2 M		SOUND DEADENING-UNDER BONNET 2. N 18
EXTERIOR FITTINGS AND SUNROOF..... 3 C		SUNVISOR 2. O 05
BODY CLOSURES AND SEALING 3 D		TREADPLATE 2. M 02
BODY METAL PANELS AND SEALING..... 3 G		TRUNK CARPET 2. N 15
ACCESSORIES/CONSUMABLES/INDEX 3 H		TRUNK LID LINER..... 2. N 17

TREADPLATES

TREADPLATE

Illus	Part Number	Description	Quantity	Change Point	Remarks
	1 HJA 6060AB	Treadplate-RH.....	1		
	1 HJA 6061AB	Treadplate-LH.....	1		
	2 HJA 6034AD	Treadplate insert.....	2	(1)	
	2 HJB 6034AA	Treadplate insert.....	2	(2)	
	3 BD 48977	Paint clearing screw-M6.....	6		



TV6201

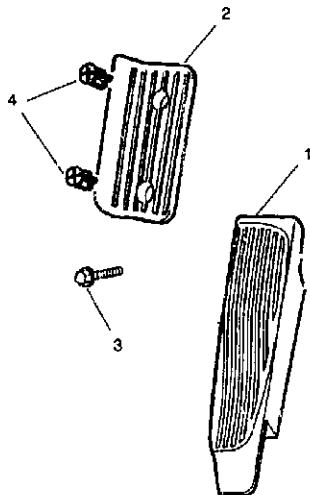
CHANGE POINTS:

(1) To (V) 024686

(2) From (V) 024687

FOOTREST ASSEMBLY

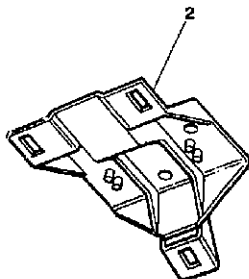
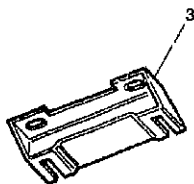
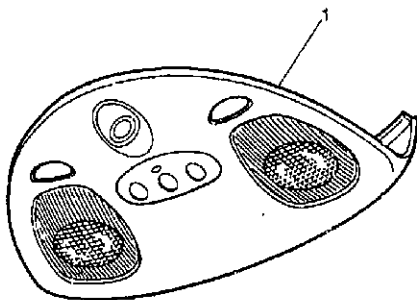
Illus	Part Number	Description	Quantity	Change Point	Remarks
1	GJA 9660CC	Footrest-assembly-low rest.....	1		
2	GJA 9668AB	Footrest support-support plate	1		
3	JZS 100156	Paint clearing screw.....	2		
4	GJA 9672AA	Plug.....	2		
	GJA 9684AA	Footrest bracket.....	1		



TV6238

ROOF CONSOLE

Illus	Part Number	Description	Quantity	Change Point	Remarks
	1 HJA 2020AALFJ	Roof console-without glass break sensor-Nimbus grey.....	1	(1)..... (2)..... (3).....	Garage door opener
	1 HJA 2020AAAGD	Roof console-without glass break sensor-Oatmeal.....	1		
	1 HJA 2020ACLFJ	Roof console-without glass break sensor-Nimbus grey.....	1		
	1 HJA 2020ACAGD	Roof console-without glass break sensor-Oatmeal.....	1		
	1 HJB 2020AALFJ	Roof console-without glass break sensor-Nimbus grey.....	1		
	1 HJB 2020AAAGD	Roof console-without glass break sensor-Oatmeal.....	1		
	1 HJA 2021AALFJ	Roof console-with glass break sensor-Nimbus grey.....	1	(1)..... (2)..... (3).....	Except garage door opener
	1 HJA 2021AAAGD	Roof console-with glass break sensor-Oatmeal.....	1		
	1 HJA 2021ACLFJ	Roof console-with glass break sensor-Nimbus grey.....	1		
	1 HJA 2021ACAGD	Roof console-with glass break sensor-Oatmeal.....	1		
	1 HJB 2021AALFJ	Roof console-with glass break sensor-Nimbus grey.....	1		
	1 HJB 2021AAAGD	Roof console-with glass break sensor-Oatmeal.....	1		
	2 HJA 2058AB	Mounting bracket-roof console.....	1		Coupe
	3 HJA 2J57AE	Mounting bracket-roof console.....	1		Convertible 2+2



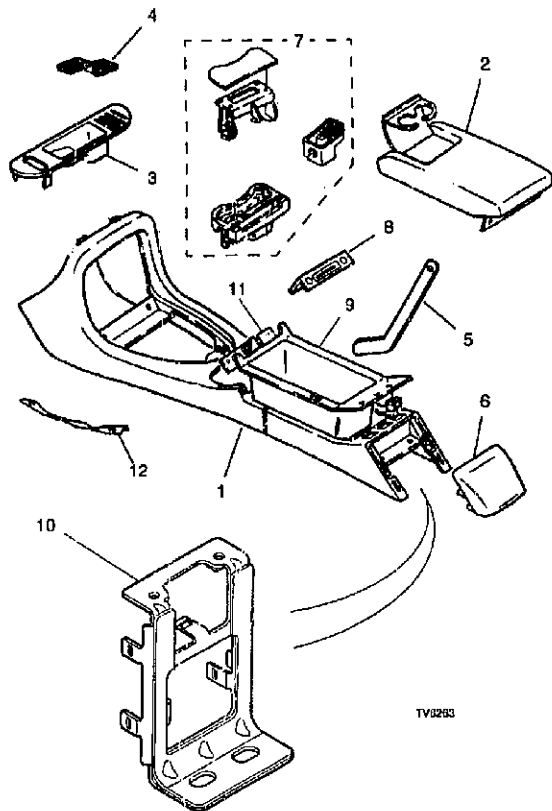
TV 8473

CHANGE POINTS:

- (1) To (V) 012549
- (2) From (V) 012550 To (V) 024686
- (3) From (V) 024687

CENTRE CONSOLE AND ARMREST-FRONT

Illus	Part Number	Description	Quantity	Change Point	Remarks	
	1 GJA 7610AA HDX	Centre console-ambla-Teal.....	1] (1)		
	1 GJA 7610AA LEG	Centre console-ambla-Warm charcoal	1			
	1 GJA 7610AA NDR	Centre console-ambla-Cream	1			
	1 GJA 7610AA SDC	Centre console-ambla-Coffee	1			
	1 GJA 7610AA AGD	Centre console-ambla-Oatmeal.....	1			
	1 GJB 7610BA HDX	Centre console-ambla-Teal.....	1] (2).....] Classic trim	
	1 GJB 7610BA LEG	Centre console-ambla-Warm charcoal	1			
	1 GJB 7610BA NED	Centre console-ambla-Ivory.....	1			
	1 GJB 7610BA SDZ	Centre console-ambla-Cashmere.....	1			
	1 GJB 7610BA AGD	Centre console-ambla-Oatmeal.....	1			
	1 GJB 7610AA LEG	Centre console-ambla-contrast stitching-Warm charcoal	1] (2).....] Sports trim	
	1 GJB 7610AA NED	Centre console-ambla-contrast stitching-Ivory	1			
	1 GJB 7610AA AGD	Centre console-ambla-contrast stitching-Oatmeal.....	1			



TV9263

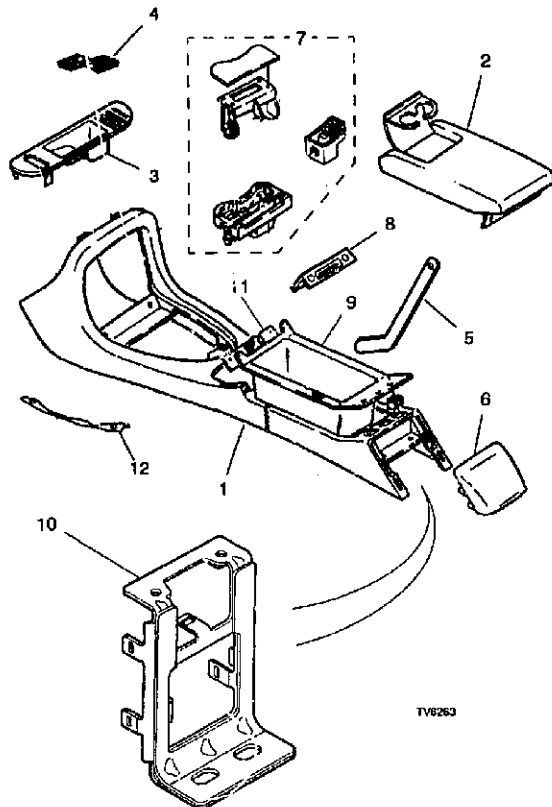
CHANGE POINTS:

(1) To (V) 018107

(2) From (V) 018108

CENTRE CONSOLE AND ARMREST-FRONT

Illus	Part Number	Description	Quantity	Change Point	Remarks
	2 GNA 7681AA AGD	Console lid -Oatmeal.....	1		Classic trim;except cup holder
	2 GNA 7681AA HDX	Console lid -Teal.....	1		
	2 GNA 7681AA LEG	Console lid -Warm charcoal.....	1		
	2 GNA 7681AA NDR	Console lid -Cream.....	1	(1)	
	2 GNA 7681AA SDC	Console lid -Coffee.....	1	(2)	
	2 GNA 7681AA NED	Console lid -Ivory.....	1		
	2 GNA 7681AA SDZ	Console lid -Cashmere.....	1		
	2 GNA 7670BG AGD	Console lid -Oatmeal.....	1	(1)	Cup holder;Classic trim
	2 GNA 7670BG HDX	Console lid -Teal.....	1		
	2 GNA 7670BG LEG	Console lid -Warm charcoal.....	1		
	2 GNA 7670BG NDR	Console lid -Cream.....	1		
	2 GNA 7670BG SDC	Console lid -Coffee.....	1		
	2 GNA 7670BH AGD	Console lid -Oatmeal.....	1	(3)	Cup holder;Classic trim
	2 GNA 7670BH HDX	Console lid -Teal.....	1		
	2 GNA 7670BH LEG	Console lid -Warm charcoal.....	1		
	2 GNA 7670BH NED	Console lid -Ivory.....	1		
	2 GNA 7670BH SDZ	Console lid -Cashmere.....	1		
	2 GNA 7670BJ AGD	Console lid -Oatmeal.....	1	(4)	Cup holder;Classic trim
	2 GNA 7670BJ HDX	Console lid -Teal.....	1		
	2 GNA 7670BJ LEG	Console lid -Warm charcoal.....	1		
	2 GNA 7670BJ NED	Console lid -Ivory.....	1		
	2 GNA 7670BJ SDZ	Console lid -Cashmere.....	1		

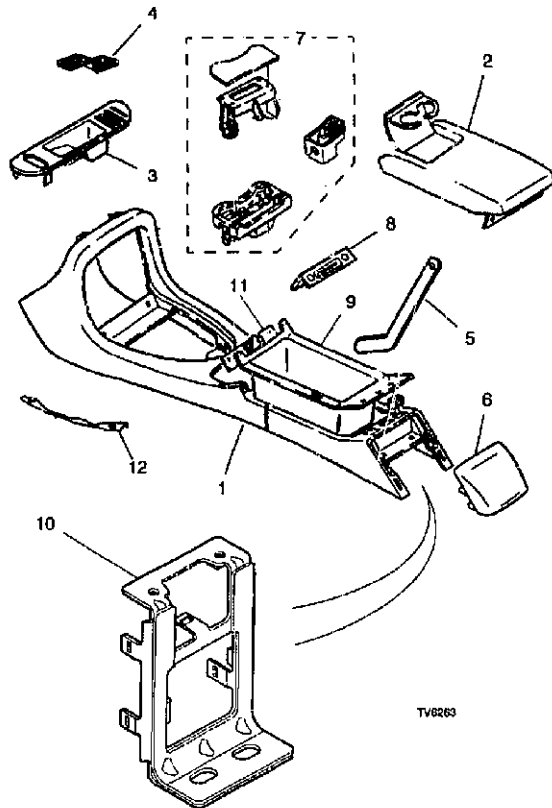


CHANGE POINTS:

- (1) To (V) 018107
- (2) From (V) 018108
- (3) From (V) 018108 To (V) 022521
- (4) From (V) 022522

CENTRE CONSOLE AND ARMREST-FRONT

Illus	Part Number	Description	Quantity	Change Point	Remarks
	2 GJA 7681AA AGD	Console lid -contrast stitching-Oatmeal.....	1] Sports trim;except cup holder
	2 GJA 7681AA LEG	Console lid -contrast stitching-Warm charcoal	1	
	2 GJA 7681AA NDR	Console lid -contrast stitching-Cream	1	(1).....	
	2 GJA 7681AA NED	Console lid -contrast stitching-Ivory.....	1	(2).....	
	2 GJA 7670AB AGD	Console lid -contrast stitching-Oatmeal.....	1	(1).....] Cup holder;Sports trim
	2 GJA 7670AB LEG	Console lid -contrast stitching-Warm charcoal	1	
	2 GJA 7670AB NDR	Console lid -contrast stitching-Cream	1	
	2 GJA 7670AC AGD	Console lid -contrast stitching-Oatmeal.....	1	(3).....] Cup holder;Sports trim
	2 GJA 7670AC LEG	Console lid -contrast stitching-Warm charcoal	1	
	2 GJA 7670AC NED	Console lid -contrast stitching-Ivory.....	1	
	2 GJA 7670AD AGD	Console lid -contrast stitching-Oatmeal.....	1	(4).....] Cup holder;Sports trim
	2 GJA 7670AD LEG	Console lid -contrast stitching-Warm charcoal	1	
	2 GJA 7670AD NED	Console lid -contrast stitching-Ivory.....	1	
	GNA 7692AA	Cup holder mechanism-console lid.....	1] Cup holder
	BDC 8967	Hinge-console lid.....	1	



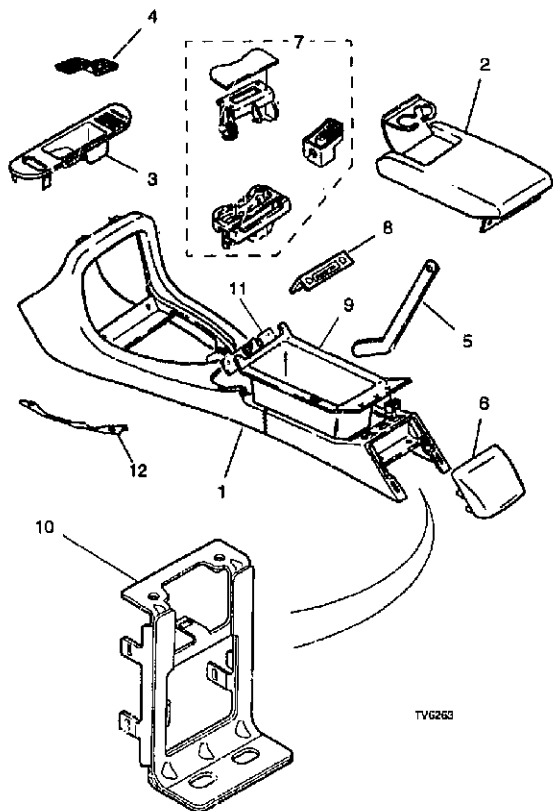
TV8263

CHANGE POINTS:

- (1) To (V) 018107
- (2) From (V) 018108
- (3) From (V) 018108 To (V) 022521
- (4) From (V) 022522

CENTRE CONSOLE AND ARMREST-FRONT

Illus	Part Number	Description	Quantity	Change Point	Remarks
	3	GJA 7842AB LEG Coin tray-centre console	1		Coupe
	3	GJA 7842BC LEG Coin tray-centre console	1		Convertible 2+2
	4	GJA 7843AB LEG Coin tray mat-centre console	1		
	5	GJA 7863AA Console lid stay	1		
		BCC 2534 Friction bush stay	1		
	6	GJA 7850CAAGD Console finisher-rear-trimmed -Oatmeal	1		(1)
	6	GJA 7850CA HDX Console finisher-rear-trimmed -Teal	1		
	6	GJA 7850CA LEG Console finisher-rear-trimmed -Warm charcoal	1		(2)
	6	GJA 7850CA NDR Console finisher-rear-trimmed -Cream	1		
	6	GJA 7850CA SDC Console finisher-rear-trimmed -Coffee	1		
	6	GJA 7850CA NED Console finisher-rear-trimmed -Ivory	1		
	6	GJA 7850CA SDZ Console finisher-rear-trimmed -Cashmere	1		
	7	GJA 7840CAAGD Centre console ashtray-assembly-rear -Oatmeal	1		(1)
	7	GJA 7840CA HDX Centre console ashtray-assembly-rear -Teal	1		
	7	GJA 7840CA LEG Centre console ashtray-assembly-rear -Warm charcoal	1		(2)
	7	GJA 7840CA NDR Centre console ashtray-assembly-rear -Cream	1		
	7	GJA 7840CA SDC Centre console ashtray-assembly-rear -Coffee	1		
	7	GJA 7840CA NED Centre console ashtray-assembly-rear -Ivory	1		
	7	GJA 7840CA SDZ Centre console ashtray-assembly-rear -Cashmere	1		
	8	GJA 7861AA Finisher-centre console-cubby box	1		
	9	GN4 5801ACLEG Cubby box-assembly	1	(1)	
	9	GJA 8580AB Cubby box-assembly	1	(2)	
	10	LJA 3896AC Connector bracket-assembly-console	1		
	11	GN4 7878AALEG Console lid catch plate	1		
	12	QLA 7846AD Steady bracket-RH	1		
	12	GJA 7847AD Steady bracket-LH	1		
		MJA 7750AD Plate-tyre information	1	(3)	Canada, USA.
		MJ3 7750BA Plate-tyre information	1	(4)	Canada, USA, Mexico

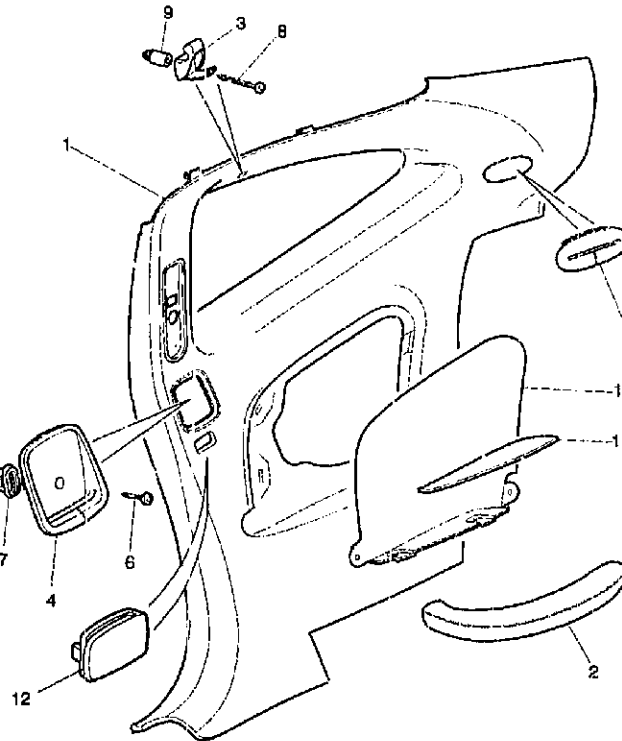


TV6263

CHANCE POINTS:

- (1) To (V) 018107
- (2) From (V) 018108
- (3) To (V) 024656
- (4) From (V) 024657

Illus	Part Number	Description	Quantity	Change Point	Remarks
	1 GJA 2428AF AGD	Quarter casing-RH rear-Oatmeal	1		
	1 GJA 2428AF HDX	Quarter casing-RH rear-Teal	1		
	1 GJA 2428AF LEG	Quarter casing-RH rear-Warm charcoal	1		
	1 GJA 2428AF NDR	Quarter casing-RH rear-Cream	1	(1)	
	1 GJA 2428AF SDC	Quarter casing-RH rear-Coffee	1		
	1 GJA 2428AF NED	Quarter casing-RH rear-Ivory	1	(2)	
	1 GJA 2428AF SDZ	Quarter casing-RH rear-Cashmere	1		
	1 GJA 2429AF AGD	Quarter casing-LH rear-Oatmeal	1		
	1 GJA 2429AF HDX	Quarter casing-LH rear-Teal	1		
	1 GJA 2429AF LEG	Quarter casing-LH rear-Warm charcoal	1		
	1 GJA 2429AF NDR	Quarter casing-LH rear-Cream	1	(1)	
	1 GJA 2429AF SDC	Quarter casing-LH rear-Coffee	1		
	1 GJA 2429AF NED	Quarter casing-LH rear-Ivory	1	(2)	
	1 GJA 2429AF SDZ	Quarter casing-LH rear-Cashmere	1		
	2 GJA 2438AB AGD	Quarter panel armrest-RH-ambla-Oatmeal	1	(3)	
	2 GJA 2438AB HDX	Quarter panel armrest-RH-ambla-Teal	1		
	2 GJA 2438AB LEG	Quarter panel armrest-RH-ambla-Warm charcoal	1		
	2 GJA 2438AB NDR	Quarter panel armrest-RH-ambla-Cream	1	(1)	
	2 GJA 2438AB SDC	Quarter panel armrest-RH-ambla-Coffee	1		
	2 GJA 2438AB NED	Quarter panel armrest-RH-ambla-Ivory	1	(4)	
	2 GJA 2438AB SDZ	Quarter panel armrest-RH-ambla-Cashmere	1		
	2 GJA 2438AC AGD	Quarter panel armrest-RH-ambla-Oatmeal	1	(5)	
	2 GJA 2438AC HDX	Quarter panel armrest-RH-ambla-Teal	1		
	2 GJA 2438AC LEG	Quarter panel armrest-RH-ambla-Warm charcoal	1		
	2 GJA 2438AC NED	Quarter panel armrest-RH-ambla-Ivory	1		
	2 GJA 2438AC SDZ	Quarter panel armrest-RH-ambla-Cashmere	1		



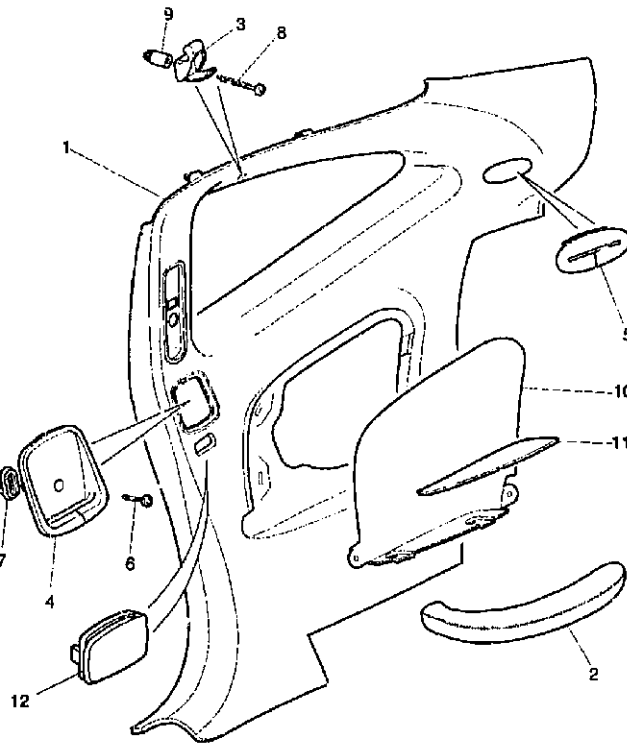
TV8278a

CHANGE POINTS:

- (1) To (V) 018107
- (2) From (V) 018108
- (3) To (V) 025635
- (4) From (V) 018108 To (V) 025635
- (5) From (V) 025638

QUARTER CASING-REAR-COUPÉ

Illus	Part Number	Description	Quantity	Change Point	Remarks
	2 GJA 2439AB AGD	Quarter panel armrest-LH-ambia-Oatmeal	1	(1)	
	2 GJA 2439AB HDX	Quarter panel armrest-LH-ambia-Teal	1		
	2 GJA 2439AB LEG	Quarter panel armrest-LH-ambia-Warm charcoal	1		
	2 GJA 2439AB NDR	Quarter panel armrest-LH-ambia-Cream	1	(2)	
	2 GJA 2439AB SDC	Quarter panel armrest-LH-ambia-Coffee	1		
	2 GJA 2439AB NED	Quarter panel armrest-LH-ambia-Ivory	1	(3)	
	2 GJA 2439AB SDZ	Quarter panel armrest-LH-ambia-Cashmere	1		
	2 GJA 2439AC AGD	Quarter panel armrest-LH-ambia-Oatmeal	1	(4)	
	2 GJA 2439AC HDX	Quarter panel armrest-LH-ambia-Teal	1		
	2 GJA 2439AC LEG	Quarter panel armrest-LH-ambia-Warm charcoal	1		
	2 GJA 2439AC NED	Quarter panel armrest-LH-ambia-Ivory	1		
	2 GJA 2439AC SDZ	Quarter panel armrest-LH-ambia-Cashmere	1		
	3 BEC 23321 AGD	Coat hook-Oatmeal	2	(2)	
	3 BEC 23321 HDX	Coat hook-Teal	2		
	3 BEC 23321 LEG	Coat hook-Warm charcoal	2		
	3 BEC 23321 NDR	Coat hook-Cream	2		
	3 BEC 23321 SDC	Coat hook-Coffee	2		
	3 BEC 23321 NED	Coat hook-Ivory	2	(5)	
	3 BEC 23321 SDZ	Coat hook-Cashmere	2		
	4 GJA 2487AC AGD	Seatbelt escutcheon-front-Oatmeal	2	(2)	
	4 GJA 2487AC HDX	Seatbelt escutcheon-front-Teal	2		
	4 GJA 2487AC LEG	Seatbelt escutcheon-front-Warm charcoal	2		
	4 GJA 2487AC NDR	Seatbelt escutcheon-front-Cream	2		
	4 GJA 2487AC SDC	Seatbelt escutcheon-front-Coffee	2		
	4 GJA 2487AC NED	Seatbelt escutcheon-front-Ivory	2		
	4 GJA 2487AC SDZ	Seatbelt escutcheon-front-Cashmere	2	(5)	



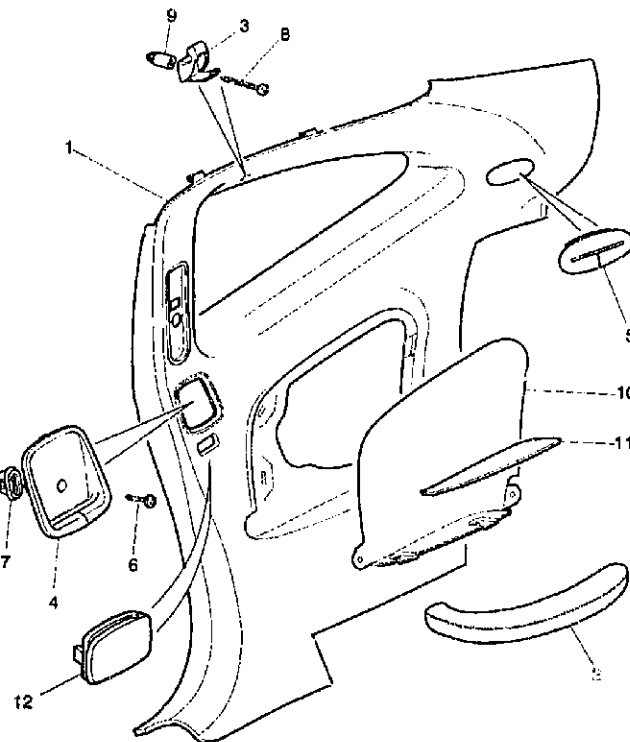
TV6278a

CHANGE POINTS:

- (1) To (V) 025635
- (2) To (V) 018107
- (3) From (V) 018108 To (V) 025635
- (4) From (V) 025636
- (5) From (V) 018108

QUARTER CASING-REAR-COUPÉ

Illus	Part Number	Description	Quantity	Change Point	Remarks
	5 GJA 2489AC AGD	Seatbelt escutcheon-rear -Oatmeal.....	2		
	5 GJA 2489AC HDX	Seatbelt escutcheon-rear -Teal.....	2		
	5 GJA 2489AC LEG	Seatbelt escutcheon-rear -Warm charcoal.....	2		
	5 GJA 2489AC NDR	Seatbelt escutcheon-rear -Cream.....	2	(1)	
	5 GJA 2489AC SDC	Seatbelt escutcheon-rear -Coffee.....	2		
	5 GJA 2489AC NED	Seatbelt escutcheon-rear -Ivory.....	2	(2)	
	5 GJA 2489AC SDZ	Seatbelt escutcheon-rear -Cashmere.....	2		
	6 AB 608064	Self tapping screw.....	2		
	7 BD 48854	Lokut nut.....	2		
	8 JPT 10530B	Self tapping screw-rear quarter-trim cover.....	2		
	9 KZR 100009	Panel fixing insert-no.10-self tapping screw.....	2		
	10 GJA 2448AB AGD	Loudspeaker grille-RH-Oatmeal.....	1		
	10 GJA 2448AB HDX	Loudspeaker grille-RH-Teal.....	1		
	10 GJA 2448AB LEG	Loudspeaker grille-RH-Warm charcoal.....	1		
	10 GJA 2448AB NDR	Loudspeaker grille-RH-Cream.....	1	(1)	
	10 GJA 2448AB SDC	Loudspeaker grille-RH-Coffee.....	1		
	10 GJA 2448AB NED	Loudspeaker grille-RH-Ivory.....	1	(2)	
	10 GJA 2448AB SDZ	Loudspeaker grille-RH-Cashmere.....	1		
	5 10 GJA 2448AB AGD	Loudspeaker grille-LH-Oatmeal.....	1		
	10 GJA 2448AB HDX	Loudspeaker grille-LH-Teal.....	1		
	10 GJA 2448AB LEG	Loudspeaker grille-LH-Warm charcoal.....	1		
	10 GJA 2448AB NDR	Loudspeaker grille-LH-Cream.....	1	(1)	
	10 GJA 2448AB SDC	Loudspeaker grille-LH-Coffee.....	1		
	10 GJA 2448AB NED	Loudspeaker grille-LH-Ivory.....	1	(2)	
	10 GJA 2448AB SDZ	Loudspeaker grille-LH-Cashmere.....	1		



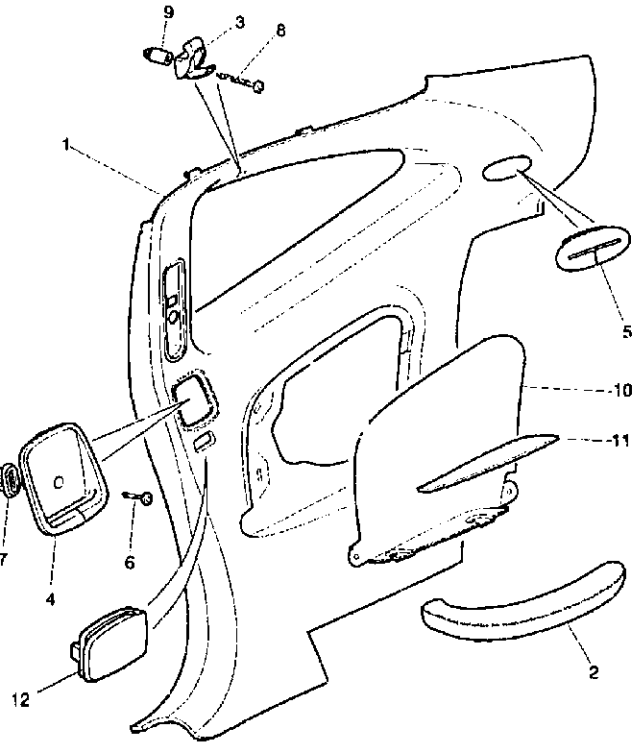
TV6278a

CHANGE POINTS:

(1) To (V) 018107

(2) From (V) 018108

Illus	Part Number	Description	Quantity	Change Point	Remarks
	11 GJA 2484AA	Insert-pocket-RH.....	1		
	11 GJA 2485AA	Insert-pocket-LH.....	1		
	12 GJA 2447AA AGD	Seat belt webbing retainer-Oatmeal.....	2		
	12 GJA 2447AA HDX	Seat belt webbing retainer-Toal.....	2		
	12 GJA 2447AA LEG	Seat belt webbing retainer-Warm charcoal.....	2		
	12 GJA 2447AA NDR	Seat belt webbing retainer-Cream.....	2		(1)
	12 GJA 2447AA SDC	Seat belt webbing retainer-Coffee.....	2		
	12 GJA 2447AA NED	Seat belt webbing retainer-ivory.....	2		(2)
	12 GJA 2447AA SDZ	Seat belt webbing retainer-Cashmere.....	2		



TV6278a

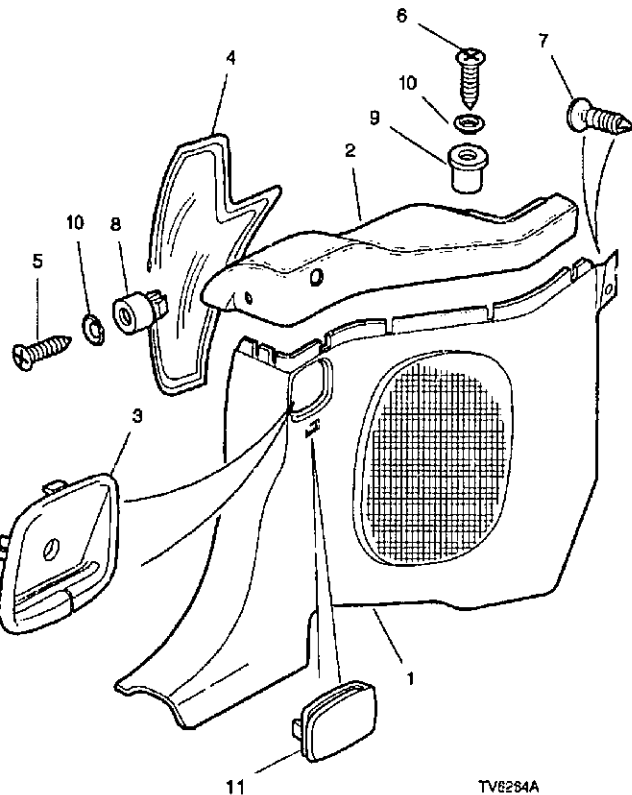
CHANGE POINTS:

(1) To (V) 01D107

(2) From (V) 01D108

QUARTER CASING-REAR-CONVERTIBLE

Illus	Part Number	Description	Quantity	Change Point	Remarks
	1 GJA 2428CF AGD	Quarter casing-RH-Oatmeal.....	1] (1)	
	1 GJA 2428CF HDX	Quarter casing-RH-Teal.....	1		
	1 GJA 2428CF LEG	Quarter casing-RH-Warm charcoal	1		
	1 GJA 2428CF NDR	Quarter casing-RH-Cream	1		
	1 GJA 2428CF SDC	Quarter casing-RH-Coffee	1		
	1 GJA 2428CH AGD	Quarter casing-RH-Oatmeal.....	1] (2)	
	1 GJA 2428CH HDX	Quarter casing-RH-Teal.....	1		
	1 GJA 2428CH LEG	Quarter casing-RH-Warm charcoal	1		
	1 GJA 2428CH NDR	Quarter casing-RH-Cream	1] (3)	
	1 GJA 2428CH SDC	Quarter casing-RH-Coffee	1		
	1 GJA 2428CH NED	Quarter casing-RH-Ivory.....	1] (4)	
	1 GJA 2428CH SDZ	Quarter casing-RH-Cashmere	1		
	1 GJA 2429CF AGD	Quarter casing-LH-Oatmeal	1] (1)	
	1 GJA 2429CF HDX	Quarter casing-LH-Teal	1		
	1 GJA 2429CF LEG	Quarter casing-LH-Warm charcoal	1		
	1 GJA 2429CF NDR	Quarter casing-LH-Cream	1		
	1 GJA 2429CF SDC	Quarter casing-LH-Coffee	1		
	1 GJA 2429CH AGD	Quarter casing-LH-Oatmeal	1] (2)	
	1 GJA 2429CH HDX	Quarter casing-LH-Teal	1		
	1 GJA 2429CH LEG	Quarter casing-LH-Warm charcoal	1		
	1 GJA 2429CH NDR	Quarter casing-LH-Cream	1] (3)	
	1 GJA 2429CH SDC	Quarter casing-LH-Coffee	1		
	1 GJA 2429CH SDZ	Quarter casing-LH-Cashmere	1] (4)	
	1 GJA 2429CH NED	Quarter casing-LH-Ivory	1		



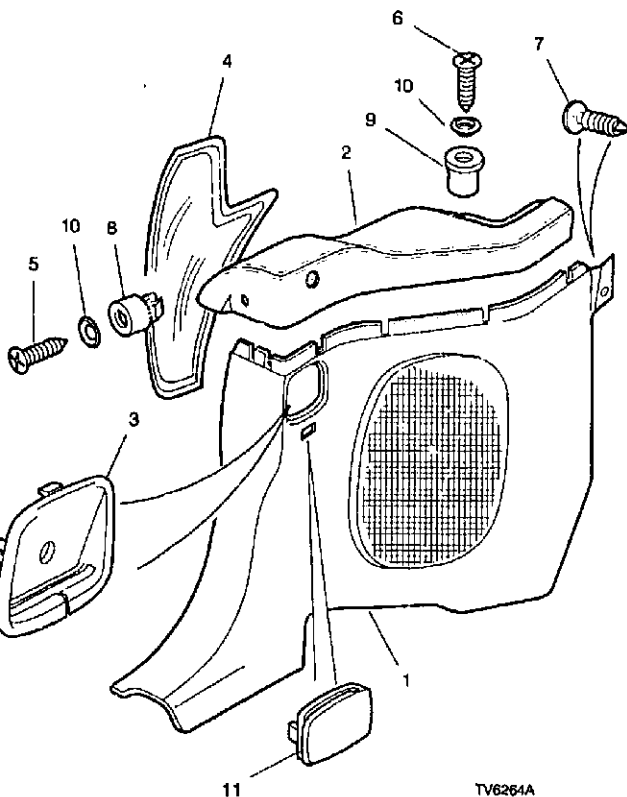
TV6264A

CHANGE POINTS:

- (1) To (V) 016418
- (2) From (V) 016419
- (3) From (V) 016419 To (V) 018107
- (4) From (V) 018108

QUARTER CASING-REAR-CONVERTIBLE

Illus	Part Number	Description	Quantity	Change Point	Remarks
	2 GJA 2496AA AGD	Capping-RH-ambla-twin stitched-Oatmeal	1	(1)	
	2 GJA 2496AA HDX	Capping-RH-ambla-twin stitched-Teal	1		
	2 GJA 2496AA LEG	Capping-RH-ambla-twin stitched-Warm charcoal	1		
	2 GJA 2496AA NDR	Capping-RH-ambla-twin stitched-Cream	1		
	2 GJA 2496AA SDC	Capping-RH-ambla-twin stitched-Coffee	1		
	2 GJA 2496AC AGD	Capping-RH-ambla-twin stitched-Oatmeal	1	(2)	
	2 GJA 2496AC HDX	Capping-RH-ambla-twin stitched-Teal	1		
	2 GJA 2496AC LEG	Capping-RH-ambla-twin stitched-Warm charcoal	1	(3)	
	2 GJA 2496AC NDR	Capping-RH-ambla-twin stitched-Cream	1		
	2 GJA 2496AC SDC	Capping-RH-ambla-twin stitched-Coffee	1		
	2 GJA 2496AC NED	Capping-RH-ambla-twin stitched-Ivory	1	(4)	
	2 GJA 2496AC SDZ	Capping-RH-ambla-twin stitched-Cashmere	1		
	2 GJA 2497AA AGD	Capping-LH-ambla-twin stitched-Oatmeal	1	(5)	
	2 GJA 2497AA HDX	Capping-LH-ambla-twin stitched-Teal	1		
	2 GJA 2497AA LEG	Capping-LH-ambla-twin stitched-Warm charcoal	1		
	2 GJA 2497AA NDR	Capping-LH-ambla-twin stitched-Cream	1		
	2 GJA 2497AA SDC	Capping-LH-ambla-twin stitched-Coffee	1		
	2 GJA 2497AB AGD	Capping-LH-ambla-twin stitched-Oatmeal	1	(6)	
	2 GJA 2497AB HDX	Capping-LH-ambla-twin stitched-Teal	1		
	2 GJA 2497AB LEG	Capping-LH-ambla-twin stitched-Warm charcoal	1	(7)	
	2 GJA 2497AB NDR	Capping-LH-ambla-twin stitched-Cream	1		
	2 GJA 2497AB SDC	Capping-LH-ambla-twin stitched-Coffee	1		
	2 GJA 2497AB NED	Capping-LH-ambla-twin stitched-Ivory	1	(4)	
	2 GJA 2497AB SDZ	Capping-LH-ambla-twin stitched-Cashmere	1		

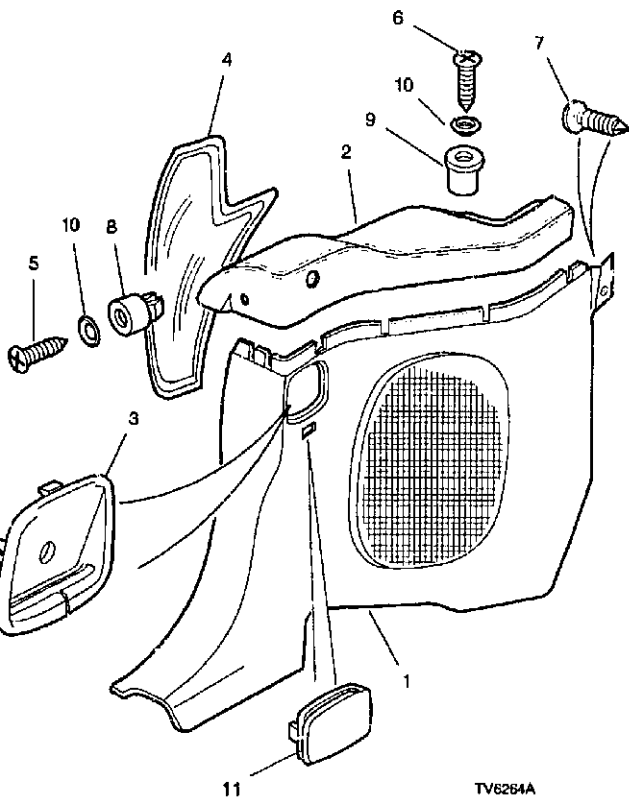


TV6264A

CHANGE POINTS:
 (1) To (V) 007899
 (2) From (V) 007900
 (3) From (V) 007900 To (V) 018107
 (4) From (V) 018108
 (5) To (V) 010239
 (6) From (V) 010240
 (7) From (V) 010240 To (V) 018107

QUARTER CASING-REAR-CONVERTIBLE

Illus	Part Number	Description	Quantity	Change Point	Remarks
	3	GJA 2487BA AGD Seatbelt escutcheon-front-Oatmeal.....	2		
	3	GJA 2487BA HDX Seatbelt escutcheon-front-Teal.....	2		
	3	GJA 2487BA LEG Seatbelt escutcheon-front-Warm charcoal.....	2		
	3	GJA 2487BA NDR Seatbelt escutcheon-front-Cream.....	2		(1)
	3	GJA 2487BA SDC Seatbelt escutcheon-front-Coffee.....	2		
	3	GJA 2487BA NED Seatbelt escutcheon-front-Ivory.....	2		(2)
	3	GJA 2487BA SDZ Seatbelt escutcheon-front-Cashmere.....	2		
	4	HJA 8134BD Water curtain-RH.....	1		(3)
	4	HJA 8135BD Water curtain-LH.....	1		
	4	HJA 8134BE Water curtain-RH.....	1		(4)
	4	HJA 8135BE Water curtain-LH.....	1		
	4	HJB 8135AA Water curtain-LH.....	1		(5)
	4	HJB 8134AA Water curtain-RH.....	1		
	5	JAD 60810J Self tapping screw-M8 x 35mm-countersunk-chrome.....	2		
	6	AD 608083 Self tapping screw-countersunk-M8 x 25mm-chrome.....	2		
	7	KTC 100010 Fir tree clip.....	2		
	8	KZFR 100007 Lokut nut-rear quarter.....	2		
	9	KZFR 100010 Lokut nut-rear quarter.....	2		
	10	JZW 100034 Cup washer-M8-chrome.....	4		
		GJA 2436AA Clip-trim cover-rear quarter.....	2		
	11	GJA 2447AA AGD Seat belt webbing retainer-Oatmeal.....	2		
	11	GJA 2447AA HDX Seat belt webbing retainer-Teal.....	2		
	11	GJA 2447AA LEG Seat belt webbing retainer-Warm charcoal.....	2		
	11	GJA 2447AA NDR Seat belt webbing retainer-Cream.....	2		(1)
	11	GJA 2447AA SDC Seat belt webbing retainer-Coffee.....	2		
	11	GJA 2447AA NED Seat belt webbing retainer-Ivory.....	2		(2)
	11	GJA 2447AA SDZ Seat belt webbing retainer-Cashmere.....	2		

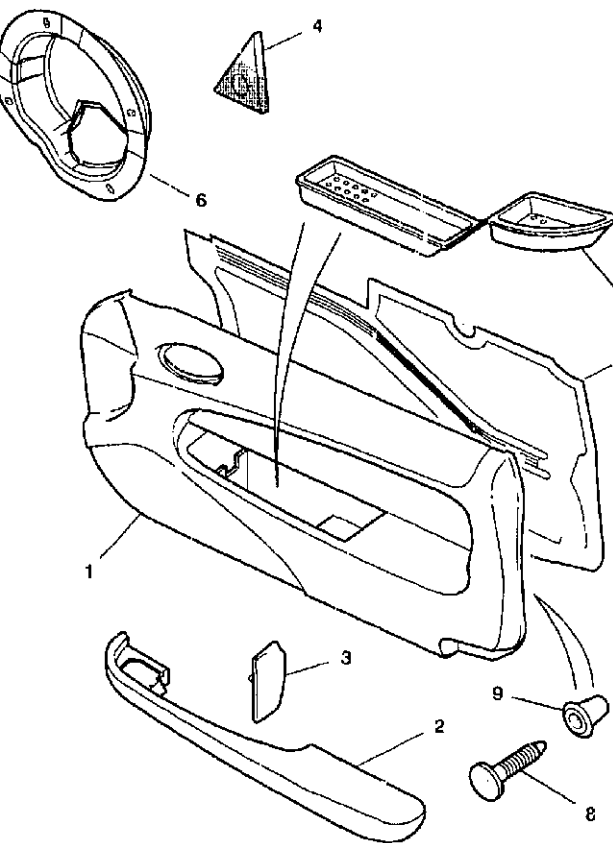


TV6264A

CHANGE POINTS:
 (1) To (V) 018107
 (2) From (V) 018108
 (3) To (V) 004425
 (4) From (V) 004426 To (V) 027935
 (5) From (V) 027936

DOOR CASING AND ARMREST

Illus	Part Number	Description	Quantity	Change Point	Remarks
	1 GJA 1204AA NEB	Door casing-RH-centre panel-cloth-Cream	1	(1)	Sports trim
	1 GJA 1204AA AGF	Door casing-RH-centre panel-cloth-Oatmeal	1	(2)	
	1 GJA 1204AA LGE	Door casing-RH-centre panel-cloth-Warm charcoal	1		
	1 GJB 1204AA AGF	Door casing-RH-centre panel-cloth-Oatmeal	1	(3)	
	1 GJB 1204AA LGE	Door casing-RH-centre panel-cloth-Warm charcoal	1		
	1 GJA 1205AA NEB	Door casing-LH-centre panel-cloth-Cream	1	(1)	Sports trim
	1 GJA 1205AA AGF	Door casing-LH-centre panel-cloth-Oatmeal	1	(2)	
	1 GJA 1205AA LGE	Door casing-LH-centre panel-cloth-Warm charcoal	1		
	1 GJB 1205AA AGF	Door casing-LH-centre panel-cloth-Oatmeal	1	(3)	
	1 GJB 1205AA LGE	Door casing-LH-centre panel-cloth-Warm charcoal	1		
	1 GJA 1204BA AGD	Door casing-RH-centre panel-ambla-Oatmeal	1	(2)	Classic trim
	1 GJA 1204BA HDX	Door casing-RH-centre panel-ambla-Teal	1		
	1 GJA 1204BA LEG	Door casing-RH-centre panel-ambla-Warm charcoal	1	(1)	
	1 GJA 1204BA NDR	Door casing-RH-centre panel-ambla-Cream	1		
	1 GJA 1204BA SDC	Door casing-RH-centre panel-ambla-Coffee	1	(4)	
	1 GJA 1204BA NED	Door casing-RH-centre panel-ambla-Ivory	1		
	1 GJA 1204BA SDZ	Door casing-RH-centre panel-ambla-Cashmere	1	(3)	Classic trim
	1 GJB 1204BA AGD	Door casing-RH-centre panel-ambla-Oatmeal	1		
	1 GJB 1204BA HDX	Door casing-RH-centre panel-ambla-Teal	1		
	1 GJB 1204BA LEG	Door casing-RH-centre panel-ambla-Warm charcoal	1		
	1 GJB 1204BA NED	Door casing-RH-centre panel-ambla-Ivory	1		
	1 GJB 1204BA SDZ	Door casing-RH-centre panel-ambla-Cashmere	1		



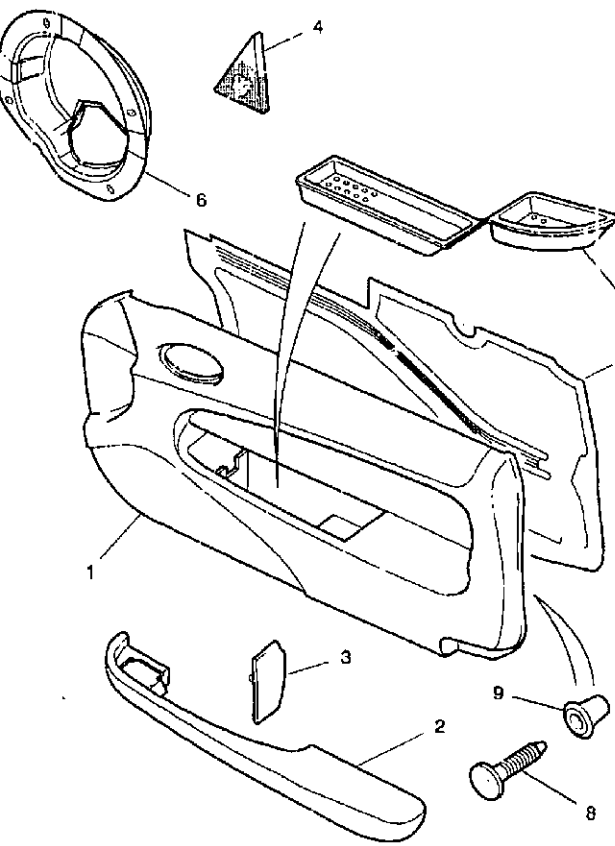
TV6253b

CHANGE POINTS:

- (1) To (V) 018107
- (2) To (V) 028590
- (3) From (V) 028591
- (4) From (V) 018106 To (V) 023590

DOOR CASING AND ARMREST

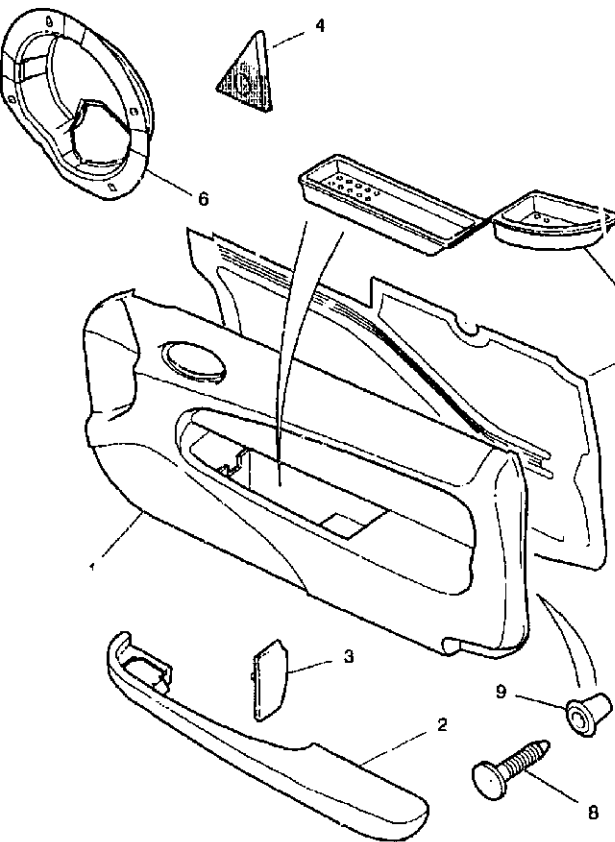
Illus	Part Number	Description	Quantity	Change Point	Remarks
	1 GJA 1205BA AGD	Door casing-LH-centre panel-ambla-Oatmeal	1	(1).....	Classic trim
	1 GJA 1205BA HDX	Door casing-LH-centre panel-ambla-Teal	1		
	1 GJA 1205BA LEG	Door casing-LH-centre panel-ambla-Warm charcoal	1	(2).....	
	1 GJA 1205BA NDR	Door casing-LH-centre panel-ambla-Cream	1		
	1 GJA 1205BA SDC	Door casing-LH-centre panel-ambla-Coffee	1	(3).....	
	1 GJA 1205BA NED	Door casing-LH-centre panel-ambla-Ivory	1		
	1 GJA 1205BA SDZ	Door casing-LH-centre panel-ambla-Cashmere	1	(4).....	Classic trim
	1 GJB 1205BA AGD	Door casing-LH-centre panel-ambla-Oatmeal	1		
	1 GJB 1205BA HDX	Door casing-LH-centre panel-ambla-Teal	1	(5).....	
	1 GJB 1205BA LEG	Door casing-LH-centre panel-ambla-Warm charcoal	1		
	1 GJB 1205BA NED	Door casing-LH-centre panel-ambla-Ivory	1	(6).....	Classic trim
	1 GJB 1205BA SDZ	Door casing-LH-centre panel-ambla-Cashmere	1		
	2 GJA 1270FE AGD	Door armrest-RH door-Oatmeal	1	(7).....	
	2 GJA 1270FE HDX	Door armrest-RH door-Teal	1		
	7 2 GJA 1270FE LEG	Door armrest-RH door-Warm charcoal	1	(8).....	Classic trim
	2 GJA 1270FE NDR	Door armrest-RH door-Cream	1		
	5 2 GJA 1270FE SDC	Door armrest-RH door-Coffee	1	(9).....	
	2 GJA 1270FF AGD	Door armrest-RH door-Oatmeal	1		
	2 GJA 1270FF HDX	Door armrest-RH door-Teal	1	(10).....	
	2 GJA 1270FF LEG	Door armrest-RH door-Warm charcoal	1		
	2 GJA 1270FF NDR	Door armrest-RH door-Cream	1	(11).....	
	2 GJA 1270FF SDC	Door armrest-RH door-Coffee	1		
	2 GJA 1270FF NED	Door armrest-RH door-Ivory	1	(12).....	Classic trim
	2 GJA 1270FF SDZ	Door armrest-RH door-Cashmere	1		



CHANGE POINTS:

- (1) To (V) 028590
- (2) To (V) 019107
- (3) From (V) 018108 To (V) 028590
- (4) From (V) 028591
- (5) To (V) 010119
- (6) From (V) 010120
- (7) From (V) 010120 To (V) 018107
- (8) From (V) 018108

DOOR CASING AND ARMREST



Illus	Part Number	Description	Quantity	Change Point	Remarks
	2 GJA 1271FE AGD	Door armrest-LH door-Oatmeal	1] (1).....	Classic trim
	2 GJA 1271FE HDX	Door armrest-LH door-Teal.....	1		
	2 GJA 1271FE LEG	Door armrest-LH door-Warm charcoal	1		
	2 GJA 1271FE NDR	Door armrest-LH door-Cream	1		
	2 GJA 1271FE SDC	Door armrest-LH door-Coffee	1		
	2 GJA 1271FF AGD	Door armrest-LH door-Oatmeal	1] (2).....	Classic trim
	2 GJA 1271FF HDX	Door armrest-LH door-Teal.....	1		
	2 GJA 1271FF LEG	Door armrest-LH door-Warm charcoal	1		
	2 GJA 1271FF NDR	Door armrest-LH door-Cream	1] (3).....	
	2 GJA 1271FF SDC	Door armrest-LH door-Coffee	1		
	2 GJA 1271FF NED	Door armrest-LH door-Ivory.....	1] (4).....	Classic trim
	2 GJA 1271FF SDZ	Door armrest-LH door-Cashmere	1		
	2 GJA 1270HC AGD	Door armrest-RH door-Oatmeal	1] (1).....	Sports trim
	2 GJA 1270HC LEG	Door armrest-RH door-Warm charcoal	1		
	2 GJA 1270HC NDR	Door armrest-RH door-Cream	1		
	5 2 GJA 1270HD AGD	Door armrest-RH door-Oatmeal	1] (2).....	
	2 GJA 1270HD LEG	Door armrest-RH door-Warm charcoal	1		
	2 GJA 1270HD NDR	Door armrest-RH door-Cream	1] (3).....	
	2 GJA 1270HD NED	Door armrest-RH door-Ivory.....	1		
	2 GJA 1271HC AGD	Door armrest-LH door-Oatmeal	1] (1).....	Sports trim
	2 GJA 1271HC LEG	Door armrest-LH door-Warm charcoal	1		
	2 GJA 1271HC NDR	Door armrest-LH door-Cream	1		
	2 GJA 1271HD AGD	Door armrest-LH door-Oatmeal.....	1] (2).....	
	2 GJA 1271HD LEG	Door armrest-LH door-Warm charcoal	1		
	2 GJA 1271HD NDR	Door armrest-LH door-Cream	1] (3).....	
	2 GJA 1271HD NED	Door armrest-LH door-Ivory.....	1		
] (4).....	

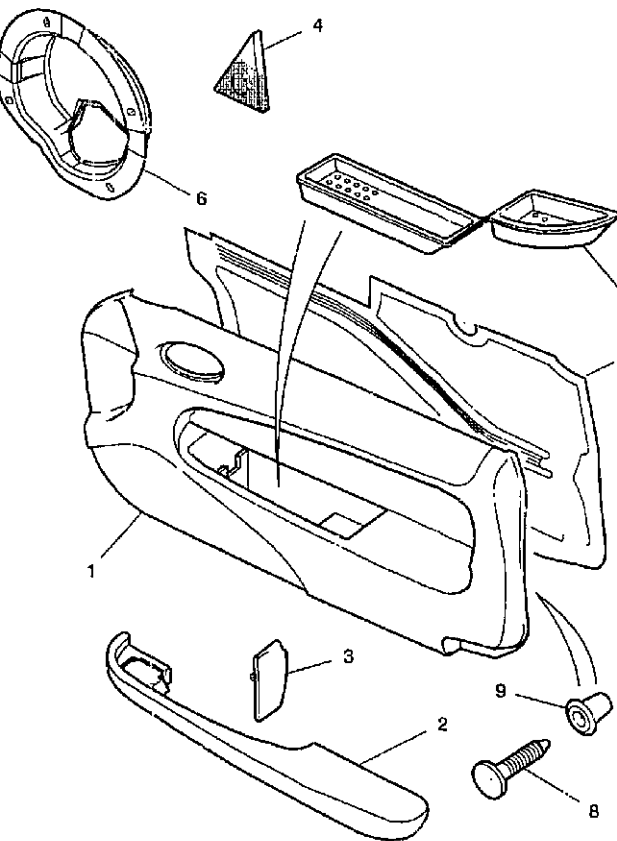
TV6253b

CHANGE POINTS:

- (1) To (V) 010119
- (2) From (V) 010120
- (3) From (V) 010120 To (V) 018107
- (4) From (V) 018108

MASTER INDEX	GROUP INDEX	
ENGINE..... 1 D		
ENGINE MANAGEMENT/EMISSION SYSTEMS..... 1 F	BODY INTERIOR FIXTURES AND FITTINGS..... 2 M 03	CARPET-CONVERTIBLE 2 N 12
AIR AND FUEL DELIVERY SYSTEMS 1 G	CENTRE CONSOLE 2 M 05	CARPET-COUPÉ..... 2 N 09
ENGINE COOLING SYSTEM..... 1 H	DOOR INTERIOR TRIM AND FINISHERS 2 M 16	CENTRE CONSOLE AND ARMREST-FRONT 2 M 05
EXHAUST SYSTEM AND COMPONENTS 1 I	FACIA 2 N 04	DOOR CASING AND ARMREST 2 M 16
TRANSMISSION AND DRIVELINE..... 1 J	FLOOR COVERINGS/CARPETS..... 2 N 09	DRIVERS STOWAGE AND KNEE BOLSTER..... 2 O 04
STEERING AND SUSPENSION..... 1 K	GLOVEBOX 2 O 03	FACIA PANEL 2 N 04
BRAKING SYSTEM 1 M	HEADLININGS AND SUNVISORS 2 O 05	FOOTREST ASSEMBLY..... 2 M 03
AIR CONDITIONING/HEATING/VENTILATION..... 1 N	INSULATION/LINERS..... 2 N 17	GLOVEBOX 2 O 03
WIPER AND WASHER SYSTEMS..... 1 O	PARCEL SHELF AND SUNBLINDS..... 2 O 08	HEADER RAIL AND A-POST TRIM..... 2 O 07
ELECTRICAL DISTRIBUTION SYSTEM..... 2 C	QUARTER CASINGS 2 M 09	HEADLINING AND A-POST TRIM-COUPÉ 2 O 06
INFORMATION SYSTEMS AND CONTROLS..... 2 E	REAR VIEW MIRRORS..... 2 N 03	IN CAR VENEER SET 2 N 08
BATTERY/STARTER MOTOR/ALTERNATOR..... 2 F	TREADPLATES 2 M 02	PARCEL SHELF-REAR-COUPÉ 2 O 08
IN CAR ENTERTAINMENT 2 G	VENEERS AND WOOD SETS 2 N 08	QUARTER CASING-REAR-CONVERTIBLE 2 M 13
LIGHTING - EXTERIOR/INTERIOR 2 H		QUARTER CASING-REAR-COUPÉ..... 2 M 09
LOCKING/SECURITY SYSTEMS/HORNS..... 2 I		REAR VIEW MIRROR 2 N 03
SEATING..... 2 J		ROOF CONSOLE 2 M 04
OCCUPANT RESTRAINTS..... 2 L		SOUND DEADENING-INTERIOR..... 2 O 02
INTERIOR TRIM AND LININGS 2 M		SOUND DEADENING-UNDER BONNET..... 2 N 18
EXTERIOR FITTINGS AND SUNROOF 3 C		SUNVISOR 2 O 05
BODY CLOSURES AND SEALING 3 D		TREADPLATE..... 2 M 02
BODY METAL PANELS AND SEALING..... 3 G		TRUNK CARPET 2 N 15
ACCESSORIES/CONSUMABLES/INDEX..... 3 H		TRUNK LID LINER..... 2 N 17

DOOR CASING AND ARMREST



Illus	Part Number	Description	Quantity	Change Point	Remarks
3	GJA 1326BB AGD	Door pocket finisher-RH-Oatmeal	1		
3	GJA 1326BB HDX	Door pocket finisher-RH-Teal	1		
3	GJA 1326BB LEG	Door pocket finisher-RH-Warm charcoal	1		
3	GJA 1326BB NDR	Door pocket finisher-RH-Cream	1] (1)	
3	GJA 1326BB SDC	Door pocket finisher-RH-Coffee	1		
3	GJA 1326BB NED	Door pocket finisher-RH-Ivory	1] (2)	
3	GJA 1326BB SDZ	Door pocket finisher-RH-Cashmere	1		
3	GJA 1327BB AGD	Door pocket finisher-LH-Oatmeal	1		
3	GJA 1327BB HDX	Door pocket finisher-LH-Teal	1		
3	GJA 1327BB LEG	Door pocket finisher-LH-Warm charcoal	1		
3	GJA 1327BB NDR	Door pocket finisher-LH-Cream	1] (1)	
3	GJA 1327BB SDC	Door pocket finisher-LH-Coffee	1		
3	GJA 1327BB NED	Door pocket finisher-LH-Ivory	1] (2)	
3	GJA 1327BB SDZ	Door pocket finisher-LH-Cashmere	1		
4	GJA 1614BE	Cheater finisher -assembly-RH door-inner	1] Premium in car entertainment
5 4	GJA 1615BE	Cheater finisher -assembly-LH door-inner	1		
4	GJA 1614CD	Cheater finisher -assembly-RH door-inner	1] Except premium in car entertainment
4	GJA 1615CD	Cheater finisher -assembly-LH door-inner	1		
5	GJA 1790AD	Water deflector-RH door	1		
5	GJA 1791AD	Water deflector-LH door	1		
6	GJA 1798AB	Water deflector-loudspeaker-RH door	1		
6	GJA 1799AB	Water deflector-loudspeaker-LH door	1		
7	GJA 1358AB	Door pocket finisher-RH door	1		
7	GJA 1359AB	Door pocket finisher-LH door	1		
8	KTC 100017	Push in fir tree clip	18		
9	KZV 100010	Friction bush-Cream	18		
	GJA 1237AA	Fir tree fastener-door casing	3		
	JZH 100048	Screw/washer -M5	5		

TV6253b

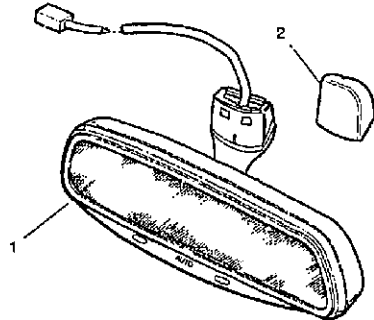
CHANGE POINTS:

(1) To (V) 018107

(2) From (V) 018108

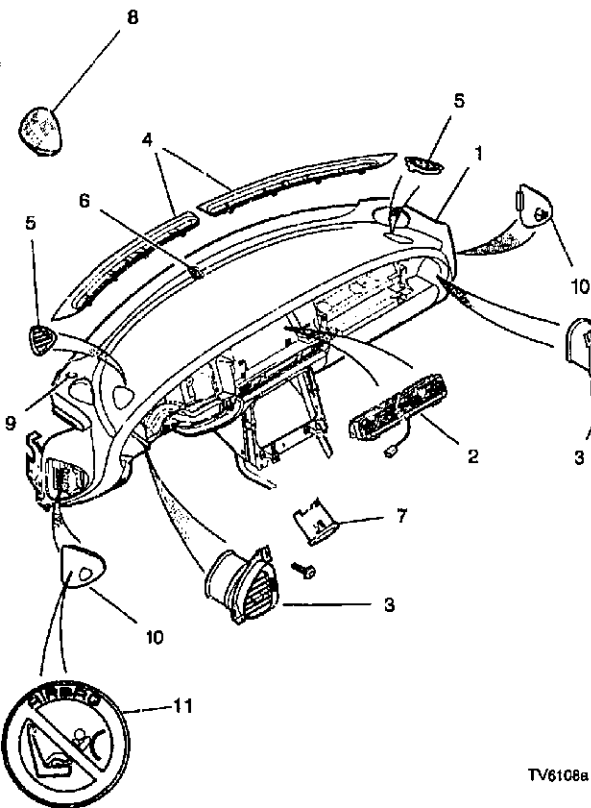
REAR VIEW MIRROR

Illus	Part Number	Description	Quantity	Change Point	Remarks
	1 HJA 3120AA	Interior rear view mirror-manual dim	1	} (1)	
	1 HJA 3121AA	Interior rear view mirror-automatic dim	1		
	1 HJA 3121BA	Interior rear view mirror-automatic dim	1		
	1 HNC 3133AB	Interior rear view mirror-automatic dim-twilight: sentinel	1	} (2).....	Daytime running lamps
	2 HXF 3131AB	Mirror stem cover	1		



TV8272

CHANGE POINTS:
(1) To (V) 018107
(2) From (V) 018108



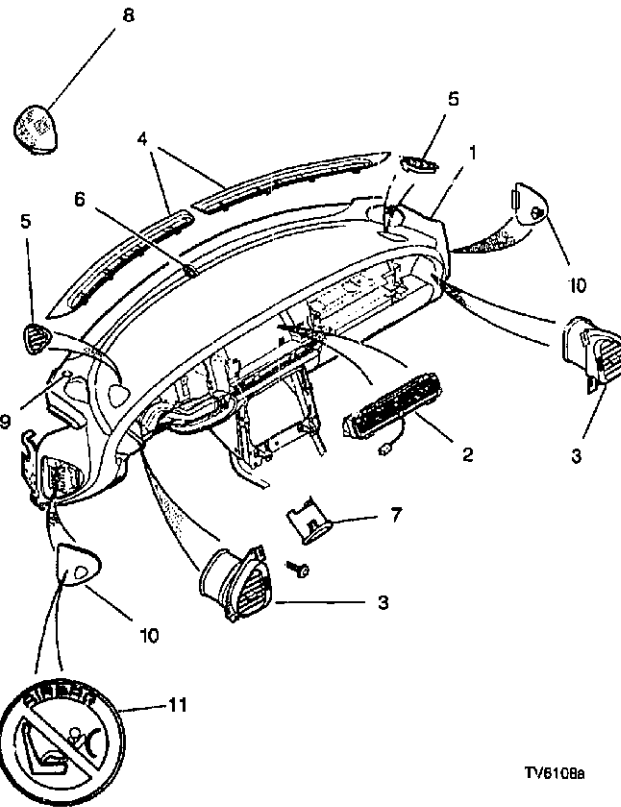
Illus	Part Number	Description	Quantity	Change Point	Remarks
1	GJA 6401AJAEK	Facia-Sable.....	1] (1)	
1	GJA 6401AJAGE	Facia-Antelope.....	1		
1	GJA 6401AJHDV	Facia-Dark teal.....	1		
1	GJA 6401AJLEG	Facia-Warm charcoal.....	1		
1	GJA 6401AJSDC	Facia-Coffee.....	1		
1	GJA 6401ANA EK	Facia-Sable.....	1] (2)	
1	GJA 6401ANAGE	Facia-Antelope.....	1		
1	GJA 6401ANHDV	Facia-Dark teal.....	1		
1	GJA 6401ANLEG	Facia-Warm charcoal.....	1		
1	GJA 6401ANSDC	Facia-Coffee.....	1		
1	GJB 6401ABAES	Facia-Sable/Ivory.....	1] (3)	
1	GJB 6401ABAET	Facia-Sable/cashmere.....	1		
1	GJB 6401ABAGK	Facia-Antelope/Oatmeal.....	1		
1	GJB 6401ABHDV	Facia-Dark teal/Teal.....	1		
1	GJB 6401ABLEG	Facia-Warm cha.col/Warm charcoal.....	1		
1	GJB 6401ACAES	Facia-Sable/Ivory.....	1] (4)	
1	GJB 6401ACAET	Facia-Sable/cashmere.....	1		
1	GJB 6401ACAGK	Facia-Antelope/Oatmeal.....	1		
1	GJB 6401ACHDV	Facia-Dark teal/Teal.....	1		
1	GJB 6401ACLEG	Facia-Warm charcoal/Warm charcoal.....	1		
2	GNA 6770AA LEG	Centre vent.....	1	(5)	
2	GJB 6770AA	Centre vent.....	1	(6)	
	LNA 7698AA	Temperature switch-differential-facia centre vent.....	1		
3	GJA 6720AD	Facia vent -RH outer.....	1] (1)	
3	GJA 6721AD	Facia vent -LH outer.....	1		
3	GJA 6720AE	Facia vent -RH outer.....	1] (7)	
3	GJA 6721AE	Facia vent -LH outer.....	1		

TV6108a

CHANGE POINTS:

- (1) To (V) 014667
- (2) From (V) 014668 To (V) 018107
- (3) From (V) 018108 To (V) 024688
- (4) From (V) 024687
- (5) To (V) 018107
- (6) From (V) 018108
- (7) From (V) 014668

Illus	Part Number	Description	Quantity	Change Point	Remarks
	4 GJA 6600ACAEK	Demister grille-RH-Sable.....	1	(1)	
	4 GJA 6600ACAGE	Demister grille-RH-Antelope.....	1		
	4 GJA 6600ACHDV	Demister grille-RH-Dark teal.....	1		
	4 GJA 6600ACLEG	Demister grille-RH-Warm charcoal.....	1		
	4 GJA 6600ACSDC	Demister grille-RH-Coffee.....	1		
	4 GJA 6601ACAEK	Demister grille-LH-Sable.....	1		
	4 GJA 6601ACAGE	Demister grille-LH-Antelope.....	1		
	4 GJA 6601ACHDV	Demister grille-LH-Dark teal.....	1		
	4 GJA 6601ACLEG	Demister grille-LH-Warm charcoal.....	1		
	4 GJA 6601ACSDC	Demister grille-LH-Coffee.....	1		
	4 GJA 6600ADAEK	Demister grille-RH-Sable.....	1	(2)	
	4 GJA 6600ADAGE	Demister grille-RH-Antelope.....	1		
	4 GJA 6600ADHDV	Demister grille-RH-Dark teal.....	1		
	4 GJA 6600ADLEG	Demister grille-RH-Warm charcoal.....	1	(3)	
	4 GJA 6600ADSDC	Demister grille-RH-Coffee.....	1		
	4 GJA 6601ADAEK	Demister grille-LH-Sable.....	1	(2)	
	4 GJA 6601ADAGE	Demister grille-LH-Antelope.....	1		
	4 GJA 6601ADHDV	Demister grille-LH-Dark teal.....	1		
	4 GJA 6601ADLEG	Demister grille-LH-Warm charcoal.....	1	(3)	
	4 GJA 6601ADSDC	Demister grille-LH-Coffee.....	1		
	JZE 100021	Spring clip.....	4		
	5 GJA 6604AAAEK	Demister grille-RH-Sable.....	1	(4)	
	5 GJA 6604AAAGE	Demister grille-RH-Antelope.....	1		
	5 GJA 6604AAHDV	Demister grille-RH-Dark teal.....	1		
	5 GJA 6604AALEG	Demister grille-RH-Warm charcoal.....	1		
	5 GJA 6604AASDC	Demister grille-RH-Coffee.....	1		
	5 GJA 6605AAAEK	Demister grille-LH-Sable.....	1		
	5 GJA 6605AAAGE	Demister grille-LH-Antelope.....	1		
	5 GJA 6605AAHDV	Demister grille-LH-Dark teal.....	1		
	5 GJA 6605AALEG	Demister grille-LH-Warm charcoal.....	1		
	5 GJA 6605AASDC	Demister grille-LH-Coffee.....	1		



TV6108a

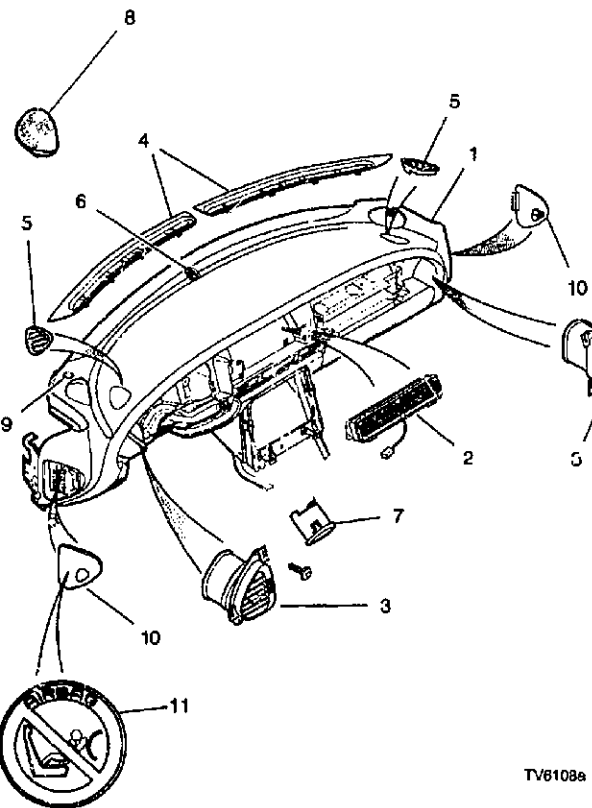
CHANGE POINTS:

- (1) To (N) 014657
- (2) From (V) 014668
- (3) From (V) 014668 To (N) 018107
- (4) To (V) 018107

FACIA

FACIA PANEL

Illus	Part Number	Description	Quantity	Change Point	Remarks
	6 GJA 6618AA AEK	Facia centre cover-Sable	1		
	6 GJA 6618AA AGE	Facia centre cover-Antelope	1		
	6 GJA 6618AA HDV	Facia centre cover-Dark teal	1		
	6 GJA 6618AA LEG	Facia centre cover-Warm charcoal	1		
	6 GJA 6618AA SDC	Facia centre cover-Coffee	1	(1)	
	7 GJA 6436AB AGD	Bezel-fog lamp switch-Oatmeal	1		
	7 GJA 6436AB HDX	Bezel-fog lamp switch-Teal	1		
	7 GJA 6436AB LEG	Bezel-fog lamp switch-Warm charcoal	1		
	7 GJA 6436AB NDR	Bezel-fog lamp switch-Cream	1		
	7 GJA 6436AB SDC	Bezel-fog lamp switch-Coffee	1	(1)	
	7 GJA 6436AB NED	Bezel-fog lamp switch-Ivory	1		
	7 GJA 6436AB SDZ	Bezel-fog lamp switch-Cashmere	1	(2)	
	8 GJA 6608AC AEK	Speaker grille-RH-facia-Sable	1		
	8 GJA 6608AC AGE	Speaker grille-RH-facia-Antelope	1		
	8 GJA 6608AC HDV	Speaker grille-RH-facia-Dark teal	1		
	8 GJA 6608AC LEG	Speaker grille-RH-facia-Warm charcoal	1		
	8 GJA 6608AC SDC	Speaker grille-RH-facia-Coffee	1	(1)	
	8 GJA 6609AC AEK	Speaker grille-LH-facia-Sable	1		
	8 GJA 6609AC AGE	Speaker grille-LH-facia-Antelope	1		
	8 GJA 6609AC HDV	Speaker grille-LH-facia-Dark teal	1		
	8 GJA 6609AC LEG	Speaker grille-LH-facia-Warm charcoal	1		
	8 GJA 6609AC SDC	Speaker grille-LH-facia-Coffee	1	(1)	
	9 GJA 6617AA AEK	Bezel-solar sensor-Sable	1		
	9 GJA 6617AA AGE	Bezel-solar sensor-Antelope	1		
	9 GJA 6617AA HDV	Bezel-solar sensor-Dark teal	1		
	9 GJA 6617AA LEG	Bezel-solar sensor-Warm charcoal	1		
	9 GJA 6617AA SDC	Bezel-solar sensor-Coffee	1	(1)	



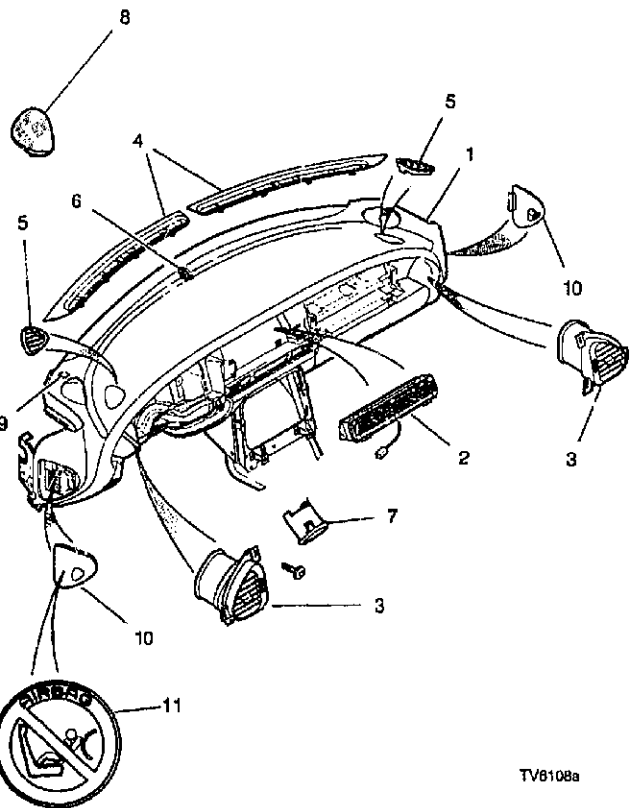
TV6103a

CHANGE POINTS:

(1) To (V) 018107

(2) From (V) 018108

Illus	Part Number	Description	Quantity	Change Point	Remarks
	10 GJA 6658AA AGD	Facia end panel -RH side-Oatmeal.....	1		
	10 GJA 6658AA HDX	Facia end panel -RH side-Teal.....	1		
	10 GJA 6658AA LEG	Facia end panel -RH side-Warm charcoal	1		
	10 GJA 6658AA SDC	Facia end panel -RH side-Coffee.....	1] (1)	
	10 GJA 6658AA NDR	Facia end panel -RH side-Cream	1		
	10 GJA 6658AA NED	Facia end panel -RH side-Ivory	1] (2)	
	10 GJA 6658AA SDZ	Facia end panel -RH side-Cashmere.....	1		
	10 GJA 6659AA AGD	Facia end panel -LH side-Oatmeal.....	1		
	10 GJA 6659AA HDX	Facia end panel -LH side-Teal	1		
	10 GJA 6659AA LEG	Facia end panel -LH side-Warm charcoal	1		
	10 GJA 6659AA SDC	Facia end panel -LH side-Coffee	1] (1)	
	10 GJA 6659AA NDR	Facia end panel -LH side-Cream	1		
	10 GJA 6659AA NED	Facia end panel -LH side-Ivory.....	1] (2)	
	10 GJA 6659AA SDZ	Facia end panel -LH side-Cashmere.....	1		
	11 GNA 2620CA	Passenger airbag label -warning-RH.....	1		
	GJA 6100AA AGD	Aspirator grille-facia-Oatmeal	1		
	GJA 6100AA HDX	Aspirator grille-facia-Teal	1		
	GJA 6100AA LEG	Aspirator grille-facia-Warm charcoal	1		
	GJA 6100AA NED	Aspirator grille-facia-Ivory	1		
	GJA 6100AA SDZ	Aspirator grille-facia-Cashmere	1		
	GJA 643AA	Facia mounting bracket-lower	1		
	GJA 6431AD	Facia panel reinforcement-passenger side-lower	1		
	GJA 6439AD	Facia panel reinforcement-driver's side-lower	1		
	JXR 10635B	Torx flange head screw-paint clearing	A/R		
	JZE 100048	Retaining clip-speaker bezel	4		
	JET 200008	Edge clip-double	1		



TV8108a

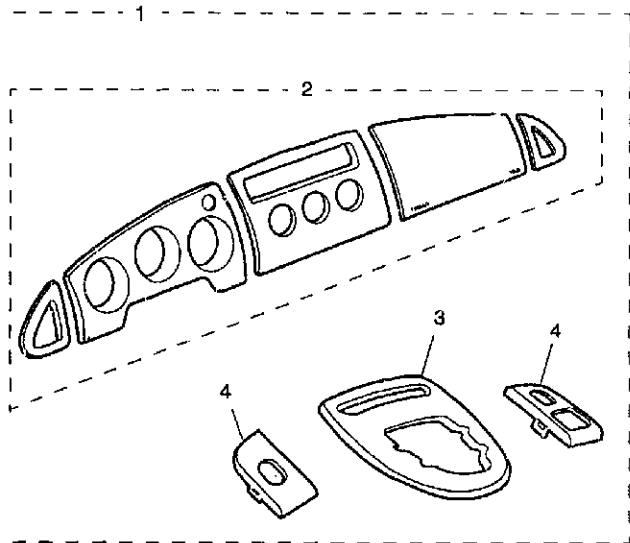
CHANGE POINTS:

(1) To (V) 018107

(2) From (V) 018108

IN CAR VENEER SET

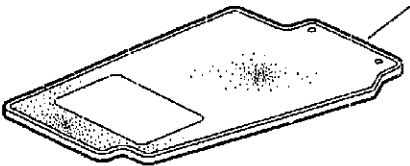


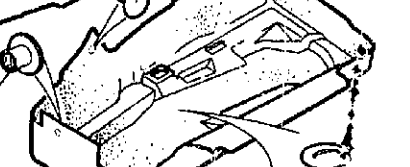
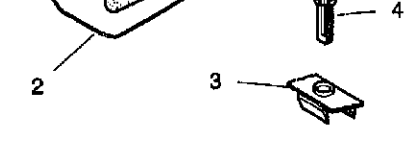

Illus	Part Number	Description	Quantity	Change Point	Remarks
	1 GJA 7071AH	Veneer kit-car set-burr walnut.....	1	}	(1)
	1 GJA 7071BB	Veneer kit-car set-birds eye maple.....	1		
	1 GJB 7071AA	Veneer kit-car set-burr walnut-Brass decal.....	1	}	(2)
	1 GJB 7071BA	Veneer kit-car set-birds eye maple-Stainless steel decal.....	1		
	2 GJA 6927AH	Facia veneer kit -burr walnut.....	1	}	(1)
	2 GJA 6927BB	Facia veneer kit -birds eye maple.....	1		
	2 GJB 6927AA	Facia veneer kit -burr walnut-Brass decal.....	1	}	(2)
	2 GJB 6927BA	Facia veneer kit -birds eye maple-Stainless steel decal.....	1		
	JZE 100044	Spring clip.....	24	(2)	
	13 GJA 7831AD	Console panel veneer-centre console-burr walnut.....	1		
	13 GJA 7831BB	Console panel veneer-centre console-birds eye maple.....	1		
	JZE 100045	Spring clip.....	6		
	4 GJA 1384CC	Switchpack finisher-burr walnut-veneer-RH door.....	1		
	4 GJA 1384FA	Switchpack finisher-birds eye maple-veneer-RH door.....	1		
	4 GJA 1385CC	Switchpack finisher-burr walnut-veneer-LH door.....	1		
	4 GJA 1385EA	Switchpack finisher-birds eye maple-veneer-LH door.....	1		

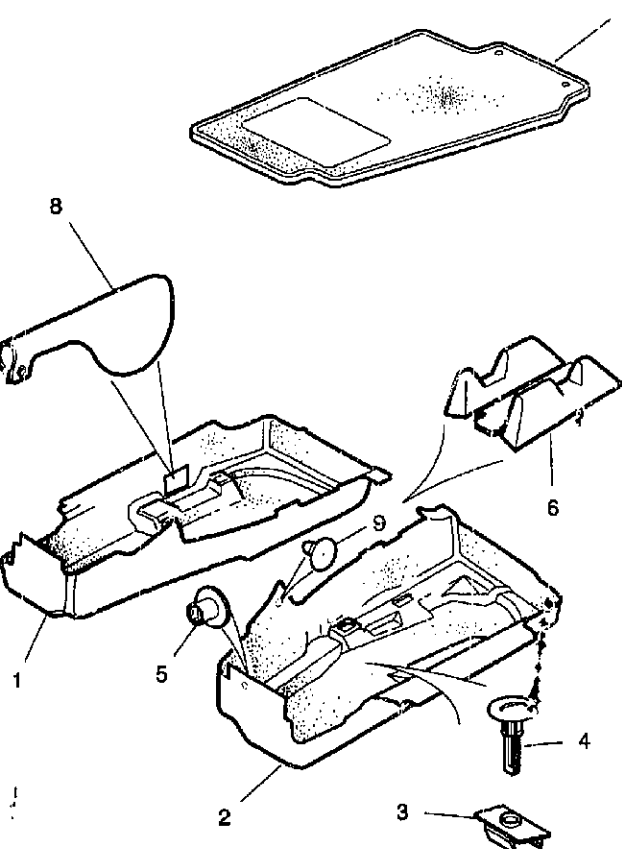


TV8248

CHANGE POINTS:
(1) To (V) 024888
(2) From (V) 024687

CARPET-COUPÉ

Illustration	Part Number	Description	Quantity	Change Point	Remarks
	1 GJA 9460BHAEK	Carpet-RH-main floor -Sable.....	1] (1)	
	1 GJA 9460BHDX	Carpet-RH-main floor -Teal.....	1		
	7 1 GJA 9460BHLFN	Carpet-RH-main floor -Flint grey.....	1		
	1 GJA 9460BHSDC	Carpet-RH-main floor -Coffee.....	1		
	1 GJA 9460BJAEK	Carpet-RH-main floor -Sable.....	1] (2)	
	1 GJA 9460BJDX	Carpet-RH-main floor -Teal.....	1		
	1 GJA 9460BJLFN	Carpet-RH-main floor -Flint grey.....	1		
	1 GJA 9460BJSDC	Carpet-RH-main floor -Coffee.....	1		
	1 GJA 9460BLAEK	Carpet-RH-main floor -Sable.....	1] (3)	
	1 GJA 9460BLDX	Carpet-RH-main floor -Teal.....	1		
	1 GJA 9460BLFN	Carpet-RH-main floor -Flint grey.....	1		
	1 GJB 9460BAAEK	Carpet-RH-main floor -Sable.....	1] (4)	
	1 GJB 9460BADX	Carpet-RH-main floor -Teal.....	1		
	1 GJB 9460BALFN	Carpet-RH-main floor -Flint grey.....	1		
	1 GJB 9460BBAEK	Carpet-RH-main floor -Sable.....	1] (5)	
	1 GJB 9460BBDX	Carpet-RH-main floor -Teal.....	1		
	1 GJB 9460BBLFN	Carpet-RH-main floor -Flint grey.....	1		
	2 GJA 9461BHAEK	Carpet-LH-main floor -Sable.....	1] (1)	
	2 GJA 9461BHDX	Carpet-LH-main floor -Teal.....	1		
	2 GJA 9461BHLFN	Carpet-LH-main floor -Flint grey.....	1		
	2 GJA 9461BHSDC	Carpet-LH-main floor -Coffee.....	1		
	2 GJA 9461BJAEK	Carpet-LH-main floor -Sable.....	1] (2)	
	2 GJA 9461BJDX	Carpet-LH-main floor -Teal.....	1		
	2 GJA 9461BJLFN	Carpet-LH-main floor -Flint grey.....	1		
	2 GJA 9461BJSDC	Carpet-LH-main floor -Coffee.....	1		

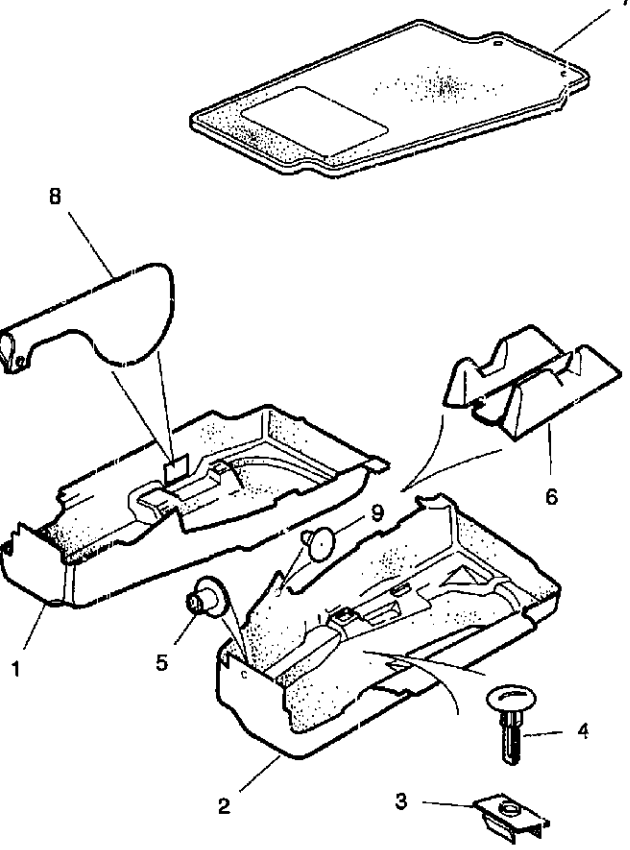


CHANGE POINTS:

- (1) To (V) 017307
- (2) From (V) 017308 To (V) 018107
- (3) From (V) 018108 To (V) 024686
- (4) From (V) 024687 To (V) 028938
- (5) From (V) 028939

CARPET-COUPÉ

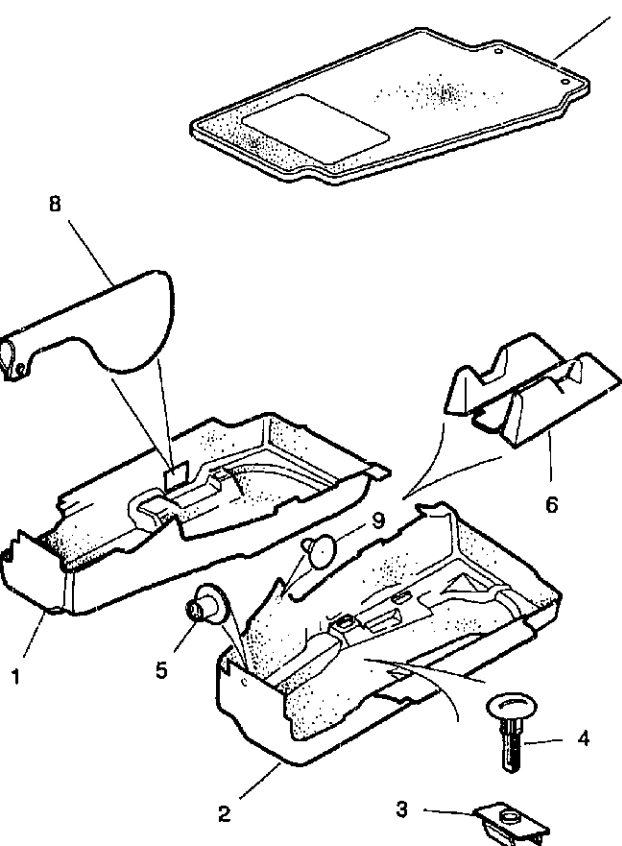
Illus	Part Number	Description	Quantity	Change Point	Remarks
	2 GJA 94E1BLAEK	Carpet-LH-main floor -Sable.....	NLA		
	2 GJB 9461BAAEK	Carpet-LH-main floor -Sable.....	1		
	7 2 GJA 9461BLHDX	Carpet-LH-main floor -Teal.....	1	(1)	Use GJB94E1BAAEK.
	2 GJA 9461BLLFN	Carpet-LH-main floor -Flint grey.....	1		
	2 GJB 9461BAAEK	Carpet-LH-main floor -Sable.....	1	(2)	
	2 GJB 9461BAHDX	Carpet-LH-main floor -Teal.....	1		
	2 GJB 9461BALFN	Carpet-LH-main floor -Flint grey.....	1		
	2 GJB 9461BBAEK	Carpet-LH-main floor -Sable.....	1	(3)	
	2 GJB 9461BBHDX	Carpet-LH-main floor -Teal.....	1		
	2 GJB 9461BBLFN	Carpet-LH-main floor -Flint grey.....	1		
	3 KRF 100C01	Cam plate.....	4		
	4 AGU 2229 AEK	Turn stud-Sable.....	4		
	4 AGU 2229 HDX	Turn stud-Teal.....	4		
	4 AGU 2229 HFZ	Turn stud-Green.....	4		
	4 AGU 2229 LFM	Turn stud-Shadow gray.....	4		
	4 AGU 2229 LFN	Turn stud-Flint grey.....	4		
	4 AGU 2229 SDC	Turn stud-Coffee.....	4		
	5 AGU 2711	Stud.....	2		
	6 GJA 9476AB	Carpet support bracket.....	1		
	7 GJB 9462BAAEK	Drop in carpet-RH front floor-Sable.....	1		
	7 GJB 9462BAHDX	Drop in carpet-RH front floor-Teal.....	1		
	7 GJB 9462BALFN	Drop in carpet-RH front floor-Flint grey.....	1		
	7 GJB 9462BASDC	Drop in carpet-RH front floor-Coffee.....	1	(4)	



CHANGE POINTS:
 (1) From (V) 018108 To (V) 024686
 (2) From (V) 024687 To (V) 028938
 (3) From (V) 028939
 (4) To (V) 018107

CARPET-COLUPE

Illus	Part Number	Description	Quantity	Change Point	Remarks
	7	GJB 9463CA AEK Drop in carpet-LH front floor-Sable	1] (1)	
	7	GJB 9463CA HDX Drop in carpet-LH front floor-Teal	1		
	7	GJB 9463CA LFN Drop in carpet-LH front floor-Flint grey	1		
	7	GJB 9463CA SDC Drop in carpet-LH front floor-Coffee	1	(2)	
	7	GJC 9463CA AEK Drop in carpet-LH front floor-Sable	1] (3)	
	7	GJC 9463CA HDX Drop in carpet-LH front floor-Teal	1		
	7	GJC 9463CA LFN Drop in carpet-LH front floor-Flint grey	1		
	8	GHF 9539AG AGD Handbrake cover-LH-Oatmeal	1] (2)	
	8	GHF 9539AG HDX Handbrake cover-LH-Teal	1		
	8	GHF 9539AG LEG Handbrake cover-LH-Warm charcoal	1		
	8	GHF 9539AG NDR Handbrake cover-LH-Cream	1		
	8	GHF 9539AG SDC Handbrake cover-LH-Coffee	1		
	8	GHF 9539AG NED Handbrake cover-LH-Ivory	1] (4)	
	8	GHF 9539AG SDZ Handbrake cover-LH-Cashmere	1		
	9	BBC 7525 LEG Fixing button-Warm charcoal	2		

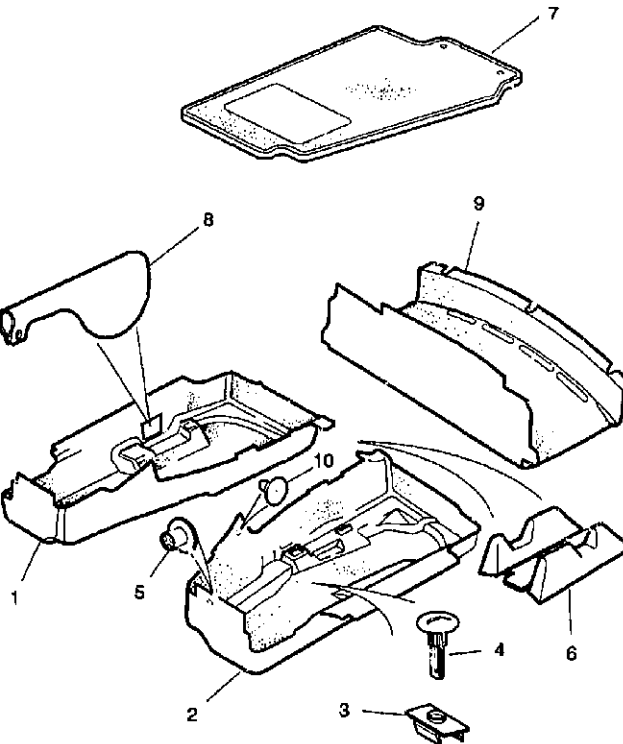


CHANGE POINTS:

- (1) To (V) 024686
- (2) To (V) 018107
- (3) From (V) 024687
- (4) From (V) 018108

CARPET-CONVERTIBLE

Illus	Part Number	Description	Quantity	Change Point	Remarks
	1 GJA 9460BHAEK	Carpet-RH-main floor -Sable.....	1] (1)	
	1 GJA 9460BHDX	Carpet-RH-main floor -Teal.....	1		
	1 GJA 9460BHLFN	Carpet-RH-main floor -Flint grey.....	1		
	1 GJA 9460BHSDC	Carpet-RH-main floor -Coffee.....	1		
	1 GJA 9460BJAEK	Carpet-RH-main floor -Sable.....	1] (2)	
	1 GJA 9460BJDX	Carpet-RH-main floor -Teal.....	1		
	1 GJA 9460BJLFN	Carpet-RH-main floor -Flint grey.....	1		
	1 GJA 9460BJSDC	Carpet-RH-main floor -Coffee.....	1		
	1 GJA 9460BLAEK	Carpet-RH-main floor -Sable.....	1] (3)	
	1 GJA 9460BLDX	Carpet-RH-main floor -Teal.....	1		
	1 GJA 9460BLFN	Carpet-RH-main floor -Flint grey.....	1		
	1 GJB 9460BAAEK	Carpet-RH-main floor -Sable.....	1] (4)	
	1 GJB 9460BADX	Carpet-RH-main floor -Teal.....	1		
	1 GJB 9460BALFN	Carpet-RH-main floor -Flint grey.....	1		
	1 GJB 9460BBAEK	Carpet-RH-main floor -Sable.....	1] (5)	
	1 GJB 9460BBDX	Carpet-RH-main floor -Teal.....	1		
	1 GJB 9460BBLFN	Carpet-RH-main floor -Flint grey.....	1		
	2 GJA 9461BHAEK	Carpet-LH-main floor -Sable.....	1] (1)	
	2 GJA 9461BHDX	Carpet-LH-main floor -Teal.....	1		
	2 GJA 9461BHLFN	Carpet-LH-main floor -Flint grey.....	1		
	2 GJA 9461BHSDC	Carpet-LH-main floor -Coffee.....	1		
	2 GJA 9461BJAEK	Carpet-LH-main floor -Sable.....	1] (2)	
	2 GJA 9461BJDX	Carpet-LH-main floor -Teal.....	1		
	2 GJA 9461BJLFN	Carpet-LH-main floor -Flint grey.....	1		
	2 GJA 9461BJSDC	Carpet-LH-main floor -Coffee.....	1		



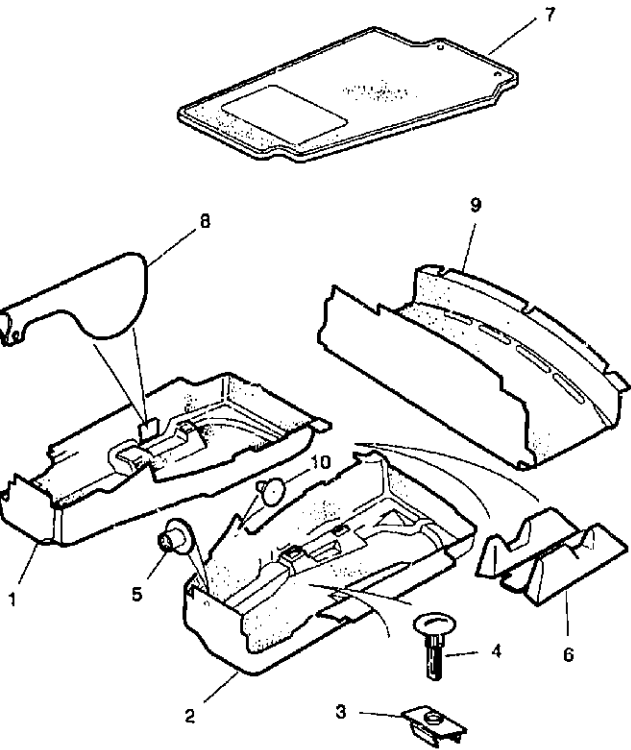
TV6234

CHANGE POINTS:

- (1) To (V) 017307
- (2) From (V) 017308 To (V) 018107
- (3) From (V) 018108 To (V) 024686
- (4) From (V) 024687 To (V) 028938
- (5) From (V) 028939

CARPET-CONVERTIBLE

Illuc	Part Number	Description	Quantity	Change Point	Remarks
	2 GJA 9461BLAEK	Carpet-LH-main floor -Sable.....	NLA	(1).....	Use GJB9461BAAEK.
	GJB 9461BAAEK	Carpet-LH-main floor -Sable.....	1		
	2 GJA 9461BLHDX	Carpet-LH-main floor -Teal.....	1	(1)	
	2 GJA 9461BLLFN	Carpet-LH-main floor -Flint grey.....	1		
	2 GJB 9461BAAEK	Carpet-LH-main floor -Sable.....	1	(2)	
	2 GJB 9461BAHDX	Carpet-LH-main floor -Teal.....	1		
	2 GJB 9461BALFN	Carpet-LH-main floor -Flint grey.....	1		
	2 GJB 9461BBAEK	Carpet-LH-main floor -Sable.....	1	(3)	
	2 GJB 9461BBHDX	Carpet-LH-main floor -Teal.....	1		
	2 GJB 9461BBLFN	Carpet-LH-main floor -Flint grey.....	1		
	3 KRF 100001	Cam plate.....	4		
	4 AGU 2229 AEK	Turn stud-Sable.....	4		
	4 AGU 2229 HDX	Turn stud-Teal.....	4		
	4 AGU 2229 HFZ	Turn stud-Green.....	4		
	4 AGU 2229 LFM	Turn stud-Shadow grey.....	4		
	4 AGU 2229 LFN	Turn stud-Flint grey.....	4		
	4 AGU 2229 SDC	Turn stud-Coffee.....	4		
	5 AGU 2711	Stud.....	2		
	6 GJA 9476AB	Carpet support bracket.....	1		
	7 GJB 9462BAAEK	Drop in carpet-RH front floor-Sable.....	1	(4)	
	7 GJB 9462BAHDX	Drop in carpet-RH front floor-Teal.....	1		
	7 GJB 9462BALFN	Drop in carpet-RH front floor-Flint grey.....	1		
	7 GJB 9462BASDC	Drop in carpet-RH front floor-Coffee.....	1		



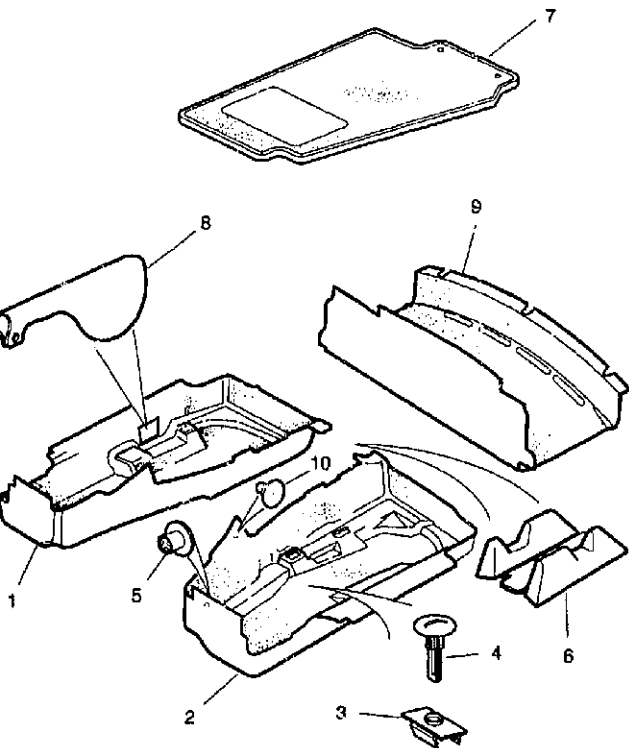
TV8234

CHANGE POINTS:

- (1) From (V) 018108 To (V) 024686
- (2) From (V) 024687 To (V) 028938
- (3) From (V) 028939
- (4) To (V) 018107

CARPET-CONVERTIBLE

Illus	Part Number	Description	Quantity	Change Point	Remarks
	7	GJB 9463CA AEK Drop in carpet-LH front floor-Sable.....	1] (1)	
	7	GJB 9463CA HDX Drop in carpet-LH front floor-Teal.....	1		
	7	GJB 9463CA LFN Drop in carpet-LH front floor-Flint grey.....	1		
	7	GJB 9463CA SDC Drop in carpet-LH front floor-Coffee.....	1	(2)	
	7	GJC 9463CA AEK Drop in carpet-LH front floor-Sable.....	1] (3)	
	7	GJC 9463CA HDX Drop in carpet-LH front floor-Teal.....	1		
	7	GJC 9463CA LFN Drop in carpet-LH front floor-Flint grey.....	1		
	8	GHF 9539AG AGD Handbrake cover-LH-Oatmeal.....	1] (2)	
	8	GHF 9539AG HDX Handbrake cover-LH-Teal.....	1		
	8	GHF 9539AG LEG Handbrake cover-LH-Warm charcoal.....	1		
	8	GHF 9539AG NDR Handbrake cover-LH-Cream.....	1		
	8	GHF 9539AG SDC Handbrake cover-LH-Coffee.....	1		
	8	GHF 9539AG NED Handbrake cover-LH-Ivory.....	1] (4)	
	8	GHF 9539AG SDZ Handbrake cover-LH-Cashmere.....	1		
	9	GJA 9466AE AEK Roof container carpet-Sable.....	1] (5)	
	9	GJA 9466AE LFN Roof container carpet-Flint grey.....	1		
	9	GJA 9466AF AEK Roof container carpet-Sable.....	1] (6)	
	9	GJA 9466AF LFN Roof container carpet-Flint grey.....	1		
	10	BBC 7525 LEG Fixing button-Warm charcoal.....	2		



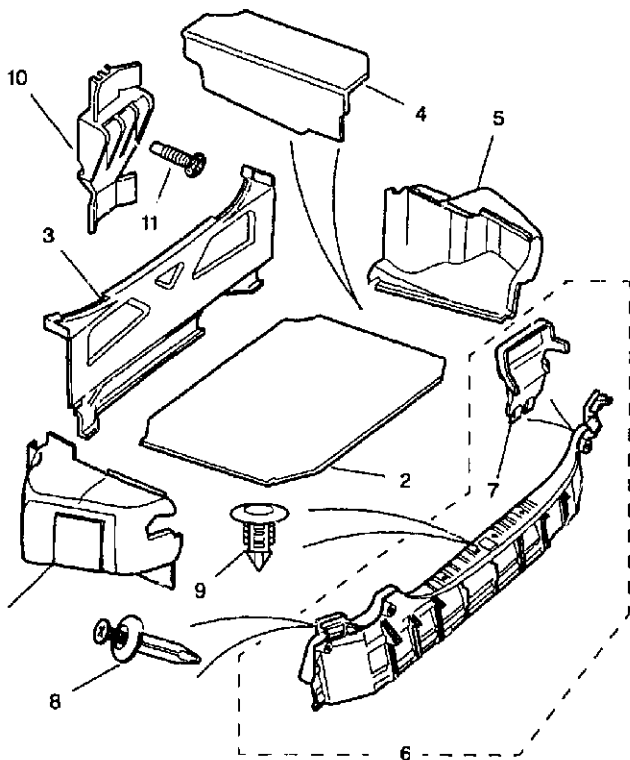
TV8234

CHANGE POINTS:

- (1) To (V) 024686
- (2) To (V) 018107
- (3) From (V) 024687
- (4) From (V) 018108
- (5) To (V) 017307
- (6) From (V) 017308

TRUNK CARPET

Qty	Part Number	Description	Quantity	Change Point	Remarks
1	GJA 3613AL	Trunk side carpet-LH side-Flint grey	1		Coupe
1	GJA 3613BL	Trunk side carpet-LH side-Flint grey	1		Convertible 2+2
2	GJA 3618AH	Trunk floor carpet-Flint grey	1	(1).....	Space saver spare wheel
2	GJC 3618AA	Trunk floor carpet-Flint grey	1	(2).....	
2	GJA 3618BH	Trunk floor carpet-Flint grey	1	(1).....	Except space saver spare wheel
2	GJC 3618BA	Trunk floor carpet-Flint grey	1	(2).....	
3	GJA 3610AL	Trunk carpet-front-Flint grey.....	1	(1).....	Coupe
3	GJC 3610AA	Trunk carpet-front-Flint grey.....	1	(2).....	
3	GJA 3610BM	Trunk carpet-front-Flint grey.....	1	(1).....	Convertible 2+2
3	GJC 3610BA	Trunk carpet-front-Flint grey.....	1	(2).....	
4	GJA 3620AG	Battery cover-trunk -Flint grey	1	(1).....	Space saver spare wheel
4	GJC 3620AA	Battery cover-trunk -Flint grey	1	(2).....	
1/5	GJA 3612CL	Trunk side carpet-RH side-Flint grey	1		Coupe;with compact disc player
1/5	GJA 3612AM	Trunk side carpet-RH side-Flint grey	1		Coupe;without compact disc player
1/5	GJA 3612DK	Trunk side carpet-RH side-Flint grey	1		Convertible 2+2;with compact disc player
1/5	GJA 3612BL	Trunk side carpet-RH side-Flint grey	1		Convertible 2+2,without compact disc player

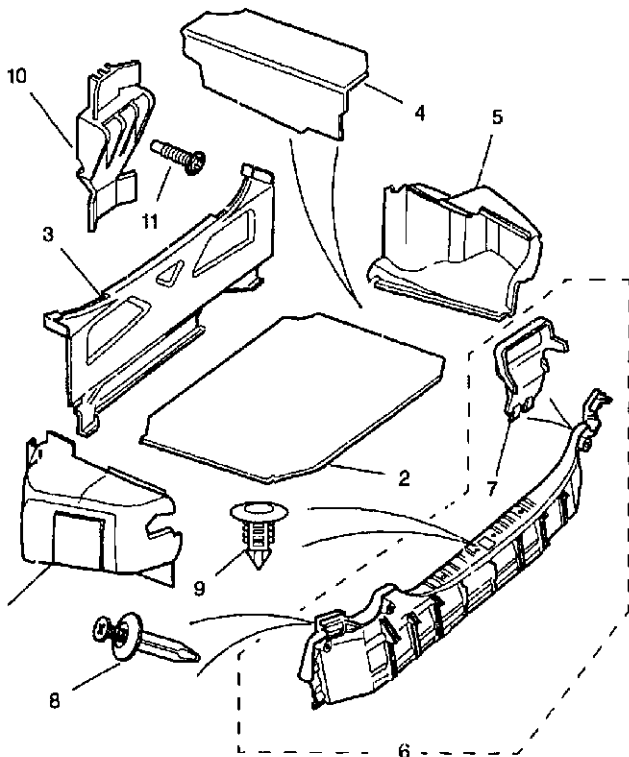


TV6266

CHANGE POINTS:
(1) To (V) 031302
(2) From (V) 031303

TRUNK CARPET

Illus	Part Number	Description	Quantity	Change Point	Remarks
6	HJA 5280AD	PANEL COVER-REAR -TRUNK	1	(1)	
7	HJA 5282AB	• Flap-trunk lamp access-RH	NLA		Use HJA5282AC.
7	HJA 5283AB	• Flap-trunk lamp access-LH	NLA		Use HJA5283AC.
6	HJA 5280AE	PANEL COVER-REAR -TRUNK	1	(2)	
7	HJA 5282AC	• Flap-trunk lamp access-RH	1		
7	HJA 5283AC	• Flap-trunk lamp access-LH	1		
8	KRS 113180	Screw rivet-plastic-pan head	4		
9	XTC 100010	Fir tree clip	4		
10	UJA 3622AB	Trunk floor support block	4		
11	JXR 10625B	Paint clearing screw-flanged head	4		

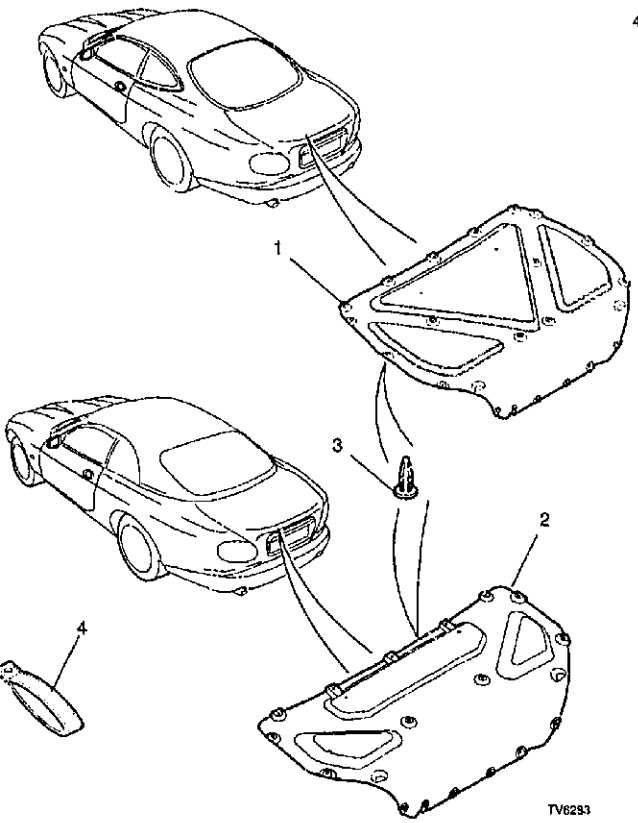


TV5266

CHANGE POINTS:
(1) To (V) 010299
(2) From (V) 010300

TRUNK LID LINER

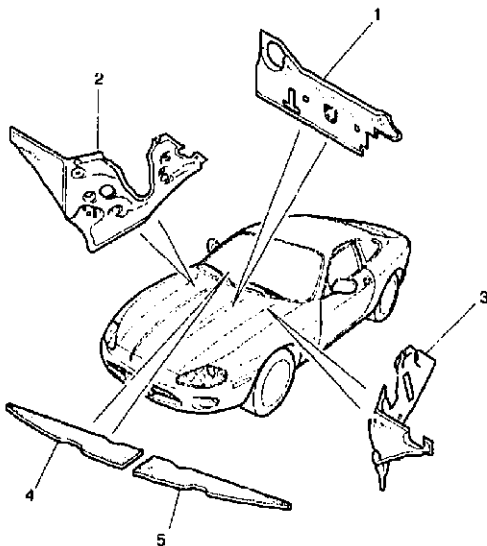
Illus	Part Number	Description	Quantity	Change Point	Remarks
1	GJA 3616AG	Trunk lid liner.....	1		Coupe
2	GJA 3616BG	Trunk lid liner.....	1		Convertible 2+2
3	AGU 2530	Push in fastener-Black.....	16		
4	GJA 3780AA LEG	Strap-pull down-Warm charcoal	1		



TV6293

SOUND DEADENING-UNDER BONNET

Illus	Part Number	Description	Quantity	Change Point	Remarks
1	GJA 9374AB	Bulkhead insulation -centre-upper.....	1		
2	GJA 9372AE	Bulkhead insulation -RH upper.....	1	} (1)	
3	GJA 9373AE	Bulkhead insulation -LH upper.....	1		
4	GJA 9380AC	Insulation pad-RH.....	1		
5	GJA 9381AC	Insulation pad-LH.....	1		



TV6339

CHANGE POINTS:
(1) From (V) 004706

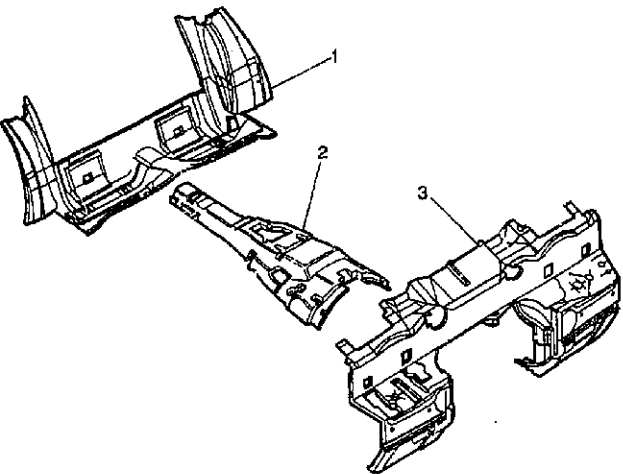
MASTER INDEX	
ENGINE	1 D
ENGINE MANAGEMENT/EMISSION SYSTEMS	1 F
AIR AND FUEL DELIVERY SYSTEMS	1 G
ENGINE COOLING SYSTEM	1 H
EXHAUST SYSTEM AND COMPONENTS	1 I
TRANSMISSION AND DRIVELINE	1 J
STEERING AND SUSPENSION	1 K
BRAKING SYSTEM	1 M
AIR CONDITIONING/HEATING/VENTILATION	1 N
WIPER AND WASHER SYSTEMS	1 O
ELECTRICAL DISTRIBUTION SYSTEM	2 C
INFORMATION SYSTEMS AND CONTROLS	2 E
BATTERY/STARTER MOTOR/ALTERNATOR	2 F
IN CAR ENTERTAINMENT	2 G
LIGHTING - EXTERIOR/INTERIOR	2 H
LOCKING/SECURITY SYSTEMS/HORNS	2 I
SEATING	2 J
OCCUPANT RESTRAINTS	2 L
INTERIOR TRIM AND LININGS	2 M
EXTERIOR FITTINGS AND SUNROOF	3 C
BODY CLOSURES AND SEALING	3 D
BODY METAL PANELS AND SEALING	3 G
ACCESSORIES/CONSUMABLES/INDEX	3 H

GROUP INDEX	
BODY INTERIOR FIXTURES AND FITTINGS	2 M 03
CENTRE CONSOLE	2 M 05
DOOR INTERIOR TRIM AND FINISHERS	2 M 16
FACIA	2 N 04
FLOOR COVERINGS/CARPETS	2 N 09
GLOVEBOX	2 O 03
HEADLININGS AND SUNVISORS	2 O 05
INSULATION/LINERS	2 N 17
PARCEL SHELF AND SUNBLINDS	2 O 08
QUARTER CASINGS	2 M 09
REAR VIEW MIRRORS	2 N 03
TREADPLATES	2 M 02
VENEERS AND WOOD SETS	2 N 08

CARPET-CONVERTIBLE	2 N 12
CARPET-COUCPE	2 N 06
CENTRE CONSOLE AND ARMREST-FRONT	2 M 05
DOOR CASING AND ARMREST	2 M 16
DRIVERS STOWAGE AND KNEE BOLSTER	2 O 04
FACIA PANEL	2 N 04
FOOTREST ASSEMBLY	2 M 03
GLOVEBOX	2 O 03
HEADER RAIL AND A-POST TRIM	2 O 07
HEADLINING AND A-POST TRIM-COUCPE	2 O 08
IN CAR VENEER SET	2 N 08
PARCEL SHELF-REAR-COUCPE	2 O 08
QUARTER CASING-REAR-CONVERTIBLE	2 M 13
QUARTER CASING-REAR-COUCPE	2 M 09
REAR VIEW MIRROR	2 N 03
ROOF CONSOLE	2 M 04
SOUND DEADENING-INTERIOR	2 O 02
SOUND DEADENING-UNDER BONNET	2 N 18
SUNVISOR	2 O 05
TREADPLATE	2 M 02
TRUNK CARPET	2 N 15
TRUNK LID LINER	2 N 17

SCOUND DEADENING-INTERIOR

Illus	Part Number	Description	Quantity	Change Point	Remarks
	1 GJA 92B4BC	Seat insulation -rear	1	(1).....]Convertible 2+2
	1 GJA 92B4BE	Seat insulation -rear	1	(2).....	
	1 GJA 92B4AE	Seat insulation -rear	1	Coupe
	2 GJA 9320AE	Tunnel insulation	1	(3)	
	2 GJA 9320AG	Tunnel insulation	1	(4)	
	2 GJB 9320AB	Tunnel insulation	1	(5)	
	3 GJA 9280BE	Toeboard insulation.....	1	(6)	
	3 GJA 9280BF	Toeboard insulation.....	1	(7)	



TV 6559

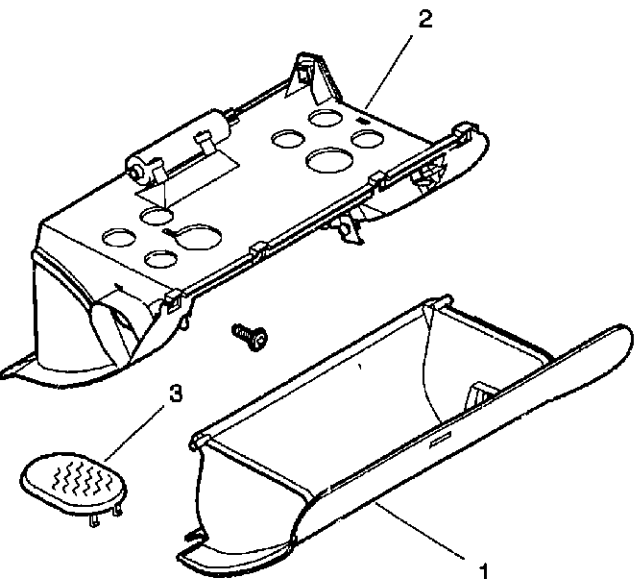
CHANGE POINTS:

- (1) To (V) 004705
- (2) From (V) 004706
- (3) To (V) 003249
- (4) From (V) 003250 To (V) 019952
- (5) From (V) 019953
- (6) To (V) 024686
- (7) From (V) 024687

GLOVEBOX

GLOVEBOX

Qty	Part Number	Description	Quantity	Change Point	Remarks
1	GJA 6022AE AGD	Knee bolster-passenger side-Oatmeal	1] (1)	
1	GJA 6022AE HDX	Knee bolster-passenger side-Teal	1		
1	GJA 6022AE LEG	Knee bolster-passenger side-Warm charcoal	1		
1	GJA 6022AE NDR	Knee bolster-passenger side-Cream	1] (2)	
1	GJA 6022AE SDC	Knee bolster-passenger side-Coffee	1		
1	GJA 6022AE NED	Knee bolster-passenger side-Ivory	1] (3)	
1	GJA 6022AE SDZ	Knee bolster-passenger side-Cashmere	1		
1	GJA 6022AF AGD	Knee bolster-passenger side-Oatmeal	1] (4)	
1	GJA 6022AF HDX	Knee bolster-passenger side-Teal	1		
1	GJA 6022AF LEG	Knee bolster-passenger side-Warm charcoal	1		
1	GJA 6022AF NED	Knee bolster-passenger side-Ivory	1		
1	GJA 6022AF SDZ	Knee bolster-passenger side-Cashmere	1		
	HJA 7212BB	Glovebox lock barrel	1		
2	GJA 6112AH	Glovebox bolster liner-passenger side.....	1	(5)	
2	GJA 6112AJ	Glovebox bolster liner-passenger side.....	1	(6)	
3	LJA 5385AB	Lens-glovebox.....	1		
	HJA 8923AA	Airbag warning label-glovebox.....	1		



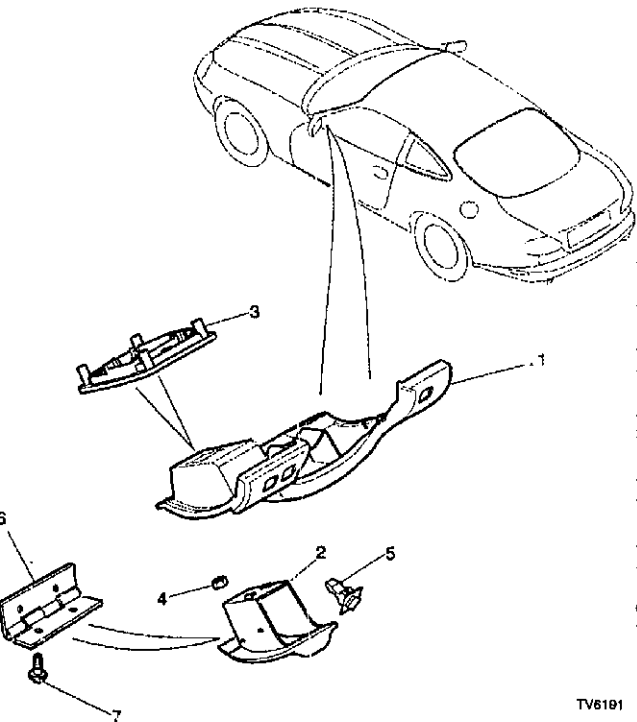
CHANGE POINTS:

- (1) To (V) 024686
- (2) To (V) 018107
- (3) From (V) 018108 To (V) 024686
- (4) From (V) 024687
- (5) To (V) 014367
- (6) From (V) 014685

TV6187a

DRIVERS STOWAGE AND KNEE BOLSTER

Illus	Part Number	Description	Quantity	Change Point	Remarks
	1 GJA 6009AFAGD	Knee bolster-driver's side-Oatmeal	NLA		
	1 GJA 6009AGAGD	Knee bolster-driver's side-Oatmeal	1	(1).....	Use GJA6009AGAGD.
	1 GJA 6009AFHDX	Knee bolster-driver's side-Teal.....	NLA		
	1 GJA 6009AGHDX	Knee bolster-driver's side-Teal.....	1	(1).....	Use GJA6009AGHDX.
	1 GJA 6009AFLEG	Knee bolster-driver's side-Warm charcoal	1] (1)	
	1 GJA 6009AFNDR	Knee bolster-driver's side-Cream	1		
	1 GJA 6009AFSDC	Knee bolster-driver's side-Coffee.....	1		
	1 GJB 6009AAAGD	Knee bolster-driver's side-Oatmeal	1] (2)	
	1 GJB 6009AAHDX	Knee bolster-driver's side-Teal.....	1		
	1 GJB 6009AALEG	Knee bolster-driver's side-Warm charcoal	1		
	1 GJA 6009AGNDR	Knee bolster-driver's side-Cream	1] (3)	
	1 GJA 6009AGSDC	Knee bolster-driver's side-Coffee.....	1		
	1 GJB 6009AANED	Knee bolster-driver's side-Ivory	1] (4)	
	1 GJB 6009AASDZ	Knee bolster-driver's side-Cashmere	1		
	2 GJA 6121ABAGD	Stowage box -Oatmeal	1] (5)	
	2 GJA 6121ABHDX	Stowage box -Teal.....	1		
	2 GJA 6121ABLEG	Stowage box -Warm charcoal	1		
	2 GJA 6121ABNDR	Stowage box -Cream	1		
	2 GJA 6121ABSDC	Stowage box -Coffee	1		
	2 GJA 6121ABNED	Stowage box -Ivory.....	1] (4)	
	2 GJA 6121ABSDZ	Stowage box -Cashmere	1		
	3 GJA 6059AB	Bezel-stowage box.....	1		
	4 AGU 1534	Nut-M4.....	4		
	5 GJA 6013AA	Striker-driver's side-knee bolster	2	(1)	
	5 GJA 6015AB	Striker-driver's side-knee bolster	2	(2)	
	6 GJA 6132BA	Hinge-stowage box.....	1		
	7 JXB 10512B	Screw.....	4		



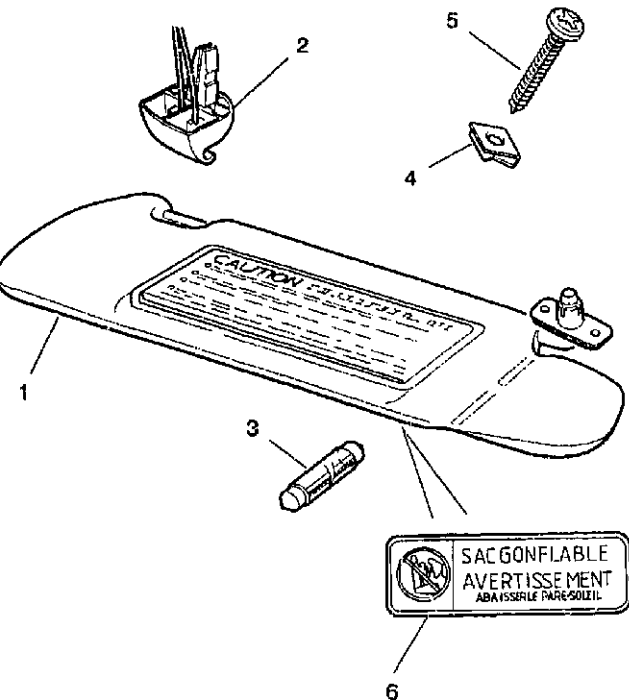
TV6191

CHANGE POINTS:

- (1) To (V) 014667
- (2) From (V) 014668
- (3) From (V) 014668 To (V) 018107
- (4) From (V) 018108
- (5) To (V) 018107

SUNVISOR

Illus	Part Number	Description	Quantity	Change Point	Remarks
	1 HJA 1072AA AGD	Illuminated sunvisor-assembly-RH-Oatmeal.....	1] (1)	
	1 HJA 1072AA LFJ	Illuminated sunvisor-assembly-RH-Nimbus grey	1		
	1 HJA 1073AA AGD	Illuminated sunvisor-assembly-LH-Oatmeal.....	1		
	1 HJA 1073AA LFJ	Illuminated sunvisor-assembly-LH-Nimbus grey.....	1		
	1 HJA 1072AB AGD	Illuminated sunvisor-assembly-RH-Oatmeal.....	1] (2)	
	1 HJA 1072AB LFJ	Illuminated sunvisor-assembly-RH-Nimbus grey	1		
	1 HJA 1073AB AGD	Illuminated sunvisor-assembly-LH-Oatmeal.....	1		
	1 HJA 1073AB LFJ	Illuminated sunvisor-assembly-LH-Nimbus grey.....	1		
	1 HJA 1072AD AGD	Illuminated sunvisor-assembly-RH-Oatmeal.....	1] (3)	
	1 HJA 1072AD LFJ	Illuminated sunvisor-assembly-RH-Nimbus grey	1		
	1 HJA 1073AD AGD	Illuminated sunvisor-assembly-LH-Oatmeal.....	1		
	1 HJA 1073AD LFJ	Illuminated sunvisor-assembly-LH-Nimbus grey.....	1		
	2 HJA 1084BA LFJ	Sunvisor support clip-Nimbus grey	2] (4)	
	2 HJA 1084BA AGD	Sunvisor support clip-Oatmeal	2		
	2 HJA 1084BC AGD	Sunvisor support clip-Oatmeal	2] (5)	
	2 HJA 1084BC LFJ	Sunvisor support clip-Nimbus grey.....	2		
	3 LJA 518v8A	Bulb.....	2		
	4 JAK 60856B	U-type spring nut	2	 Convertible 2+2
	4 JAK 60856B	U-type spring nut	4	 Coupe
	5 AB 608081 J	Self tapping screw	6		
	6 HJA 5094AC	Airbag alert label-sunvisor-Canadian French	1		



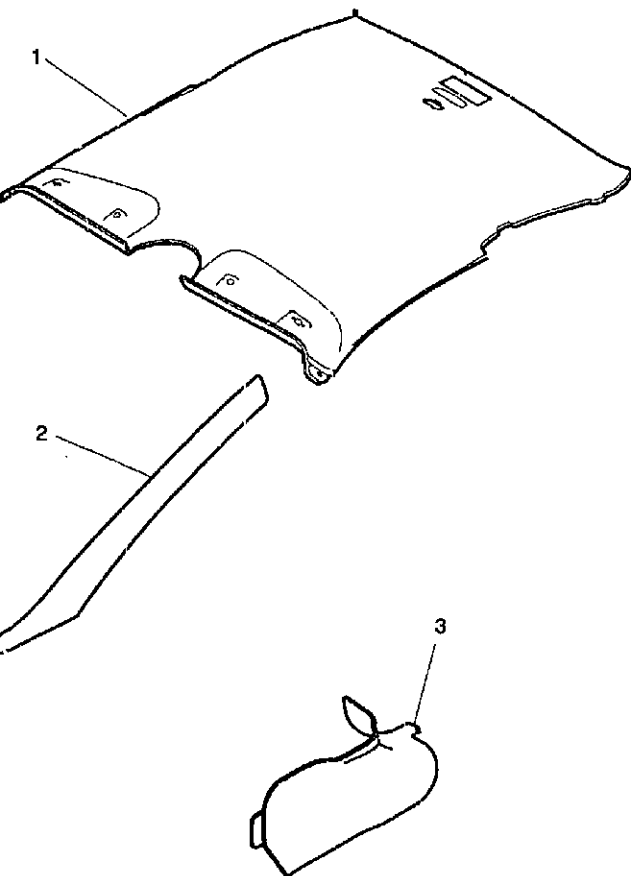
TV6284

CHANGE POINTS:

- (1) To (V) 010806
- (2) From (V) 010807 To (V) 017419
- (3) From (V) 017420
- (4) To (V) 009351
- (5) From (V) 009352

HEADLINING AND A-POSTY TRIM-COUPÉ

Illus	Part number	Description	Quantity	Change Point:	Remarks
	HJA 1005AB AGD	Headlining-Oatmeal.....	1	}	(1)
	HJA 1005AB L FJ	Headlining-Nimbus grey.....	1		
	HJA 1005AC AGD	Headlining-Oatmeal.....	1	}	(2)
	HJA 1005AC L FJ	Headlining-Nimbus grey.....	1		
	HJA 8928AA	Airbag warning label-headlining-Canadian French.....	1		
	HJA 2122AB AGD	A-post finisher-RH upper-Oatmeal.....	1		
	HJA 2122AB L FJ	A-post finisher-RH upper-Nimbus grey.....	1		
	HJA 2123AB AGD	A-post finisher-LH upper-Oatmeal.....	1		
	HJA 2123AB L FJ	A-post finisher-LH upper-Nimbus grey.....	1		
	HJA 1380AD A EK	A-post trim-RH lower-Sable.....	1		
	HJA 1380AD AGE	A-post trim-RH lower-Antelope.....	1		
	HJA 1380AD HDV	A-post trim-RH lower-Dark teal.....	1		
	HJA 1380AD LEG	A-post trim-RH-lower -Warm charcoal.....	1		
	HJA 1380AD SDC	A-post trim-RH-lower -Coffee.....	1		(3)
	HJA 1380AD SDZ	A-post trim-RH-lower -Cashmere.....	1		(4)
	HJA 1381AD A EK	A-post trim-LH lower-Sable.....	1		
	HJA 1381AD AGE	A-post trim-LH lower-Antelope.....	1		
	HJA 1381AD HDV	A-post trim-LH lower-Dark teal.....	1		
	HJA 1381AD LEG	A-post trim-LH-lower -Warm charcoal.....	1		
	HJA 1381AD SDC	A-post trim-LH-lower -Coffee.....	1		(3)
	HJA 1381AD SDZ	A-post trim-LH-lower -Cashmere.....	1		(4)

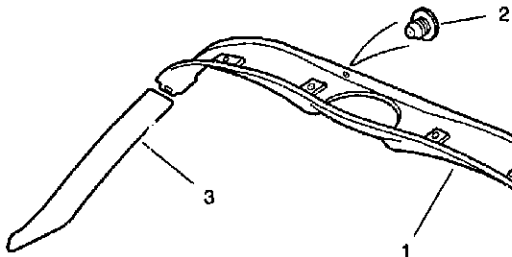


CHANGE POINTS:

- (1) To (V) 028025
- (2) From (V) 028026
- (3) To (V) 018107
- (4) From (V) 018108

HEADER RAIL AND A-POST TRIM-CONVERTIBLE

Illus	Part Number	Description	Quantity	Change Point	Remarks
	1 HJA 2155ABAGD	Finisher-front header-Oatmeal.....	1		
	1 HJA 2155ABLFJ	Finisher-front header-Nimbus grey.....	1		
	HJA 8928AA	Airbag warning label-headlining-Canadian French.....	1		
	2 HJA 2132AAAGD	Blanking plug-header rail-Oatmeal.....	1		
	2 HJA 2132AALFJ	Blanking plug-header rail-Nimbus grey.....	1		
	3 HJA 2122ABAGD	A-post finisher-RH upper-Oatmeal.....	1		
	3 HJA 2122ABLFJ	A-post finisher-RH upper-Nimbus grey.....	1		
	3 HJA 2123ABAGD	A-post finisher-LH upper-Oatmeal.....	1		
	3 HJA 2123ABLFJ	A-post finisher-LH upper-Nimbus grey.....	1		
	4 HJA 1380ADAEK	A-post trim-RH lower-Sable.....	1		
	4 HJA 1380ADAGE	A-post trim-RH lower-Antelope.....	1		
	4 HJA 1380ADHDV	A-post trim-RH lower-Dark teal.....	1		
	4 HJA 1380ADLEG	A-post trim-RH lower-Warm charcoal.....	1		
	4 HJA 1380ADSDC	A-post trim-RH lower-Coffee.....	1	(1)	
	4 HJA 1380ADSDZ	A-post trim-RH lower-Cashmere.....	1	(2)	
	4 HJA 1381ADAEK	A-post trim-LH lower-Sable.....	1		
	4 HJA 1381ADAGE	A-post trim-LH lower-Antelope.....	1		
	4 HJA 1381ADHDV	A-post trim-LH lower-Dark teal.....	1		
	4 HJA 1381ADLEG	A-post trim-LH lower-Warm charcoal.....	1		
	4 HJA 1381ADSDC	A-post trim-LH lower-Coffee.....	1	(1)	
	4 HJA 1381ADSDZ	A-post trim-LH lower-Cashmere.....	1	(2)	



TVS280

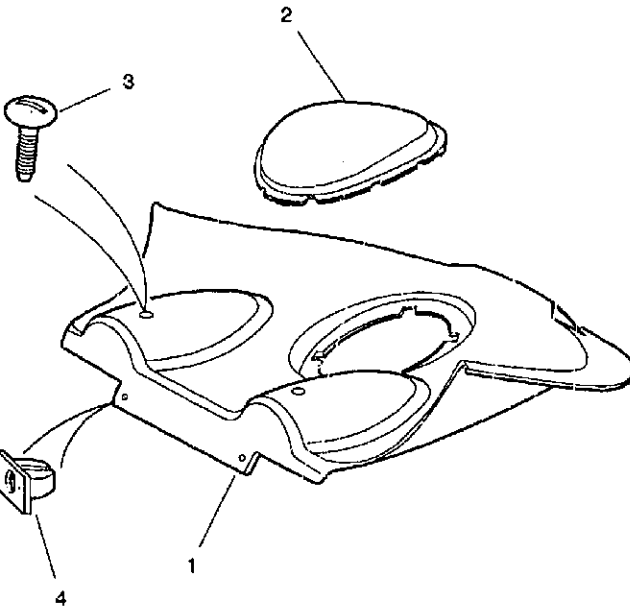
CHANGE POINTS:

(1) To (V) 018107

(2) From (V) 018108

PARCEL SHELF-REAR-COUPÉ

Illus	Part Number	Description	Quantity	Change Point	Remarks
	1 HJA 1200BB AEK	Parcel shelf-assembly-Sable	1		
	1 HJA 1200BB AGE	Parcel shelf-assembly-Antelope	1		
	1 HJA 1200BB HDX	Parcel shelf-assembly-Teal	1		
	1 HJA 1200BB LEG	Parcel shelf-assembly-Warm charcoal	1		
	1 HJA 1200BB SDC	Parcel shelf-assembly-Coffee	1	(1)	
	2 HJA 1240AB AEK	Parcel shelf blanking cover-assembly-Sable	1] Except premium in car entertainment
	2 HJA 1240AB AGE	Parcel shelf blanking cover-assembly-Antelope	1		
	2 HJA 1240AB HDX	Parcel shelf blanking cover-assembly-Teal	1		
	2 HJA 1240AB LEG	Parcel shelf blanking cover-assembly-Warm charcoal	1		
	2 HJA 1240AB SDC	Parcel shelf blanking cover-assembly-Coffee	1	(1)	
	HJA 1212CD AEK	Parcel shelf speaker cover-acoustic cloth-Sable	1] Premium in car entertainment
	HJA 1212CD AGE	Parcel shelf speaker cover-acoustic cloth-Antelope	1		
	HJA 1212CD HDX	Parcel shelf speaker cover-acoustic cloth-Teal	1		
	HJA 1212CD LEG	Parcel shelf speaker cover-acoustic cloth-Warm charcoal	1		
	HJA 1212CD SDC	Parcel shelf speaker cover-acoustic cloth-Coffee	1	(1)	
	3 HNA 2104AA AEK	Plastic screw-Sable	2		
	3 HNA 2104AA AGE	Plastic screw-Antelope	2		
	3 HNA 2104AA HDX	Plastic screw-Teal	2		
	3 HNA 2104AA LEG	Plastic screw-Warm charcoal	2		
	3 HNA 2104AA SDC	Plastic screw-Coffee	2	(1)	
	4 C 319736	Lakut nut	2		



TV6281

CHANGE POINTS:
(1) To (N) 018107