



# Parts Catalogue

## Jaguar XK8

### Canada, USA

### Taiwan up to 1998 MY

### Mexico from 1998 MY

Part No. JLM20301

Whilst every effort is made to ensure the accuracy of the particulars contained in this Manual the Manufacturing Companies will not, in any circumstances, be held liable for any inaccuracies or the consequences thereof.

© Jaguar Cars Ltd 1998

All rights reserved. No part of this publication may be reproduced, stored in a retrieval system or transmitted in any form, whether by electronic, mechanical, photocopying, recording or other means without the permission of Jaguar Cars Limited.

Replacement parts that are not of genuine Jaguar supply cannot be relied upon to be of correct specification, material, and workmanship and therefore Jaguar cannot be expected to extend warranty to vehicles which have been fitted with parts not supplied by them.

Jaguar reserves the right to make changes or improvements in the construction or specification of their products at any time.

**IN ORDER TO ENSURE PROMPT AND CORRECT EXECUTION OF YOUR ORDERS IT IS ESSENTIAL TO QUOTE:-**

1. The relative Unit Number, together with prefixes, suffixes and specification references where applicable.  
eg. Axle, Body, Vehicle Identification, Engine, Gearbox Numbers etc.
2. The Part Number and description (prefix and suffix letters to Part Numbers must always be quoted).
3. Always state the colour of carpets, painted items, trim items etc, using the colour code from the Vehicle Identification Number (VIN) plate and the colour combination key to identify the colour name.
4. The quantity required bearing in mind that the quantities shown are those used in the application actually illustrated. Sometimes only minimum package quantities are available. These packs may well contain more parts than are required for a single job; for details of packaged quantities, see the Service Parts List.

**THE LISTING OR ILLUSTRATING OF AN ITEM DOES NOT  
GUARANTEE ITS AVAILABILITY.**

## INDEX TO INTRODUCTION SECTION

MICROFICHE PAGE REFERENCE	PAGE TITLE	REMARKS
B03	STANDARD ABBREVIATIONS	Standard abbreviations used in the microfiche text are referenced on this page.
B04	VEHICLE IDENTIFICATION NUMBERING SYSTEM	VIN Serial letters and numbers explained. VIN plate location.
B05	UNIQUE IDENTIFICATION NUMBERING SYSTEM	VIN Serial letters and numbers explained for unique VIN
B06	MAJOR UNIT IDENTIFICATION NUMBERING SYSTEM 4.0 LITRE	Engine number coding explained. Location of engine/gearbox serial number.
B07	CONTROL MODULE (Programmable) LOCATIONS	Location of Programmable Units.
B08	BODY COLOUR	Body colour.
B9	TRIM COLOUR CODES	Denotes trim colour codes applicable to this vehicle.
B10	TRIM COLOUR COMBINATION CHART-CLASSIC	Denotes trim colour ranges applicable to specific areas of the vehicle interior.
B11	TRIM COLOUR COMBINATION CHART-SPORT	Denotes trim colour ranges applicable to specific areas of the vehicle interior.
B12-13	HOOD COLOUR	Denotes details of hood colour to interior/exterior colour.



## VEHICLE IDENTIFICATION NUMBERING SYSTEM

The vehicle identification numbering comprises of a series of letters and numbers presenting, in code such information as Marque, Model Range, Class, Engine and Emission Type etc. The code for the Jaguar 4.0 litre range is as follows:

### PREFIX 1 to 4

*World Manufacturer Identifier*

SAJ = Jaguar

### PREFIX 5

*Model Range*

G = X100

### PREFIX 6

*Class*

N = Canada

S = Mexico

X = USA

### PREFIX 7

*Body Variant*

E = 2 Door Coupe

F = 2 Door Convertible

### Prefix 8

*Engine Variant*

D = 4.0 Litre

### PREFIX 9

*Transmission and Steering*

3 = Auto RHS

4 = Auto LHS

### PREFIX 10

*Model or Year Change*

V = 1997MY

W = 1998MY

X = 1999 MY

### PREFIX 11

*Emission Control System*

95 = 95 Ron-Emission A

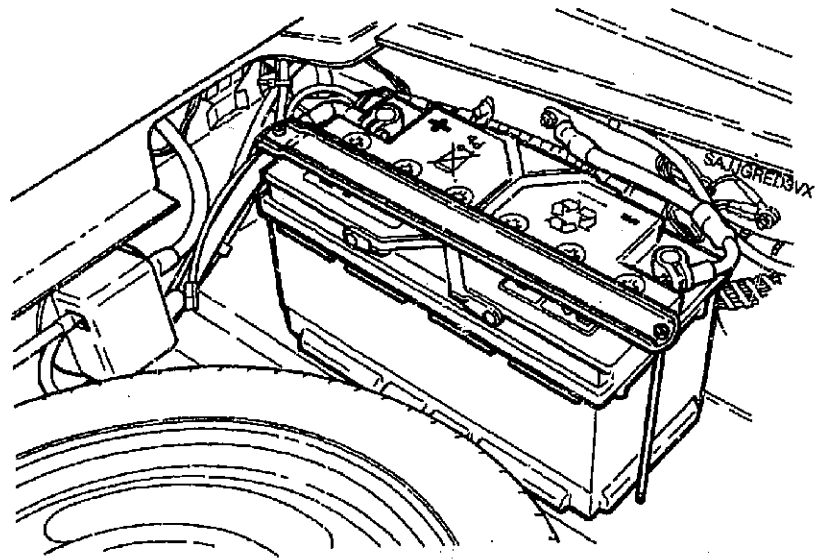
96 = 95 Ron-Emission L

97 = 95 Ron-Emission C

W = 95 Ron-Emission A

### PREFIX 12 to 17

*Serial Number*



### MODEL YEAR VIN NUMBERS

1997 MY From (v) 001075

1998 MY From (v) 018108

1998.75 MY From (V) 024687

1999 MY From (V) 031303

**UNIQUE VEHICLE IDENTIFICATION NUMBERING SYSTEM****PREFIX 1 to 3 - World Manufacturer**

SAJ Jaguar

**PREFIX 4 - Model Range**

G - X100

**PREFIX 5 - Class**

N = Canada

S = Mexico

X = USA/Taiwan

**PREFIX 6 - Body Type**

5 = 2 Door Coupe

2 = 2 Door Convertible

**PREFIX 7 - Engine type**

7 = 4.0 Litre

**PREFIX 8 - Transmission & Steering**

4 Auto LH Steering

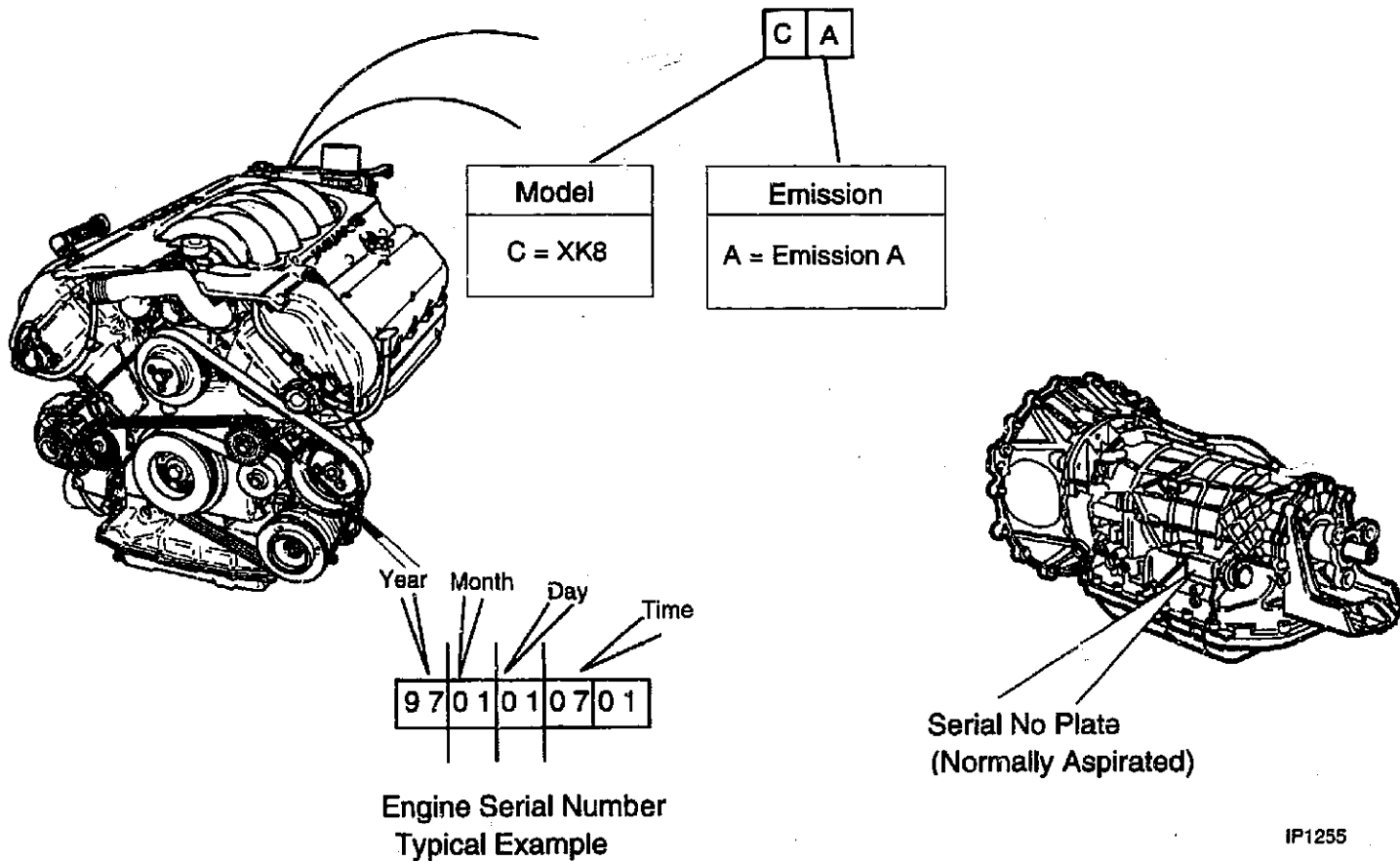
**PREFIX 9 - Check Digit**

?

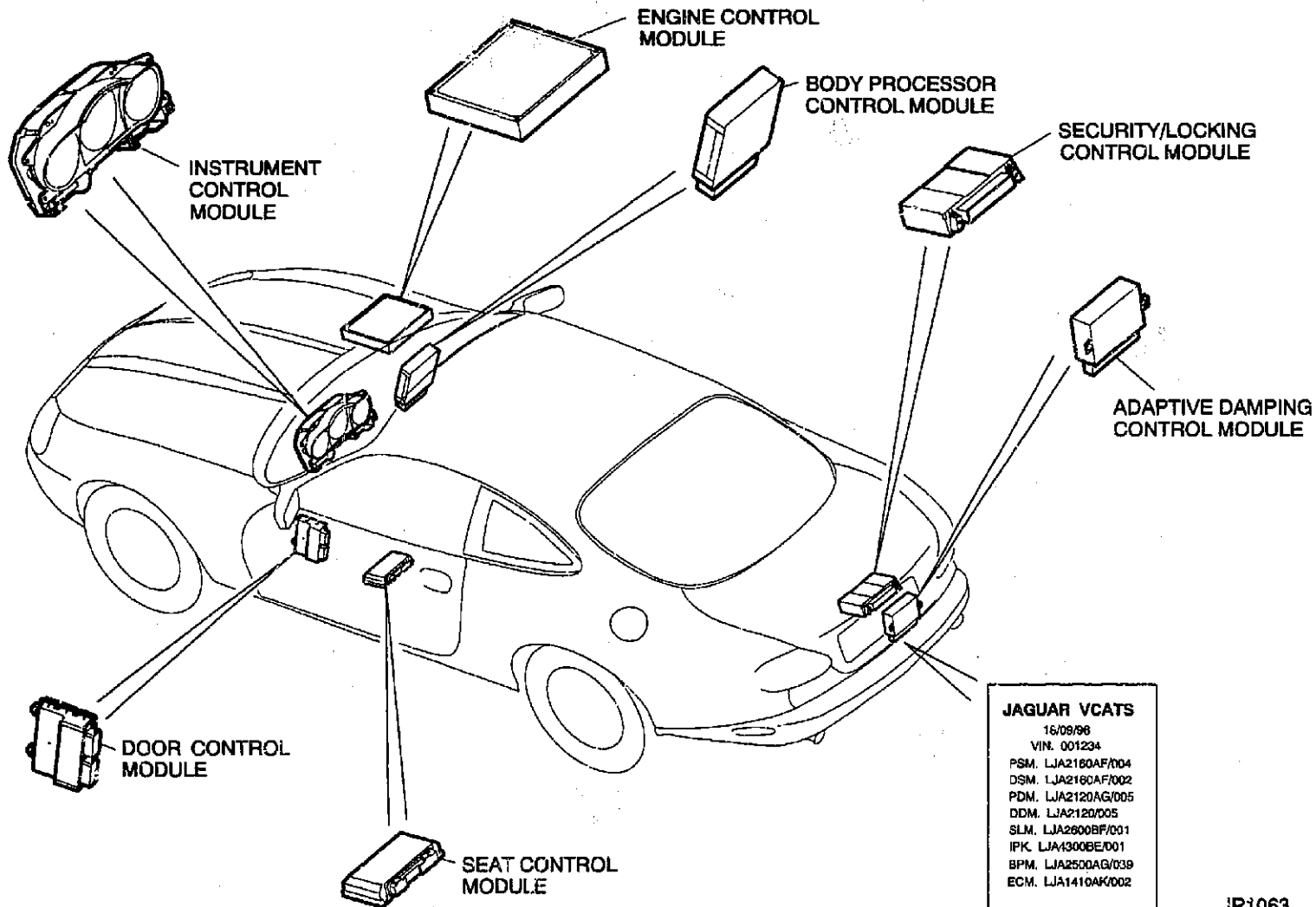
**PREFIX 10 - Model Year****PREFIX 11 - Assembly Plant**

C = Browns Lane

# UNIT IDENTIFICATION NUMBERING SYSTEM



# CONTROL MODULE LOCATIONS



**JAGUAR VCATS**  
 16/09/96  
 VIN. 001234  
 PSM. LJA2160AF/004  
 DSM. LJA2160AF/002  
 PDM. LJA2120AG/005  
 DDM. LJA2120/005  
 SLM. LJA2600BF/001  
 IPK. LJA1300BE/001  
 BPM. LJA2500AG/039  
 ECM. LJA1410AK/002

**BODY COLOUR CODES**

BODY COLOUR	JBC No	JBC No
	<i>Solvent</i>	<i>Waterborne</i>
<b>ALPINE</b>		1880 (HGF)
<b>AMARANTH</b>	862 (KDJ)	1862 (KDK)
<b>ANTHRACITE</b>	850 (PDX)	1859 (PED)
<b>ANTIGUA</b>	840 (JGZ)	1840 (JHH)
<b>AQUAMARINE</b>	839 (JGY)	1839 (JHF)
<b>BLACK</b>	807 (PDT)	1807 (PEC)
<b>BRITISH RACING GREEN</b>	753 (HFB)	1753 (HGD)
<b>CARNIVAL</b>	811 (CFS)	1811 (CGC)
<b>EMERALD</b>		1895 (HGG)
<b>ICE BLUE</b>	821 (MDP)	
<b>METEORITE</b>	911 (MDT)	1911 (MDX)
<b>PHOENIX</b>		1924(CGL)
<b>SAPPHIRE</b>	806 (JGE)	1806 (JHE)
<b>SHERWOOD</b>	835 (HFR)	1835 (HGE)
<b>SPINDRIFT</b>	732 (NDM)	1732 (NEE)
<b>TOPAZ</b>	820 (SDN)	1820 (SEC)



## TRIM CODES

	3 LETTER CODE		3 LETTER CODE
<b>LEATHER</b>		<b>SEAT BELTS</b>	
Oatmeal	AGD	Oatmeal	AGD
Cream	NDR	Warm Charcoal	LEG
Warm Charcoal	LEG	Sable	AEK
Teal	HDX	Teal	HDX
Coffee	SDC	<b>HEADLINING</b>	
<b>SCULPTURED FABRIC</b>		Oatmeal	AGD
Oatmeal	AGF	Nimbus Grey	LFJ
Cream	NEB	<b>HOODS</b>	
Warm Charcoal	LGE	Stone	AEL
Teal	HDY	Black	PDM
Coffee	SDR	Beige	ANR
<b>CARPETS</b>		Green	HFV
Mink	AGH	Blue	JFF
Flint	LFN		
Sable	AEK		
Teal	HDX		
Coffee	SDC		
<b>FACIA</b>			
Antelope	AGE		
Warm Charcoal	LEG		
Sable	AEK		
Dark Teal	HDV		
Coffee	SDC		

## TRIM COLOUR COMBINATION CHART - CLASSIC

OVERALL INTERIOR COLOUR DESCRIPTION	INTERIOR TRIM LOWER/SEATING	FACIA GEAR/SHIFT ASSEMBLY/STEERING WHEEL	SEATBELTS	INTERIOR TRIM UPPER	PARCEL SHELF	CARPETS	FLANGE FINISHER	HOOD CONTAINER (CONV)	BOOT TRIM
OATMEAL	OATMEAL	ANTELOPE	OATMEAL	OATMEAL	ANTELOPE	SABLE	WARM CHARCOAL	SABLE	FLINT
WARM CHARCOAL	WARM CHARCOAL	WARM CHARCOAL	WARM CHARCOAL	NIMBUS	WARM CHARCOAL	FLINT	WARM CHARCOAL	FLINT	FLINT
CREAM	CREAM	SABLE	SABLE	OATMEAL	SABLE	SABLE	WARM CHARCOAL	SABLE	FLINT
TEAL	TEAL	DK TEAL	TEAL	NIMBUS	DK TEAL	TEAL	WARM CHARCOAL	FLINT	FLINT
COFFEE	COFFEE	COFFEE	SABLE	OATMEAL	COFFEE	COFFEE	WARM CHARCOAL	SABLE	FLINT
IVORY	IVORY	IVORY	SABLE	OATMEAL	SABLE	SABLE	WARM CHARCOAL	SABLE	FLINT
CASHMERE	CASHMERE	SABLE	SABLE	OATMEAL	SABLE	SABLE	WARM CHARCOAL	SABLE	FLINT

INT. TRIM LOWER/SEATS	FACIA	SEATBELTS	INTERIOR TRIM UPPER	PARCEL SHELF	CARPETS	FLANGE FINISHER	HOOD CONTAINER	BOOT TRIM
FRONT SEATS	FACIA UPPER	SEATBELTS & BUC	A POST UPPER	PARCEL SHELF	HEEL MATS		HOOD	SPARE
SQUAB TRIG. KNOB	FACIA ENDS	RETAINERS	HEADER	(COUPE)	SEAT SLIDES		CONTAINER	WHEEL
TRIG. ESCUTCHED	DEMIST VENTS	SEATBELT	SUNVISORS &	SUB WOOFER				COVER
INT. MECHM COVER	SQUAWKER	RUNNING LOOPS	FIXINGS	COVER (4)				BOOT BOARD
REAR SEATS	DOOR TOP ROLL	SEATBELTS	HEADLINING	HMSL COVER				BOOT
SEAT STITCHING	STEERING WHEEL	FRT/RR	AIR EXT. VENTS	(COUPE)				FIXINGS
DOOR CASING	J GATE SURROUND	ADJUSTER KNOB						HOOD
DOOR CENTRE PANEL	HANDBRAKE GRIP CHEATERS							STOWAGE BAG
DOOR ARMREST	STOWAGE TRAY							
CARPET BINDING	SWITCHES							
RR QUARTER	STG COL COWL							
CAPPING (CONV)	TRUNK SEAL							
REAR QUARTER	RETAINER							
- CASING	FACIA VENTS							
- ARMREST	(CENTRE/OUTER)							
- CENTRE PANEL	DOOR KICK PANEL							
A POST LOWER	LOWER A POST							
CENTRE CONSOLE								
- TOP/SIDE/LID								
- CUPHOLDER LID								
GLOVEBOX HANDLE								
ASPIRATOR VENTS								
HOOD STOWAGE COVER								
SEAT SWITCH PACK								
HANDBRAKE GAITER								
UNDERSCUTTLES								
COATHOOK								

## TRIM COLOUR COMBINATION CHART - SPORTS

OVERALL INTERIOR COLOUR DESCRIPTION	LOWER TRIM	SEATING	FACIA GEARSHIFT ASSEMBLY/STEERING WHEEL	SEATBELTS	INTERIOR TRIM UPPER	PARCEL SHELF	CARPETS	FLANGE FINISHER	BOOT TRIM
OATMEAL	WARM CHARCOAL	OATMEAL	WARM CHARCOAL	WARM CHARCOAL	NIMBUS GREY	WARM CHARCOAL	FLINT	WARM CHARCOAL	FLINT
WARM CHARCOAL	WARM CHARCOAL	WARM CHARCOAL	WARM CHARCOAL	WARM CHARCOAL	NIMBUS GREY	WARM CHARCOAL	FLINT	WARM CHARCOAL	FLINT
CREAM	WARM CHARCOAL	CREAM	WARM CHARCOAL	WARM CHARCOAL	NIMBUS GREY	WARM CHARCOAL	FLINT	WARM CHARCOAL	FLINT
IVORY	WARM CHARCOAL	IVORY	WARM CHARCOAL	WARM CHARCOAL	NIMBUS GREY	WARM CHARCOAL	FLINT	WARM CHARCOAL	FLINT

INT. TRIM LOWER/SEATS	SEATS	FACIA	SEATBELTS	INTERIOR TRIM UPPER	PARCEL SHELF	CARPETS	FLANGE FINISHER	BOOT TRIM
DOOR CASING DOOR KICK PANEL RR QUARTER CAPPING (CONV) REAR QUARTER - CASING A POST LOWER GLOVEBOX HANDLE ASPIRATOR VENTS HOOD STOWAGE COVER HANDBRAKE GAITER UNDERSCUTTLES CARPET BINDING REAR QUARTER - ARMREST (CPE) - CENTRE PANEL COATHOOK	FRONT SEATS (1) SQUAD TRIG. KNOB TRIG. ESCUTCHEON SEAT SWITCH PACK INT. MECHM COVER REAR SEATS DOOR CENTRE PANEL DOOR ARMREST CENTRE CONSOLE (1) - TOP/SIDE/LID - CUPHOLDER J GATE SURROUND SEATBELT BUCKLES	FACIA UPPER FACIA ENDS DEMIST VENTS SQUAWKER DOOR TOP ROLL STEERING WHEEL HANDBRAKE GRIP CHEATERS STOWAGE TRAY SWITCHES STG COL COWL TRUNK SEAL RETAINER FACIA VENTS (CENTRE/OUTER)	SEATBELT RUNNING LOOP SEATBELTS FRT/RR ADJUSTER KNO	A POST UPPER HEADER SUNVISORS & FIXINGS HEADLINING AIR EXT. VENTS	PARCEL SHELF (CPE) SUB WOOFER COVER HMSL COVER (COUPE)	HEEL MATS HOOD CONTAINER (CONV)		HOOD STOWAGE BAG BOOT BOARD BOOT FIXINGS
				NOTES:				
				(1) SEATS & CENTRE CONSOLE/LID TAKES W/CHARCOAL STITCHING				

## HOOD COLOUR WITH EXTERIOR &amp; INTERIOR COMBINATIONS UP TO 99 MY

TRIM	BODY COLOUR													
	TOPAZ (820)	ICE BLUE (821)	TITANIUM (810)	SPINDRIFT WHITE 98 (732)	BRITISH RACING GREEN (783)	ANTHRACITE (868)	AQUA MARINE (839)	SHERWOOD (835)	ANTIGUA (840)	CARNIVAL (811)	SAPPHIRE (808)	AMARANTH	METEORITE	PHOENIX RED
OATMEAL (AGD)	STONE	BLUE	BLUE	STONE	-	BLACK	-	BLACK	BLUE	STONE	BLUE	BLACK	BLACK	STONE
CHARCOAL (LEG)	BLACK	BLACK	BLACK	BLACK	GREEN	BLACK	GREEN/ BLACK	BLACK	BLACK	BLACK	BLACK	BLACK	BLACK	BLACK
CREAM (NDR)	STONE	BLUE	BLUE	STONE	GREEN	BLACK/ STONE	GREEN/ BLACK	STONE	STONE	STONE	BLUE	-	-	-
TEAL (HDX)	-	-	-	GREEN	GREEN	BLACK	GREEN/ BLACK	-	-	-	-	BLACK	BLACK	-
COFFEE (SDC)	STONE	-	STONE	BEIGE	BEIGE	BLACK	BEIGE	BEIGE	BLUE	BEIGE	BLUE	-	-	-
IVORY (MED)	DARK BEIGE	-	-	DARK BEIGE	GREEN	DARK BEIGE	-	DARK BEIGE	DARK BEIGE	DARK BEIGE	-	BLACK	BLACK	BEIGE/ STONE
CASHMERE (SDV)	DARK BEIGE	-	-	DARK BEIGE	DARK BEIGE	BLACK	DARK BEIGE	DARK BEIGE	BLUE	DARK BEIGE	BLUE	BLACK	BLACK	DARK BEIGE

## BODY COLOUR

FRONT/REAR BUMPER  
NUMBER PLATE  
FINISHER  
RUBBER STRIPS  
MIRROR CAPS

## ADDITIONAL COLOURED PARTS

GRPEY  
MIRROR FOOT  
GLASSHOUSE  
MOULDINGS  
WAIST RAIL  
PLENUM

## CHROME

SPLITTER VANE  
EXT DOOR HANDLES (N. AMERICA ONLY)

## HOOD COLOUR WITH EXTERIOR & INTERIOR COMBINATIONS FROM 99 Model Year

TRIM	BODY COLOUR										
	TOPAZ (820)	SPINDRIFT WHITE 96 (732)	BRITISH RACING GREEN (753)	ANTHRACITE (658)	ANTIQUA (840)	CARNIVAL (011)	SAPPHIRE (806)	AMARANTH	METEORITE	PHOENIX RED	Alpine
OATMEAL (AGD)	STONE	STONE	-	BLACK	BLUE	STONE	BLUE	BLACK	BLACK	STONE	BLACK
CHARCOAL (LEG)	BLACK	BLACK	GREEN	BLACK	BLACK	BLACK	BLACK	BLACK	BLACK	BLACK	BLACK
TEAL (HDX)	-	GREEN	GREEN	BLACK	-	-	-	BLACK	BLACK	-	
IVORY (NED)	DARK BEIGE	DARK BEIGE	GREEN	DARK BEIGE	DARK BEIGE	DARK BEIGE	-	BLACK	BLACK	BEIGE/ STONE	
CASHMERE (8DV)	DARK BEIGE	DARK BEIGE	DARK BEIGE	BLACK	BLUE	DARK BEIGE	BLUE	BLACK	BLACK	DARK BEIGE	DARK BEIGE

## BODY COLOUR

FRONT/REAR BUMPER  
NUMBER PLATE  
FINISHER  
FLUSHING STRIPS  
WHEEL CAPS

## ADDITIONAL COLOURED PARTS

GREY  
MIRROR FOOT  
WAIST RAIL  
  
PLENUM

## CHROME

SPLITTER VANE  
EXT DOOR HANDLES (N. AMERICA ONLY)

PAGE 1 of 5

**HOW TO USE THE JAGUAR PARTS MICROFICHE**

A knowledge of the construction and content of the microfiche will help you to identify and locate the right part number for the application that you require.

**HOW THE MICROFICHE IS ORGANISED:**

- 1) A parts microfiche set is produced for each Jaguar model. A full list of publications is issued with each new microfiche set. A Jaguar microfiche consists of a number of plastic "fiche", contained in a paper wallet with an Index card.
- 2) Each plastic "fiche" is headed with the **model name**, the **part number** of the microfiche, the **month/year of issue**. Each "fiche" is numbered together with the total number of "fiche" in the microfiche set.
- 3) The Index card shows the microfiche **MASTER INDEX**. This will enable fast identification of the correct "fiche" page and row on which each Group commences. The Master Index is listed in Microfiche order on one side of the card and in alphabetical order on the reverse.
- 4) Each "fiche" contains up to 252 pages of information. (18 columns x 14 rows). Columns are numbered 1 to 18 and rows are identified alphabetically. Row A on each "fiche" is always the **Introduction Section**.

DEC 1996  
JLM 20300 FD  
DEC 1996

JAGUAR XK8  
FICHE 3 OF 3  
JAGUAR XK8  
FICHE 2 OF 3  
JAGUAR XK8  
FICHE 1 OF 3

JAGUAR XK8

**MICROFICHE GROUP INDEX - ALPHABETICAL ORDER**

GROUP INDEX TITLE	SHEET	GROUP INDEX TITLE	SHEET
ACCESSORIES - CONSUMABLES - INDEX	3F	EXTERIOR FITTINGS AND SUNROOF	29H
AIR AND FUEL DELIVERY SYSTEMS	1E	IN CAR SERVICE STATION	2Y
AIR CONDITIONING - HEATING - VENTILATION	1M	INFORMATION SYSTEM AND CONTROLS	2D
BATTERY - STARTER MOTOR - ALTERNATOR	2E	INTERIOR TRIMS AND LININGS	2L
BODY CLOSURES AND SEALING	2C	INTRODUCTION	1B
BODY METAL PANELS AND SEALING	2E	LIGHTING - INTERIOR LIGHTING	2Q
BRAKING SYSTEM	1M	LOCKING - SECURITY SYSTEMS - HORN	2I
ELECTRICAL DISTRIBUTION SYSTEM	2U	OCCUPANT RESTRAINTS	2G
ENGINE	1D	SEATING	2F
ENGINE COOLING SYSTEM	1E	STEERING AND SUSPENSION	2K
ENGINE MANAGEMENT/EMISSION SYSTEM	1F	TRAILERBRAKE AND DRIVE SHAFT	2J
EXHAUST SYSTEM AND COMPONENTS	1I	WIPER AND WASHERS SYSTEM	1O

DECEMBER 1996  
JLM 20300 FD

JAGUAR XK8

JAGUAR

**Introduction Pages**

NO ROWS & COLUMNS = 252																	

IP1172

**HOW TO USE THE JAGUAR PARTS MICROFICHE**

**MICROFICHE CONTENT:**

The microfiche has a **Master Index** which lists the **Introduction Section** and **23 main sections**. The Master Index is common to all microfiche. The first "fiche" page has:

- a) A **Title page**, describing the name of the model
- b) An **Introduction Section**, with an index of contents.
- c) A full **alphabetical listing** of all part number descriptions contained in the microfiche set with the page location.

**Note:** a) and b) are included at the start of each "fiche" page, whilst c) is on page 1 only.

Part number information is arranged into the **23 Groups**. Each **Master Index** reference is divided into **Groups**, which are common to all microfiche.

Each **Group** contains a number of **Page Titles** relevant to the model specification.

A **Page Title** describes a vehicle feature or major component, under which the relative part numbers appear.

The New XJ Series		F04 Fiche 1	ENGINE		
			← DRIVE PLATE AND FLYWHEEL COVERS		
			← DRIVE PLATE-3.2/4.0 LITRE		
Illus	Part Number	Description	Quantity	Change Point	Remarks
1	EBC 2788	Drive plate-assembly.....	1	(1)	.....3.2 Litre .....4.0 Litre

An **Illustration** may be linked to each page number. A page title continuing over more than one page, will have the same illustration. Illustrations are annotated to represent the part numbers shown on text page. The drawing reference number is shown in the first column against the appropriate part number. Where there is more than one part number for alternative applications, the drawing number will appear against each reference to that part.

PAGE 3 of 5

HOW TO USE THE JAGUAR PARTS MICROFICHE

A part has 7 main elements: A **part number**, A **description**, a **quantity per application**, a **qualifying description**, an **illustration**, an **application** and a **change point** (optional).

PART NUMBER:

A part number may have:

- a **prefix** (optional, alpha and/or numeric).
- a **main body** (up to 6 numeric or 5 numeric + 1 alpha or 4 numeric + 2 alpha).
- a **suffix**.

There is **NO** meaning attached to the prefix or main body of the part number. The suffix can denote size, grade, colour etc.

QUALIFYING DESCRIPTION:

The **qualifying description** describes the colour, location, material, size etc. of a part. A part can only have one qualifying description relating to a "fitment" definition. For example, a Bolt cannot be described as "manifold to block" in one application and "mounting to body" in another. The part description and qualifying description are tied to the part in all model applications.

Illus	Part Number	Description	Quantity	Change Point	Remarks
1	EBC 2788	Drive plate-assembly.....	1	(1).....	3.2 Litre
					.....4.0 Litre

PART DESCRIPTION:

The **part description** is derived from the standard noun which describes the component.

CHANGE POINT:

Where appropriate, a **change point** will identify the limits of use of a component using a VIN number, Engine number, Gearbox or Body number. All **change points** are represented as "footnotes" on the microfiche page, with the footnote number shown in the "Change Point" column.

PART APPLICATION:

The **part applications**, or "**attributes**", appear in the "Remarks" column on the microfiche page. **Attributes** identify any market applicability and/or special conditions and/or exemptions. Attributes also contain information relative to the VIN prefix which is appropriate to the Page Title. A full list of VIN prefix attributes are shown in the Introduction Section under "Vehicle Identification Numbering System". Applications from the same "family" will appear on different text lines with the part number/description/quantity hidden. The change point will be shown on the first line only and will be the same for both applications.

IP1174





PAGE 5 of 5

HOW TO USE THE JAGUAR PARTS MICROFICHE

QUANTITY:

The number of parts required for each application is shown in the Quantity column. In some cases this may appear as A/R (as required), or NLA (no longer available from Jaguar Cars Ltd.) Where a part is "NLA", an alternative may be shown in the "Remarks" column. In some cases, alternative parts may be listed to replace a single component. These were previously classed as "Refer Vetting" (where a single substitution of one part for another is not technically or cosmetically possible).

The New XJ Series		194 Fiche 1	GROUP DRIVE PLATE AND FLYWHEEL COVERS		
Illus	Part Number	Description	Quantity	Change Point	Remarks
1	ERC 275B	Drive plate-assembly	1	(1)	3.3 Litre 4.8 Litre

FINDING A PART:

Basic information required: Model, VIN/Body number/Engine number/Gearbox number as appropriate, and any other relative specifications.

Parts are normally located by comparing your requirement with an illustration. Finding the correct illustration/page can be approached in three ways:

- 1) If the Part number is already known - locate page a reference from the Alphabetical Index on the last "fiche".
- 2) Using the Part Description - locate a page reference from the Alphabetical Index on the first "fiche".
- 3) Determine the Page Title from the Master/Group/Page Title Index pages.

XJ6 & XJ12 (From V) 367828 onwards				Pc			
REC 18347	4E	REC 18883	4D 07	REC 21763	4A 08	REC 25308	4C 08
REC 18408	2J	REC 18884	4D 07	REC 21764	4A 08	REC 25309	4C 08
REC 18428	2J	REC 18885	4D 07	REC 21765	4A 08	REC 25310	4C 08
REC 18414	4J	REC 18886	2J 13	REC 21823	4A 08	REC 25311	4C 08
REC 18415	4J	REC 18887	2J 13	REC 21824	4A 08	REC 25312	4C 08
REC 18464	4E	REC 18888	4F 01	REC 21825	4A 08	REC 25313	4C 08
REC 18465	4E	REC 18889	4F 01	REC 21826	4A 08	REC 25314	4C 08
REC 18466	4E	REC 18890	4F 01	REC 21827	4A 08	REC 25315	4C 08
REC 18467	4E	REC 18891	4F 01	REC 21828	4A 08	REC 25316	4C 08
REC 18471	4E	REC 18892	4F 01	REC 21829	4A 08	REC 25317	4C 08
REC 18472	4E	REC 18893	4F 01	REC 21830	4A 08	REC 25318	4C 08
REC 18473	4E	REC 18894	4F 01	REC 21831	4A 08	REC 25319	4C 08
REC 18474	4E	REC 18895	4F 01	REC 21832	4A 08	REC 25320	4C 08
REC 18475	4E	REC 18896	4F 01	REC 21833	4A 08	REC 25321	4C 08
REC 18476	4E	REC 18897	4F 01	REC 21834	4A 08	REC 25322	4C 08
REC 18477	4E	REC 18898	4F 01	REC 21835	4A 08	REC 25323	4C 08
REC 18478	4E	REC 18899	4F 01	REC 21836	4A 08	REC 25324	4C 08
REC 18479	4E	REC 18900	4F 01	REC 21837	4A 08	REC 25325	4C 08
REC 18480	4E	REC 18901	4F 01	REC 21838	4A 08	REC 25326	4C 08
REC 18481	4E	REC 18902	4F 01	REC 21839	4A 08	REC 25327	4C 08
REC 18482	4E	REC 18903	4F 01	REC 21840	4A 08	REC 25328	4C 08
REC 18483	4E	REC 18904	4F 01	REC 21841	4A 08	REC 25329	4C 08
REC 18484	4E	REC 18905	4F 01	REC 21842	4A 08	REC 25330	4C 08
REC 18485	4E	REC 18906	4F 01	REC 21843	4A 08	REC 25331	4C 08
REC 18486	4E	REC 18907	4F 01	REC 21844	4A 08	REC 25332	4C 08
REC 18487	4E	REC 18908	4F 01	REC 21845	4A 08	REC 25333	4C 08
REC 18488	4E	REC 18909	4F 01	REC 21846	4A 08	REC 25334	4C 08
REC 18489	4E	REC 18910	4F 01	REC 21847	4A 08	REC 25335	4C 08
REC 18490	4E	REC 18911	4F 01	REC 21848	4A 08	REC 25336	4C 08
REC 18491	4E	REC 18912	4F 01	REC 21849	4A 08	REC 25337	4C 08
REC 18492	4E	REC 18913	4F 01	REC 21850	4A 08	REC 25338	4C 08
REC 18493	4E	REC 18914	4F 01	REC 21851	4A 08	REC 25339	4C 08
REC 18494	4E	REC 18915	4F 01	REC 21852	4A 08	REC 25340	4C 08
REC 18495	4E	REC 18916	4F 01	REC 21853	4A 08	REC 25341	4C 08
REC 18496	4E	REC 18917	4F 01	REC 21854	4A 08	REC 25342	4C 08
REC 18497	4E	REC 18918	4F 01	REC 21855	4A 08	REC 25343	4C 08
REC 18498	4E	REC 18919	4F 01	REC 21856	4A 08	REC 25344	4C 08
REC 18499	4E	REC 18920	4F 01	REC 21857	4A 08	REC 25345	4C 08
REC 18500	4E	REC 18921	4F 01	REC 21858	4A 08	REC 25346	4C 08
REC 18501	4E	REC 18922	4F 01	REC 21859	4A 08	REC 25347	4C 08
REC 18502	4E	REC 18923	4F 01	REC 21860	4A 08	REC 25348	4C 08
REC 18503	4E	REC 18924	4F 01	REC 21861	4A 08	REC 25349	4C 08
REC 18504	4E	REC 18925	4F 01	REC 21862	4A 08	REC 25350	4C 08
REC 18505	4E	REC 18926	4F 01	REC 21863	4A 08	REC 25351	4C 08
REC 18506	4E	REC 18927	4F 01	REC 21864	4A 08	REC 25352	4C 08
REC 18507	4E	REC 18928	4F 01	REC 21865	4A 08	REC 25353	4C 08
REC 18508	4E	REC 18929	4F 01	REC 21866	4A 08	REC 25354	4C 08
REC 18509	4E	REC 18930	4F 01	REC 21867	4A 08	REC 25355	4C 08
REC 18510	4E	REC 18931	4F 01	REC 21868	4A 08	REC 25356	4C 08
REC 18511	4E	REC 18932	4F 01	REC 21869	4A 08	REC 25357	4C 08
REC 18512	4E	REC 18933	4F 01	REC 21870	4A 08	REC 25358	4C 08
REC 18513	4E	REC 18934	4F 01	REC 21871	4A 08	REC 25359	4C 08
REC 18514	4E	REC 18935	4F 01	REC 21872	4A 08	REC 25360	4C 08
REC 18515	4E	REC 18936	4F 01	REC 21873	4A 08	REC 25361	4C 08
REC 18516	4E	REC 18937	4F 01	REC 21874	4A 08	REC 25362	4C 08
REC 18517	4E	REC 18938	4F 01	REC 21875	4A 08	REC 25363	4C 08
REC 18518	4E	REC 18939	4F 01	REC 21876	4A 08	REC 25364	4C 08
REC 18519	4E	REC 18940	4F 01	REC 21877	4A 08	REC 25365	4C 08
REC 18520	4E	REC 18941	4F 01	REC 21878	4A 08	REC 25366	4C 08
REC 18521	4E	REC 18942	4F 01	REC 21879	4A 08	REC 25367	4C 08
REC 18522	4E	REC 18943	4F 01	REC 21880	4A 08	REC 25368	4C 08
REC 18523	4E	REC 18944	4F 01	REC 21881	4A 08	REC 25369	4C 08
REC 18524	4E	REC 18945	4F 01	REC 21882	4A 08	REC 25370	4C 08
REC 18525	4E	REC 18946	4F 01	REC 21883	4A 08	REC 25371	4C 08
REC 18526	4E	REC 18947	4F 01	REC 21884	4A 08	REC 25372	4C 08
REC 18527	4E	REC 18948	4F 01	REC 21885	4A 08	REC 25373	4C 08
REC 18528	4E	REC 18949	4F 01	REC 21886	4A 08	REC 25374	4C 08
REC 18529	4E	REC 18950	4F 01	REC 21887	4A 08	REC 25375	4C 08
REC 18530	4E	REC 18951	4F 01	REC 21888	4A 08	REC 25376	4C 08
REC 18531	4E	REC 18952	4F 01	REC 21889	4A 08	REC 25377	4C 08
REC 18532	4E	REC 18953	4F 01	REC 21890	4A 08	REC 25378	4C 08
REC 18533	4E	REC 18954	4F 01	REC 21891	4A 08	REC 25379	4C 08
REC 18534	4E	REC 18955	4F 01	REC 21892	4A 08	REC 25380	4C 08
REC 18535	4E	REC 18956	4F 01	REC 21893	4A 08	REC 25381	4C 08
REC 18536	4E	REC 18957	4F 01	REC 21894	4A 08	REC 25382	4C 08
REC 18537	4E	REC 18958	4F 01	REC 21895	4A 08	REC 25383	4C 08
REC 18538	4E	REC 18959	4F 01	REC 21896	4A 08	REC 25384	4C 08
REC 18539	4E	REC 18960	4F 01	REC 21897	4A 08	REC 25385	4C 08
REC 18540	4E	REC 18961	4F 01	REC 21898	4A 08	REC 25386	4C 08
REC 18541	4E	REC 18962	4F 01	REC 21899	4A 08	REC 25387	4C 08
REC 18542	4E	REC 18963	4F 01	REC 21900	4A 08	REC 25388	4C 08
REC 18543	4E	REC 18964	4F 01	REC 21901	4A 08	REC 25389	4C 08
REC 18544	4E	REC 18965	4F 01	REC 21902	4A 08	REC 25390	4C 08
REC 18545	4E	REC 18966	4F 01	REC 21903	4A 08	REC 25391	4C 08
REC 18546	4E	REC 18967	4F 01	REC 21904	4A 08	REC 25392	4C 08
REC 18547	4E	REC 18968	4F 01	REC 21905	4A 08	REC 25393	4C 08
REC 18548	4E	REC 18969	4F 01	REC 21906	4A 08	REC 25394	4C 08
REC 18549	4E	REC 18970	4F 01	REC 21907	4A 08	REC 25395	4C 08
REC 18550	4E	REC 18971	4F 01	REC 21908	4A 08	REC 25396	4C 08
REC 18551	4E	REC 18972	4F 01	REC 21909	4A 08	REC 25397	4C 08
REC 18552	4E	REC 18973	4F 01	REC 21910	4A 08	REC 25398	4C 08
REC 18553	4E	REC 18974	4F 01	REC 21911	4A 08	REC 25399	4C 08
REC 18554	4E	REC 18975	4F 01	REC 21912	4A 08	REC 25400	4C 08
REC 18555	4E	REC 18976	4F 01	REC 21913	4A 08	REC 25401	4C 08
REC 18556	4E	REC 18977	4F 01	REC 21914	4A 08	REC 25402	4C 08
REC 18557	4E	REC 18978	4F 01	REC 21915	4A 08	REC 25403	4C 08
REC 18558	4E	REC 18979	4F 01	REC 21916	4A 08	REC 25404	4C 08
REC 18559	4E	REC 18980	4F 01	REC 21917	4A 08	REC 25405	4C 08
REC 18560	4E	REC 18981	4F 01	REC 21918	4A 08	REC 25406	4C 08
REC 18561	4E	REC 18982	4F 01	REC 21919	4A 08	REC 25407	4C 08
REC 18562	4E	REC 18983	4F 01	REC 21920	4A 08	REC 25408	4C 08
REC 18563	4E	REC 18984	4F 01	REC 21921	4A 08	REC 25409	4C 08
REC 18564	4E	REC 18985	4F 01	REC 21922	4A 08	REC 25410	4C 08
REC 18565	4E	REC 18986	4F 01	REC 21923	4A 08	REC 25411	4C 08
REC 18566	4E	REC 18987	4F 01	REC 21924	4A 08	REC 25412	4C 08
REC 18567	4E	REC 18988	4F 01	REC 21925	4A 08	REC 25413	4C 08
REC 18568	4E	REC 18989	4F 01	REC 21926	4A 08	REC 25414	4C 08
REC 18569	4E	REC 18990	4F 01	REC 21927	4A 08	REC 25415	4C 08
REC 18570	4E	REC 18991	4F 01	REC 21928	4A 08	REC 25416	4C 08
REC 18571	4E	REC 18992	4F 01	REC 21929	4A 08	REC 25417	4C 08
REC 18572	4E	REC 18993	4F 01	REC 21930	4A 08	REC 25418	4C 08
REC 18573	4E	REC 18994	4F 01	REC 21931	4A 08	REC 25419	4C 08
REC 18574	4E	REC 18995	4F 01	REC 21932	4A 08	REC 25420	4C 08
REC 18575	4E	REC 18996	4F 01	REC 21933	4A 08	REC 25421	4C 08
REC 18576	4E	REC 18997	4F 01	REC 21934	4A 08	REC 25422	4C 08
REC 18577	4E	REC 18998	4F 01	REC 21935	4A 08	REC 25423	4C 08
REC 18578	4E	REC 18999	4F 01	REC 21936	4A 08	REC 25424	4C 08
REC 18579	4E	REC 19000	4F 01	REC 21937	4A 08	REC 25425	4C 08
REC 18580	4E	REC 19001	4F 01	REC 21938	4A 08	REC 25426	4C 08
REC 18581	4E	REC 19002	4F 01	REC 21939	4A 08	REC 25427	4C 08
REC 18582	4E	REC 19003	4F 01	REC 21940	4A 08	REC 25428	4C 08
REC 18583	4E	REC 19004	4F 01	REC 21941	4A 08	REC 25429	4C 08
REC 18584	4E	REC 19005	4F 01	REC 21942	4A 08	REC 25430	4C 08
REC 18585	4E	REC 19006	4F 01	REC 21943	4A 08	REC 25431	4C 08
REC 18586	4E	REC 19007	4F 01	REC 21944	4A 08	REC 25432	4C 08
REC 18587	4E	REC 19008	4F 01	REC 21945	4A 08	REC 25433	4C 08
REC 18588	4E						

**Jaguar XKB Coupe/Convertible - Canada/USA**

**C01**  
Fiche 1

DESCRIPTIVE INDEX "3 way connector" TO "Brake pedal"

A-way connector	1. N 18	Airbag alert label-survisor-Canadian	2. O 05	Backlight glass finisher kit-assembly-service	3. C 13	Bodyshell -less doors-primed/sealed	3. G 02
A-way connector	1. G 18	Airbag deployment door	2. L 03	Backlight glass finisher-seal-RH	3. C 13	Bodyshell -less doors-primed/sealed	3. G 03
A-post closing panel-RH	3. G 12	Airbag module-assembly-driver's side-Sable	1. K 06	Backlight glass seal-outer	3. C 14	Bodyside-rear mounting-cast iron	3. G 15
A-post finisher-RH upper-Oatmeal	2. O 06	Airbag sensor-front	2. L 02	Balance weight-self adhesive fixing	1. L 08	Bolt	1. L 03
A-post finisher-RH upper-Oatmeal	2. O 07	Airbag warning label-glovebox	2. O 03	Balance weight-self adhesive fixing	1. L 09	Bolt	1. L 05
A-post inner panel-RH	3. G 12	Airbag warning label-headlining-Canadian	2. O 06	Bail bearing	1. J 08	Bolt	1. M 07
A-post trim-RH lower-Sable	2. O 06	Airbag warning label-headlining-Canadian	2. O 07	Bal/pint kit-assembly-outer	1. K 02	Bolt	1. K 09
A-post trim-RH lower-Sable	2. O 07	Aircleaner	1. G 04	Bal/pint upper-front suspension	1. K 14	Bolt	1. K 10
Abutment bracket	1. G 02	Aircleaner element	1. G 04	Bal/pin	3. D 05	Bolt	1. D 14
Abutment bracket	1. G 03	Aircleaner element	3. I 10	Barjo bolt	1. N 18	Bolt	1. K 18
Abutment bracket-trunk lid lock	3. D 08	Aircleaner mounting bracket	1. G 04	Base joint gasket-bumper mounting	3. C 05	Bolt -M8	1. K 04
Accelerator cable	1. G 06	Alloy road wheel-17" cast-chrome	1. L 08	Battery	2. I 02	Bolt -M8	1. F 14
Accelerator cable retainer	1. G 06	Alloy road wheel-17" cast-silver wheel	1. L 09	Battery charger-adaptor	3. H 10	Bolt -M8-bearing-housing	1. J 15
Accelerator pedal -assembly	1. G 06	Alloy road wheel-17" cast-silver wheel	3. I 02	Battery clamp	2. F 02	Bolt -M8-bearing-housing	1. J 16
Accelerator pedal pad	1. G 06	Alloy wheel cleaner-spray	3. I 09	Battery clamp bolt	2. F 02	Bolt -drive plate to crankshaft	1. E 13
Accelerator pedal return spring	1. G 06	Alternator	2. F 04	Battery cover-trunk -Flint grey	2. N 15	Bolt -handbrake lever	1. M 08
Accelerator pivot bearing bracket-LH	1. G 06	Alternator cooling duct	2. F 07	Battery vent tube	2. F 02	Bolt and washer	1. N 10
Access plug	1. D 08	Alternator link lead-suppression module	2. F 06	Battery wet-92 amp/hr	2. F 02	Bolt and washer	2. L 03
Actuator bracket-trunk lid	3. D 08	Alternator mounting bracket-assembly	2. F 05	Bayonet bulb-12v 4w	2. H 08	Bolt and washer -M8 x 20mm	1. D 06
Actuator link-front-door lock	3. E 04	Alternator regulator	2. F 04	Beam mounting/strut bolt	1. L 03	Bonnet badge	3. C 07
Actuator vacuum pipe	1. G 18	Alternator suppression module	2. F 06	Beam mounting/strut bolt	1. K 12	Bonnet earth lead	2. C 14
Adaptive damping module-blank unit	2. E 14	Ambient air temperature sensor	1. N 11	Bear nut-M6	3. G 06	Bonnet gas strut	3. D 05
Adhesive pad-blanking	1. F 16	Amplifier mounting bracket-compact disc	2. G 04	Bear nut-M6	3. G 13	Bonnet hinge-RH	3. G 17
Adjustable spacer-2.22mm	1. K 17	Anti lock brake system harness-front	2. C 02	Bear nut-M8	3. G 17	Bonnet latch -assembly-LH	3. D 04
Adjustable spacer-3.905mm	1. K 18	Anti lock brake system harness-rear	2. C 03	Bearing cap bolt	1. D 12	Bonnet liner	3. D 02
Adjustment block-window lift-door glass	3. D 10	Anti rattle buffer-door glass	3. D 10	Bearing circlip	1. G 06	Bonnet lock striker	3. D 04
Adjustment block-window lift-door glass	3. D 11	Anti rattle buffer-door glass	3. D 11	Bearing circlip-bearing-housing	1. J 15	Bonnet panel	3. G 17
Adjustment bolt-front suspension	1. K 14	Anti roll bar bush	1. K 09	Bearing circlip-bearing-housing	1. J 16	Bonnet release cable	3. D 04
Aerial ball nut	2. G 03	Anti roll bar push-rear	1. K 10	Bearing housing O-ring-differential	1. J 15	Bonnet release lever-assembly-LH	3. D 04
Aerial cleaner	2. G 03	Anti roll bar link-assembly	1. K 10	Bearing housing O-ring-differential	1. J 16	Bonnet seal-side	3. D 02
Aerial coax cable	2. G 03	Anti roll bar link-front	1. K 09	Bearing retaining collar	1. J 15	Bonnet stop buffer	3. D 04
Aerial coax cable	2. C 10	Anti roll bar mounting bracket	1. K 09	Bearing retaining collar	1. J 16	Booster cushion	3. H 07
Aerial coax cable-telephone-LH-rear wing	2. C 12	Anti roll bar mounting bracket	1. K 10	Bearing spacer	1. K 18	Booster seat	3. H 07
Aerial coax cable-telephone-rear screen	2. C 03	Anti roll bar-front	1. K 09	Bezel-fog lamp switch-Oatmeal	2. N 06	Bottom cap	1. H 02
Aerial drain tube	2. G 03	Anti roll bar-rear	1. K 10	Bezel-storage box	2. O 04	Bottom hose	1. H 05
Aerial mat	2. G 03	Antifreeze -500ml	3. I 09	Big end bearing shell-blue	1. D 12	Brace-RH-dash to valance	3. G 05
Aerial sealing grommet	2. G 03	Aperture blanking cover-headlamp-mounting	3. D 03	Bike holder-double	3. I 03	Brace-dash/tunnel	3. G 06
Air conditioning control panel	1. N 10	Arrow head clip	3. C 02	Blank key -standard	3. E 03	Bracket mounting	3. H 02
Air conditioning evaporator	1. N 13	Arrow head pipe clip	3. D 04	Blanking grommet	1. K 06	Bracket mounting-crossbeam	1. K 18
Air conditioning harness	2. C 05	Arrow head pipe clip	3. D 08	Blanking panel-rear quarter	2. G 05	Brake booster	1. M 06
Air conditioning hose	1. N 14	Aspirator grille-facia-Oatmeal	2. N 07	Blanking plate-inlet manifold	1. G 02	Brake caliper seal kit	1. M 09
Air conditioning pipe	1. N 14	Aspirator motor	1. N 11	Blanking plate-timing chain tensioner-primary	1. D 15	Brake caliper-RH front-less pads	1. M 09
Air conditioning pressure switch	1. N 14	Atmospheric recovery bottle	1. H 02	Blanking plug	1. G 06	Brake caliper-assembly-RH-less pads	1. M 10
Air conditioning unit	1. N 02	Audible warning speaker	2. E 07	Blanking plug	1. M 10	Brake disc kit	1. M 09
Air conditioning warning label	3. G 06	Audio amplifier link lead	2. C 10	Blanking plug-31.7mm diameter	2. C 17	Brake disc kit-painted-Black	1. M 10
Air conditioning water pump	1. N 15	Audio power amplifier	2. G 06	Blanking plug-header rail-Oatmeal	2. O 07	Brake hose	1. M 03
Air duct grommet-blanking-driver's side	1. F 09	Audio power amplifier	2. G 07	Blanking plug-towing	3. I 06	Brake hose clip	1. M 04
Air flow sensor	1. G 05	Automatic gearbox -new	1. J 02	Bleed hose	1. H 02	Brake hose clip	1. M 05
Air intake housing	1. N 07	Automatic transmission oil -1 litre	3. I 09	Bleed screw	1. M 09	Brake lever pin	1. M 10
Air intake housing	3. H 05	Axle shaft-assembly	1. J 15	Bleed screw	1. M 10	Brake master cylinder	1. M 06
Air intake tube	1. G 04	Axle shaft-assembly	1. J 16	Blower motor fan-RH	1. N 03	Brake modulator mounting bracket	1. M 11
Air particle filter	1. N 07	B-post panel-RH B-post-inner	3. G 12	Body processor module-blank unit	2. E 15	Brake modulator mounting rubber	1. M 11
Air particle filter	3. H 05	Baby seat	3. H 07	Body side moulding-RH lower-front fender	3. C 06	Brake pad kit-axle set-Jurid	1. M 09
Air pipe-inlet	3. C 13	Backlight glass	3. C 13	Body side panel -RH	3. G 06	Brake pad kit-rear	1. M 10
Air pump	3. H 02	Backlight glass	3. C 14	Body side panel -RH	3. G 10	Brake pedal	1. M 02

# Jaguar XK8 Coupe/Convertible - Canada/USA

C02  
Fiche 1

DESCRIPTIVE INDEX "Brake pedal housing gasket" TO "Connector bracket-harness-sensor-trunk"

Brake pedal housing gasket.....	1. M 02	Bush.....	1. M 08	Carbon canister.....	1. F 03	Clip.....	1. M 04
Brake pedal pad-rubber.....	1. M 02	Bush.....	1. K 10	Carbon canister.....	1. F 04	Clip.....	1. M 05
Brake pedal pivot pin.....	1. M 02	Bush-accelerator pedal.....	1. G 08	Carbon canister.....	1. F 05	Clip.....	1. O 08
Brake pedal switch.....	1. M 02	Bushed differential strut.....	1. L 05	Carbon canister.....	1. F 06	Clip.....	1. G 07
Brake pipe.....	1. M 03	Bushing kit.....	1. M 09	Carbon canister.....	1. F 07	Clip.....	1. M 07
Brake pipe.....	1. M 04	Bushing kit.....	1. M 10	Carbon canister mounting bracket.....	1. F 03	Clip.....	1. G 09
Brake pipe.....	1. M 05	Bypass hose-heater and air conditioning.....	1. H 05	Carbon canister mounting bracket.....	1. F 04	Clip.....	1. G 10
Brake return spring-RH.....	1. M 08	Bypass servo motor.....	1. N 02	Carbon canister mounting bracket.....	1. F 05	Clip.....	1. G 11
Brake shoe kit-axle ser.....	1. M 10	Cabin cable -RH side-facia-fusebox.....	2. C 05	Carbon canister mounting bracket.....	1. F 07	Clip.....	1. G 12
Brake vacuum pipe.....	1. M 06	Cable clip.....	1. H 02	Carbon canister mounting bracket-RH.....	1. F 08	Clip.....	1. G 13
Brass nut -thin.....	1. M 03	Cable clip.....	1. M 03	Carbon canister mounting-rubber.....	1. F 03	Clip.....	1. G 14
Breather hose.....	1. F 02	Cable clip.....	1. G 08	Carbon canister mounting-rubber.....	1. F 04	Clip.....	3. C 09
Breather hose.....	1. F 05	Cable clip.....	1. G 07	Carbon canister mounting-rubber.....	1. F 05	Clip-trim cover-rear quarter.....	2. M 15
Breather hose.....	1. G 05	Cable clip.....	1. F 18	Carbon canister mounting-rubber.....	1. F 07	Closing plate-plenum-assembly.....	3. C 09
Breather hose.....	1. G 10	Cable clip.....	2. C 02	Cargo net-rear.....	3. H 08	Clutch service kit.....	1. N 08
Breather hose.....	1. G 11	Cable clip-double.....	2. C 13	Carpet support bracket.....	2. N 10	Coat hook-Oatmeal.....	2. M 10
Breather hose.....	1. G 12	Cable fork end.....	1. M 08	Carpet support bracket.....	2. N 13	Coin tray.....	3. H 08
Breather hose.....	1. G 13	Cable protection cover.....	2. F 03	Carpet-LH-main floor -Sable.....	2. N 10	Coin tray.....	3. H 09
Breather hose.....	1. G 14	Cable tie.....	1. K 18	Carpet-LH-main floor -Sable.....	2. N 13	Coin tray mal-centre console.....	2. M 08
Breather pipe.....	1. F 03	Cable-remote release-trunk.....	3. D 08	Carpet-RH-main floor -Sable.....	2. N 09	Coin tray-centre console.....	2. M 08
Breather pipe-canister to atmosphere.....	1. F 06	Cable-starter motor to alternator.....	2. F 05	Carpet-RH-main floor -Sable.....	2. N 12	Collar nut-seatbelt slider.....	2. L 06
Breather pipe-canister to atmosphere.....	1. F 07	Cable/pipe clip-0.375" diameter.....	1. F 03	Carrier box lid.....	2. C 15	Column adjust switch-electric adjust.....	2. E 06
Breather tube.....	1. O 03	Cable/pipe clip-0.375" diameter.....	1. F 04	Carrier box-trunk.....	2. C 15	Column coil finisher-lower.....	2. E 09
Buffer.....	3. D 04	Cable/pipe clip-0.375" diameter.....	1. F 05	Centre console ashtray-assembly-rear.....	2. M 08	Compact disc autochanger magazine-6 disc.....	2. G 04
Buffer-rubber.....	3. C 10	Cable/pipe clip-0.375" diameter.....	1. F 07	Centre console-ambia-Teal.....	2. M 05	Compact disc autochanger magazine-8 disc.....	3. H 11
Bulb-rubber.....	3. C 11	Cam plate.....	2. N 10	Centre vent.....	2. N 04	Compact disc autochanger-with magazine.....	2. G 04
Bulb.....	2. O 05	Cam plate.....	2. N 13	Chain guide.....	1. D 15	Compact disc autochanger-with magazine.....	3. H 11
Bulb and holder-instrument cluster.....	2. E 03	Camshaft cover bolt-rear -inner.....	1. E 03	Chain tensioner blade.....	1. D 15	Compact disc carry case.....	3. H 11
Bulb holder-direction indicator-headlamp.....	2. H 02	Camshaft cover fastener.....	1. E 03	Chain tensioner-FH A-bank-secondary.....	1. D 18	Compact disc player link lead.....	2. G 04
Bulb holder-direction indicator-headlamp.....	2. H 03	Camshaft cover gasket-RH A-bank.....	1. E 03	Chain tensioner-primary.....	1. D 15	Companion flange kit.....	1. J 15
Bulb kit.....	3. I 03	Camshaft cover gasket-RH A-bank.....	1. E 08	Change over plate-gearbox.....	1. J 08	Companion flange kit.....	1. J 16
Bulb-5w.....	2. H 02	Camshaft cover gasket-RH A-bank.....	1. E 09	Change over relay.....	2. D 02	Compression upring.....	1. J 08
Bulb-5w.....	2. H 03	Camshaft cover-RH A-bank.....	1. E 03	Charge valve -high pressure.....	1. N 09	Compression eyring.....	1. M 10
Bulb-5w.....	2. H 06	Camshaft position sensor-cylinder head.....	1. F 11	Charge valve -low pressure.....	1. N 14	Compressor air conditioning.....	1. N 08
Bulb-5w.....	2. H 05	Camshaft sprocket-exhaust-camshaft.....	1. D 16	Chester finisher -assembly-RH door-inner.....	2. N 02	Condensate drain tube-assembly.....	1. N 02
Bulb-6w.....	2. H 10	Cancellation/cassette module.....	2. E 07	Child restraint tether bracket kit.....	2. L 07	Condenser mounting grommet.....	1. K 03
Bulb-6w.....	2. H 11	Canister close valve.....	1. F 04	Cigar-lighter element-front.....	2. E 10	Condenser mounting grommet.....	1. M 11
Bulb-blue.....	2. E 11	Canister close valve.....	1. F 05	Cigar-lighter housing.....	2. E 10	Condenser-assembly.....	1. N 09
Bulb-clear.....	2. E 09	Canister close valve.....	1. F 08	Circlip.....	1. D 12	Cone.....	1. J 08
Bulb/head cover-FH.....	3. D 03	Canister connector.....	1. F 07	Circlip-front suspension.....	1. K 13	Connecting pipe-recovery hose to header.....	1. H 02
Bulb/head insulation -centre-upper.....	2. N 18	Canister purge inlet.....	1. F 03	Clamp bolt.....	3. I 05	Connecting rod-assembly.....	1. D 12
Bulb/head seal.....	1. N 13	Cap screw.....	1. J 08	Clamp bolt-torx head.....	2. F 02	Connector.....	1. M 03
Bulb/head seal-RH.....	3. D 02	Cap-RH.....	3. C 17	Clamp bracket.....	1. F 06	Connector.....	1. M 04
Bumper: beam-front-energy absorbing.....	3. C 03	Cap-charge port.....	1. N 09	Clamp kit-front pipe clip.....	1. N 13	Connector.....	1. M 05
Bumper beam-rear.....	3. C 05	Cap-charge port.....	1. N 14	Clamp screw.....	3. H 02	Connector.....	1. O 08
Bumper cover support strap-rear.....	3. C 05	Capping-RH-ambia-twin stitched-Oatmeal.....	2. M 14	Clamping plate-RH.....	3. C 04	Connector.....	1. G 07
Bumper cover-front-primer painted.....	3. C 03	Captive nut.....	1. N 04	Clamping plate-hood.....	3. E 09	Connector bracket.....	2. C 02
Bumper cover-rear -primed/sealed.....	3. C 05	Captive nut.....	2. L 03	Clamping plate-hood.....	3. E 10	Connector bracket.....	2. F 05
Bumper fixing kit-front.....	3. H 15	Captive nut.....	2. G 04	Clamping plate-hood.....	3. E 11	Connector bracket.....	2. F 08
Bumper fixing block-rear.....	3. C 05	Captive nut.....	2. G 03	Clamping plate-hood.....	3. E 12	Connector bracket-J-gate.....	1. F 08
Bumper mounting crossmember-crossbeam.....	3. G 07	Captive nut.....	2. G 08	Clevis nut.....	1. J 13	Connector bracket-J-gate.....	1. J 09
Bumper mounting reinforcement-front.....	3. G 07	Captive nut.....	2. G 07	Clevis pin.....	1. M 08	Connector bracket-LH A-post.....	2. C 08
Bumper security locking bolt-set-90mm.....	3. H 03	Captive nut-M8.....	2. F 03	Clevis pin.....	3. E 16	Connector bracket-assembly.....	1. F 18
Bumper strut-front.....	3. C 03	Car cover-Evolution 4.....	3. I 04	Clip.....	1. M 03	Connector bracket-assembly-console.....	2. M 08
Bumper strut-rear -energy absorbing.....	3. C 05	Car lifting jack.....	3. I 05	Clip.....	1. G 04	Connector bracket-harness-sensor-trunk.....	2. C 04

Jaguar XK8 Coupe/Convertible - Canada/USA

C03  
Fiche 1

DESCRIPTIVE INDEX \*Connector bracket-trunk \* TO \*Evaporative loss flange-steel

Connector bracket-trunk	2. C 13	Cushion cover-front seat-ambla/leather-Teal	2. J 02	Door casing-LH-centra panel-ambla	2. M 17	Duct seal	1. G 05
Connector clip	3. C 10	Cushion cover-front seat-embossed leather	2. J 10	Door casing-RH-centra panel-cloth-Cream	2. M 16	Duct-RH	1. N 04
Connector clip	2. J 09	Cushion cover-front seat-sports cloth-Cream	2. J 09	Door checkarm-front	3. E 06	Duct-plenum	3. C 09
Connector clip	3. C 11	Cushion cover-rear seat-ambla/leather-Teal	2. K 04	Door glass and carrier-RH	3. D 10	Dust cap	1. M 09
Console finisher-rear-trimmed-Oatmeal	2. M 08	Cushion cover-rear seat-ambla/leather-Teal	2. K 02	Door handle-LH front-chromed flap-with	3. D 17	Dust cap	1. M 10
Console lid-Oatmeal	2. M 05	Cushion cover-rear seat-sports cloth-Cream	2. K 08	Door handle-LH front-painted flap-with lock	3. E 02	Dust shield-plenum	3. C 09
Console lid-contrast stitching-Oatmeal	2. M 07	Cushion frame-RH front seat	2. K 09	Door handle-RH front-chromed flap-without lock	3. D 16	Earth braid	2. G 03
Console lid-front-leather-Cream	3. H 13	Cushion heater element	2. K 13	Door handle-RH-painted flap-without lock	3. D 18	Earth lead screw-M8 x 30mm	2. C 14
Console lid catch plate	2. M 08	Cushion pad-RH front seat	2. J 10	Door harness-driver	2. C 07	Earth lead-hood	1. G 14
Console lid stay	2. M 05	Cushion rear seat-ambla/leather-Teal	2. K 04	Door hinge-RH upper	3. E 06	Earth lead-wheel hub to chassis	1. G 12
Console panel veneer-centre console-burr	2. N 06	Cushion rear seat-ambla/leather-Teal	2. K 04	Door latch-assembly-front door-RH	3. E 04	E-ge clip-double	2. N 07
Console switch cover moulding	2. E 09	Cushion rear seat-ambla/leather-Teal	2. K 02	Door lock barrel-LH	3. D 13	Edge finisher	1. K 03
Console switch module	2. E 09	Cushion rear seat-sports cloth-Cream	2. K 08	Door mirror-aspheric	3. H 05	Edge finisher strip	2. C 05
Control module bracket	1. G 18	Cushion rear seat-sports cloth-Warm	2. K 08	Door mirror-assembly-RH-less	3. C 15	Edge finisher strip	2. M 07
Control module housing-rear-upper	1. F 08	Cut key-standard	3. E 03	Door mirror-less glass/beckcover-RH	3. H 04	Elbow	1. C 03
Control module-interior light	2. H 10	Cycle holder-trunk rack	3. H 06	Door mirror-less glass/beckcover-RH	3. C 16	Elbow	3. E 17
Control valve-gearbox	1. J 04	Cylinder head bolt-M10 x 175mm	1. D 13	Door module-blank unit	2. E 14	Electric aerial	2. G 03
Control valve-variable valve timing	1. F 11	Cylinder head gasket set	1. E 08	Door panel-assembly-RH	3. G 17	Electronic control module	1. N 02
Coolant reservoir	1. H 02	Cylinder head gasket set	1. E 09	Door pocket finisher-RH-Oatmeal	2. N 02	Electronic control module-8 valve	1. M 11
Coolant temperature sensor	1. F 11	Cylinder head gasket-RH A-bank	1. E 08	Door skin panel-RH	3. G 17	Electronic control module-airbag	2. L 02
Cooler/warmer box	3. I 03	Cylinder head gasket-RH A-bank	1. E 09	Door waist seal-inner	3. E 07	Emission label	1. H 04
Cooling duct-inlet	1. F 09	Cylinder head gasket-RH A-bank	1. D 13	Door waist seal-outer	3. E 08	End cap	3. E 16
Cooling fan-module	1. F 09	Cylinder head with valves-RH A-bank	1. D 13	Door/cheater seal-RH	3. E 07	End cover bolt-M8	1. J 15
Core plug-28mm	1. D 06	Damper bolt	1. L 02	Door/cheater seal-RH	3. E 08	End cover bolt-M8	1. J 16
Cotton seat cover-cotton	3. I 04	Damper bush	1. D 10	Double clip	1. M 03	End cover differential	1. J 15
Countersunk screw-torx head-M8 x 25mm	3. E 04	Damper bush-front lower	1. K 11	Double edge finisher-left forward harnco	2. C 04	End cover differential	1. J 19
Coupling bolt	1. J 14	Damper gaiter	1. L 02	Dowel	1. M 03	Engine bay fusebox-22 way	2. C 16
Coupling washer	1. J 14	Damper gaiter	1. K 11	Dowel	1. D 08	Engine block heater-kit-110v	1. H 07
Cover retention bracket	1. M 11	Damper mounting plate-RH front	1. K 14	Dowel	1. D 10	Engine block heater-kit-110v	3. I 04
Cover-bumper-overrider-RH	3. C 05	Decking panel	3. G 13	Dowel	1. D 13	Engine breather hose	1. F 02
Cover-damper	1. K 12	Decking panel-rear	3. G 14	Dowel	1. D 17	Engine control module-blank unit	2. E 14
Cover-engine bay	3. D 03	Damster grille-RH-Sable	2. N 05	Dowel	1. D 17	Engine cover-RH A-bank	1. D 03
Cover-sensor	1. G 11	Differential bearing	1. J 15	Drain channel panel-RH rear wing	3. G 09	Engine cover-block valley	1. D 06
Crankshaft damper	1. D 10	Differential bearing	1. J 16	Drain channel panel-RH rear wing	3. G 10	Engine cover-dipstick tube	1. D 08
Crankshaft main bearing-blue/green	1. D 10	Differential case breather	1. J 15	Drain hose grommet	2. G 03	Engine drive belt	1. D 18
Crankshaft main bearing-blue/green-lower	1. D 11	Differential case breather	1. J 16	Drain plug-O-ring sealing	1. H 04	Engine earth lead	2. C 14
Crankshaft oil seal-front	1. E 08	Differential gear-assembly	1. J 15	Drain tube	1. N 11	Engine harness	1. F 15
Crankshaft oil seal-front	1. E 09	Differential shaft bearing	1. J 15	Drain tube grommet-rear	1. G 08	Engine harness link lead	1. F 17
Crankshaft oil seal-front	1. D 10	Differential shaft bearing	1. J 16	Drain tube-hood	3. E 14	Engine management harness	1. F 15
Crankshaft oil seal-front	1. E 10	Differential assembly-9.06:1	1. J 15	Drain tube-plenum-RH	3. C 03	Engine mounting bracket-RH	1. D 04
Crankshaft speed sensor	1. F 11	Differential assembly-9.27:1	1. J 16	Drip moulding-seal carrier-RH	3. E 07	Engine mounting bracket-rear	1. D 05
Crankshaft sprocket-engine	1. D 15	Dimmer control knob	2. E 08	Drive belt tensioner	1. E 02	Engine mounting heatshield	1. D 04
Crankshaft thrust washer	1. D 10	Direction indicator lamp bulb-yellow	2. H 02	Drive coupling-propshaft to gearbox	1. J 02	Engine mounting-rear	1. D 05
Crankshaft selective shells	1. D 10	Direction indicator lamp bulb-yellow	2. H 11	Drive gear bolt-M12	1. J 15	Engine oil dipstick	1. D 08
Crossbeam-front suspension	1. K 16	Direction indicator lamp bulb-yellow	2. H 11	Drive plate-assembly	1. E 13	Engine speed sensor-rump	1. F 11
Crossbrace-front	3. G 04	Disc shield-RH front	1. K 13	Driver's door switch/pack	2. K 11	Escutcheon screw cover-Sable	3. D 15
Crossmember-rear floor-inner	3. G 13	Distance tube	1. K 03	Driver's seat harness-memory	2. C 11	Escutcheon-lever-front seat-Teal	2. J 07
Crownwheel and pinion-assembly	1. J 15	Domed wheel nut-stainless steel	1. L 08	Drop in carpet-LH front floor-Sable	2. N 11	Escutcheon-lever-front seat-Teal	2. J 16
Cubby box shelf	3. H 08	Domed wheel nut-stainless steel	1. L 09	Drop in carpet-LH front floor-Sable	2. N 14	Evaporative loss flange-steel	1. G 09
Cubby box shelf	3. H 09	Door aperture edge finisher-RH door	3. E 07	Drop in carpet-RH front floor-Sable	2. N 10	Evaporative loss flange-steel	1. G 12
Cubby box-assembly	2. M 06	Door armrest-LH door-Oatmeal	2. M 18	Drop in carpet-RH front floor-Sable	2. N 13	Evaporative loss flange-steel	1. G 13
Cubby box-assembly	3. H 08	Door armrest-RH door-Oatmeal	2. M 17	Duct	1. F 09	Evaporative loss flange-steel	1. G 14
Cup holder fitting kit	3. H 13						
Cup holder mechanism-console lid	2. M 07						
Cup washer-M8-chrome	2. M 15						

**Jaguar XK8 Coupa/Convertible - Canada/USA**

**C04**  
**Fiche 1**

**DESCRIPTIVE INDEX "Evaporator outlet thermostat" TO "Flexible hose"**

Evaporator outlet thermostat	1. N 13	Filter-fuel filler -drain	1. G 08	Flange head screw	2. E 04	Flange nut-assembly	2. K 06
Executive touring kit	3. I 03	Final drive oil-500ml bottle	1. J 16	Flange head screw	2. I 04	Flange nut-assembly	2. K 06
Exhaust camshaft-RH A-bank	1. E 04	Final drive oil-500ml bottle	3. I 09	Flange head screw	2. C 06	Flange nut-assembly	2. K 02
Exhaust downpipe and catalyst-RH	1. I 02	Finisher cap	3. C 09	Flange head screw	2. G 05	Flange screw	1. L 03
Exhaust gas recirculation pipe	1. F 14	Finisher-centre console-cubby box	2. M 08	Flange head screw	2. H 07	Flange screw	1. D 08
Exhaust gas recirculation pipe gasket	1. G 02	Finisher-front header	3. E 13	Flange head screw	2. C 14	Flange screw	3. G 16
Exhaust gas recirculation pipe gasket	1. F 14	Finisher-front header-Oatmeal	2. O 07	Flange head screw	3. C 04	Flange screw-M6	2. C 03
Exhaust gas recirculation pipe gasket	1. F 14	Finisher-primer painted-rear -number plate	2. H 08	Flange head screw	3. H 18	Flange screw-M6	2. C 03
Exhaust manifold gasket-RH A-bank	1. E 08	Fir tree clip	1. G 17	Flange head screw-M10 x 30mm	2. F 03	Flange screw-M6	2. C 14
Exhaust manifold gasket-RH A-bank	1. E 09	Fir tree clip	2. M 15	Flange head screw-M5 x 12mm	1. G 02	Flange screw-M6	1. I 03
Exhaust manifold gasket-RH A-bank	1. E 12	Fir tree clip	2. N 16	Flange head screw-M5 x 12mm	1. E 03	Flange screw-M8	1. F 18
Exhaust manifold-RH A-bank	1. E 12	Fir tree clip	3. C 03	Flange head screw-M5 x 12mm	1. G 03	Flanged head screw	1. F 09
Exhaust mounting bracket	1. I 03	Fir tree clip	3. D 06	Flange head screw-M6 x 12mm	1. D 09	Flanged head screw	1. G 09
Exhaust mounting bracket-RH	1. I 02	Fir tree clip	3. D 07	Flange head screw-M6 x 12mm	1. H 08	Flanged head screw	1. G 10
Exhaust mounting rubber-rear	1. I 03	Fir tree clip	3. H 18	Flange head screw-M6 x 18mm	1. F 11	Flanged head screw	1. G 11
Exhaust mounting-rubber	1. I 03	Fir tree fastener-door casing	2. N 02	Flange head screw-M6 x 16mm	1. G 17	Flanged head screw	1. N 09
Exhaust pipe clamp	1. I 02	Fire extinguisher-dry powder-1.3 Kg	3. H 02	Flange head screw-M6 x 18mm	2. F 07	Flanged head screw	1. F 10
Exhaust pipe clamp	1. I 03	First aid kit	3. H 02	Flange head screw-M6 x 25mm	1. H 06	Flanged head screw	1. G 12
Exhaust silencer-RH rear	1. I 03	Fixing button-Warm charcoal	2. N 11	Flange head screw-M8-10mm	1. K 04	Flanged head screw	1. G 13
Exhaust silencer-front	1. I 02	Fixing button-Warm charcoal	2. N 14	Flange head torx screw	3. D 10	Flanged head screw	1. G 14
Exhaust valve	1. E 04	Fixing button-Warm charcoal	2. C 03	Flange head torx screw	3. D 11	Flanged head screw	1. J 14
Exhaust valve seat insert	1. D 13	Fixing kit	1. N 13	Flange head torx screw	3. D 12	Flanged head screw	2. F 07
Expansion hose	1. H 02	Fixing kit-alphadot	3. H 03	Flange head torx screw-M8	2. H 02	Flanged head screw	3. G 05
Extension bracket	1. L 05	Fixing kit-wind deflector	3. H 05	Flange head torx screw-M8	2. H 03	Flanged head screw-M5	2. G 04
Extension panel-RH rear wheelarch	3. G 06	Flange bolt	1. M 03	Flange head torx screw-M8	3. D 04	Flanged head screw-M5	2. G 06
Extension panel-RH sidemember-inner	3. G 07	Flange finisher-A-post	3. E 07	Flange locking nut	1. L 05	Flanged head screw-M5	2. G 07
Face level air duct	1. N 05	Flange finisher-A-post	3. E 08	Flange locking nut	1. K 14	Flanged head screw-M6 x 14mm	2. L 02
Face level air duct-RH-front	1. N 04	Flange head bolt	1. E 02	Flange locking nut-M8	1. K 05	Flanged head screw-M6 x 20mm	1. H 06
Facia centre cover-Sable	2. N 06	Flange head bolt	1. D 13	Flange locking nut-M8	1. M 08	Flanged head screw-M8 x 20mm	1. E 11
Facia end panel-RH side-Oatmeal	2. N 07	Flange head bolt	1. D 15	Flange locking nut-M8	2. C 17	Flanged head screw-M8 x 25mm-hinge to	3. E 06
Facia harness	2. C 06	Flange head bolt	1. D 16	Flange nut	1. F 05	Flanged head screw-radiator to condenser	1. H 04
Facia mounting bracket-lower	2. N 07	Flange head bolt	2. F 05	Flange nut	1. F 06	Flanged head screw-star-ring rack and pinion	1. K 02
Facia panel reinforcement-passenger side	2. N 07	Flange head bolt	3. G 15	Flange nut	1. F 07	Flanged head screw-M6 x 12mm	1. N 15
Facia veneer RH-burr walnut	2. N 06	Flange head bolt-14mm x 125mm	1. K 09	Flange nut	1. N 09	Flanged hexagonal dog pointed screw-M6	1. F 11
Facia vent-RH outer	2. N 04	Flange head bolt-M6 x 50mm	1. D 07	Flange nut	1. K 12	Flanged nut	1. F 14
Facia-Sable	2. N 04	Flange head bolt-M6 x 50mm-water pump	1. H 08	Flange nut-M10	1. M 08	Flanged nut	1. D 17
Fan and cowl assembly	1. H 03	Flange head bolt-M6 x 65mm	1. E 12	Flange nut-M10	1. K 09	Flanged nut -M10	1. G 09
Fan pulley-alternator	2. F 04	Flange head bolt-geabox to engine	1. J 02	Flange nut-M10	1. K 10	Flanged nut -M10	1. G 10
Feed hose connector-assembly	1. F 03	Flange head bolt-inlet manifold-M8 x 70mm	1. E 11	Flange nut-M6	1. J 09	Flanged nut -M10	1. G 11
Female fastener-hood cover	3. E 15	Flange head bolt-rear suspension	1. L 05	Flange nut-M6	1. F 09	Flanged nut -M10	1. G 12
Female plug -0.75" bep	1. J 15	Flange head screw	1. I 02	Flange nut-M6	1. J 10	Flanged nut -M10	1. G 13
Female plug -0.75" bep	1. J 16	Flange head screw	1. K 03	Flange nut-M6	1. F 18	Flanged nut -M10	1. G 14
Fender motif-RH front	3. C 07	Flange head screw	1. G 04	Flange nut-M6	2. C 02	Flanged nut -M10	2. F 05
Filter cap retaining magnet	3. G 09	Flange head screw	1. G 05	Flange nut-M6	2. D 02	Flanged nut -M8	1. F 02
Filter cap retaining magnet	3. G 10	Flange head screw	1. J 05	Flange nut-M6	2. I 02	Flanged nut -M8	1. O 04
Filter tube grommet-reservoir	1. D 03	Flange head screw	1. D 06	Flange nut-M6	2. H 05	Flanged nut -M8	2. C 03
Filter	1. F 04	Flange head screw	1. F 08	Flange nut-M6	2. H 08	Flanged nut -M8	2. C 06
Filter	1. F 05	Flange head screw	1. N 08	Flange nut-M6	2. H 08	Flanged nut -M8	2. C 17
Filter	1. F 06	Flange head screw	1. F 09	Flange nut-M6	2. C 17	Flanged nut -M8	3. E 06
Filter	1. G 04	Flange head screw	1. K 08	Flange nut-M6	3. H 03	Flanged nut -stainless steel	1. I 02
Filter	1. G 10	Flange head screw	1. K 10	Flange nut-M6	3. D 04	Flap-trunk lamp access-RH	2. N 18
Filter	1. G 11	Flange head screw	1. J 11	Flange nut-M6	3. D 08	Flat head rivet-cover to bumper beam	2. C 02
Filter	1. G 12	Flange head screw	1. K 18	Flange nut-M8	3. C 05	Flat head rivet-cover to bumper beam	3. C 05
Filter	1. G 13	Flange head screw	2. C 02	Flange nut-M8	3. E 18	Flat washer	1. L 06
Filter	1. G 14	Flange head screw	2. I 02	Flange nut-assembly	2. K 04	Flexible hose	1. M 04

# Jaguar XK8 Coupe/Convertible - Canada/USA

C05  
Fiche 1

DESCRIPTIVE INDEX "Flexible hose " to "Hexagonal flange nut"

Flexible hose	1. M 05	Fuel return hose	1. G 17	Gearshift hand lever-J-gate	1. J 08	Harness clip kit	2. C 08
Flexible joint coupling	1. J 14	Fuel return pipe	1. G 07	Glovebox boltster liner-passenger side	2. O 03	Harness clip kit	2. C 09
Fluid level sensor	1. H 02	Fuel return pipe-assembly	1. G 17	Glovebox lock barrel	2. O 03	Harness clip kit	2. C 11
Foam block-LH front fender	3. C 02	Fuel tank location pad-rear	1. G 16	Glovebox lock barrel	3. D 13	Harness clip kit	2. C 12
Foam pad-mobile telephone	3. H 06	Fuel tank location pad-rear	2. C 13	Grommet	1. H 02	Harness clip kit	2. C 13
Foam pad-mobile telephone	3. H 09	Fuel tank pad-lower	1. G 16	Grommet	1. F 03	Harness grommet	2. C 09
Foam strip-anti rattle	2. C 03	Fuel tank pressure sensor	1. G 11	Grommet	1. O 03	Harness grommet-LH rear quarter	2. C 04
Foglamp covers	3. I 04	Fuel tank seal	1. G 09	Grommet	1. G 04	Harness grommet-RH rear quarter	2. C 10
Footrest bracket	2. M 03	Fuel tank seal	1. G 10	Grommet	1. F 08	Harness shield-RH	1. F 16
Footrest support-support plate	2. M 03	Fuel tank seal	1. G 11	Grommet	1. G 07	Harness shield-bumper	2. C 02
Footrest-assembly-low rest	2. M 03	Fuel tank seal	1. G 12	Grommet	1. N 09	Harness shield-facia	2. C 08
Footwell duct-RH	1. N 04	Fuel tank seal	1. G 13	Grommet	1. E 11	Harness shield-rear	2. C 04
Footwell lamp	2. H 09	Fuel tank seal	1. G 14	Grommet	1. M 11	Harness shield-rear	2. C 13
Fork end	1. M 08	Fuel tank strap	1. G 16	Grommet	1. G 18	Harness-RH blower motor	1. N 03
Friction bush stay	2. M 06	Fuel tank-unleaded fuel	1. G 09	Grommet	2. C 02	Header panel	3. G 02
Friction bush-Cream	2. N 02	Fuel tank-unleaded fuel	1. G 10	Grommet-dash to valance	3. G 05	Header panel	3. G 14
Front end protector	3. I 04	Fuel tank-unleaded fuel	1. G 11	Grommet-hood pump	3. E 18	Header seal	3. E 14
Fuel can-5 litre	3. I 06	Fuel tank-unleaded fuel	1. G 12	Guide channel-wiper arm	1. O 05	Headlamp access cover	2. H 02
Fuel feed hose	1. G 17	Fuel tank-unleaded fuel	1. G 13	Guide piece-headlining to rear quarter casing	3. E 09	Headlamp access cover	2. H 03
Fuel feed pipe	1. G 07	Fuel tank-unleaded fuel	1. G 14	Guide piece-headlining to rear quarter casing	3. E 10	Headlamp bulb access panel-RH wheelarch	3. C 02
Fuel feed pipe	1. G 17	Fulcrum bolt nut	1. L 05	Guide piece-headlining to rear quarter casing	3. E 11	Headlamp bulb-65w-halogen-high beam	2. H 02
Fuel filler cap	1. G 06	Fulcrum bolt washer	1. L 05	Guide piece-headlining to rear quarter casing	3. E 12	Headlamp bulb-65w-halogen-high beam	2. H 03
Fuel filler drain tube	1. G 08	Fulcrum shaft-front suspension-wishbone	1. K 15	Guide rail -RH forward	3. D 10	Headlamp bulb-65w-halogen-high beam	2. H 11
Fuel filler flap	3. G 09	Fulcrum tie-front suspension	1. K 09	Guide rail -RH forward	3. D 11	Headlamp bulb-high beam	2. H 07
Fuel filler flap	3. G 10	Fuse puller	2. C 15	Guide-door glass	3. D 10	Headlamp covers	3. I 04
Fuel filler gaiter-assembly	1. G 06	Fuse-3 amp-violet	2. C 18	Guide-door glass	3. D 11	Headlamp lens-LH side	2. H 02
Fuel filler lid latch	3. E 05	Fusebox cover-22 way-engine bay	2. C 16	Guiding pin	1. M 09	Headlamp lens-RH side	2. H 03
Fuel filler release striker	3. E 05	Fusebox label	2. C 15	Guiding pin	1. M 10	Headlamp mounting bracket -RH	2. H 02
Fuel filter	1. G 07	Fusebox lid label-trunk	2. C 15	Guiding pin	3. E 09	Headlamp mounting bracket -RH	2. H 03
Fuel filter	3. I 10	Fusebox power cable	2. C 17	Guiding pin	3. E 10	Headlamp powerwash pump	1. O 03
Fuel filter adaptor	1. F 06	Fusebox power cable-trunk	2. C 16	Guiding pin	3. E 11	Headlamp-assembly-RH side	2. H 02
Fuel filter mounting bracket	1. G 07	Fusebox protection module	2. C 17	Guiding pin	3. E 12	Headlamp-assembly-RH side	2. H 03
Fuel flap/trunk release switch	2. E 13	Fusebox protection module lid	2. C 17	Halfshaft spacer-3.5mm	1. J 13	Headlining-Nimbus grey	3. E 10
Fuel hose	1. G 09	Fusebox-18 way-facia-driver's side	2. C 16	Halfshaft-assembly	1. J 13	Headlining-Nimbus grey	3. E 12
Fuel hose	1. G 10	Gaiter clip	1. L 02	Handbrake cable adjuster	1. M 08	Headlining-Oatmeal	2. O 06
Fuel hose	1. G 10	Gaiter clip-large	1. K 02	Handbrake cable equaliser	1. M 08	Headlining-Oatmeal	3. E 09
Fuel hose	1. G 11	Gaiter locating collar	1. L 02	Handbrake cable tunion	1. M 07	Headlining-Oatmeal	3. E 11
Fuel hose	1. G 12	Gaiter retainer	1. K 02	Handbrake cable-RH rear	1. M 08	Heated oxygen sensor	1. F 13
Fuel hose	1. G 13	Garage door opener module	2. H 10	Handbrake cable-front	1. M 07	Heater blower motor-RH	1. N 03
Fuel hose	1. G 14	Gasket	1. M 08	Handbrake cover-LH-Oatmeal	2. N 11	Heater blower-assembly-RH	1. N 03
Fuel injector	1. G 17	Gasket-adjustable-window lift-door glass	3. D 10	Handbrake cover-LH-Oatmeal	2. N 14	Heater core -assembly	1. N 13
Fuel label	3. G 08	Gasket-adjustable-window lift-door glass	3. D 11	Handbrake damper	1. M 08	Heater core outlet thermostat	1. N 13
Fuel label	3. G 10	Gasket-downpipe to manifold	1. E 08	Handbrake lever grommet	1. M 08	Heater feed hose	1. N 16
Fuel pipe	1. G 17	Gasket-downpipe to manifold	1. E 09	Handbrake switch	1. M 07	Heater feed pipe	1. N 16
Fuel pipe grommet	1. G 07	Gasket-downpipe to manifold	1. E 12	Handbrake-assembly	1. M 07	Heater hose-assembly	1. N 15
Fuel pressure regulator	1. G 17	Gasket-throttle body adaptor	1. G 02	Handlever spacer	1. M 07	Heater return hose	1. N 16
Fuel pressure sensor-fuel tank	1. G 09	Gasket-throttle body adaptor	1. G 03	Handlever spacer	1. M 09	Hexagon flange screw	1. K 02
Fuel pressure sensor-fuel tank	1. G 10	Gear change knob-alky-chrome	3. H 16	Harness bracket-RH-front screen	1. F 18	Hexagon flange screw-M8 x 16mm	1. K 09
Fuel pressure sensor-fuel tank	1. G 11	Gear change knob-wooden-walnut-without	1. J 08	Harness bracket-console	1. J 08	Hexagon head paint cleaning screw	1. O 04
Fuel pump/filter	1. G 10	Gear control cable-assembly	1. J 11	Harness clip	2. C 02	Hexagon head paint cleaning screw	1. N 09
Fuel pump/filter	1. G 13	Gear selector illumination module	1. J 08	Harness clip kit	1. F 17	Hexagon head screw-M8 x 2°-nm	1. G 02
Fuel pump/filter-assembly	1. G 08	Gearbox extension housing	1. J 02	Harness clip kit	2. C 02	Hexagon head screw-M8 x 20mm	1. F 14
Fuel pump/filter-assembly	1. G 11	Gearbox internal harness-gearbox	1. J 04	Harness clip kit	2. C 04	Hexagon head screw-M8 x 35mm	1. D 05
Fuel pump/filter-assembly	1. G 12	Gearbox mode switch bezel-assembly	2. E 10	Harness clip kit	2. C 06	Hexagon socket cap screw-M10	1. M 10
Fuel pump/filter-assembly	1. G 14	Gearbox tunnel cover	3. G 08	Harness clip kit	2. C 07	Hexagonal flange nut	1. H 02

# Jaguar XK8 Coupe/Convertible - Canada/USA

C06  
Fiche 1

DESCRIPTIVE INDEX "Hexagonal flange nut-M5" TO "Mechanism-RH-memory"

Hexagonal flange nut-M5	1. D 08	Hose clip	1. G 11	Interior rear view mirror-manual dim	2. N 03	Lock ring	1. G 13
Hexagonal flange nut-front suspension	1. K 15	Hose clip	1. G 12	Interlock solenoid-key removal	1. K 05	Lock ring	1. G 14
Hexagonal head bolt-rear suspension	1. K 34	Hose clip	1. G 13	Intermediate exhaust silencer-RH	1. I 03	Lock tab-bearing-housing	1. J 15
Hexagonal head flanged bolt	1. K 32	Hose clip	1. G 14	Internal mechanism cover-RH-Oatmeal	2. J 06	Lock tab-bearing-housing	1. J 16
Hexagonal head flanged bolt	1. G 03	Hose clip	1. F 17	Internal mechanism cover-RH-Oatmeal	2. J 15	Lock-security-steering wheel	3. H 03
Hexagonal head flanged bolt	1. D 06	Hose clip	1. G 15	Isolator-camshaft cover	1. E 03	Locking nut	1. I 02
Hexagonal head flanged bolt	2. F 05	Hose-hood cylinder-RH	3. E 16	Isolator-camshaft cover	1. E 08	Locking nut	1. L 02
Hexagonal head flanged bolt	2. G 05	Hose-pump to steering rack	1. K 03	Isolator-camshaft cover	1. E 09	Locking nut	1. D 04
Hexagonal head flanged bolt	2. G 06	Housing and sleeve -J-gate	1. J 08	Isolator-lower	1. L 02	Locking nut	1. K 09
Hexagonal head flanged bolt-M8 x 80mm	1. K 04	Housing clip	1. M 09	J-valve	1. O 06	Locking nut	1. K 18
Hexagonal nut-M12	1. K 02	Housing clip	1. M 10	Jack handle-ratchet	3. I 05	Locking nut	3. H 03
Hexagonal nut-brass finish	2. F 03	Hub bearing kit	1. K 18	Jet cover-RH side	1. O 08	Locking wheel nut kit-alloy	3. I 02
Hexagonal nut-brass finish	2. C 17	Hub bearing-inner	1. K 18	Joint pin	1. M 02	Locknut	1. L 03
High mounted stop lamp-internal Warm	2. H 05	Hub bearing-rear-outer	1. K 17	Jump lead	3. I 07	Locknut	1. M 33
Hinge-console lid	2. M 07	Hub carrier-RH-rear axle	1. K 18	Kats 8000 remover -16oz bottle	3. I 09	Locknut	1. L 05
Hinge-storage box	2. O 04	Hub nut	1. K 18	Kats 8075 remover-24oz container	3. I 09	Locknut	1. K 09
Hood cleaner/waterproof kit	3. I 04	Hub-assembly-rear	1. K 17	Key job transmitter-315mhz	2. I 02	Locknut	1. J 14
Hood cover-outer-Stone	3. E 08	Hydraulic control unit-9 valve	1. M 11	Key transponder coil	2. I 02	Lokut nut	2. O 08
Hood cover-outer-Stone	3. E 10	Hydraulic engine mounting	1. C 04	Key transponder module-blank unit	2. I 02	Lokut nut	2. M 11
Hood cover-outer-Stone	3. E 11	Hydraulic hood lift fluid-1 litre	3. I 09	Kickdown switch	1. G 06	Lokut nut	3. H 02
Hood cover-outer-Stone	3. E 12	Idler pulley	1. E 02	Kit-rear-number plate-lamp	2. H 08	Lokut nut	3. E 08
Hood frame seal	3. E 14	Ignition power module	1. F 10	Knee bolster-driver's side-Oatmeal	2. O 04	Lokut nut	3. C 09
Hood latch cylinder	3. E 16	Ignition ring escutcheon	2. E 06	Knee bolster-passenger side-Oatmeal	2. O 03	Lokut nut-M10	1. J 14
Hood latch plate-assembly	3. E 13	Illuminated survivor-assembly-RH-Oatmeal	2. O 05	Knob-front seat-lever-Teal	2. J 07	Lokut nut-rear quarter	2. M 15
Hood latch striker	3. E 09	Illumination control module	2. E 08	Knob-front seat-lever-Teal	2. J 16	Lokut nut-undertray	3. C 03
Hood latch striker	3. E 10	Illumination control switch	2. E 06	Knock sensor	1. F 11	Longitudinal member-RH front	3. G 07
Hood latch striker	3. E 11	Illumination module gasket	1. J 08	Lambwood rug-Flint grey	3. H 14	Loudspeaker bracket-RH	2. G 05
Hood latch striker	3. E 12	In car entertainment harness	2. C 09	Lamp cluster-RH rear-with fog guard	2. H 06	Loudspeaker bracket-RH rear quarter	2. G 06
Hood lift cylinder-RH	3. E 16	In car sensor housing-temperature	1. N 11	Lamp control module-rear	2. H 12	Loudspeaker grille-RH-Oatmeal	2. M 11
Hood lift pump-assembly	3. E 16	In-line connector	1. M 08	Lamp cover-primer painted-external	2. H 05	Loudspeaker-assembly-RH rear	2. G 07
Hood pump bracket	3. E 16	Inclination sensor kit	2. I 02	Latch and pin-assembly	1. J 10	Loudspeaker-tweeter	2. G 06
Hood switch	2. E 10	Inclination sensor kit	3. H 03	Latch fixing plate-RH	3. D 04	Low level sensor-fuel tank	1. G 09
Hood-assembly-Stone-with Nimbus grey	3. E 10	Indicator lamp-blue-low	1. N 10	Left forward harness	2. C 02	Low level sensor-fuel tank	1. G 10
Hood-assembly-Stone-with Nimbus grey	3. E 12	Induction elbow-inlet manifold	1. G 02	Lens-glovebox	2. O 03	Low level sensor-fuel tank	1. G 11
Hood-assembly-Stone-with Oatmeal	3. E 08	Induction elbow-inlet manifold	1. G 03	Lens-glovebox	2. H 09	Low level sensor-fuel tank	1. G 12
Hood-assembly-Stone-with Oatmeal	3. E 11	Induction manifold	1. E 11	Level plug-gearbox-M14	1. J 02	Low level sensor-fuel tank	1. G 13
Horn	2. I 04	Inertia switch-RH	3. F 12	Link lead	1. G 08	Low level sensor-fuel tank	1. G 14
Hose	1. F 03	Infant carrier head support	3. H 07	Link lead	1. G 10	Low pressure hose-reservoir to pump	1. K 03
Hose	1. F 07	Injector O-ring kit-kit-injector to fuel rail	1. G 17	Link lead	1. G 11	Lower engine gasket set	1. E 10
Hose	1. G 15	Injector clamp plate	1. G 17	Link lead	1. G 12	Lower panel-RH rear fender-inner	3. G 06
Hose	1. N 16	Inlet camshaft-RH A-bank	1. E 04	Link lead	1. G 13	Lower wishbone-RH rear	1. K 14
Hose	1. G 18	Inlet pipe kit	1. N 13	Link lead	1. G 14	Luggage box-trunk rack	3. H 06
Hose clamp	1. K 03	Inlet valve	1. E 04	Link lead-block heater to bumper	1. H 07	Luggage retainer-set	3. H 06
Hose clamp	1. N 15	Inlet valve seat insert	1. D 13	Link lead-block heater to bumper	1. F 17	Lumber adjuster-electronic	2. K 09
Hose clamp-27mm	1. N 16	Inner seal-inner	1. K 16	Link lead-block heater to bumper	3. I 04	Magnetic clutch fitting kit	1. N 08
Hose clamp-49mm	1. H 05	Inner wheelcut-RH rear-inner/outer	3. G 12	Link-assembly-RH upper	1. L 03	Main bearing bolt-114mm	1. D 06
Hose clamp-spring type	1. H 06	Insert	3. E 13	Linkage clip	3. E 04	Major instrument pack-unprogrammed-blank	2. E 02
Hose clip	1. H 02	Insert-pocket-RH	2. M 12	Locating collar	1. K 18	Manual override key	3. E 16
Hose clip	1. F 03	Installation kit-compact disc autochanger	3. H 11	Lock barrel-car set	3. D 13	Mechanism cover-LH outer-Teal	2. J 05
Hose clip	1. F 05	Instrument pack casing-assembly-front	2. E 03	Lock barrel-single	1. K 05	Mechanism cover-RH inner-Teal	2. J 14
Hose clip	1. F 07	Instrument	1. G 04	Lock barrel-single	3. E 03	Mechanism cover-RH outer-Teal	2. J 04
Hose clip	1. G 07	Instrument	1. N 15	Lock ring	1. G 09	Mechanism cover-RH outer-Teal	2. J 13
Hose clip	1. G 08	Insulation pad	1. H 02	Lock ring	1. G 10	Mechanism-RH-electrochromatic-memory	3. H 04
Hose clip	1. G 09	Insulation pad-RH	2. N 18	Lock ring	1. G 11	Mechanism-RH-electrochromatic-memory	3. C 16
Hose clip	1. G 10	Interior rear view mirror-electrochromatic	3. H 05	Lock ring	1. G 12	Mechanism-RH-memory	3. C 15



Jaguar XK8 Coupe/Convertible - Canada/USA

C07  
Fiche 1

DESCRIPTIVE INDEX "Metal sealing plug -25mm diameter" TO "Passenger seat harness-non memo

Metal sealing plug -25mm diameter	3. G 02	Mounting rubber	1. G 14	O-ring	1. G 10	Pad-RH top	1. G 14
Metal sealing plug -25mm diameter	3. G 03	Mounting rubber-J-gate	1. J 08	O-ring	1. G 11	Paint clearing bolt	1. L 06
Micro relay-blue	2. D 02	Mounting spacer-camshaft cover	1. E 03	O-ring	1. N 09	Paint clearing screw	1. F 04
Microphone-Catmeal	3. H 08	Mounting-rubber	1. F 08	O-ring	1. G 12	Paint clearing screw	1. F 05
Microphone-Catmeal	3. H 08	Mounting-rubber-cover-engine bay fuel	1. D 03	O-ring	1. G 13	Paint clearing screw	1. K 05
Microswitch-trunk lid open warning	3. F 02	Mudflap kit-front	3. H 17	O-ring	1. G 14	Paint clearing screw	1. F 07
Minor instrument pack	2. E 03	Multi loudspeaker	2. G 05	O-ring	1. D 14	Paint clearing screw	1. N 12
Mirror backcover -RH-primer painted	3. C 17	Negative battery cable	2. F 02	O-ring	1. N 14	Paint clearing screw	1. F 18
Mirror case bezel -RH	3. H 04	Non return valve	1. O 02	O-ring	1. D 17	Paint clearing screw	2. M 03
Mirror case bezel -RH	3. C 15	Non return valve	1. G 18	O-ring-gearbox	1. J 04	Paint clearing screw	3. D 08
Mirror case bezel -RH	3. C 16	Number plate plinth	3. C 04	O-ring-gearbox-filter to control valve	1. J 06	Paint clearing screw	3. C 09
Mirror glass -flat	3. C 17	Number plate plinth-front-chrome	3. H 18	O-ring-gearbox-rear mounting	1. J 12	Paint clearing screw	3. E 13
Mirror kit-powerfold	3. H 04	Number plate surround-kit-rear -bright finish	3. H 18	O-ring-power steering	1. K 03	Paint clearing screw-M6	2. H 02
Mirror stem cover	2. N 03	Nut	1. M 02	O-ring-water pump-55mm	1. H 08	Paint clearing screw-M6	2. M 02
Module carrier -variable valve timing-HH A	1. D 17	Nut	1. K 10	Oil cooler mounting bracket	1. K 03	Paint clearing screw-M6	2. H 03
Module mounting bracket	1. F 09	Nut	1. K 11	Oil cooler output pipe-male-M18	1. J 05	Paint clearing screw-M6 x 20mm	3. C 04
Module relay	1. N 12	Nut	1. K 12	Oil cooler pipe bracket	1. J 05	Paint clearing screw-M6 x 20mm	3. D 04
Motor-assembly-memory	3. H 04	Nut	3. H 04	Oil cooler return pipe-male-M18	1. J 05	Paint clearing screw-M6 x 20mm	3. H 18
Motor-assembly-memory	3. C 15	Nut	3. C 15	Oil filter cap-red	1. E 03	Paint clearing screw-M8	3. G 18
Motor-assembly-memory	3. C 16	Nut	3. C 16	Oil filter	1. D 09	Paint clearing screw-air intake	1. N 07
Moulded air hose-inlet manifold-plexum	1. G 03	Nut and washer	1. L 02	Oil filter	3. I 09	Paint clearing screw-air intake	3. H 05
Mounting	1. D 05	Nut and washer	3. E 18	Oil filter	3. I 10	Paint clearing screw-flanged head	2. N 18
Mounting block-warning triangle	3. H 02	Nut and washer -M8	2. L 03	Oil filter adaptor	1. D 09	Paint clearing setscrew	1. L 08
Mounting bolt-M8 x 35mm	1. D 17	Nut and washer -M8	2. H 02	Oil pickup pipe	1. D 07	Paint clearing setscrew	1. F 08
Mounting bracket	1. F 03	Nut and washer -M8	2. H 03	Oil pressure switch	1. D 06	Paint clearing setscrew	1. F 16
Mounting bracket	1. F 09	Nut and washer -assembly	1. N 03	Oil pump gasket-oil pump to cylinder block	1. D 07	Paint clearing setscrew-torx head	1. H 04
Mounting bracket	1. N 15	Nut and washer -assembly	2. C 06	Oil pump gasket-oil pump to cylinder block	1. E 10	Paint clearing setscrew-torx head	1. G 08
Mounting bracket bolt -flanged head-M8 x	1. E 11	Nut and washer -assembly	2. G 07	Oil pump-kit	1. D 07	Paint clearing setscrew-torx head	1. N 15
Mounting bracket insulation	1. G 07	Nut and washer -radiator to fan cowl	1. H 03	Oil relief valve plug-gearbox	1. J 02	Paint clearing setscrew-torx head	3. D 08
Mounting bracket insulation	2. C 05	Nut cover	2. H 05	Oil seal-oil suction pipe	1. D 07	Paint touch-up pencil-Amycath	3. I 08
Mounting bracket insulation	2. C 06	Nut-M4	2. O 04	Oil seal-oil suction pipe	1. E 10	Pan head screw	1. K 18
Mounting bracket insulation	2. C 10	Nut-M5	3. E 09	Oil sump body	1. D 08	Pan head screw	3. H 09
Mounting bracket insulation	2. C 13	Nut-M6	1. F 10	Oil sump drain plug-gearbox	1. J 06	Pan head screw	3. H 11
Mounting bracket-RH-front crossmember	3. G 07	Nut-M6	1. J 11	Oil sump gasket-gearbox	1. J 06	Pan head screw-M10 x 40mm	1. D 05
Mounting bracket-header tank-rear	1. H 02	Nut-M6	1. F 16	Oil sump pan	1. D 08	Pan head screw M10 x 40mm	2. L 06
Mounting bracket-rear suspension	1. L 03	Nut-M6	2. C 02	Oil sump pan-gearbox	1. J 06	Pan head screw-M4	2. G 04
Mounting bracket-roof console	2. M 04	Nut-M6	2. C 05	On plug coil cover-cylinder head	1. E 03	Pan head torx screw	2. F 05
Mounting bracket-steering rack and pinion	1. K 02	Nut-M6	2. C 08	On plug ignition coil	1. F 10	Pan head torx screw	3. E 18
Mounting bush-lower	1. H 04	Nut-M6	2. C 13	Operating lever-J-gate	1. J 10	Pan head torx screw-M6	3. E 04
Mounting bush-rear mounting	1. L 02	Nut-M6	2. C 14	Outer pivot pin	1. K 18	Pan head torx screw-M6 x 20mm	1. F 09
Mounting cable tie	1. J 11	Nut-fuel filler -latch to actuator	3. E 05	Outer seal	1. K 17	Pan head torx screw-M6 x 20mm	1. F 11
Mounting cable tie	2. C 09	Nylon nut	1. J 08	Outlet pipe	1. H 06	Panel cover-rear -trunk	2. N 19
Mounting cable tie	2. C 17	Nylon nut	1. F 12	Outlet pipe kit	1. N 13	Panel fixing insert-no.10-self tapping screw	2. M 11
Mounting cradle	1. K 18	Nylon nut	2. I 02	Output shaft oil seal-gearbox-rear mounting	1. J 12	Panel grommet -short	3. C 17
Mounting cradle-mobile telephone	3. H 08	Nylon nut	2. F 03	Over axle insulation	1. I 04	Parcel sheet blanking cover-assembly-Sable	2. C 08
Mounting cradle-mobile telephone	3. H 09	Nylon nut	2. H 05	Overflow pipe	1. H 02	Parcel shelf speaker cover-acoustic cloth	2. O 08
Mounting frame-passenger airbag	2. L 03	Nylon nut	2. C 08	Oxygen sensor	1. F 13	Parcel shelf-assembly-Sable	2. O 08
Mounting isolator -oil cooler pipe	1. K 03	Nylon bush	1. M 10	Packer-3.4mm/2.9mm	1. L 02	Parkbrake adjuster-assembly	1. M 10
Mounting plate	1. M 08	Nylon washer	1. J 08	Packer-front lower	1. K 11	Parking brake lever	1. M 10
Mounting plate-gearshift	1. J 09	O-ring	1. J 05	Packing and locator -spring pan	1. K 11	Parking brake pin	1. M 10
Mounting rubber	1. G 09	O-ring	1. G 07	Pad-RH top	1. G 09	Parking brake repair kit	1. M 10
Mounting rubber	1. G 10	O-ring	1. D 08	Pad-RH top	1. G 10	Passenger airbag label -warning-RH	2. N 07
Mounting rubber	1. G 11	O-ring	1. E 08	Pad-RH top	1. G 11	Passenger airbag module	2. L 03
Mounting rubber	1. G 12	O-ring	1. E 09	Pad-RH top	1. G 12	Passenger door switchpack	2. K 11
Mounting rubber	1. G 13	O-ring	1. G 09	Pad-RH top	1. G 13	Passenger seat harness-non memory	2. C 11

Pedal housing	1. M 02	Plastic push on nut	2. C 08	Push in fastener-Black	2. N 17	Rip and roll motor	2. K 10
Pendulum bush-bottom	1. L 05	Plastic push on nut	2. C 13	Push in fir tree clip	2. N 02	Rivet	1. K 18
Pendulum bush-top	1. L 06	Plastic push on nut	3. C 02	Push on clip	1. M 08	Rivet arch	3. C 09
Pendulum-assembly	1. L 08	Plastic rivet	3. C 03	Push on fix	2. J 08	Rivet screw-assembly	3. C 02
Pigtail spring seat	1. L 02	Plastic rivet	3. H 18	Push on fix	2. C 03	Road spring kit	1. L 02
Pin-pre tensioner arming	2. L 02	Plastic screw-Sable	2. O 03	Push on fix	2. J 17	Road spring kit-front	1. K 11
Pinch bolt-8mm X 55mm	1. K 06	Plastic tube	3. E 15	Push-on nut	1. F 04	Road wheel badge-Jaguar-all green	1. L 07
Pinion head bearing	1. J 15	Plate-bys information	2. M 08	Push-on nut	1. F 16	Road wheel-BJ x 18"-cast -front	3. D 10
Pinion head bearing	1. J 15	Plenum cover-assembly	3. C 09	Quarter casing-RH rear-Oatmeal	2. M 09	Rod-adjustable-door glass	3. D 02
Pinion housing replacement kit-steering rack	1. K 02	Plug	1. M 04	Quarter casing-RH-Oatmeal	2. M 13	Rod-adjustable-door glass	3. D 11
Pinion locknut	1. J 15	Plug	2. M 03	Quarter glass encapsulation -RH	3. C 12	Roku rivet	2. C 02
Pinion locknut	1. J 16	Pocket latch	2. L 03	Quarter glass finisher-RH	3. C 12	Roll over valve	1. G 09
Pinion oil seal-differential	1. J 15	Pollen filter kit	1. N 07	Quarter glass seal -RH rear	3. E 18	Roll over valve	1. G 10
Pinion oil seal-differential	1. J 16	Pollen filter kit	3. H 05	Quarter panel armrest-LH-ambia-Oatmeal	2. M 10	Roll over valve	1. G 11
Pinion tail bearing	1. J 15	Pop rivet	3. C 09	Quarter panel armrest-RH-ambia-Oatmeal	2. M 09	Roll over valve	1. G 12
Pinion tail bearing	1. J 16	Pop up trunk plunger	3. D 06	Rack and pinion bellows	1. K 02	Roll over valve	1. G 13
Pipe	1. N 16	Positive battery cable	2. F 02	Rack mounting bush	1. K 02	Roll over valve	1. G 14
Pipe clip	1. M 03	Positive battery extension cable	2. C 17	Radiator crossmember extension-RH lower	3. G 07	Roll over valve seal	1. G 09
Pipe clip	1. O 03	Power cable -LH-engine bay	2. C 16	Radiator mounting panel-top	1. H 04	Roll over valve seal	1. G 10
Pipe clip	1. N 14	Power steering oil cooler-assembly	1. K 03	Radiator seal-RH	1. H 04	Roll over valve seal	1. G 11
Pipe clip	2. E 09	Power steering pump	1. K 04	Radiator top hose	1. H 05	Roll over valve seal	1. G 12
Pipe clip	2. C 17	Power steering reservoir/cap	1. K 03	Radiator-assembly	1. H 04	Roll over valve seal	1. G 13
Pipe clip	3. E 16	Power transfer	1. N 03	Radio earth strap	2. C 14	Roll over valve seal	1. G 14
Pipe clip-oil cooler pipe	1. J 05	Powerwash jet -assembly-RH headlamp	1. O 06	Radio/cassette player	2. G 02	Roll console-without glass break sensor	2. M 04
Pipe clip-tire	2. C 16	Pressure cap-1.0 bar	1. H 02	Ratchet handle extension	3. I 05	Roof container carpet-Sable	2. N 14
Pipe grommet	1. O 03	Pressure control valve	1. F 03	Rear longitudinal-RH rear	3. G 06	Roof harness	2. C 05
Pipe grommet	2. C 13	Pressure control valve	1. F 07	Rear panel-upper	3. G 13	Roof panel	3. G 02
Pipe isolator	1. N 14	Pressure regulator-gearbox	1. J 04	Rearward harness	2. C 03	Rotary switch-gearbox	1. J 07
Pipe isolator mounting	1. K 03	Primary timing chain	1. D 15	Receiver drier bottle	1. N 09	Rubber buffer	1. M 07
Platen ring-set	1. D 12	Propshaft	1. J 14	Receiver drier bottle bracket	1. N 09	Rubber bush-gearshift interlock	1. J 10
Piston-assembly-grade 1	1. D 12	Protection cap	1. K 12	Recessed pan head screw	3. E 13	Rubber damper	3. E 16
Pivot bolt-timing chain tensioner	1. D 15	Protection cap	1. G 18	Rechargeable torch	3. H 02	Rubber elbow	1. O 02
Pivot bracket-assembly	1. J 06	Protection cover-front seat	2. K 03	Recline mechanism motor-front seat	2. K 09	Rubber grommet	1. M 03
Pivot bush	1. M 02	Protective boot-terminal post	2. F 03	Reinforcement plate-upper	3. G 16	Rubber mats-front	3. I 04
Pivot bush	1. J 06	Protective boot-terminal post	2. C 05	Reinforcement-turret to sidemember-RH	3. G 08	Rubber plug	3. E 15
Pivot pin	1. J 06	Protective boot-terminal post	2. C 17	Reinforcing bracket -RH front-bracket to	3. G 07	Running loss valve	1. G 15
Pivot pin shim -front suspension-thick	1. K 14	Protective sleeve	1. M 06	Relay bracket	1. F 16	Safety Cap	1. M 02
Pivot pin sleeve-outer	1. K 16	Fuddle lamp-RH front door	2. H 09	Relay bracket	2. C 02	Seatboard holder	3. I 03
Pivot pin-timing chain tensioner	1. D 15	Pump mounting bracket-hood	3. H 11	Relay cover	2. D 02	Screenwash jet	1. O 02
Plain nut-M6	1. J 11	Pump mounting bracket-pump to block	1. K 04	Relay lever	1. M 08	Screenwash pump	1. O 03
Plain washer	1. L 04	Purge control valve	1. F 03	Relay-brown	1. F 10	Screenwash pump grommet	1. O 03
Plain washer	1. L 05	Purge control valve	1. F 05	Releaseable tie strap-harness to bonnet	2. C 10	Screenwash reservoir-assembly	1. O 03
Plain washer	1. K 10	Purge control valve	1. F 06	Remote control escutcheon-RH-Sable	3. D 14	Screenwash tube	1. O 03
Plain washer	1. N 15	Purge control valve	1. F 07	Remote control handle-RH-Sable	3. D 14	Screw	1. I 03
Plain washer	2. K 11	Purge hose	1. F 03	Reservoir	1. M 06	Screw	2. J 08
Plain washer	3. G 15	Purge hose	1. F 06	Reservoir cap	1. M 06	Screw	2. C 03
Plain washer-0.25" id	1. M 02	Purge hose	1. G 07	Reservoir filler neck-assembly	1. O 03	Screw	2. O 04
Plain washer-0.25" id	1. J 08	Purge hose-fuel tank	1. G 09	Reservoir kit	3. E 16	Screw	2. E 06
Plain washer-0.375" diameter	1. M 00	Purge hose-fuel tank	1. G 10	Reservoir mounting bracket	1. K 03	Screw	2. J 17
Plain washer-M6	1. N 03	Purge hose-fuel tank	1. G 11	Reservoir seal	1. H 02	Screw	3. H 03
Plain washer-M6	1. O 04	Purge pipe	1. F 03	Retaining bracket-1	1. F 09	Screw	3. H 04
Plain washer-M6	2. K 09	Purge pipe	1. F 04	Retaining clip	1. G 17	Screw	3. H 06
Plastic clip	1. F 17	Purge pipe	1. F 05	Retaining clip-gearbox	1. J 04	Screw	3. C 09
Plastic push on nut	1. N 06	Purge pipe	1. F 06	Retaining clip-speaker bezel	2. N 07	Screw	3. C 15
Plastic push on nut	2. C 03	Purge pipe	1. F 07	Retension washer-M6	2. F 06	Screw	3. C 16

Screw	3. E 15	Sealing ring	1. G 11	Self tapping screw	2. O 05	Sill panel reinforcement	3. G 09
Screw	3. E 17	Sealing ring	1. G 12	Self tapping screw	2. M 11	Sill panel reinforcement	3. G 10
Screw cover-front seat-Oatmeal	2. J 06	Sealing ring	1. G 13	Self tapping screw	3. E 08	Sill panel reinforcement-RH outer	3. G 06
Screw cover-front seat-Oatmeal	2. J 15	Sealing ring	1. G 14	Self tapping screw	3. H 08	Sill panel reinforcement-lower	3. G 11
Screw plug-M30 X 1.5	1. D 06	Sealing ring	1. D 17	Self tapping screw	3. E 13	Sill panel-RH inner	3. G 08
Screw plug-gearbox	1. J 02	Sealing ring-differential	1. J 15	Self tapping screw	3. H 18	Sill tube reinforcement	3. G 11
Screw rivet	3. C 02	Sealing ring differential	1. J 18	Self tapping screw-M8 x 35mm	2. M 15	Single cone loudspeaker-2.5" diameter-front	2. G 06
Screw rivet-cover-underty	3. C 04	Sealing ring-power steering	1. K 03	Self tapping screw/washer	3. C 03	Single cone loudspeaker-2.5" diameter-front	2. G 07
Screw rivet-cover-underty	3. H 18	Sealing washer	1. D 06	Self tapping screw/washer	3. C 04	Single pipe clip- flush	1. M 04
Screw rivet-plastic-pan head	2. N 16	Sealing washer	1. H 07	Sensor mounting bracket	1. F 11	Single pipe clip- flush	1. M 05
Screw-M12	3. G 04	Sealing washer	1. F 11	Sensor mounting bracket	1. N 11	Ski holder-trunk rack	3. H 08
Screw-M6 x 14mm	1. N 16	Sealing washer	3. I 04	Sensor rotor-front axle	1. K 13	Slide clamp-door glass-front	3. D 10
Screw-M8 x 30mm	1. G 02	Sealing washer-sump	1. D 08	Sensor rotor-rear	1. K 18	Slide clamp-door glass-front	3. D 11
Screw-M8 x 30mm	1. G 03	Sealing washer-sump	3. I 09	Service kit-10,000 mile/16,000 km-20,000	3. I 09	Slider bar	3. D 10
Screw-self tapping	2. E 02	Sealing washer-sump	3. I 09	Service kit-50,000 mile-unleaded titel	3. I 10	Slider bar	3. D 11
Screw-self tapping	2. K 12	Seat belt webbing retainer-Oatmeal	2. M 12	Service protection kit-paper floor mats	3. I 09	Slider bar-J-gate	1. J 08
Screw-sump	1. D 08	Seat belt webbing retainer-Oatmeal	2. M 15	Service protection kit-paper floor mats	3. I 10	Sliding block-assembly	1. J 08
Screw/washer	2. K 04	Seat control module-blank unit	2. E 14	Servo motor	1. N 02	Snap-in valve	1. L 08
Screw/washer	2. K 06	Seat control switch-pack-RH-Warm charcoal	2. K 12	Servo motor-RH blower motor	1. N 03	Snap-in valve	1. L 09
Screw/washer	2. K 08	Seat insulation-rear	2. O 02	Servo motor-defrost vent	1. N 05	Snow chain kit-17" wheel	3. H 05
Screw/washer	2. K 02	Seat slide cover-RH-Sable	2. K 10	Setscrew	1. M 02	Socket head bolt-sprocket to camshaft	1. D 18
Screw/washer	3. E 16	Seat slide motor-with potentiometer	2. K 10	Setscrew	1. F 03	Socket head screw	3. D 10
Screw/washer	3. G 17	Seat slide-RH	2. K 10	Setscrew	1. L 03	Socket head screw	3. D 11
Screw/washer-M5	2. N 02	Seat switch-memory	2. E 11	Setscrew	1. L 04	Solar sensor	1. N 11
Screw/washer-M6	1. I 04	Seatbelt adjust knob-Oatmeal	2. L 05	Setscrew	1. N 03	Solenoid shift valve-gearbox	1. J 04
Screw/washer-M6	2. G 05	Seatbelt buckle-front-driver's side-Oatmeal	2. L 04	Setscrew	1. G 04	Solenoid vacuum valve-brown	1. G 18
Screw/washer-M6	2. C 15	Seatbelt cap-Oatmeal	2. L 05	Setscrew	1. G 05	Solenoid valve-variable valve timing	1. E 03
Screw/washer-assembly	1. D 03	Seatbelt escutcheon-RH rear-Oatmeal	2. L 08	Setscrew	1. G 07	Solenoid-gearshift interlock	1. J 10
Screw/washer-assembly	1. K 08	Seatbelt escutcheon-front-Oatmeal	2. M 10	Setscrew	1. M 11	Spacer	1. N 09
Screw/washer-assembly	2. G 37	Seatbelt escutcheon-front-Oatmeal	2. M 15	Setscrew	2. D 02	Spacer	1. G 18
Screw/washer-assembly-mirror to door	3. C 17	Seatbelt escutcheon-rear-Oatmeal	2. M 11	Setscrew	3. D 15	Spacer	3. E 09
Screw/washer-stainless steel	3. C 02	Seatbelt height adjuster-assembly	2. L 04	Setscrew	3. G 15	Spacer	3. E 10
Seal	1. K 03	Seatbelt slider bar-RH	2. L 04	Setscrew-M5	2. L 03	Spacer	3. E 11
Seal	1. G 11	Seatbelt slider bezel-Teal	2. L 05	Setscrew-M8	3. E 06	Spacer	3. E 12
Seal	1. K 18	Seatbelt slider shield-Teal	2. L 05	Setscrew-M8 x 18mm	3. G 02	Spacer	3. E 16
Seal carrier-RH B-post	3. E 07	Seatbelt assembly-RH front-automatic	2. L 04	Setscrew-M8 x 18mm	3. G 03	Spacer kit-differential	1. J 15
Seal carrier-outer-RH rear quarter	3. E 18	Seatbelt assembly-rear-automatic locking	2. I 07	Setcrescrew-drive plate to converter	1. E 13	Spacer kit-differential	1. J 16
Seal retainer-RH A-post	3. E 08	Seatbelt assembly-rear-automatic locking	2. L 08	Setscrew-torx head-M8 x 20mm	2. K 09	Spacer tube	1. L 02
Seal retainer-RH front	3. E 14	Secondary timing chain	1. D 18	Shaft and stud-assembly	1. J 15	Spacer-inner-washbone	1. L 05
Seal-boost-to master cylinder	1. M 06	Securing pin	1. M 08	Shaft and stud-assembly	1. J 16	Spacer-manifold to cylinder head	1. E 12
Seal-inlet manifold	1. E 08	Security box	3. H 03	Shaft seal-gearbox	1. J 12	Spacer-sprocket to camshaft	1. D 10
Seal-inlet manifold	1. E 08	Security kit-alphadot	3. H 03	Shakeproof washer	2. G 04	Spacer-strut to beam	3. C 03
Seal-inlet manifold	1. E 11	Security label-Alarm	3. D 10	Shakeproof washer	3. H 11	Spacer-strut to beam	3. C 05
Seal-lower	1. H 04	Security label-Alarm	3. D 11	Shakeproof washer-M6	2. C 03	Spacer-strut to beam	3. H 18
Seal-thermostat housing to cylinder head	1. H 06	Security souirer-passive	2. I 02	Shakeproof washer-M6	2. G 03	Spacing boss-outer	1. L 03
Seal-valance to intake tube	1. G 04	Security/locking module-315mhz-blank unit	2. E 15	Shield bracket	1. K 13	Spare wheel clamp screw-standard wheel	1. L 10
Sealant-50ml-RTV-syringe	1. D 03	Security/valve switch	2. I 03	Shim kit-pinion tail-bearing	1. J 15	Spark plug	1. F 10
Sealant-50ml-RTV-syringe	1. E 10	Selector cover-J-gate	1. J 08	Shim kit-pinion tail-bearing	1. J 16	Spark plug	3. I 10
Sealing cap	1. G 17	Self locking nut	1. L 08	Short engine	1. D 02	Spark plug boss seal-camshaft cover	1. E 03
Sealing kit	1. M 10	Self locking nut	1. M 08	Short thread hexagon bolt	3. C 03	Spark plug boss seal-camshaft cover	1. E 08
Sealing plate	1. H 04	Self locking nut	1. J 10	Short thread hexagon bolt	3. C 05	Spark plug boss seal-camshaft cover	1. E 09
Sealing ring	1. E 08	Self locking nut	2. F 05	Short thread hexagon bolt	3. H 18	Speaker grille-RH-facia-Sable	2. N 06
Sealing ring	1. E 09	Self locking nut	2. F 08	Side marker/reflex lamp-front-amber lens	2. H 04	Special bolt-caliper to vertical link	1. K 13
Sealing ring	1. G 09	Self tapping screw	1. N 04	Sill closing panel-RH front-outer	3. G 08	Special harness clip	2. C 13
Sealing ring	1. G 10	Self tapping screw	1. J 10	Sill closing panel-RH front-outer	3. G 11	Special harness clip	3. E 18

Jaguar XK8 Coupe/Convertible - Canada/USA

C10  
Fiche 1

DESCRIPTIVE INDEX "Special rivet" TO "Torx head screw"

Special rivet.....	3. H 18	Star washer-M8.....	2. K 09	Support bracket.....	1. E 11	Thread forming screw.....	2. G 07
Special spring clip-4mm.....	3. C 13	Star washer-M8.....	3. C 07	Support plate.....	1. L 03	Thread forming screw.....	2. H 09
Special spring clip-5mm.....	3. C 10	Starter cable.....	2. F 08	Support plate-cylinder head.....	1. E 11	Thread forming screw.....	3. D 08
Special spring clip-5mm.....	3. C 11	Starter motor.....	2. F 03	Suppression module bracket.....	2. F 06	Threaded insert.....	1. M 03
Special stud-torx head-M8.....	1. I 02	Steady bracket-RH.....	2. M 08	Suspension bumpstop-rear.....	1. L 06	Threaded insert.....	3. H 18
Special washer.....	3. G 15	Steering column cowl finisher-rubber.....	2. E 06	Suspension damper-front.....	1. K 11	Throttle box-electronic.....	1. G 02
Speed sensor-gearbox.....	1. J 04	Steering column cowl-upper-Antelope.....	2. E 05	Suspension damper-rear.....	1. L 02	Throttle body-electronic.....	1. G 03
Spherical joint.....	1. L 02	Steering column ignition switch.....	1. K 05	Suspension subframe-rear suspension.....	1. L 03	Throttle elbow hose-3.3mm diameter.....	1. G 03
Spigot bush shim.....	1. L 04	Steering column mounting bracket.....	1. K 05	Switch.....	2. H 09	Throttle linkage bracket.....	1. G 02
Spindle seal.....	1. O 04	Steering column reach cable repair kit.....	1. K 05	Switch mounting carrier.....	2. E 07	Throttle linkage bracket.....	1. G 03
Spiral nut.....	2. K 04	Steering column reach motor kit.....	1. K 05	Switch mounting stud.....	1. G 06	Tie bracket-front.....	1. I 02
Spiral nut.....	2. K 06	Steering column tilt motor kit.....	1. K 05	Switch-J-gate.....	1. J 08	Tie strap.....	1. F 03
Spiral nut.....	2. K 08	Steering column-lower.....	1. K 08	Switchpack finisher-burr walnut-veneer-RH.....	2. N 08	Tie strap.....	1. K 03
Spiral nut.....	2. K 02	Steering column-manual adjust.....	1. K 05	Swivel clip.....	1. G 02	Tie strap.....	1. F 07
Splash shield backplate -RH.....	1. M 10	Steering control module-programmed.....	1. L 11	Swivel clip.....	1. H 05	Tie strap.....	1. M 08
Split collet-damper to crankshaft.....	1. D 10	Steering pump pulley.....	1. K 04	Swivel clip.....	1. G 18	Tie strap.....	1. J 11
Split pin-accelerator linkage.....	1. G 06	Steering rack and pinion-new.....	1. K 02	Swivel pipe clip.....	1. O 03	Tie strap.....	3. H 08
Splitter vane-chrome.....	3. C 03	Steering wheel-grey wood-Warm charcoal.....	1. K 07	Swivel pipe clip.....	2. F 03	Tie strap.....	3. H 09
Spring.....	1. G 08	Steering wheel-grey wood-Warm charcoal.....	3. H 16	Swivel pipe clip-double.....	1. M 03	Tie strap-15.75".....	2. G 03
Spring assistor.....	1. K 11	Steering wheel-leather-Warm charcoal.....	1. K 08	Swivel pipe clip-power steering-high.....	1. K 03	Tie strap-15.75".....	2. C 09
Spring clip.....	2. J 06	Stepped hose.....	1. F 03	T-piece.....	1. F 03	Tie strap-4".....	1. N 15
Spring clip.....	2. N 05	Stepped washer.....	1. L 06	T-piece.....	1. F 07	Tie strap-7.75" long.....	1. H 07
Spring clip.....	2. N 08	Stoneguard-gearbox-torque converter.....	1. J 03	T-piece.....	1. G 17	Tie strap-7.75" long.....	1. F 16
Spring clip.....	2. J 17	Storage bag.....	3. E 15	T-piece.....	1. G 18	Tie strap-7.75" long.....	2. C 02
Spring clip-cover.....	2. K 10	Storage box -Oatmeal.....	2. O 04	T-piece tube.....	3. E 17	Tie strap-7.75" long.....	2. C 04
Spring clip-heater.....	1. N 15	Storage cover-hood-Teal.....	3. E 15	Tail lamp mounting panel-RH rear wing.....	3. G 09	Tie strap-7.75" long.....	2. C 05
Spring clip-rear quarter glass-finisher fitting.....	3. C 12	Storage tray.....	3. I 05	Tail lamp mounting panel-RH rear wing.....	3. G 10	Tie strap-7.75" long.....	2. C 08
Spring isolator-upper.....	1. L 02	Strap-pull down-Warm charcoal.....	2. N 17	Tailored carpet-Sable.....	3. H 15	Tie strap-7.75" long.....	2. C 12
Spring nut-rear suspension.....	1. L 05	Striker.....	3. E 04	Taper roller bearing.....	1. K 18	Tie strap-7.75" long.....	2. C 13
Spring packer-road spring.....	1. K 11	Striker-driver's side-knee boltzter.....	2. O 04	Tappet.....	1. E 04	Tie strap-7.75" long.....	2. C 16
Spring pan-front lower.....	1. K 11	Stripped engine-new.....	1. D 02	Tappet adjustment shim-2.18mm.....	1. E 05	Tie strap-7.75" long.....	3. I 04
Spring pan-upper.....	1. L 02	Strut-rod.....	3. G 15	Tappet adjustment shim-2.18mm.....	1. E 06	Tie strap-non release.....	1. F 13
Spring pin-front suspension.....	1. K 13	Stud.....	1. M 02	Tappet adjustment shim-2.66mm.....	1. E 07	Tie strap-non release.....	1. N 14
Spring pin-hood frame.....	3. E 17	Stud.....	1. F 14	Taprite screw.....	1. J 09	Tie stud-rear.....	1. J 15
Spring/damper mounting-front suspension.....	1. K 11	Stud.....	1. J 15	Telephone harness.....	3. H 09	Tie stud-rear.....	1. J 16
Spring/strut mounting-assembly.....	1. L 02	Stud.....	1. J 16	Telephone harness-car telephone.....	3. H 08	Timing cover.....	1. D 14
Squab backcover-LH front seat-Teal.....	2. J 04	Stud.....	2. N 19	Telephone installation kit.....	3. H 08	Timing cover dowel-cover to block.....	1. D 14
Squab backcover-RH front seat-Teal.....	2. J 03	Stud.....	2. N 13	Telephone installation kit.....	3. H 09	Timing cover seal-inner.....	1. E 08
Squab backcover-RH front seat-Teal.....	2. J 12	Stud retainer-fir tree.....	3. E 13	Telephone switch.....	3. H 08	Timing cover seal-inner.....	1. E 09
Squab cover-front seat-ambia/leather-Teal.....	2. J 03	Stuffer pin-fuel tank.....	1. G 09	Telephone switch.....	3. H 09	Timing cover seal-inner.....	1. D 14
Squab cover-front seat-sports cloth-Cream.....	2. J 11	Stuffer pin-fuel tank.....	1. G 10	Temperature switch-differential-facia centre.....	2. N 04	Toeboard insulation.....	2. O 02
Squab cover-rear seat-ambia/leather-Teal.....	2. K 03	Stuffer pin-fuel tank.....	1. G 11	Tension spring.....	1. J 08	Tonneau panel-RH rear tonneau.....	3. G 09
Squab cover-rear seat-ambia/leather-Teal.....	2. J 18	Stuffer pin-fuel tank.....	1. G 12	Tension spring.....	1. M 10	Tonneau panel-RH rear tonneau.....	3. G 10
Squab cover-rear seat-sports cloth-Cream.....	2. K 05	Stuffer pin-fuel tank.....	1. G 13	Terminal boot.....	2. F 03	Tool kit-leather casing.....	3. I 06
Squab cover-rear seat-sports cloth-Cream.....	2. K 07	Stuffer pin-fuel tank.....	1. G 14	Terminal boot.....	2. C 17	Toolcase tray-assembly.....	3. I 05
Squab frame-RH front seat.....	2. K 08	Styled fog lamp-RH front.....	2. H 07	Terminal post-assembly.....	2. C 17	Torque converter-new.....	1. J 03
Squab heater element.....	2. K 13	Sub woofer loudspeaker-8" diameter.....	2. G 08	Terminal post cover-positive.....	2. F 02	Torx bolt-M12 x 85mm.....	1. K 16
Squab pad-front seat.....	2. J 03	Sub-frame bush.....	1. L 03	Thermostat cover.....	1. H 06	Torx flange head screw.....	1. K 16
Squab pad-front seat.....	2. J 11	Sub-frame bush-front suspension.....	1. K 16	Thermostat housing.....	1. H 06	Torx flange head screw-M6 x 14mm.....	3. D 10
Squab-rear seat-ambia/leather-Teal.....	2. K 03	Sump filter-gearbox.....	1. J 06	Thermostat housing cap.....	1. H 06	Torx flange head screw-M6 x 14mm.....	3. D 11
Squab-rear seat-ambia/leather-Teal.....	2. J 18	Sump pan gasket.....	1. D 08	Thermostat housing cover.....	1. H 06	Torx flange head screw-paint clearing.....	2. N 07
Squab-rear seat-sports cloth-Cream.....	2. K 05	Sump pan gasket.....	1. E 10	Thermostat seal.....	1. H 06	Torx flange head screw-paint clearing-M8 X.....	2. K 10
Squab-rear seat-sports cloth-Cream.....	2. K 07	Survivor support clip-Nimbus grey.....	2. O 05	Thermostat-engine.....	1. H 06	Torx head screw.....	1. D 04
Square head bolt.....	1. H 04	Supplementary battery label.....	2. F 02	Thread forming screw.....	1. N 10	Torx head screw.....	1. K 15
Square head bolt.....	1. N 09	Support bracket.....	1. M 03	Thread forming screw.....	2. G 06	Torx head screw.....	2. E 08

**Jaguar XK8 Coupe/Convertible - Canada/USA**

**C11**  
**Fiche 1**

**DESCRIPTIVE INDEX "Torx head screw" TO "Worm drive hose clip-steel"**

Torx head screw.....	2. E 07	Trunk rack.....	3. H 08	Warning label.....	1. H 03	Water valve heatshield.....	1. N 15
Torx head screw-M6.....	1. F 16	Trunk reinforcement plate.....	3. G 10	Warning light.....	3. H 02	Wave washer.....	1. J 10
Torx head screw-M6.....	2. H 02	Trunk side carpet-LH side-Flint grey.....	2. N 15	Warning triangle.....	3. H 02	Wedge packer.....	1. K 11
Torx head screw-M6.....	2. H 03	Tube connector.....	1. O 02	Warning triangle kit.....	3. H 02	Wheel bearing-front axle.....	1. K 13
Torx head screw-M3.....	3. D 08	Tube connector.....	1. O 03	Wash/wipe switch.....	2. E 07	Wheel brace.....	3. I 05
Torx head screw-M6 x 16mm.....	2. K 10	Tube connector -carbon canister.....	1. F 04	Washer.....	1. L 02	Wheel chock.....	3. I 05
Torx pan head machine screw.....	1. M 09	Tubular clip.....	3. C 17	Washer.....	1. L 03	Wheel hub earth lead.....	1. G 09
Torx pan head machine screw.....	1. K 13	Tunnel insulation.....	2. O 02	Washer.....	1. D 05	Wheel hub earth lead.....	1. G 10
Torx pan head machine screw.....	1. G 16	Turn stud-Sable.....	2. N 10	Washer.....	1. D 08	Wheel hub earth lead.....	1. G 11
Torx pan head machine screw-M12 x 20mm.....	1. K 16	Turn stud-Sable.....	2. N 13	Washer.....	1. M 07	Wheel hub earth lead.....	1. G 13
Torx pan head machine screw-M8.....	2. C 13	Twin seatbelt buckle -rear -Oatmeal.....	2. L 07	Washer.....	1. G 09	Wheel hub earth lead.....	1. G 14
Torx pan head machine screw-pan head.....	1. D 04	Twin seatbelt buckle -rear -Oatmeal.....	2. L 08	Washer.....	1. G 10	Wheel hub earth lead.....	2. C 14
Torx screw.....	1. M 11	U-type spring nut.....	2. O 05	Washer.....	1. N 09	Wheel hub-front.....	1. K 13
Torx screw.....	3. D 04	Umbrella strap kit-trunk.....	3. H 06	Washer.....	1. L 10	Wheel speed sensor.....	2. E 04
Torx screw-M10 x 25mm.....	1. D 05	Under floor insulation-RH front.....	1. I 04	Washer.....	1. K 12	Wheel stud.....	1. K 13
Torx screw-M10-pan head.....	1. K 18	Undertray-bumper-front.....	3. C 03	Washer.....	1. G 12	Wheel stud.....	1. K 17
Touring kit.....	3. I 03	Universal joint.....	1. J 13	Washer.....	1. G 13	Wheelarch liner-assembly-RH-front.....	3. C 02
Towing eye.....	3. I 08	Upper wishbone-RH.....	1. K 14	Washer.....	1. K 15	Wheelarch panel-RH rear-outer.....	3. G 12
Trafficmaster.....	3. H 05	Vacuum hose.....	1. F 03	Washer.....	1. N 18	Wind deflector.....	3. H 05
Transmission control module-programmed.....	1. F 08	Vacuum hose-short.....	1. G 17	Washer.....	2. F 03	Wind deflector-bumper-RH.....	3. C 03
Treadplate insert.....	2. M 02	Vacuum pipe.....	1. F 03	Washer.....	2. H 09	Windage tray.....	1. D 08
Treadplate-RH.....	2. M 02	Vacuum pipe.....	1. F 04	Washer.....	2. K 10	Window etching kit.....	3. H 03
Treble clip.....	1. M 03	Vacuum pipe.....	1. F 05	Washer.....	2. C 17	Window regulator and motor-RH rear quarter.....	3. E 18
Treble pipe clip.....	1. G 07	Vacuum pipe.....	1. M 06	Washer.....	3. H 03	Window regulator and motor-assembly-RH.....	3. D 12
Trigger cable-long.....	2. K 09	Vacuum pipe.....	1. F 07	Washer.....	3. D 08	Window regulator motor-RH.....	3. D 12
Trinary/pressure switch bracket.....	1. F 16	Vacuum pipe-assembly.....	1. G 18	Washer.....	3. E 15	Windscreen finisher-seal-RH.....	3. C 10
Trip computer toggle switch.....	2. E 12	Vacuum tank.....	1. G 18	Washer faced bolt.....	3. D 05	Windscreen finisher-seal-RH.....	3. C 11
Trunk aperture seal.....	3. D 06	Valance panel-RH front.....	3. G 08	Washer faced subscrew.....	1. F 09	Windscreen glass-tinted glass.....	3. C 10
Trunk aperture seal.....	3. D 07	Valance panel-RH-inner-front crush tube.....	3. G 07	Washer tube -assembly.....	1. O 06	Windscreen glass-tinted glass.....	3. C 11
Trunk carpet-front-Flint grey.....	2. N 15	Valance reinforcement-RH upper.....	3. G 08	Washer tube -front screen-assembly.....	1. O 02	Windscreen sunshade.....	3. H 12
Trunk floor carpet-Flint grey.....	2. N 15	Valve caps-chrome.....	3. I 02	Washer tube -reservoir.....	1. O 03	Windscreen washer fluid -5 litre.....	3. I 09
Trunk floor mat.....	3. I 04	Valve collar.....	1. E 04	Washer-25mm o/d x 4mm.....	1. M 08	Windscreen wiper rubber-wiper.....	1. O 05
Trunk floor panel.....	3. G 13	Valve cotter.....	1. E 04	Washer-metric.....	1. M 03	Windscreen wiper rubber-wiper.....	3. I 09
Trunk floor support block.....	2. N 16	Valve seal-variable valve timing.....	1. E 03	Washer-metric.....	2. C 14	Windscreen wiper rubber-wiper.....	3. I 10
Trunk harness.....	2. C 13	Valve seal-variable valve timing.....	1. E 09	Washer-rear hub carrier.....	1. K 18	Wing panel-RH front fender.....	3. G 17
Trunk harness link lead.....	1. G 11	Valve spring seat.....	1. E 04	Water curtain-RH.....	2. M 15	Winter wheel and tyre.....	3. I 02
Trunk harness link lead.....	1. G 14	Valve spring seat.....	1. E 08	Water deflector-RH.....	3. C 09	Wiper arm cap.....	1. O 04
Trunk harness link lead-accessory.....	2. C 13	Valve spring seat.....	1. E 09	Water deflector-RH door.....	2. N 02	Wiper arm cap.....	1. O 05
Trunk lamp.....	2. H 09	Valve spring-cylinder head.....	1. E 04	Water deflector-RH headlamp.....	2. H 02	Wiper arm-LH-driver.....	1. O 05
Trunk latch.....	3. D 08	Vapour hose-0,125" bore x 65".....	1. G 18	Water deflector-RH headlamp.....	2. H 03	Wiper blade-LH-driver -with deflector.....	3. I 10
Trunk lid badge-RH-XK8.....	3. C 08	Vapour pipe.....	1. F 03	Water deflector-gearbox.....	1. J 02	Wiper blade-without deflector.....	1. O 05
Trunk lid buffer.....	3. D 08	Vapour pipe.....	1. F 05	Water duct-RH rear quarter.....	3. E 18	Wiper mechanism-assembly.....	1. O 04
Trunk lid buffer.....	3. D 07	Vapour pipe.....	1. F 06	Water heater -110v-700 w.....	1. H 07	Wiper motor mounting bush.....	1. O 04
Trunk lid gas strut.....	3. D 09	Vapour pipe.....	1. G 07	Water heater -110v-700 w.....	3. I 04	Wishbone bush-upper.....	1. K 14
Trunk lid harness.....	2. C 13	Vapour pipe.....	1. G 15	Water outlet seal-cylinder head.....	1. H 06	Wishbone fulcrum bolt.....	1. L 05
Trunk lid hinge-RH.....	3. G 17	Vapour pipe-under floor.....	1. F 04	Water outlet seal-cylinder head.....	1. E 08	Wishbone tie -assembly.....	1. L 05
Trunk lid latch actuator.....	3. D 08	Variable valve timing unit-inlet.....	1. D 18	Water outlet seal-cylinder head.....	1. E 09	Wishbone-RH.....	1. L 05
Trunk lid liner.....	2. N 17	Vec mounting-front crossbeam.....	1. K 18	Water pump and gasket.....	1. H 08	Woodruff key-crankshaft.....	1. D 10
Trunk lid panel.....	3. G 17	Veneer kit-car set-burr walnut.....	2. N 08	Water pump gasket.....	1. H 08	Worm drive hose clip.....	1. G 05
Trunk lid seal.....	3. E 14	Vent box housing -trunk.....	1. N 08	Water pump gasket.....	1. E 10	Worm drive hose clip-steel.....	1. G 09
Trunk liner.....	3. I 04	Vent valve-fuel tank.....	1. G 11	Water pump mounting bracket.....	1. N 15	Worm drive hose clip-steel.....	1. G 10
Trunk lock barrel.....	3. D 08	Vertical link-RH.....	1. K 13	Water pump pulley.....	1. H 08	Worm drive hose clip-steel.....	1. G 11
Trunk lock barrel.....	3. D 13	Waist seal-RH outer.....	3. E 07	Water shield-air intake.....	1. N 07	Worm drive hose clip-steel.....	1. G 12
Trunk mounted fusebox-22 way.....	2. C 16	Waist seal-RH outer.....	3. E 08	Water shield-air intake.....	3. H 05	Worm drive hose clip-steel.....	1. G 13
Trunk net.....	3. H 06	Waist seal-inner-RH rear quarter.....	3. E 18	Water valve.....	1. N 15	Worm drive hose clip-steel.....	1. G 14

Z-bend bush..... 3. D 08

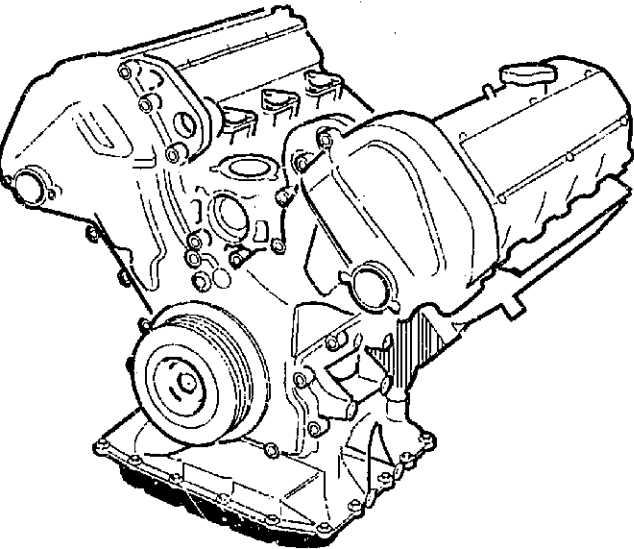
MASTER INDEX	
ENGINE .....	1 D
ENGINE MANAGEMENT/EMISSION SYSTEMS .....	1 F
AIR AND FUEL DELIVERY SYSTEMS .....	1 G
ENGINE COOLING SYSTEM .....	1 H
EXHAUST SYSTEM AND COMPONENTS .....	1 I
TRANSMISSION AND DRIVELINE .....	1 J
STEERING AND SUSPENSION .....	1 K
BRAKING SYSTEM .....	1 M
AIR CONDITIONING/HEATING/VENTILATION .....	1 N
WIPER AND WASHER SYSTEMS .....	1 O
ELECTRICAL DISTRIBUTION SYSTEM .....	2 C
INFORMATION SYSTEMS AND CONTROLS .....	2 E
BATTERY/STARTER MOTOR/ALTERNATOR .....	2 F
IN CAR ENTERTAINMENT .....	2 G
LIGHTING - EXTERIOR/INTERIOR .....	2 H
LOCKING/SECURITY SYSTEMS/HORNS .....	2 I
SEATING .....	2 J
OCCUPANT RESTRAINTS .....	2 L
INTERIOR TRIM AND LININGS .....	2 M
EXTERIOR FITTINGS AND SUNROOF .....	3 C
BODY CLOSURES AND SEALING .....	3 D
BODY METAL PANELS AND SEALING .....	3 G
ACCESSORIES/CONSUMABLES/INDEX .....	3 H

GROUP INDEX	
CAMSHAFTS AND VALVE GEAR .....	1. E 03
CONNECTING RODS AND PISTONS .....	1. D 12
CRANKSHAFT AND PULLEY .....	1. D 10
CYLINDER BLOCK .....	1. D 08
CYLINDER HEAD .....	1. D 13
DRIVE BELTS AND PULLEYS .....	1. D 18
DRIVE PLATE AND FLYWHEEL COVERS .....	1. E 13
ENGINE AND GEARBOX MOUNTING .....	1. D 04
ENGINE ASSEMBLY .....	1. D 02
ENGINE GASKET AND SEAL SETS .....	1. E 08
INLET AND EXHAUST MANIFOLDS .....	1. E 11
SUMP AND OIL DELIVERY SYSTEMS .....	1. D 07
TIMING CHAINS AND ADJUSTERS .....	1. D 14
BELT TENSIONER/IDLER PULLEY/MOUNTING .....	1. E 02
CAMSHAFT AND VALVES-4.0 LITRE-V8 .....	1. E 04
CAMSHAFT COVER AND GASKET-4.0 .....	1. E 03
CRANKSHAFT-4.0 LITRE-V8 .....	1. D 10
CYLINDER BLOCK AND BEDPLATE .....	1. D 08
CYLINDER HEAD AND GASKET-4.0 LITRE-V8 .....	1. D 13
CYLINDER HEAD GASKET SET-4.0 LITRE-V8 .....	1. E 08
DRIVE BELT-4.0 LITRE-V8 .....	1. D 18
DRIVE PLATE-4.0 LITRE-V8 .....	1. E 13
ENGINE ASSEMBLY-4.0 LITRE-V8 .....	1. D 02
ENGINE COVER .....	1. D 03
ENGINE GASKET SET-LOWER-4.0 LITRE-V8 .....	1. E 10
ENGINE MOUNTING-FRONT-4.0 LITRE-V8 .....	1. D 04
EXHAUST MANIFOLD-4.0 LITRE-V8 .....	1. E 12
GEARBOX MOUNTING-4.0 LITRE-V8 .....	1. D 05
INLET MANIFOLD-4.0 LITRE-V8 .....	1. E 11
OIL FILTER-4.0 LITRE-V8 .....	1. D 09
OIL PUMP AND PIPES-4.0 LITRE-V8 .....	1. D 07
OIL SUMP AND DIPSTICK-4.0 LITRE-V8 .....	1. D 08
PISTON AND CONNECTING ROD-4.0 LITRE .....	1. D 12
TAPPET ADJUSTMENT SHM-4.0 LITRE-V8 .....	1. E 05
TIMING CHAIN-PRIMARY-4.0 LITRE-V8 .....	1. D 15
TIMING CHAIN-SECONDARY-4.0 LITRE-V8 .....	1. D 16

TIMING COVER-4.0 LITRE-V8 .....	1. D 14
---------------------------------	---------

ENGINE ASSEMBLY-4.0 LITRE-V8

Illus	Part Number	Description	Quantity	Change Point	Remarks
	NCA 1002AAN	Stripped engine-new .....	1	] (1).....	] EGR
	NCA 1002AAE	Stripped engine-remanufactured unit .....	1		
	NCA 1002ABN	Stripped engine-new -new .....	1	] (2).....	] Except EGR
	NCA 1002ABE	Stripped engine-remanufactured unit .....	1		
	NCC 1002DAN	Stripped engine-new .....	1	] (3).....	] Except EGR
	NCC 1002DAE	Stripped engine-remanufactured unit .....	1		
	NNE 1002PBN	Stripped engine-new .....	1	] (4).....	] .....
	NNE 1002PBE	Stripped engine-remanufactured unit .....	1		
	NCA 1001AA	Short engine .....	1	(5)	
	NCC 1001DA	Short engine .....	1	(3)	
	NRA 1001KA	Short engine .....	1	(4)	



TB8301

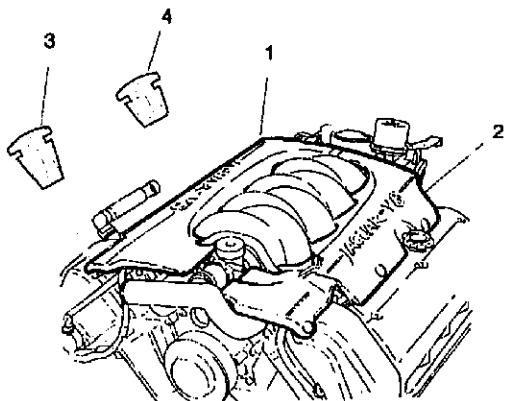
CHANGE POINTS:

- (1) To (V) 011481
- (2) From (V) 011482 To (V) 018107
- (3) From (V) 018108 To (V) 031302
- (4) From (V) 031303
- (5) To (V) 018107



ENGINE COVER

Illus	Part Number	Description	Quantity	Change Point	Remarks
	1 NJA 3921AD	ENGINE COVER-RH A-BANK.....	1	(1)	
	1 NJB 3921AA	ENGINE COVER-RH A-BANK.....	1	(2)	
	3 NJA 6790BC	• Mounting-rubber-cover-engine bay fuel pipes.....	2		
	4 NJA 6790CC	• Mounting-rubber-engine bay.....	1		
	2 NJA 3921BE	ENGINE COVER-LH B-BANK.....	1	(1)	
	2 NJB 3921BA	ENGINE COVER-LH B-BANK.....	1	(3)	
	2 NJC 3921BF	ENGINE COVER-LH B-BANK.....	1	(4)	
	3 NJA 6790B D	• Mounting-rubber-cover-engine bay fuel pipes.....	2		
	4 NJA 6790CC	• Mounting-rubber-engine bay.....	1		
	NJA 1819AC	Engine cover spacer.....	1		



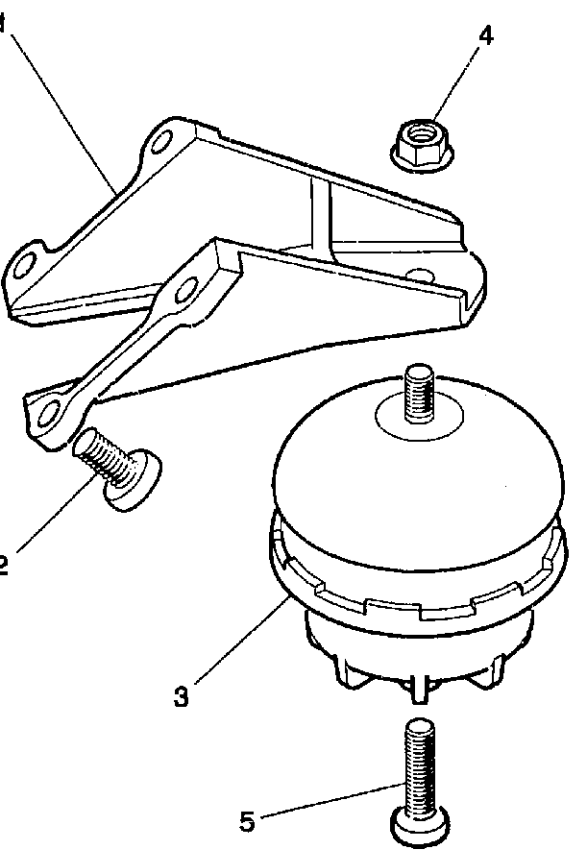
TB6139

CHANGE POINTS:

- (1) To (V) 024686
- (2) From (V) 024687
- (3) From (V) 024687 To (V) 031302
- (4) From (V) 031303

ENGINE MOUNTING-FRONT-4.0 LITRE-V8

Qty	Part Number	Description	Quantity	Change Point	Remarks
1	MCA 7510AB	Engine mounting bracket-RH.....	1	(1)	
1	MCA 7510AC	Engine mounting bracket-RH side.....	1	(2)	
1	AJ6 1443	Engine mounting bracket-RH side.....	1	(3)	
1	MCA 7511AB	Engine mounting bracket-LH.....	1	(1)	
1	MCA 7511AC	Engine mounting bracket-LH side.....	1	(4)	
2	JZS 130058	Torx pan head machine screw-pan head-10mm x 30mm.....	8		
3	MJA 7500AE	Hydraulic engine mounting.....	2	(5)	
3	MJA 7500AF	Hydraulic engine mounting.....	2	(6)	
3	MNC 7500AA	Hydraulic engine mounting.....	2	(7)	
3	MNC 7500AB	Hydraulic engine mounting.....	2	(8)	
	MNC 7526AA	Engine mounting heatshield.....	2	(9)	
4	JLM 11870	Locking nut.....	2		
5	JFS 11035E	Torx head screw.....	2	(10)	
5	JXA 11035E	Torx head screw.....	2	(11)	

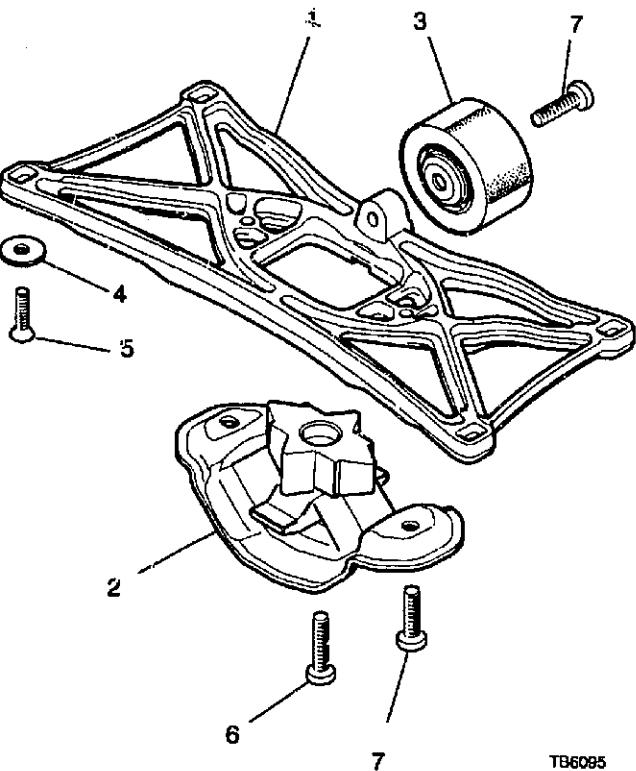


CHANGE POINTS:

- (1) To (V) 019320
- (2) From (V) 019321 To (V) 031302
- (3) From (V) 031303
- (4) From (V) 019321
- (5) To (V) 014216
- (6) From (V) 014217 To (V) 018107
- (7) From (V) 018108 To (V) 020347
- (8) From (V) 020348
- (9) From (V) 018108
- (10) From (V) 021048
- (11) To (V) 021045

TB6094

Qty	Part Number	Description	Quantity	Change Point	Remarks
1	MJA 7600AG	Engine mounting bracket-rear .....	1	(1)	
1	MJA 7600AH	Engine mounting bracket-rear .....	1	(2)	
2	MNA 7550AR	Engine mounting-rear .....	1	(3)	
2	MNA 7550AC	Engine mounting-rear .....	1	(4)	
3	MNA 7575AB	Mounting.....	1	(1)	
4	JZW 100630	Washer .....	4		
5	JSH 10835E	Hexagon head screw-M8 x 35mm .....	4	(5)	
5	JFP 10807E	Hexagon head screw-M8 x 35mm .....	4	(8)	
6	JZS 100124	Pan head screw-M10 x 40mm .....	1	(6)	
6	JZS 100170	Pan head screw-M10 x 40mm .....	1	(7)	
7	JZS 100120	Torx screw-M10 x 25mm.....	2		



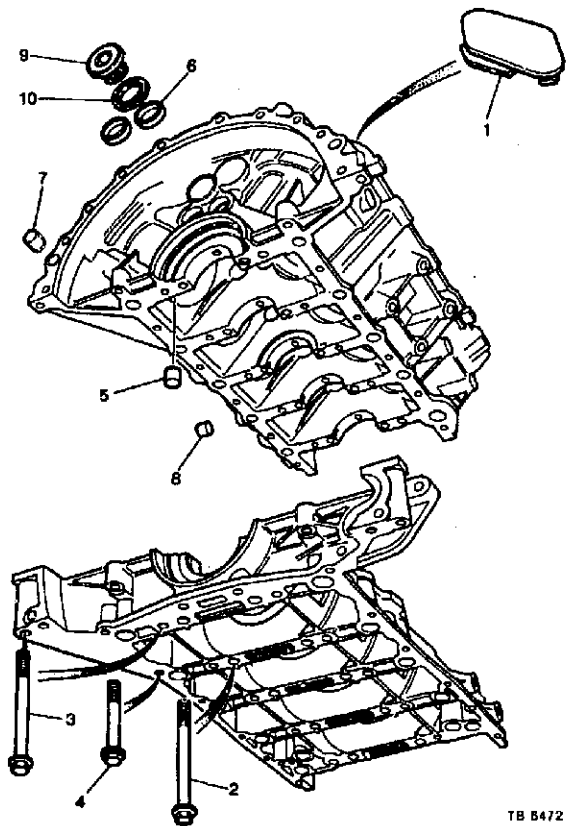
CHANGE POINTS:

- (1) To (V) 014499
- (2) From (V) 014500
- (3) To (V) 018107
- (4) From (V) 018108
- (5) To (V) 031302
- (6) To (V) 022366
- (7) From (V) 022367
- (8) From (V) 031303

TB6095

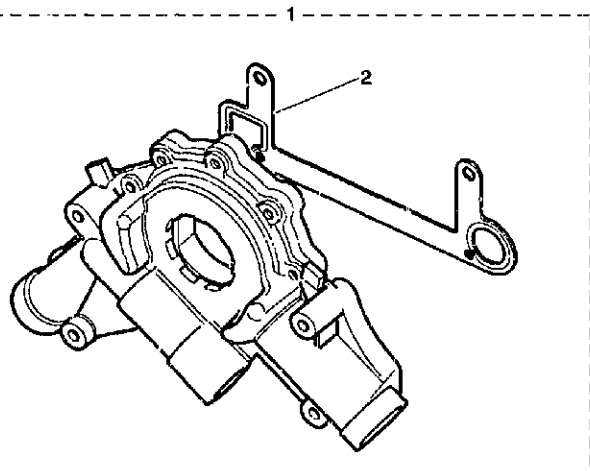
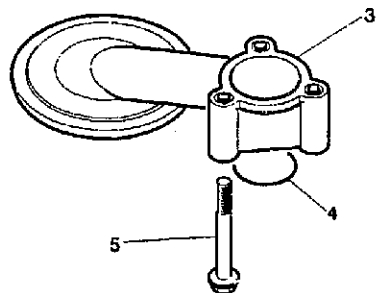
CYLINDER BLOCK AND BEDPLATE ASSEMBLY-4.0 LITRE-V8

Qty	Part Number	Description	Quantity	Change Point	Remarks
1	NCA 1207AA	Engine cover-block valley .....	1		
2	NCA 1266AC	Main bearing bolt-114mm.....	10		
3	NCA 1266BB	Main bearing bolt-109.5mm.....	12		
4	NCA 1266CB	Main bearing bolt-80mm.....	12		
5	EAZ 2159	Dowel.....	1		
6	JZD 100008	Core plug-28mm.....	2		
7	C 48021	Dowel.....	2		
8	EBC 4435	Dowel.....	2		
9	JZD 100015	Screw plug-M30 X 1.5 .....	NLA		..... Use JZU100019.
10	JWV 130001	Sealing washer .....	1		
	JFS 110167	Flange head screw .....	1		
	JWV 110001	Washer .....	1		
	JLM 20163	Sealant-50ml-RTV-syringe.....	1		
9	JZD 100019	Screw plug-M30 X 1.5-cylinder block.....	2		



OIL PUMP AND PIPES-4.0 LITRE-V8

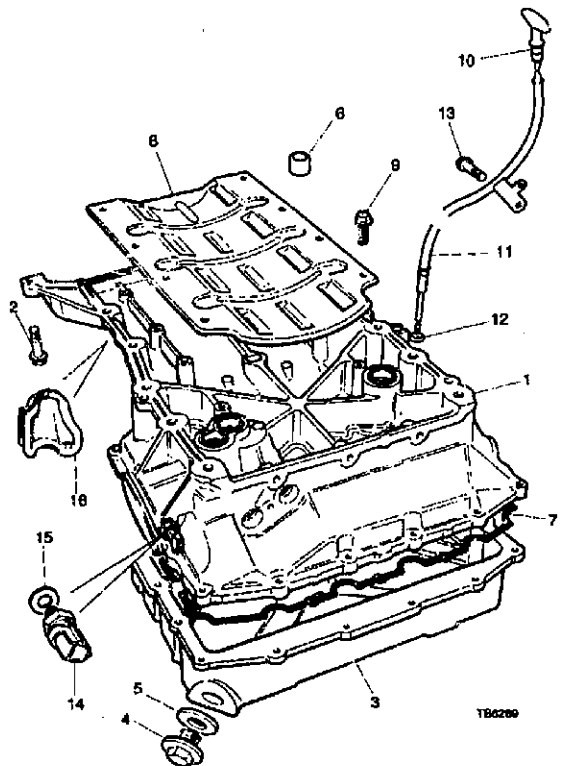
Qty	Part Number	Description	Quantity	Change Point	Remarks
1	JLM 20085	OIL PUMP-KIT.....	1	(1)	
1	JLM 20578	OIL PUMP-KIT.....	1	(2)	
2	NCE 1778AA	• Oil pump gasket-oil pump to cylinder block.....	1		
3	NCA 1711AE	Oil pickup pipe.....	1		
4	NCA 1745AB	Oil seal-oil suction pipe.....	1	(1)	
4	NCF 1745AA	Oil seal-oil suction pipe.....	1	(2)	
5	JFC 106108	Flange head bolt-M6 x 50mm.....	7		



TB8304 CHANGE POINTS:  
 (1) To (V) 031302  
 (2) From (V) 031303

## SUMP AND OIL DELIVERY SYSTEMS

## OIL SUMP AND DIPSTICK-4.0 LITRE-VI



Illus	Part Number	Description	Quantity	Change Point	Remarks
1	NCA 1750AF	Oil sump body.....	1	(1)	
1	NCA 1750AG	Oil sump body.....	1	(2)	
1	NCA 1750CB	Oil sump body.....	1	(3)	
1	NNE 1750AA	Oil sump body.....	1	(4)	
2	JFB 10808B	Hexagonal head flanged bolt.....	16	(5)	
2	JFB 10808E	Hexagonal head flanged bolt-M8.....	16	(4)	
3	NCA 1752AC	Oil sump pan.....	1		
4	JZS 100038	Screw- sump.....	1		
5	JWV 114003	Sealing washer- sump.....	1		
6	EAZ 2159	Dowel.....	1		
7	NCA 1730AD	Sump pan gasket.....	1		
8	NCA 1832AA	Windage tray.....	1		
9	FA 105101 J	Screw-M5.....	8		
10	NCA 1723AB	Engine oil dipstick.....	1	(6)	
10	NNE 1723AA	Engine oil dipstick.....	1	(7)	
11	NCA 1708AB	Engine dipstick tube.....	1	(6)	
11	NNE 1708AC	Engine dipstick tube.....	1	(7)	
12	KSH 108624	O-ring.....	1		
13	FS 108121 J	Flange screw.....	1	(8)	
	JFN 10504B	Hexagonal flange nut-M5.....	1	(7)	
14	LCA 5842AA	Oil pressure switch.....	1		
15	JWV 114003	Sealing washer- sump.....	1		
16	EAZ 2027	Access plug.....	1		
17	JZS 100105	Flange head screw-M6 x 12mm.....	18	(8)	
	JZH 100058	Bolt and washer -M6 x 20mm.....	18	(9)	

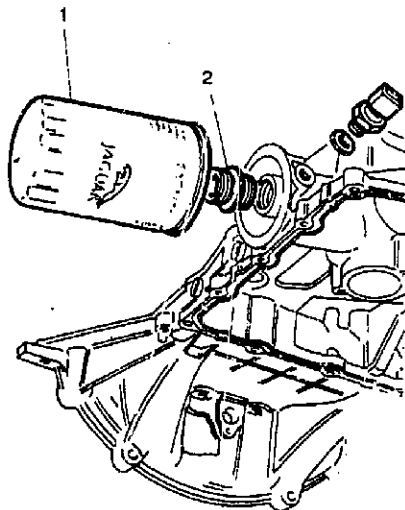
## CHANGE POINTS:

- (1) To (V) 018107
- (2) From (V) 018108 To (V) 024154
- (3) From (V) 024155 To (V) 031302
- (4) From (V) 031303
- (5) To (V) 031302
- (6) To (V) 028138
- (7) From (V) 028139
- (8) To (V) 024154
- (9) From (V) 024155

TBC286

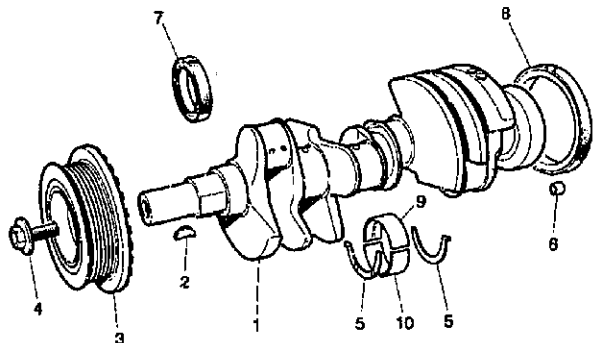
OIL FILTER-4.0 LITRE-1/8

Qty	Part Number	Description	Quantity	Change Point	Remarks
1	EAZ 1354	Oil filter.....	1		
2	NCA 1702AB	Oil filter adaptor .....	1		



TB6142

Qty	Part Number	Description	Quantity	Change Point	Remarks
1	NCA 1410AC	Crankshaft-selective shells.....	1	(1)	
1	NCA 1410AD	Crankshaft-selective shells.....	1	(2)	
2	JZY 100001	Woodruff key-crankshaft.....	1		
3	NCA 1411AB	Crankshaft damper.....	1	(3)	
3	NCA 1411AE	Crankshaft damper.....	1	(4)	
3	NCA 1411AF	Crankshaft damper.....	1	(5)	
3	AJB 1330	Crankshaft damper.....	1	(6)	
	NCC 1450AA	Split collet-damper to crankshaft.....	1		
4	NCA 1451AA	Damper bolt.....	1		
5	NCA 1412AA	Crankshaft thrust washer.....	2	(7)	
5	NCE 1412BA	Crankshaft thrust washer.....	2	(8)	
6	EAZ 2159	Dowel.....	1		
7	EAZ 2060	Crankshaft oil seal-front.....	1	(8)	
7	NCA 2114BA	Crankshaft oil seal-front.....	1	(9)	
8	EAZ 2081	Crankshaft oil seal-rear.....	1	(8)	
8	NCA 1237BA	Crankshaft oil seal-rear.....	1	(9)	
9	NCA 1404AA 1	Crankshaft main bearing-blue/green-grooved-upper.....	A/R		
9	NCA 1404AA 2	Crankshaft main bearing-blue-grooved-upper.....	A/R		
9	NCA 1404AA 3	Crankshaft main bearing-green-grooved-upper.....	A/R		
9	NCA 1404AA 4	Crankshaft main bearing-yellow-grooved-upper.....	A/R		
9	NCA 1404AA 5	Crankshaft main bearing-brown-grooved-upper.....	A/R		



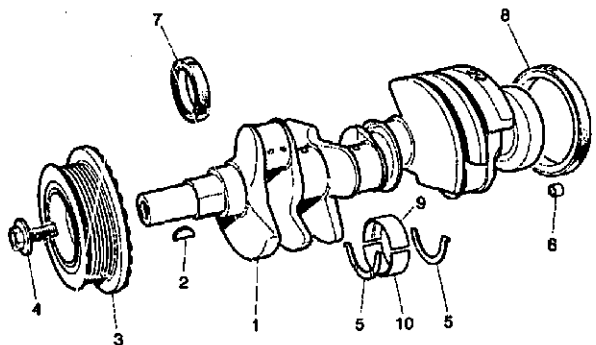
TB6143A

CHANGE POINTS:

- (1) To (V) 001149
- (2) From (V) 001150
- (3) To (V) 002242
- (4) From (V) 008243 To (V) 020347
- (5) From (V) 020348 To (V) 031302
- (6) From (V) 031303
- (7) To (V) 031302
- (8) To (V) 018107
- (9) From (V) 018108



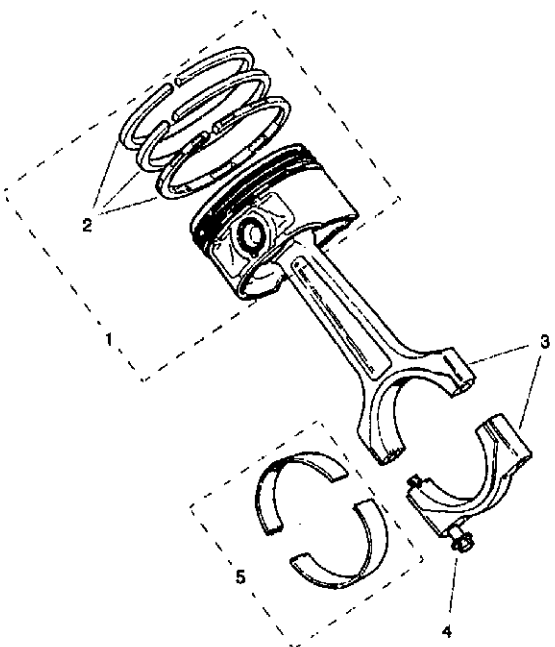
Illus	Part Number	Description	Quantity	Change Point	Remarks
	10 NCA 1406AA 1	Crankshaft main bearing-blue/green-lower .....	A/R		
	10 NCA 1406AA 2	Crankshaft main bearing-blue-lower .....	A/R		
	10 NCA 1406AA 3	Crankshaft main bearing-green-lower .....	A/R		
	10 NCA 1406AA 4	Crankshaft main bearing-yellow-lower .....	A/R		
	10 NCA 1406AA 5	Crankshaft main bearing-brown-lower .....	A/R		



TB6143A

PISTON AND CONNECTING ROD-4.0 LITRE-V8

Illus	Part Number	Description	Quantity	Change Point	Remarks
	1 NCA 1600AE1	PISTON-ASSEMBLY-GRADE 1.....	8	] (1)	
	1 NCA 1600AE2	PISTON-ASSEMBLY-GRADE 2.....	8		
	1 NCA 1600AE3	PISTON-ASSEMBLY-GRADE 3.....	8		
	2 JLM 20147	* Piston ring-set .....	1		
	EAZ 1269	* Circlip .....	2		
	1 NCA 1600AF1	PISTON-ASSEMBLY-GRADE 1.....	8	] (2)	
	1 NCA 1600AF2	PISTON-ASSEMBLY-GRADE 2.....	8		
	1 NCA 1600AF3	PISTON-ASSEMBLY-GRADE 3.....	8		
	2 JLM 20147	* Piston ring-set .....	1		
	EAZ 1269	* Circlip .....	2		
	1 NNE 1600AD1	Piston-assembly-grade 1.....	8	] (3)	
	1 NNE 1600AD2	Piston-assembly-grade 2.....	8		
	1 NNE 1600AD3	Piston-assembly-grade 3.....	8		
	3 NCA 1610AA	CONNECTING ROD-ASSEMBLY.....	8	(1)	
	3 NCA 1610BA	CONNECTING ROD-ASSEMBLY.....	8	(4)	
	4 NCA 1614AA	* Bearing cap bolt .....	2		
	5 NCA 1612AB2	Big end bearing shell -blue .....	2		
	5 NCA 1612AB3	Big end bearing shell -green.....	2		
	5 NCA 1612AB4	Big end bearing shell -yellow.....	2		

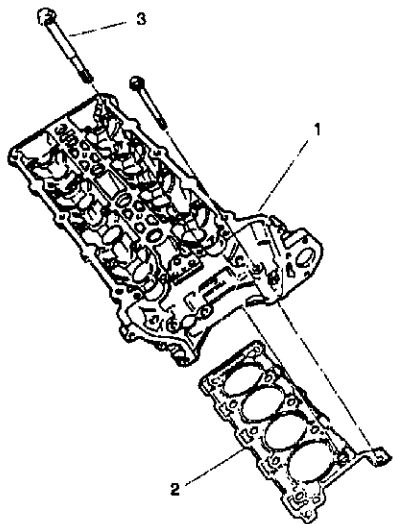


TB6141

CHANGE POINTS:  
 (1) To (V) 018107  
 (2) From (V) 018103 To (V) 031302  
 (3) From (V) 031303  
 (4) From (V) 018108

CYLINDER HEAD AND GASKET-4.0 LITRE-V8

Illus	Part Number	Description	Quantity	Change Point	Remarks
	1 NCA 2604AB	Cylinder head-with valves-RH A-bank.....	1		
	1 NCA 2605AB	Cylinder head-with valves-LH B-bank.....	1		
	1 NCA 2602AF	CYLINDER HEAD-LESS VALVES-RH A-BANK.....	1	(1)	
	1 NCA 2603AF	CYLINDER HEAD-LESS VALVES-LH B-BANK.....	1	(1)	
	EAZ 1483	* Inlet valve seat insert.....	8		
	EAZ 1904	* Exhaust valve seat insert.....	8		
	1 NRA 2602AD	CYLINDER HEAD-LESS VALVES-RH A-BANK.....	1	(5)	
	1 NRA 2603AD	CYLINDER HEAD-LESS VALVES-LH B-BANK.....	1	(5)	
	NCE 2522AA	* Inlet valve seat insert.....	8		
	NCE 2521AA	* Exhaust valve seat insert.....	8		
	2 NCA 2540AC	Cylinder head gasket-RH A-bank.....	1	] (2)	
	2 NCA 2541AC	Cylinder head gasket-LH B-bank.....	1		
	2 NCA 2540AD	Cylinder head gasket-RH A-bank.....	1	] (3)	
	2 NCA 2541AD	Cylinder head gasket-LH B-bank.....	1		
	2 NCC 2540BC	Cylinder head gasket-RH A-bank.....	1	] (4)	
	2 NCC 2541BC	Cylinder head gasket-LH B-bank.....	1		
	3 NCA 2650AA	Cylinder head bolt-M10 x 175mm.....	20		
	EAZ 2157	Dowel.....	2		
	JFB 108186	Flange head bolt.....	4		



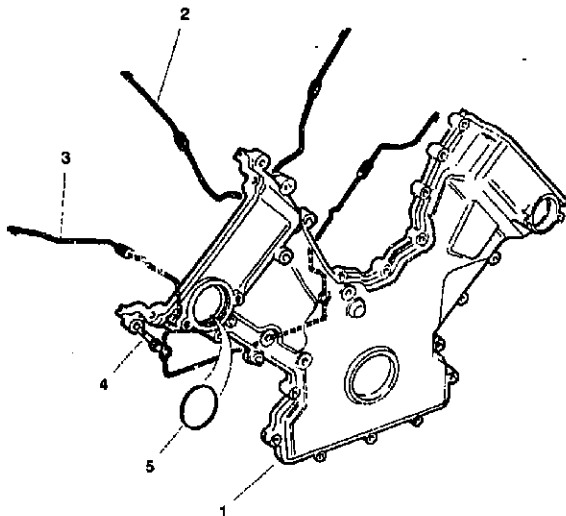
1B0135

CHANGE POINTS:

- (1) To (V) 031302
- (2) To (V) 019320
- (3) From (V) 019321 To (E) 9803240000
- (4) From (E) 8803250000
- (5) From (V) 031303

TIMING COVER-4.0 LITRE-V8

Illus	Part Number	Description	Quantity	Change Point	Remarks
1	NCA 2110AF	Timing cover .....	1	(1)	
1	NNE 2110AB	Timing cover .....	1	(2)	
	NCA 1236AB	Timing cover dowel-cover to block.....	3		
2	NCA 2126AC	Timing cover seal-inner .....	1		
3	NCA 2127AC	Timing cover seal-outer .....	1		
4	JFB 10607B	Bolt .....	24		
5	KSC 145624	O-ring.....	2		



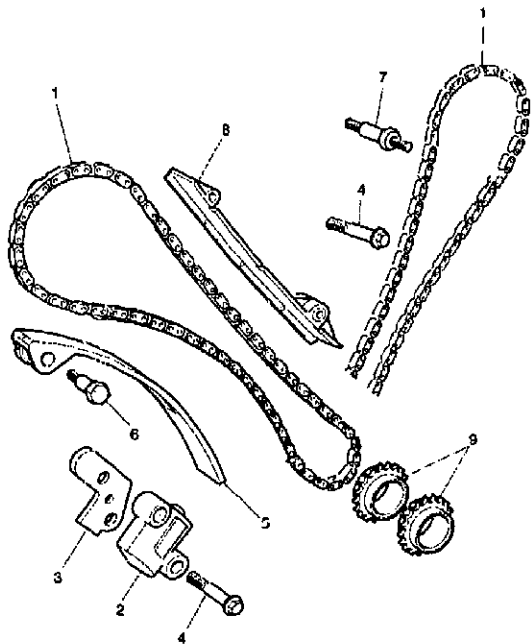
T86132

CHANGE POINTS:  
 (1) To (V) 031302  
 (2) From (V) 031303

TIMING CHAINS AND ADJUSTERS

TIMING CHAIN-PRIMARY-4.0 LITRE-V8

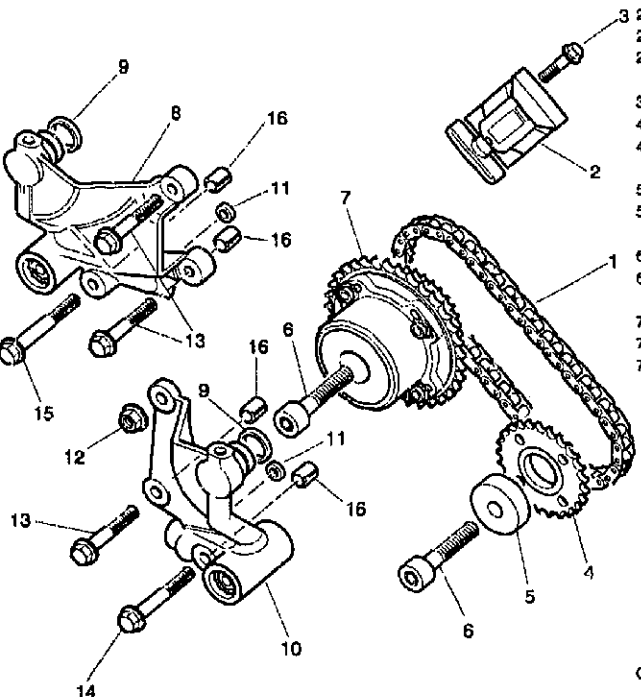
Illus	Part Number	Description	Quantity	Change Point	Remarks
1	EAZ 1269	Primary timing chain.....	2		
2	NCA 1885AD	Chain tensioner-primary.....	2	(1)	
2	NCA 1995AE	Chain tensioner-primary.....	2	(2)	
3	NCA 2002BD	Blanking plate-timing chain tensioner-primary.....	2		
4	JFC 106086	Flange head bolt.....	6		
5	NCA 2025AB	Chain tensioner blade.....	2		
6	NCA 2028AA	Pivot bolt-timing chain tensioner.....	1		.....} Variable valve timing
7	NCA 2028BA	Pivot pin-timing chain tensioner.....	1		
8	EAZ 2114	Chain guide.....	2		
9	EAZ 2126	Crankshaft sprocket-engine.....	2		



TB6299

CHANGE POINTS:  
 (1) To (V) 019320  
 (2) From (V) 019321

Illus	Part Number	Description	Quantity	Change Point	Remarks
	1 EAZ 1286	Secondary timing chain .....	2		
	2 NCA 2017AC	Chain tensioner-RH A-bank-secondary .....	1	(1)	
	2 NCA 2017AD	Chain tensioner-RH A-bank-secondary .....	1	(2)	
	2 NCA 2017AE	Chain tensioner-RH A-bank-secondary .....	1	(3)	
	2 NCA 2017BA	Chain tensioner-LH B-bank-secondary .....	1	(4)	
	2 NCA 2017BB	Chain tensioner-LH B-bank-secondary .....	1	(5)	
	2 NCA 2017BC	Chain tensioner-LH B-bank-secondary .....	1	(2)	
	2 NCA 2017BD	Chain tensioner-LH B-bank-secondary .....	1	(3)	
	3 JFC 106086	Flange head bolt .....	4		
	4 NCA 2026AA	Camshaft sprocket-exhaust-camshaft .....	2	(6)	
	4 NCA 2026CA	Camshaft sprocket-exhaust-camshaft .....	2	(7)	
	5 JZT 100006	Spacer-sprocket to camshaft .....	2	(4)	
	5 JZT 100018	Spacer-sprocket to camshaft .....	2	(8)	
	6 NCA 2656AA	Socket head bolt-sprocket to camshaft .....	4	(4)	
	6 NCA 2656AB	Socket head bolt-sprocket to camshaft .....	4	(8)	
	7 NCA 2016AC	Variable valve timing unit-inlet .....	2	(9)	
	7 NCA 2016AD	Variable valve timing unit-inlet .....	2	(10)	
	7 NNE 2016AB	Variable valve timing unit-inlet .....	2	(7)	

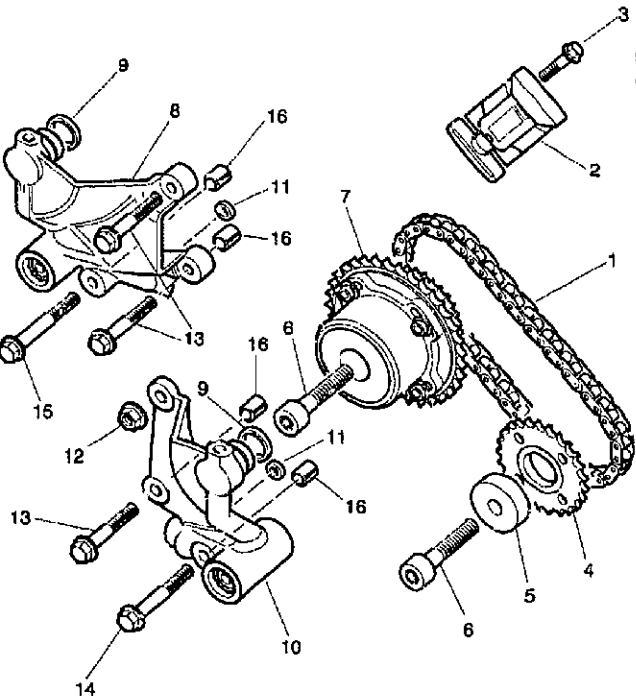


CHANGE POINTS:

- (1) To (V) 018320
- (2) From (V) 018321 To (V) 024686
- (3) From (V) 024687
- (4) To (V) 018107
- (5) From (V) 018108 To (V) 019320
- (6) To (V) 031302
- (7) From (V) 031303
- (8) From (V) 018108
- (9) To (V) 009847
- (10) From (V) 009847 To (V) 031302

TB6297

Illus	Part Number	Description	Quantity	Change Point	Remarks
	8 NCA 2616CB	MODULE CARRIER -VARIABLE VALVE TIMING-RH A-.....	1	] (1)	
	10 NCA 2617CB	MODULE CARRIER -VARIABLE VALVE TIMING-LH B-.....	1		
	8 NCA 2616CC	MODULE CARRIER -VARIABLE VALVE TIMING-RH A-.....	1	] (2)	
	10 NCA 2617CC	MODULE CARRIER -VARIABLE VALVE TIMING-LH B-.....	1		
	9 NCA 2622AA	• Sealing ring .....	1	] (3)	
	8 AJ8 1262	Module carrier -variable valve timing-RH A-bank .....	1		
	10 AJ8 1263	Module carrier -variable valve timing-LH B-bank .....	1		
	11 KSH 108624	O-ring.....	2		
	12 JFN 10804B	Flanged nut .....	1		
	13 JFB 10807N	Mounting bolt-M8 x 35mm .....	3		
	14 JFB 10810N	Mounting bolt-flanged head .....	1		
	15 JFB 10813N	Mounting bolt-M8 x 65mm .....	1		
	16 EAZ 2159	Dowel.....	4		

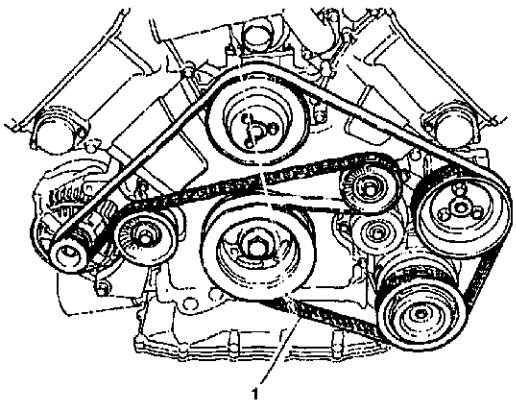


TB6297

CHANGE POINTS:

- (1) To (V) 017419
- (2) From (V) 017420 To (V) 051302
- (3) From (V) 051303

Illus	Part Number	Description	Quantity	Change Point	Remarks
1	NCA 2211AC	Engine drive belt.....	1		



T04136



MASTER INDEX	
ENGINE .....	1 D
ENGINE MANAGEMENT/EMISSION SYSTEMS .....	1 F
AIR AND FUEL DELIVERY SYSTEMS .....	1 G
ENGINE COOLING SYSTEM .....	1 H
EXHAUST SYSTEM AND COMPONENTS .....	1 I
TRANSMISSION AND DRIVE LINE .....	1 J
STEERING AND SUSPENSION .....	1 K
BRAKING SYSTEM .....	1 M
AIR CONDITIONING/HEATING/VENTILATION .....	1 N
WIPER AND WASHER SYSTEMS .....	1 O
ELECTRICAL DISTRIBUTION SYSTEM .....	2 C
INFORMATION SYSTEMS AND CONTROLS .....	2 E
BATTERY/STARTER MOTOR/ALTERNATOR .....	2 F
IN CAR ENTERTAINMENT .....	2 G
LIGHTING - EXTERIOR/INTERIOR .....	2 H
LOCKING/SECURITY SYSTEMS/HORNS .....	2 I
SEATING .....	2 J
OCCUPANT RESTRAINTS .....	2 L
INTERIOR TRIM AND LININGS .....	2 M
EXTERIOR FITTINGS AND SUNROOF .....	3 C
BODY CLOSURES AND SEALING .....	3 D
BODY METAL PANELS AND SEALING .....	3 G
ACCESSORIES/CONSUMABLES/INDEX .....	3 H

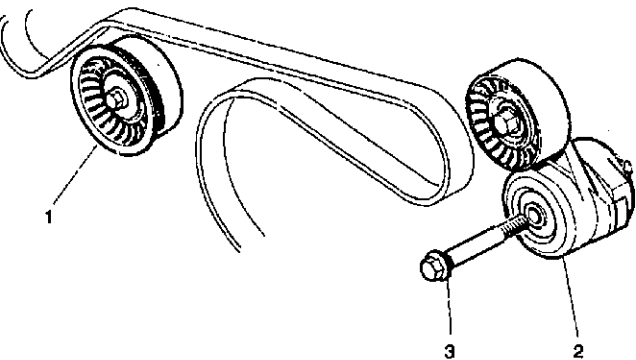
GROUP INDEX	
CAMSHAFTS AND VALVE GEAR .....	1. E 03
CONNECTING RODS AND PISTONS .....	1. D 12
CRANKSHAFT AND PULLEY .....	1. D 10
CYLINDER BLOCK .....	1. D 08
CYLINDER HEAD .....	1. D 13
DRIVE BELTS AND PULLEYS .....	1. D 18
DRIVE PLATE AND FLYWHEEL COVERS .....	1. E 13
ENGINE AND GEARBOX MOUNTING .....	1. D 04
ENGINE ASSEMBLY .....	1. D 02
ENGINE GASKET AND SEAL SETS .....	1. E 08
INLET AND EXHAUST MANIFOLDS .....	1. E 11
SUMP AND OIL DELIVERY SYSTEMS .....	1. D 07
TIMING CHAINS AND ADJUSTERS .....	1. D 14

BELT TENSIONER/IDLER PULLEY/MOUNTING .....	1. E 02
CAMSHAFT AND VALVES-4.0 LITRE-V8 .....	1. E 04
CAMSHAFT COVER AND GASKET-4.0 .....	1. E 03
CRANKSHAFT-4.0 LITRE V8 .....	1. D 10
CYLINDER BLOCK AND BEDPLATE .....	1. D 06
CYLINDER HEAD AND GASKET-4.0 LITRE-V8 .....	1. D 13
CYLINDER HEAD GASKET SET-4.0 LITRE-V8 .....	1. E 08
DRIVE BELT-4.0 LITRE-V8 .....	1. D 18
DRIVE PLATE-4.0 LITRE-V8 .....	1. E 13
ENGINE ASSEMBLY-4.0 LITRE-V8 .....	1. D 02
ENGINE COVER .....	1. D 03
ENGINE GASKET SET-LOWER-4.0 LITRE-V8 .....	1. E 10
ENGINE MOUNTING-FRONT-4.0 LITRE-V8 .....	1. D 04
EXHAUST MANIFOLD-4.0 LITRE-V8 .....	1. E 12
GEARBOX MOUNTING-4.0 LITRE-V8 .....	1. D 05
INLET MANIFOLD-4.0 LITRE-V8 .....	1. E 11
OIL FILTER-4.0 LITRE-V8 .....	1. D 09
OIL PUMP AND PIPES-4.0 LITRE-V8 .....	1. D 07
OIL SUMP AND DIPSTICK-4.0 LITRE-V8 .....	1. D 08
PISTON AND CONNECTING ROD-4.0 LITRE .....	1. D 12
TAPPET ADJUSTMENT SHIM-4.0 LITRE-V8 .....	1. E 05
TIMING CHAIN-PRIMARY-4.0 LITRE-V8 .....	1. D 15
TIMING CHAIN-SECONDARY-4.0 LITRE-V8 .....	1. D 18

TIMING COVER-4.0 LITRE-V8 .....	1. D 14
---------------------------------	---------

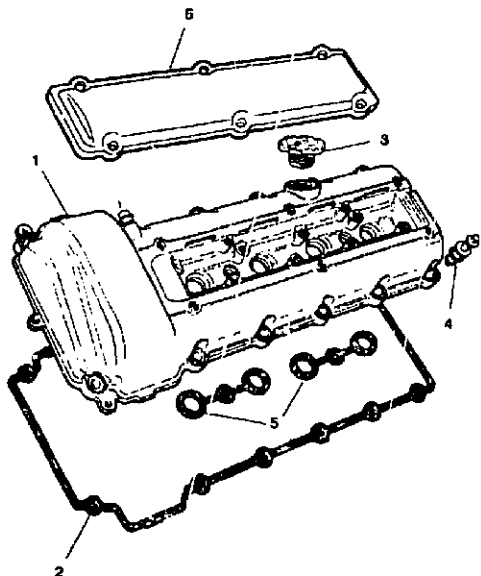
BELT TENSIONER/IDLER PULLEY/MOUNTING BRACKET

Qty	Part Number	Description	Quantity	Change Point	Remarks
1	NCA 2221AA	Idler pulley .....	1		
2	NCA 7739AC	Drive belt tensioner.....	1		
3	JFB 11017B	Flange head bolt.....	1		



CAMSHAFT COVER AND GASKET-4.0 LITRE-V8

Mus	Part Number	Description	Quantity	Change Point	Remarks
1	NCA 2562AB	Camshaft cover-RH A-bank .....	1	} (1)	
1	NCA 2563AB	Camshaft cover-LH B-bank .....	1		
1	NNE 2562AC	Camshaft cover-RH A-bank .....	1	} (2)	
1	NNE 2563AC	Camshaft cover-LH B-bank .....	1		
1	NNE 2562AB	Camshaft cover-RH A-bank .....	1	} (3).....	} Variable valve timing
1	NNE 2563AB	Camshaft cover-LH B-bank .....	1		
2	NCA 2515AD	Camshaft cover gasket-RH A-bank .....	1	} (4)	
2	NCA 2516AD	Camshaft cover gasket-LH B-bank .....	1		
2	NCA 2515AE	Camshaft cover gasket-RH A-bank .....	1	} (5)	
2	NCA 2516AE	Camshaft cover gasket-LH B-bank .....	1		
3	NCA 2647BB	Oil filler cap-red.....	1		
4	NCA 2565AB	CAMSHAFT COVER FASTENER .....	NLA	(8).....	Use NCA2565AC.
4	NCA 2565AC	CAMSHAFT COVER FASTENER .....	22	(7)	
4	NCE 2505CA	CAMSHAFT COVER FASTENER .....	20	(8)	
4	NCA 2565BB	CAMSHAFT COVER FASTENER .....	6	(8)	
4	NCA 2565BC	CAMSHAFT COVER FASTENER .....	1	(9)	
	NCA 2575CA	- Isolator-camshaft cover .....	1		
	NCE 2644AA	Camshaft cover bolt-rear -inner .....	2	(8)	
	NCE 2505BA	Mounting spacer-camshaft cover.....	2	(8)	
5	NCA 2578BB	Spark plug boss seal-camshaft cover.....	4		
6	NCA 2570CA	On plug coil cover-cylinder head .....	1		
	JFS 10512C	Flange head screw-M5 x 12mm .....	12		
	LRA 1536BA	Solenoid valve-variable valve timing .....	2	} (3)	
	NNE 2525AA	Valve seal-variable valve timing.....	2		



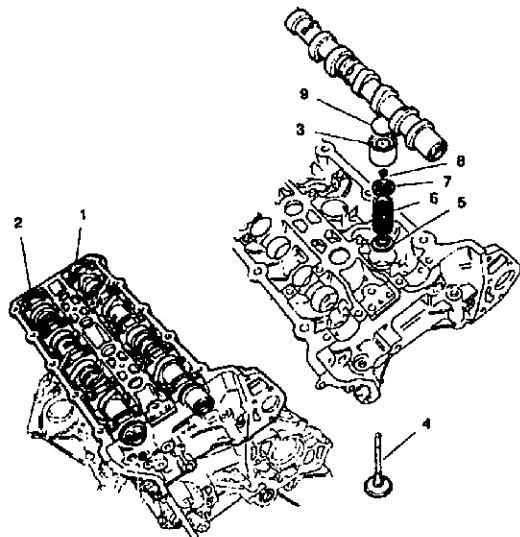
136154

CHANGE POINTS:

- (1) To (V) 018320
- (2) From (V) 019321 To (V) 031302
- (3) From (V) 031303
- (4) To (V) 018107
- (5) From (V) 018108
- (6) To (V) 009846
- (7) From (V) 009847 To (V) 024154
- (8) From (V) 024155
- (9) From (V) 009847

CAMSHAFT AND VALVES-4.0 LITRE-V8

Mus	Part Number	Description	Quantity	Change Point	Remarks
1	NCA 2502AA	Inlet camshaft-RH A-bank.....	1	}	(1)
1	NCA 2547BA	Inlet camshaft-LH B-bank.....	1		
1	NRA 2502AB	Inlet camshaft-RH A-bank.....	1	}	(2)
1	NRA 2503AB	Inlet camshaft-LH B-bank.....	1		
2	NCA 2504AA	Exhaust camshaft-RH A-bank.....	1	}	(3)
2	NCA 2505AA	Exhaust camshaft-LH B-bank.....	1		
2	NCC 2504CA	Exhaust camshaft-RH A-bank.....	1	}	(4)
2	NCC 2505CA	Exhaust camshaft-LH B-bank.....	1		
2	NRA 2504AA	Exhaust camshaft-RH A-bank.....	1	}	(2)
2	NRA 2505AA	Exhaust camshaft-LH B-bank.....	1		
3	EAZ 1954	Tappet.....	32	(3)	
3	NCA 2543AB	Tappet.....	32	(4)	
3	NCE 2543AA	Tappet.....	32	(2)	
4	NCA 2533BA	Inlet valve.....	16		
	NCA 2532AA	Exhaust valve.....	16		
5	EAZ 1314	Valve spring seat.....	32	(1)	
5	NCE 2528AC	Valve spring seat.....	32	(2)	
6	NCA 2535AB	Valve spring-cylinder head.....	32	(3)	
6	NCC 2535AA	Valve spring-cylinder head.....	32	(5)	
6	NCE 2535CA	Valve spring-cylinder head.....	32	(2)	
7	NCA 2517BA	Valve collar.....	32		
8	EAZ 1317	Valve cotter.....	64		



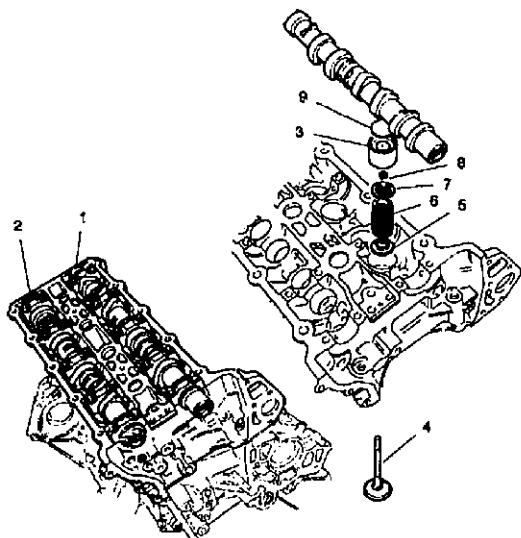
TB6140

CHANGE POINTS:

- (1) To (V) 031902
- (2) From (V) 031303
- (3) To (V) 018107
- (4) From (V) 018108 To (V) 031302
- (5) From (V) 018108

TAPPET ADJUSTMENT (IIM-4.0 LITRE-V8)

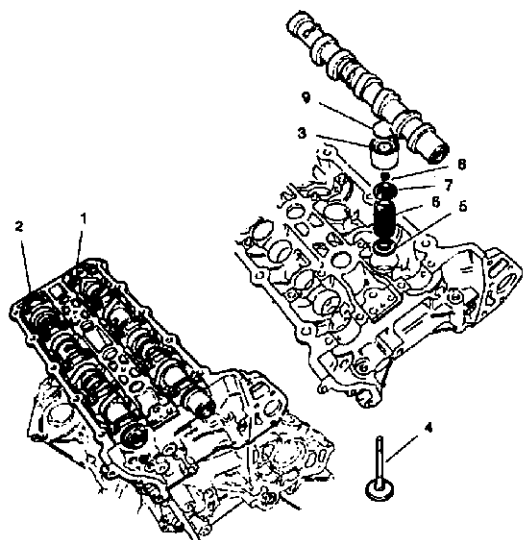
Qty	Part Number	Description	Quantity	Change Point	Remarks
9	NCA 2542DA 1	Tappet adjustment shim-2.18mm.....	32		(1)
9	NCA 2542DA 2	Tappet adjustment shim-2.2mm.....	32		
9	NCA 2542DA 3	Tappet adjustment shim-2.22mm.....	32		
9	NCA 2542DA 4	Tappet adjustment shim-2.24mm.....	32		
9	NCA 2542DA 5	Tappet adjustment shim-2.26mm.....	32		
9	NCA 2542DA 6	Tappet adjustment shim-2.28mm.....	32		
9	NCA 2542DA 7	Tappet adjustment shim-2.3mm.....	32		
9	NCA 2542DA 8	Tappet adjustment shim-2.32mm.....	32		
9	NCA 2542DA 9	Tappet adjustment shim-2.34mm.....	32		
9	NCA 2542DA 10	Tappet adjustment shim-2.36mm.....	32		
9	NCA 2542DA 11	Tappet adjustment shim-2.38mm.....	32		
9	NCA 2542DA 12	Tappet adjustment shim-2.4mm.....	32		
9	NCA 2542DA 13	Tappet adjustment shim-2.42mm.....	32		
9	NCA 2542DA 14	Tappet adjustment shim-2.44mm.....	32		
9	NCA 2542DA 15	Tappet adjustment shim-2.46mm.....	32		
9	NCA 2542DA 16	Tappet adjustment shim-2.48mm.....	32		
9	NCA 2542EA 1	Tappet adjustment shim-2.5mm.....	32		
9	NCA 2542EA 2	Tappet adjustment shim-2.52mm.....	32		
9	NCA 2542EA 3	Tappet adjustment shim-2.54mm.....	32		
9	NCA 2542EA 4	Tappet adjustment shim-2.56mm.....	32		
9	NCA 2542EA 5	Tappet adjustment shim-2.58mm.....	32		
9	NCA 2542EA 6	Tappet adjustment shim-2.6mm.....	32		
9	NCA 2542EA 7	Tappet adjustment shim-2.62mm.....	32		
9	NCA 2542EA 8	Tappet adjustment shim-2.64mm.....	32		
9	NCA 2542EA 9	Tappet adjustment shim-2.66mm.....	32		
9	NCA 2542EA 10	Tappet adjustment shim-2.68mm.....	32		
9	NCA 2542EA 11	Tappet adjustment shim-2.7mm.....	32		
9	NCA 2542EA 12	Tappet adjustment shim-2.72mm.....	32		
9	NCA 2542EA 13	Tappet adjustment shim-2.74mm.....	32		
9	NCA 2542EA 15	Tappet adjustment shim-2.78mm.....	32		
9	NCA 2542EA 16	Tappet adjustment shim-2.8mm.....	32		
9	NCA 2542FA 1	Tappet adjustment shim-2.82mm.....	32		
9	NCA 2542FA 2	Tappet adjustment shim-2.84mm.....	32		
9	NCA 2542FA 3	Tappet adjustment shim-2.86mm.....	32		
9	NCA 2542FA 4	Tappet adjustment shim-2.88mm.....	32		
9	NCA 2542FA 5	Tappet adjustment shim-2.9mm.....	32		



T8640

CHANGE POINTS:  
(1) To (V) Q11302

TAPPET ADJUSTMENT SHIM-4.0 LITRE-V8

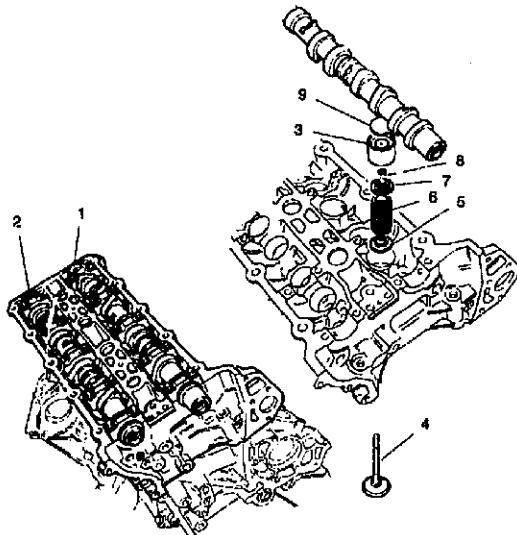


Qty	Part Number	Description	Quantity	Change Point	Remarks
9	NCE 2542AA 1	Tappet adjustment shim-2.18mm.....	32		(1)
9	NCE 2542AA 2	Tappet adjustment shim-2.195mm.....	32		
9	NCE 2542AA 3	Tappet adjustment shim-2.21mm.....	32		
9	NCE 2542AA 4	Tappet adjustment shim-2.225mm.....	3		
9	NCE 2542AA 5	Tappet adjustment shim-2.24mm.....	32		
9	NCE 2542AA 6	Tappet adjustment shim-2.255mm.....	32		
9	NCE 2542AA 7	Tappet adjustment shim-2.27mm.....	32		
9	NCE 2542AA 8	Tappet adjustment shim-2.285mm.....	32		
9	NCE 2542AA 9	Tappet adjustment shim-2.3mm.....	32		
9	NCE 2542AA 10	Tappet adjustment shim-2.315mm.....	32		
9	NCE 2542AA 11	Tappet adjustment shim-2.33mm.....	32		
9	NCE 2542AA 12	Tappet adjustment shim-2.345mm.....	32		
9	NCE 2542AA 13	Tappet adjustment shim-2.36mm.....	32		
9	NCE 2542AA 14	Tappet adjustment shim-2.375mm.....	32		
9	NCE 2542AA 15	Tappet adjustment shim-2.39mm.....	32		
9	NCE 2542AA 16	Tappet adjustment shim-2.405mm.....	32		
9	NCE 2542BA 1	Tappet adjustment shim-2.42mm.....	32		
9	NCE 2542BA 2	Tappet adjustment shim-2.435mm.....	32		
9	NCE 2542BA 3	Tappet adjustment shim-2.45mm.....	32		
9	NCE 2542BA 4	Tappet adjustment shim-2.465mm.....	32		
9	NCE 2542BA 5	Tappet adjustment shim-2.48mm.....	32		
9	NCE 2542BA 6	Tappet adjustment shim-2.495mm.....	32		
9	NCE 2542BA 7	Tappet adjustment shim-2.51mm.....	32		
9	NCE 2542BA 8	Tappet adjustment shim-2.525mm.....	32		
9	NCE 2542BA 9	Tappet adjustment shim-2.54mm.....	32		
9	NCE 2542BA 10	Tappet adjustment shim-2.555mm.....	32		
9	NCE 2542BA 11	Tappet adjustment shim-2.57mm.....	32		
9	NCE 2542BA 12	Tappet adjustment shim-2.585mm.....	32		
9	NCE 2542BA 13	Tappet adjustment shim-2.6mm.....	32		
9	NCE 2542BA 14	Tappet adjustment shim-2.615mm.....	32		
9	NCE 2542BA 15	Tappet adjustment shim-2.63mm.....	32		
9	NCE 2542BA 16	Tappet adjustment shim-2.645mm.....	32		

CHANGE POINTS:  
(1) From (V) 031303

TAPPET ADJUSTMENT 3HM-4.0 LITRE-V8

Qty	Part Number	Description	Quantity	Change Point	Remarks
9	NCE 2542CA 1	Tappet adjustment shim-2.66mm.....	32	(1)	
9	NCE 2542CA 2	Tappet adjustment shim-2.675mm.....	32		
9	NCE 2542CA 3	Tappet adjustment shim-2.69mm.....	32		
9	NCE 2542CA 4	Tappet adjustment shim-2.705mm.....	32		
9	NCE 2542CA 5	Tappet adjustment shim-2.72mm.....	32		
9	NCE 2542CA 6	Tappet adjustment shim-2.735mm.....	32		
9	NCE 2542CA 7	Tappet adjustment shim-2.75mm.....	32		
9	NCE 2542CA 8	Tappet adjustment shim-2.765mm.....	32		
9	NCE 2542CA 9	Tappet adjustment shim-2.78mm.....	32		
9	NCE 2542CA 10	Tappet adjustment shim-2.795mm.....	32		
9	NCE 2542CA 11	Tappet adjustment shim-2.81mm.....	32		
9	NCE 2542CA 12	Tappet adjustment shim-2.825mm.....	32		
3	NCE 2542CA 13	Tappet adjustment shim-2.84mm.....	32		
9	NCE 2542CA 14	Tappet adjustment shim-2.855mm.....	32		
9	NCE 2542CA 15	Tappet adjustment shim-2.87mm.....	32		
9	NCE 2542CA 16	Tappet adjustment shim-2.885mm.....	32		
9	NCE 2542DA 1	Tappet adjustment shim-2.9mm.....	32		
9	NCE 2542DA 2	Tappet adjustment shim-2.915mm.....	32		



TB6140

CHANGE POINTS:

(1) From (V) 031303

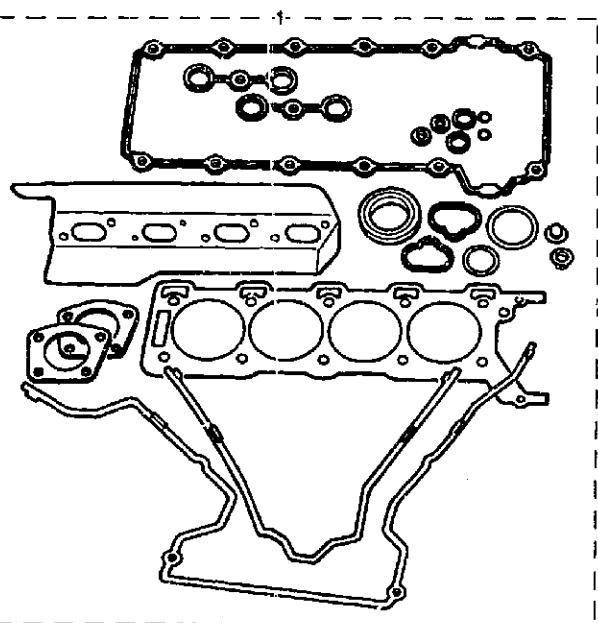
CYLINDER HEAD GASKET SET-4.0 LITRE-V8

Qty Part Number

Description

Quantity Change Point Remarks

1	JLM 12440	CYLINDER HEAD GASKET SET .....	1		(1)
	NCA 2578BB	• Spark plug boss seal-camshaft cover.....	4		
	NCA 2575CA	• Isolator-camshaft cover .....	28		
	NCA 3016BA	• Seal-inlet manifold.....	8		
	NCA 2268BC	• Water outlet seal-cylinder head .....	2		
	NCA 2269BC	• Seal-thermostat housing to cylinder head .....	1		
	EAZ 2050	• Gasket-downpipe to manifold.....	2		
	NCA 2906AD	• Exhaust manifold gasket-RH A-bank.....	1		
	NCA 2907AD	• Exhaust manifold gasket-LH B-bank.....	1		
	NCA 2126AC	• Timing cover seal-inner.....	1		
	NCA 2127AC	• Timing cover seal-outer.....	1		
	KSH 108024	• O-ring .....	2		
	NCA 2622AA	• Sealing ring .....	2		
	EAZ 2060	• Crankshaft oil seal-front.....	1		
	NCA 2515AD	• Camshaft cover gasket-RH A-bank .....	1		
	NCA 2516AD	• Camshaft cover gasket-LH B-bank.....	1		
	NCA 2540AD	• Cylinder head gasket-RH A-bank.....	1		
	NCA 2541AD	• Cylinder head gasket-LH B-bank.....	1		
	EAZ 1314	• Valve spring seat .....	32		



T3 6398

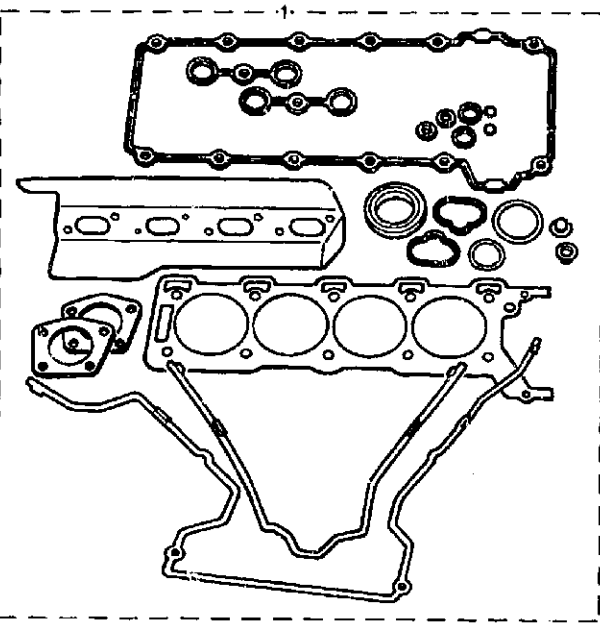
CHANGE POINTS:

(1) To (E) 9803240000



CYLINDER HEAD GASKET SET-4.0 LITRE-V8

Illus	Part Number	Description	Quantity	Change Point	Remarks
1	JLJ3 20750	CYLINDER HEAD GASKET SET .....	1	(1)	
	NCA 2578BB	• Spark plug boss seal-camshaft cover.....	4		
	NCA 2575CA	• Isolator-camshaft cover .....	28		
	NCA 3018BA	• Seal-inlet manifold .....	8		
	NCA 2268BC	• Water outlet seal-cylinder head .....	2		
	NCA 2269BC	• Seal-thermostat housing to cylinder head .....	1		
	EAZ 2050	• Gasket-downpipe to manifold .....	2		
	NCA 2128AC	• Timing cover seal-inner .....	1		
	NCA 2127AC	• Timing cover seal-outer .....	1		
	KSH 106624	• O-ring .....	2		
	NCA 2622AA	• Sealing ring .....	2		
	EAZ 2060	• Crankshaft oil seal-front .....	1		
	NCA 2515AD	• Camshaft cover gasket-RH A-bank .....	1		
	NCA 2516AD	• Camshaft cover gasket-LH B-bank .....	1		
	NCE 2528AC	• Valve spring seat .....	32		
	NCA 2908AE	• Exhaust manifold gasket-RH A-bank .....	1		
	NCA 2907AE	• Exhaust manifold gasket-LH B-bank .....	1		
	NCC 2540BC	• Cylinder head gasket-RH A-bank .....	1		
	NCC 2541BC	• Cylinder head gasket-LH B-bank .....	1		
	NNE 2525AA	• Valve seal-variable valve timing.....	2		



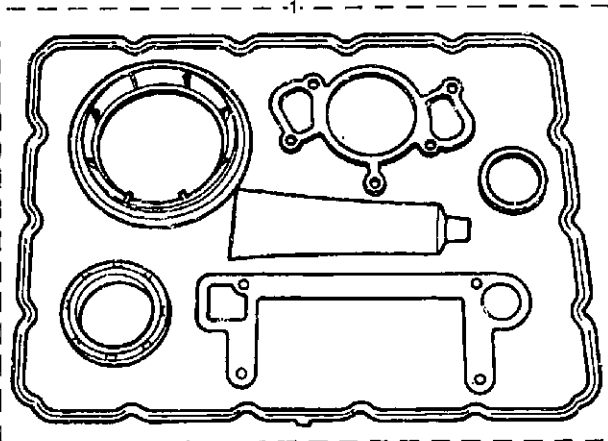
TB 8308

CHANGE POINTS:

(1) From (E) 9803250000

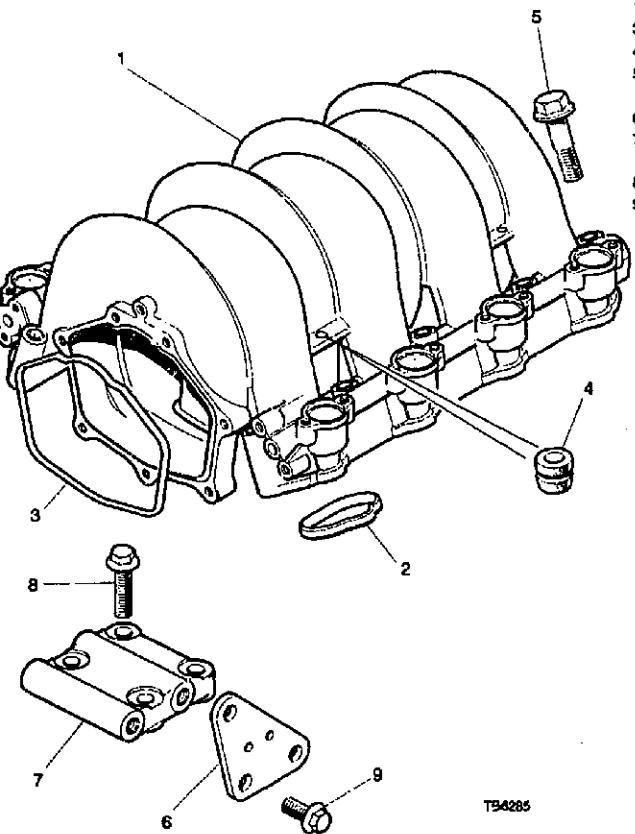
Qty	Part Number	Description	Quantity	Change Point	Remarks
1	JLM 20140	LOWER ENGINE GASKET SET .....	1		
	NCA 1746AB	• Oil seal-oil suction pipe .....	1		
	EAZ 2060	• Crankshaft oil seal-front.....	1		
	EAZ 2061	• Crankshaft oil seal-rear .....	1		
	NCA 2267AC	• Water pump gasket .....	1		
	NCA 1730AD	• Sump pan gasket.....	1		
	JLM 20163	• Sealant-50ml-RTV-syringe .....	1		
	NCE 1779AA	• Oil pump gasket-oil pump to cylinder block .....	1		

-1-



INLET MANIFOLD-4.0 LITRE-V8

Illus	Part Number	Description	Quantity	Change Point	Remarks
1	NCA 3002AE	INDUCTION MANIFOLD .....	1	(1)	
2	NCA 3016BB	• Seal-inlet manifold .....	8		
3	NCA 3015BA	• Seal-manifold to induction elbow .....	1		
4	NCA 3973AA	• Grommet .....	4	(2)	
1	NNE 3002CC	INDUCTION MANIFOLD .....	1		
3	NCA 3015BA	• Seal-manifold to induction elbow .....	1		
4	NCA 3973AA	• Grommet .....	4		
5	JFB 10814B	Flange head bolt-inlet manifold-M8 x 70mm.....	10		
6	NCA 3210BA	Support plate-cylinder head.....	2		
7	NCA 3209BA	Support bracket .....	1		
8	JFB 10807B	Mounting bracket bolt -flanged head-M8 x 35mm.....	4		
9	JFS 10820B	Flanged head screw-M8 x 20mm .....	6		



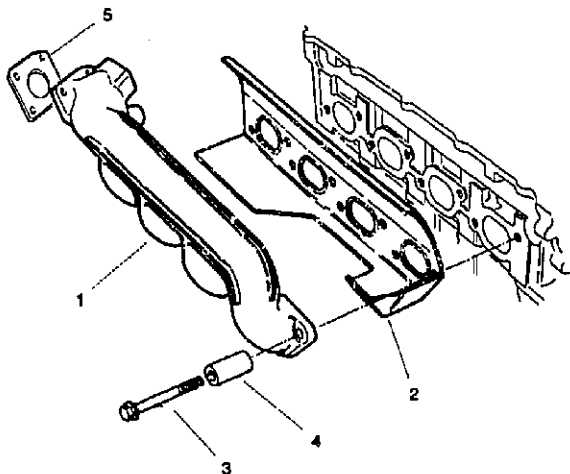
TB4285

CHANGE POINTS:

(1) To (V) 031302

(2) From (V) 031303

Illus	Part Number	Description	Quantity	Change Point	Remarks
	1 NCA 2900DA	Exhaust manifold-RH A-bank .....	1		
	1 NCA 2901DA	Exhaust manifold-LH B-bank .....	1	(1)	
	1 NCA 2901DB	Exhaust manifold-LH B-bank .....	1	(2)	
	2 NCA 2906AD	Exhaust manifold gasket-RH A-bank .....	1	(3)	
	2 NCA 2907AD	Exhaust manifold gasket-LH B-bank .....	1		
	2 NCA 2906AE	Exhaust manifold gasket-RH A-bank .....	1	(4)	
	2 NCA 2907AE	Exhaust manifold gasket-LH B-bank .....	1		
	3 JZB 1000B7	Flange head bolt-M8 x 65mm .....	16	(5)	
	4 NCA 2923AB	Spacer-manifold to cylinder head .....	16	(6)	
	3 AJB 1316	Flange head bolt-M8 .....	16		
	4 NCA 2923AC	Spacer-manifold to cylinder head .....	16		
	5 EAZ 2050	Gasket-downpipe to manifold .....	2		

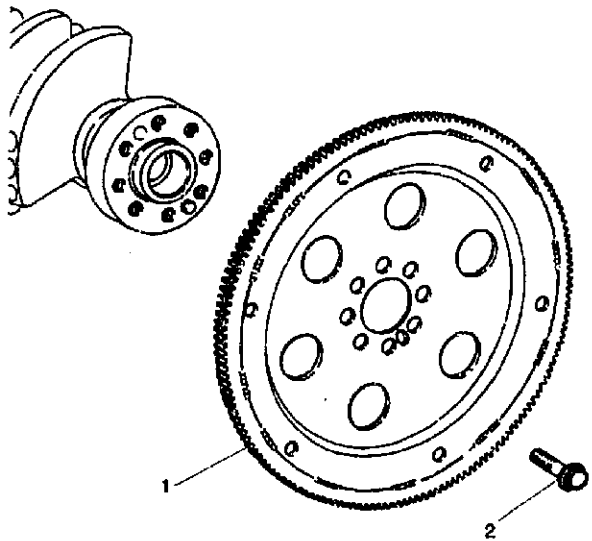


786137

CHANGE POINTS:

- (1) To (V) 018107
- (2) From (V) 018108
- (3) To (E) 9902040000
- (4) From (E) 9902050000
- (5) To (V) 031302
- (6) From (V) 031303

Plus	Part Number	Description	Quantity	Change Point	Remarks
1	NCA 1426CD	Drive plate-assembly .....	1		
2	JZB 100058	Bolt -drive plate to crankshaft .....	8	(1)	
2	JZB 100096	Bolt -drive plate to crankshaft .....	8	(2)	
	EAC 5580	Setscrew-drive plate to converter .....	3		



TB8268

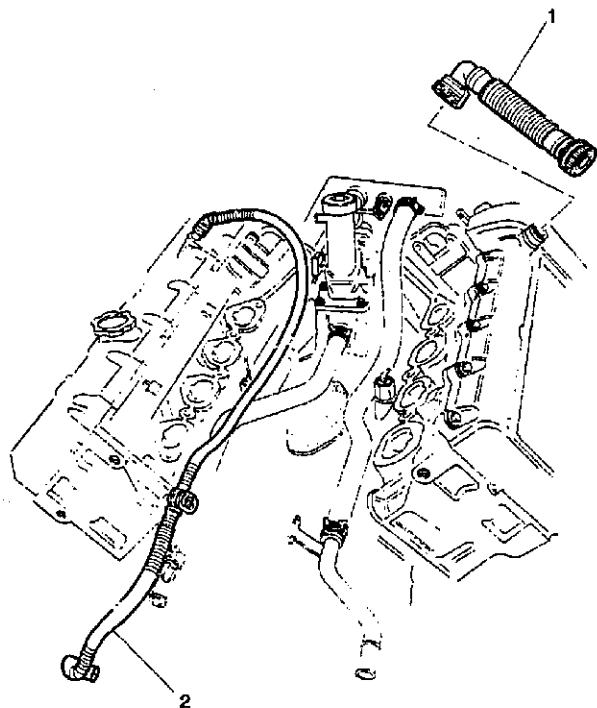
CHANGE POINTS:  
 (1) To (V) 031302  
 (2) From (V) 031303

MASTER INDEX	
ENGINE .....	1 D
ENGINE MANAGEMENT/EMISSION SYSTEMS .....	1 F
AIR AND FUEL DELIVERY SYSTEMS .....	1 G
ENGINE COOLING SYSTEM .....	1 H
EXHAUST SYSTEM AND COMPONENTS .....	1 I
TRANSMISSION AND DRIVELINE .....	1 J
STEERING AND SUSPENSION .....	1 K
BRAKING SYSTEM .....	1 M
AIR CONDITIONING/HEATING/VENTILATION .....	1 N
WIPER AND WASHER SYSTEMS .....	1 O
ELECTRICAL DISTRIBUTION SYSTEM .....	2 C
INFORMATION SYSTEMS AND CONTROLS .....	2 E
BATTERY/STARTER MOTOR/ALTERNATOR .....	2 F
IN CAR ENTERTAINMENT .....	2 G
LIGHTING - EXTERIOR/INTERIOR .....	2 H
LOCKING/SECURITY SYSTEMS/HORNS .....	2 I
SEATING .....	2 J
OCCUPANT RESTRAINTS .....	2 L
INTERIOR TRIM AND LININGS .....	2 M
EXTERIOR FITTINGS AND SUNROOF .....	3 C
BODY CLOSURES AND SEALING .....	3 D
BODY METAL PANELS AND SEALING .....	3 G
ACCESSORIES/CONSUMABLES/INDEX .....	3 H

GROUP INDEX	
CRANKCASE CONTROL SYSTEM .....	1. F 02
ENGINE HARNESSES AND WIRING .....	1. F 15
ENGINE MANAGEMENT CONTROL MODULE .....	1. F 08
EVAPORATIVE EMISSION CONTROL .....	1. F 03
EXHAUST GAS RECIRCULATION SYSTEM .....	1. F 14
IGNITION SYSTEM .....	1. F 10
SENSORS, SWITCHES AND RELAYS .....	1. F 11

BREATHER SYSTEM-4.0 LITRE-V8 .....	1. F 02
CARBON CANISTER AND PURGE CONTROL .....	1. F 03
CARBON CANISTER-4.0 LITRE-V8-TWIN .....	1. F 04
CARBON CANISTER-4.0 LITRE-V8-TWIN .....	1. F 06
CARBON CANISTER-4.0 LITRE-V8-TWIN .....	1. F 07
CONTROL MODULE HOUSING .....	1. F 09
ENGINE HARNESS .....	1. F 15
ENGINE SENSORS-4.0 LITRE-V8 .....	1. F 11
EXHAUST GAS RECIRCULATION VALVE AND .....	1. F 14
GEARBOX ELECTRONIC CONTROL .....	1. F 08
HEATED OXYGEN SENSOR-4.0 LITRE-V8 .....	1. F 13
INERTIA SWITCH .....	1. F 12
POWER AMPLIFIER, SPARK PLUG AND ON .....	1. F 10

Illus	Part Number	Description	Quantity	Change Point	Remarks
	1 NCA 3951CA	Engine breather hose .....	1		
	2 NCA 3201BA	Breather hose .....	1		



CARBON CANISTER AND PURGE CONTROL-4.0 LITRE-V8

Illus Part Number

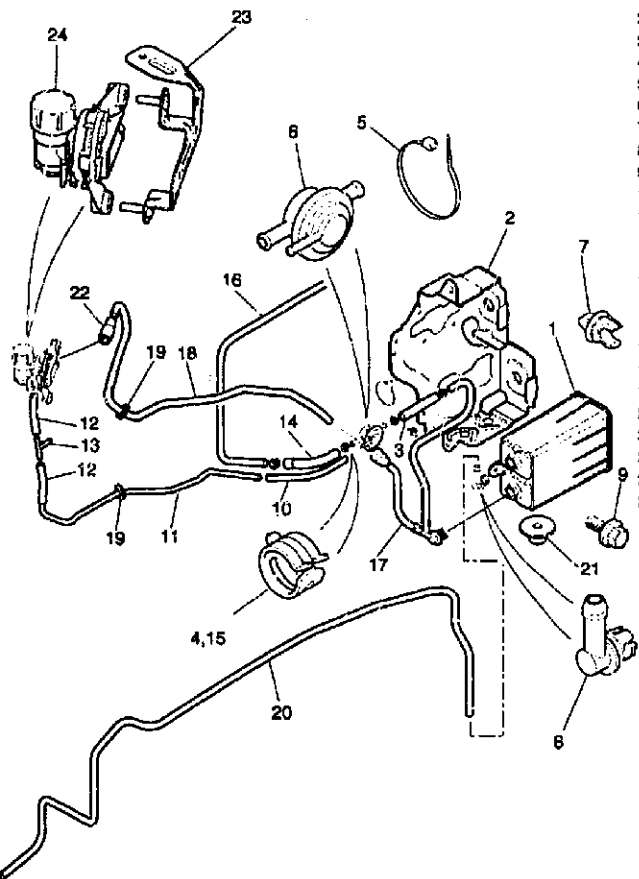
Description

Quantity Change Point Remarks

SINGLE SYSTEM-UNDER BONNET PURGE VALVE

THIS SYSTEM USED UP TO VIN 024686

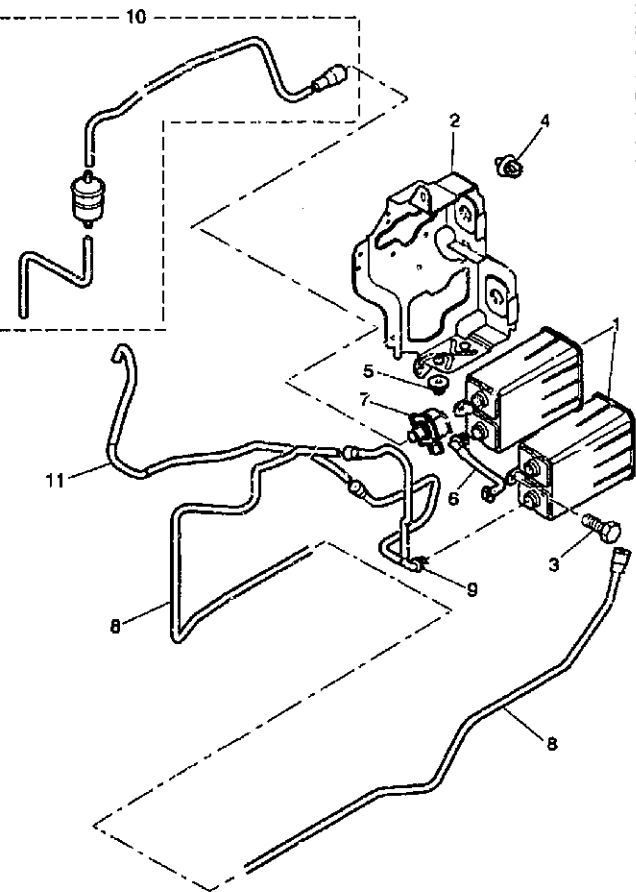
1	NJA 6110AA	Carbon canister .....	1
2	NJA 6108DB	Carbon canister mounting bracket.....	1
3	NJA 6068EA	Purge hose .....	1
4	CAC 8773	Hose clip.....	3
5	C 46294	Tie strap.....	2
6	CBC 7714	Pressure control valve .....	1
7	KDF 906001	Cable/pipe clip-0.375" diameter.....	2
8	EBC 10969	Canister purge inlet.....	1
9	FS 106101 J	Set screw.....	1
10	EAC 8022 36	Vacuum hose .....	1
11	NJA 8022BB	Vacuum pipe.....	1
12	EAC 8022 26	Hose .....	2
13	C 15644	T-piece .....	1
14	NJA 6070CC	Stepped hose.....	1
15	JHC 300320	Hose clip.....	3
16	NJA 6104Cd	Vapour pipe.....	1
17	NJA 6026CB	Feed hose connector-assembly.....	1
18	NJA 6089CC	Purge pipe .....	1
19	C 29302	Grommet.....	1
20	NJA 6107AB	Breather pipe .....	1
21	NJA 6024BA	Carbon canister mounting-rubber.....	2
22	NJA 6070BA 1	Stepped hose-purge valve to purge pipe .....	1
23	NJA 5978BA	Mounting bracket .....	1
24	LJA 1515AA	Purge control valve.....	1





CARBON CANISTER-4.0 LITRE-V8-TWIN SYSTEM

Mus.	Part Number	Description	Quantity	Change Point	Remarks
<b>TWIN SYSTEM-UNDER BONNET PURGE VALVE</b>					
1	NJA 8110AA	Carbon canister .....	2		
2	NJA 8158DC	Carbon canister mounting bracket.....	1		
3	JXR 10816F	Paint clearing screw.....	2		
4	KDF 808001	Cable/pipe clip-0.375" diameter.....	1		
5	NJA 8024BA	Carbon canister mounting-rubber.....	2		
6	NJB 8026BA	Vacuum pipe.....	1		
7	LJB 1525AA	Canister close valve.....	1		
8	NJA 8104CC	Vapour pipe-under floor.....	1		
9	NJB 8026AB	Tube connector-carbon canister.....	1		
10	NJB 8107AC	VAPOUR PIPE-ASSEMBLY.....	1		
	NJB 8092AA	• Filter .....	1		
11	NJA 8089CC	Purge pipe.....	1		



CARBON CANISTER TWIN SYSTEM-RUNNING LOSS

Illus Part Number

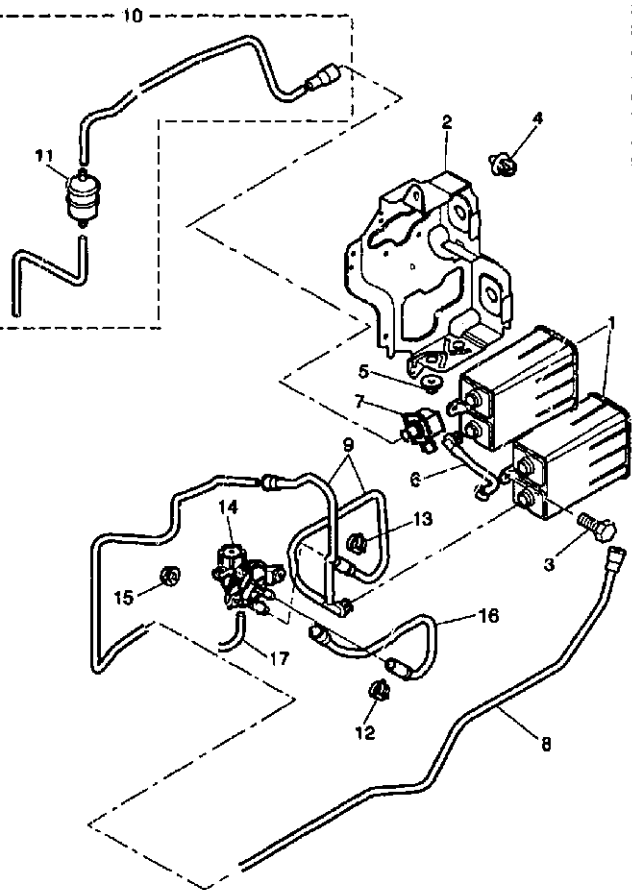
Description

Quantity Change  
Point

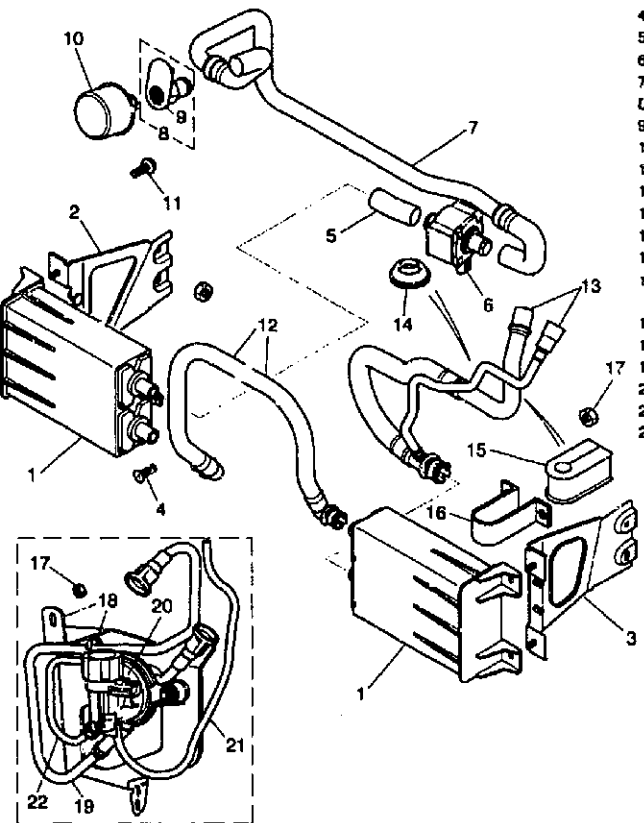
- 1 NJA 6110AA
- 2 NJB 6108AA
- 3 JXR 10616F
- 4 KDF 606001
- 5 NJA 6024BA
- 6 NJB 6028BA
- 7 LJB 1525AA
- 8 NJA 6104CD
- 9 NJB 6026DA
- 10 NJB 6107AC
- 11 NJB 6092AA
- 12 CAC 8777 1
- 13 JHC 300320
- 14 LJB 1515AA
- 15 JFN 10804F
- 16 NJB 6068AA
- 17 EAC 802230

TWIN SYSTEM-PURGE VALVE ON CARBON CAN BRKT

- Carbon canister..... 2
- Carbon canister mounting bracket..... 1
- Paint clearing screw..... 2
- Cable/pipe clip-0.375" diameter..... 3
- Carbon canister mounting-rubber..... 2
- Vacuum pipe..... 1
- Canister close valve..... 1
- Vapour pipe..... 1
- Vacuum pipe..... 1
- VAPOUR PIPE-ASSEMBLY..... 1
- \* Filter..... 1
- Hose clip..... 1
- Hose clip..... 1
- Purge control valve..... 1
- Flange nut..... 2
- Purge pipe..... 1
- Breather hose..... 1



CARBON CANISTER-4.0 LITRE-V8-TWIN SYSTEM ORVR



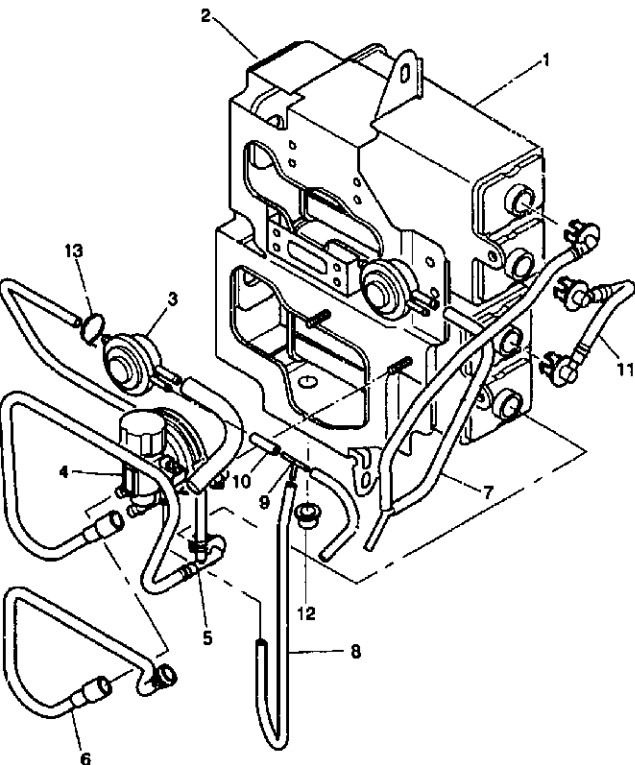
Mtr	Part Number	Description	Quantity	Change Point	Remarks
		<b>ON-BOARD REFUELING VAPOUR RECOVERY</b>			
1	N4B 8110AA	Carbon canister .....	2	] (1)	
2	NJC 8108AB	Carbon canister mounting bracket-RH.....	1		
3	NJC 8108BB	Carbon canister mounting bracket-LH.....	1		
4	A3U 2022	Paint clearing setscrew.....	2		
5	NJC 6068CA	Purge hose.....	1		
6	LJC 1525AB	Canister close valve.....	1		
7	NJC 8107AA	Breather pipe-canister to atmosphere.....	1		
7	NND 8124AC	MOUNTING BRACKET.....	1		
9	NND 8125AC	* Fuel filter adaptor.....	1		
10	NND 8092AA	Filter.....	1		
11	JFS 106207	Flange head screw.....	1		
12	NJC 6026BA	Vapour pipe.....	1		
13	NJC 6026AA	Vapour pipe-assembly.....	1		
14	NJC 5973AA	Grommet.....	1		
15	NJC 6024AA	Mounting-rubber.....	1		
16	NJC 5937AA	Clamp bracket.....	1		
		<b>VALVE LOCATED BEHIND LEFT FRONT WHEEL</b>			
17	JFN 10604E	Flange nut.....	7	] (1)	
18	NJC 5978AA	Mounting bracket.....	1		
19	NJC 6067AA	Vapour pipe.....	1		
20	LJB 1515AA	Purge control valve.....	1		
21	EAC 8022 32	Fuel hose.....	1		
22	NJB 6066AA	Purge pipe.....	1		

TD6800

CHANGE POINTS:

(1) From (V) 031303

CARBON CANISTER-4.0 LITRE-V8-TWIN SYSTEM-N/A-MEXICO



Illus	Part Number	Description	Quantity	Change Point	Remarks
1	NJA 8110AA	Carbon canister .....	3	(1)	
1	NJA 8110AA	Carbon canister .....	2	(2)	
2	NJB 8108BA	Carbon canister mounting bracket .....	1	(1)	
2	NJB 8108EA	Carbon canister mounting bracket .....	1	(2)	
3	CBC 7714	Pressure control valve .....	2		
4	LJB 1515AA	Purge control valve .....	1		
5	NJB 8026HA	Canister connector .....	1		
6	NJB 8068AA	Purge pipe .....	1		
7	NJB 8107GA	Breather pipe-canister to atmosphere .....	1		
8	EAC 8022 26	Hose .....	1		
9	C 15844	T-piece .....	1		
10	EAC 8022 1	Hose .....	1		
11	NJB 8026EA	Vacuum pipe .....	1		
12	NJA 8024BA	Carbon canister mounting-rubber .....	2		
13	C 48294	Tie strap .....	4		
	CAC 8777 1	Hose clip .....	2		
	KDF 808001	Cable/pipe clip-0.375" diameter .....	2		
	JXR 10618F	Paint clearing screw .....	2		
	JFN 10604E	Flange nut .....	2		

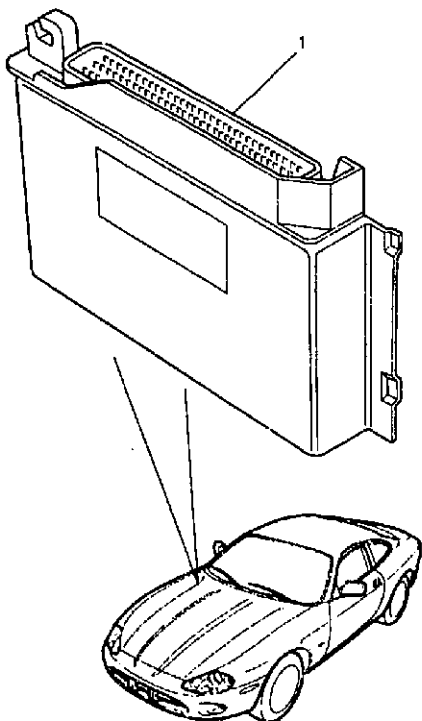
TD8799

CHANGE POINTS:

- (1) From (V) 019348 To (V) 024686
- (2) From (V) 024687

GEARBOX ELECTRONIC CONTROL MODULE-4.0 LITRE-V8

Qty	Part Number	Description	Quantity	Change Point	Remarks
1	LJA 2400EA	Transmission control module-programmed.....	1	(1)	
1	LJA 2401AB	Transmission control module-programmed.....	1	(2)	
1	LNC 2401AA	Transmission control module-blank unit-unprogrammed.....	1	(3)	Note (1);4.0 Litre
1	LNC 2401AB	Transmission control module-blank unit-unprogrammed.....	1	(4)	Note (1);Except 4.0 Litre
1	LNC 2401AC	Transmission control module-blank unit-unprogrammed.....	1	(5)	supercharged
1	LNE 2401AB	Transmission control module-blank unit-unprogrammed.....	1	(6)	
1	LNC 2401EA	Transmission control module-blank unit-unprogrammed.....	1	(7)	Note (1);4.0 Litre,Mexico
1	LNC 2401EB	Transmission control module-blank unit-unprogrammed.....	1	(8)	
	LJA 3890VA	Connector bracket-J-gate.....	1		



TC6573

CHANGE POINTS:

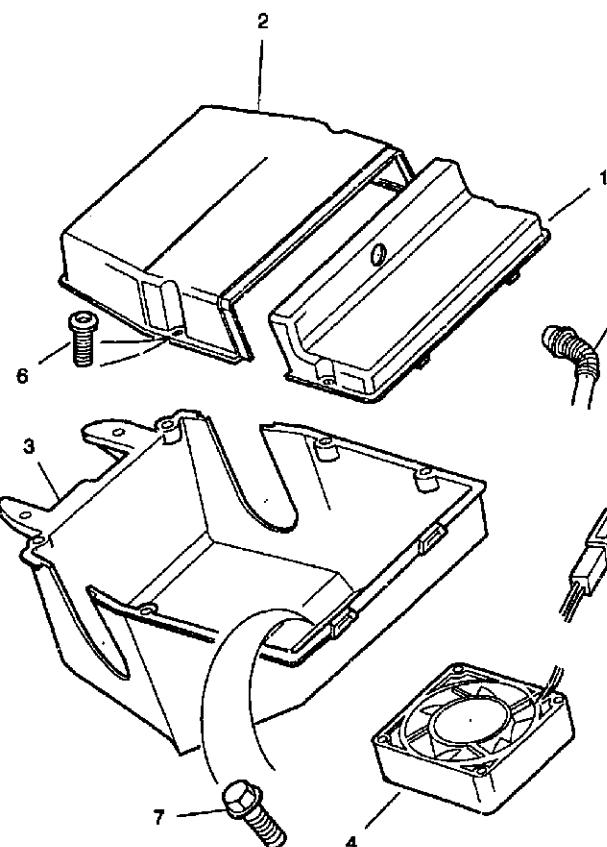
- (1) To (V) 009894
- (2) From (V) 009895 To (V) 018107
- (3) From (V) 018108 To (V) 023268
- (4) From (V) 023269 To (V) 030908
- (5) From (V) 030909 To (V) 031302
- (6) From (V) 031303
- (7) From (V) 018346 To (V) 023268
- (8) From (V) 023269

Remarks:

- (1) USE THE PORTABLE DIAGNOSTIC UNIT TO DETERMINE PART NUMBER SUFFIX

CONTROL MODULE HOUSING

Qty	Part Number	Description	Quantity	Change Point	Remarks
1	LJA 2410BB	Control module housing-rear -upper.....	1	(1)	
1	LJB 2410BA	Control module housing-rear -upper.....	1	(2)	
2	LJA 2410DB	Control module housing-front upper.....	1	(3)	
2	LJA 2410DC	Control module housing-front upper.....	1	(4)	
2	LJB 2410DA	Control module housing-front upper.....	1	(2)	
3	LJA 2410CD	Control module housing-lower .....	1	(3)	
3	LJA 2410CE	Control module housing-lower .....	1	(4)	
3	LJB 2410CA	Control module housing-lower .....	1	(2)	
	LNC 2410RA	Module mounting bracket.....	1	] (5).....	14.0 Litre supercharged
	LND 2410AB	Module mounting bracket.....	1		
	FN 109041 J	Flange nut-M6.....	1		
4	LJA 2412AC	Cooling fan-module.....	1	(1)	
	LJB 2412BA	Cooling fan-module.....	1	(2)	
	LJA 2413AA	Duct.....	1	] (2)	
	LJB 2413AA	Cooling duct -inlet.....	1		
	LJB 2413BB	Cooling duct -outlet.....	1		
	LJB 2414AA	Air duct grommet-blanking-driver's side.....	1		
	LJB 2410EB	Retaining bracket-1.....	1	] (2)	
	LJB 2410FB	Retaining bracket-2.....	1		
	JXA 10620B	Pan head torx screw-M6 x 20mm .....	6		
	FS 108251 J	Washer faced setscrew.....	4		
	FS 106141 J	Flanged head screw .....	2	(1)	
	FS 106165 P	Flange head screw .....	2	(2)	



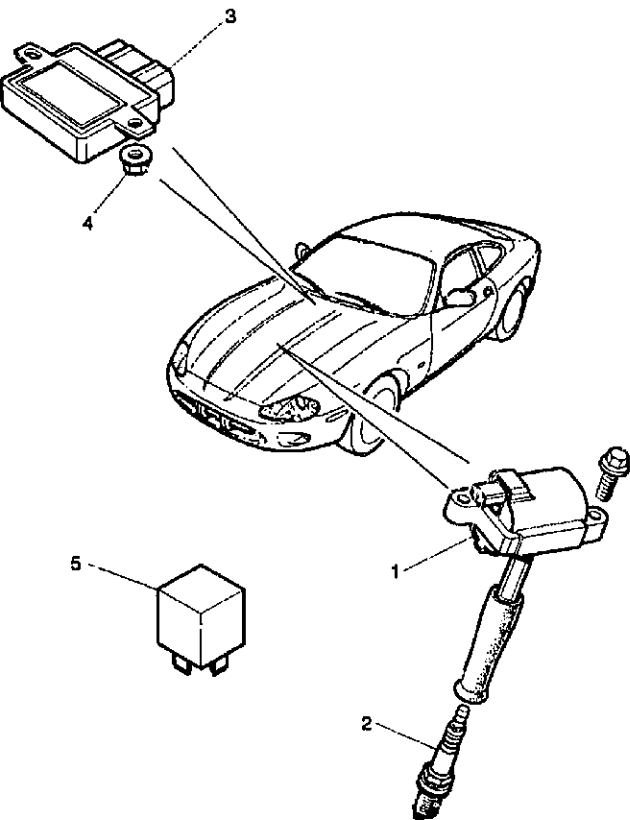
CHANGE POINTS:

- (1) To (V) 024886
- (2) From (V) 024687
- (3) To (V) 024011
- (4) From (V) 024012 To (V) 024686
- (5) From (V) 031303

TM6259

POWER AMPLIFIER, SPARK PLUG AND ON PLUG COIL-4.0 LITRE-V8

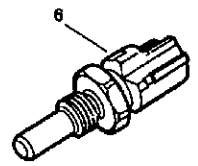
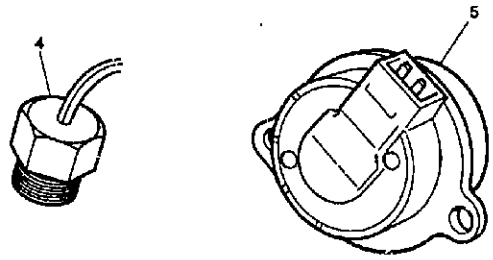
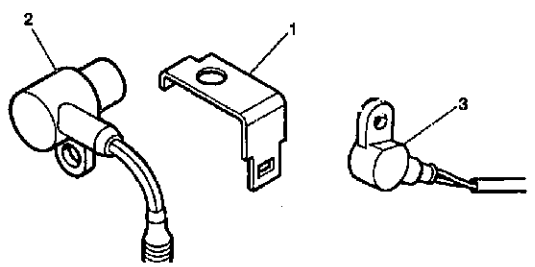
Illus	Part Number	Description	Quantity	Change Point	Remarks
	1 LCA 1510AB	On plug ignition coil .....	8		
	2 NCA 3850EA 1	Spark plug .....	8		
	2 NCA 3850GA 1	Spark plug-unleaded fuel-double-Platinum-grade 5 .....	8		..... 4.0 Litre
	2 NCA 3850HA 1	Spark plug-unleaded fuel-double-Platinum-grade 6 .....	8		..... Except 4.0 Litre supercharged
	2 NCA 3850HA 2	Spark plug-unleaded fuel-double-Platinum .....	8		(1)..... 4.0 Litre supercharged
	JFS 10520B	Flanged head screw .....	16		
	3 LJA 1450AF	ignition power module.....	2		
	4 JFY 106041	Nut-M6 .....	4		
	5 LJA 6703AA	Relay-brown .....	A/R		



TC6287

CHANGE POINTS:  
(1) From (V) 031303

Qty	Part Number	Description	Quantity	Change Point	Remarks
1	LJA 3890PD	Sensor mounting bracket.....	1		
2	LCA 1640AE	Engine speed sensor-ump.....	1	(1)	
2	AJB 1284	Crankshaft speed sensor.....	1	(2)	
3	LCA 1646AD	Camshaft position sensor-cylinder head.....	1	(1)	
3	LRA 1646DB	Camshaft position sensor-RH A-bank.....	1	(2).....	] Except 4.0 Litre supercharged
3	LRA 1646BC	Camshaft position sensor-LH B-bank.....	1		
4	LCA 1692AD	Knock sensor.....	2	(3)	
4	LCA 1692AE	Knock sensor.....	2	(4)	
5	LCA 1535AD	Control valve-variable valve timing.....	2		
	JFS 10616B	Flange head screw-M6 x 16mm.....	2		
6	LNA 1800AA	Coolant temperature sensor.....	1		
	JXA 10620B	Pan head torx screw-M6 x 20mm.....	1		
	JWV 110003	Sealing washer.....	1	(5)	
	JWV 110004	Sealing washer.....	1	(6)	
	JZS 100785	Flanged hexagonal dog pointed screw-M6 x 20mm.....	1		



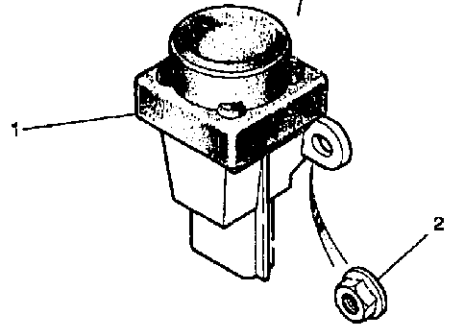
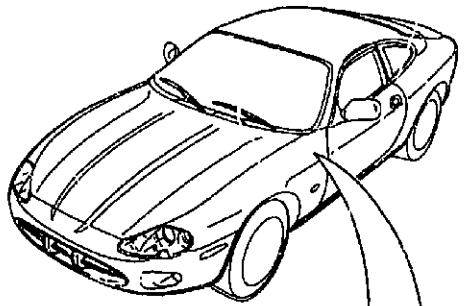
TC8545

CHANGE POINTS:  
 (1) To (V) 031302  
 (2) From (V) 031303  
 (3) To (V) 014467  
 (4) From (V) 014468  
 (5) To (V) 023162  
 (6) From (V) 023163



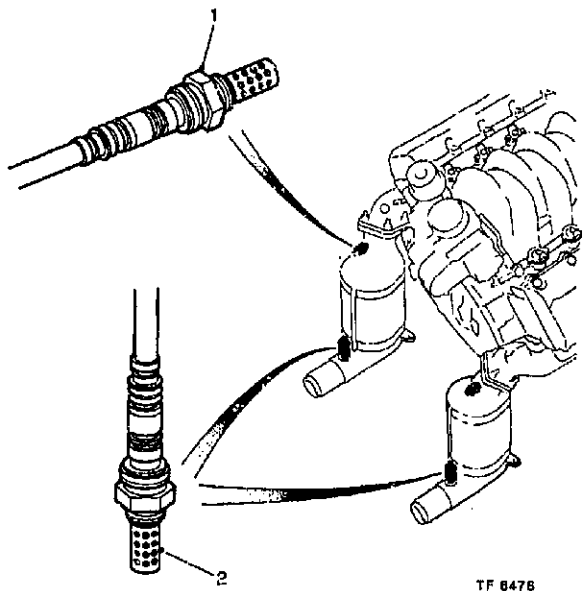
INERTIA SWITCH

Ilus	Part Number	Description	Quantity	Change Point	Remarks
1	LNA 0520BA	Inertia switch-RH .....	1		
2	JLM 11988	Nyloc nut.....	1		



HEATED OXYGEN SENSOR-4.0 LITRE-V8

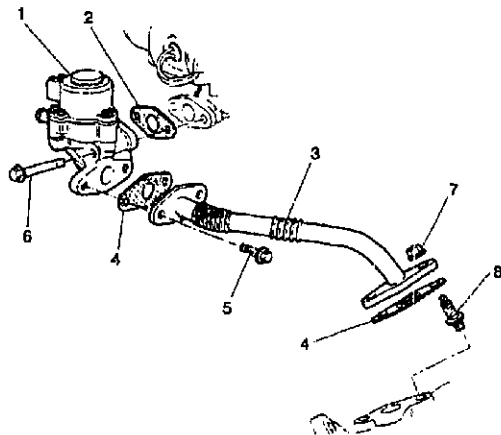
Ilus	Part Number	Description	Quantity	Change Point	Remarks
1	LJA 1682AE	Heated oxygen sensor.....	2		} OBD II
2	LJA 1680AE	Oxygen sensor.....	2		
	KCS 200460	Tie strap-non release.....	2		



TF 6476

EXHAUST GAS RECIRCULATION VALVE AND PIPES

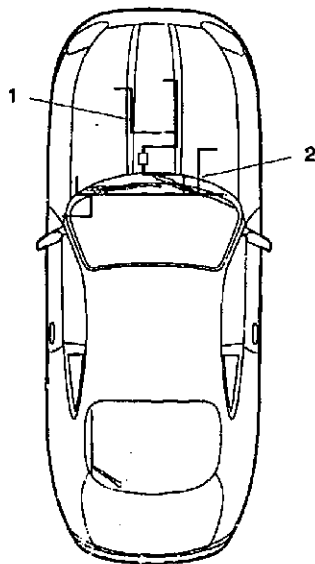
Illus	Part Number	Description	Quantity	Change Print	Remarks
1	LCA 1550AE	Exhaust gas recirculation valve .....	1		
2	NCA 4771CA	Exhaust gas recirculation pipe gasket .....	1		
3	NCA 4785BA	Exhaust gas recirculation pipe .....	1		
4	NCA 4771BC	Exhaust gas recirculation pipe gasket .....	2		
5	JFS 108207	Hexagon head screw-M8 x 20mm .....	2		
6	JFB 10812E	Bolt -M8 .....	2		
7	JFN 10804B	Flanged nut .....	2		
8	JZC 100027	Stud .....	2		



TC8226

ENGINE HARNESS

Illus	Part Number	Description	Quantity	Change Point	Remarks
	1 LCA 3320AH	Engine harness.....	1	(1)	
	1 LCC 3320AC	Engine harness.....	1	(2)	
	1 LCC 3320CC	Engine harness.....	1	(3)	4.0 Litre supercharged
	2 LJA 3350AF	Engine management harness.....	1	(4)	
	2 LJA 3350AH	Engine management harness.....	1	(5)	
	2 LJB 3350AE	Engine management harness.....	1	(6)	
	2 LJB 3350AK	Engine management harness.....	1	(7)	
	2 LJB 3350AJ	Engine management harness.....	1	(8)	Heated windscreen; except 4.0
	2 LJC 3350AF	Engine management harness.....	1	(3)	Litre supercharged
	2 LJB 3350EB	Engine management harness.....	1	(8)	Except heated windscreen and 4.0
	2 LJC 3350EC	Engine management harness.....	1	(3)	Litre supercharged
	2 LJC 3350GB	Engine management harness.....	1	(3)	4.0 Litre supercharged; except heated windscreen

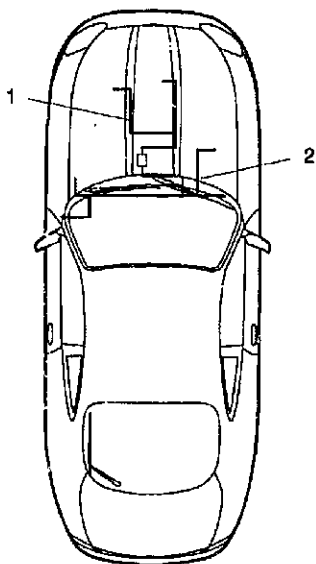


TMS157

CHANGE POINTS:

- (1) To (V) 018107
- (2) From (V) 018108
- (3) From (V) 031303
- (4) To (V) 012648
- (5) From (V) 012648 To (V) 018107
- (6) From (V) 018108 To (V) 022319
- (7) From (V) 022320 To (V) 024686
- (8) From (V) 024687 To (V) 031302

ENGINE HARNESS



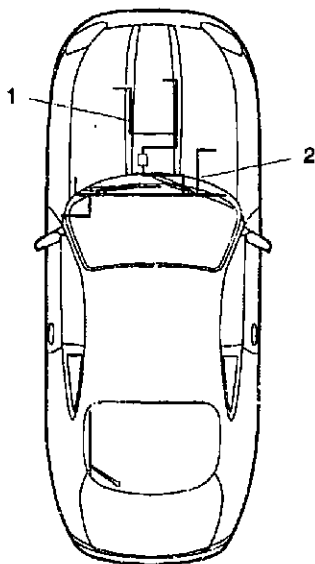
TM6157

Illustration	Part Number	Description	Quantity	Change Point	Remarks
	JFY 106C41	Nut-M6.....	4		
	LJA 6743AA	Relay bracket.....	2		
	LJA 3896BB	Connector bracket-assembly.....	1	(1)	
	LJA 3896BC	Connector bracket-assembly.....	1	(2)	
	LJC 3896AA	Connector bracket-assembly.....	1	(3).....	Except 4.0 Litre supercharged
	LJA 3890SB	Harness bracket-RH-front screen.....	1	(4)	
	LJA 3890SC	Harness bracket-RH-front screen.....	1	(5)	
	LJA 3890TB	Harness bracket-LH-front screen.....	1		
	LJA 3836AA	Harness shield-RH.....	1		
	LJA 3037AA	Harness shield-LH.....	1		
	LJA 3832CB	Harness shield-engine harness.....	1		
	LJA 3832DB	Harness shield-engine harness.....	1		
	FN 106041 J	Flange nut-M6.....	2		
	AGU 2022	Paint clearing setscrew.....	3		
	AGU 2020	Torx head screw-M6.....	4	(6)	
	JXR 10616F	Paint clearing screw.....	4	(7)	
	KZN 100006	Push-on nut.....	1	(3).....	4.0 Litre supercharged
	FS 108161 J	Flange screw-M8.....	2		
	DBC 10562	Tertiary/pressure switch bracket.....	1	(8)	
	ADU 9028	Tie strap-7.75" long.....	3		
	BD 48964	Paint clearing screw.....	6		
	DBC 10203	Cable clip.....	1		
	LNA 3850DA	Adhesive pad-blanking.....	1		

CHANGE POINTS:

- (1) To (V) 005530
- (2) From (V) 005531 To (V) 031302
- (3) From (V) 031303
- (4) To (V) 006647
- (5) From (V) 006648
- (6) To (V) 001149
- (7) From (V) 001150
- (8) To (V) 003329

ENGINE HARNESS



TM6157

Illus	Part Number	Description	Quantity	Change Point	Remarks
	LJA 3355AD	Engine harness link lead .....	1	(1)	
	LJA 3355AE	Engine harness link lead .....	1	(2)	
	LJB 3355DB	Engine harness link lead .....	1	(3)	
	LJC 3355DB	Engine harness link lead .....	1	(4)	
	LJA 3355CD	Engine harness link lead .....	1	(5).....	] Speed control
	LJB 3355CA	Engine harness link lead .....	1	(6).....	
	LJA 3355DB	Engine harness link lead .....	1	(7).....	] Except speed control
	LJB 3355BA	Engine harness link lead .....	1	(8).....	
	LJC 3355CD	Engine harness link lead .....	1	(4).....	
	LCC 3335AB	Engine harness link lead-A-bank-injector .....	1	] (4).....	] 4.0 Litre supercharged
	LCC 3335BB	Engine harness link lead-B-bank-injector .....	1		
	LJA 3325AC	Link lead-block heater to bumper.....	1	] (9).....	] Engine block heater
	LJA 3325AD	Link lead-block heater to bumper.....	1		
	LJA 3325BB	Link lead-bumper to mains supply.....	1		
	JLM 20657	Harness clip kit .....	1		
	KAC 100012	Hose clip.....	1		
	KDP 207090	Plastic clip.....	1		..... Except speed control

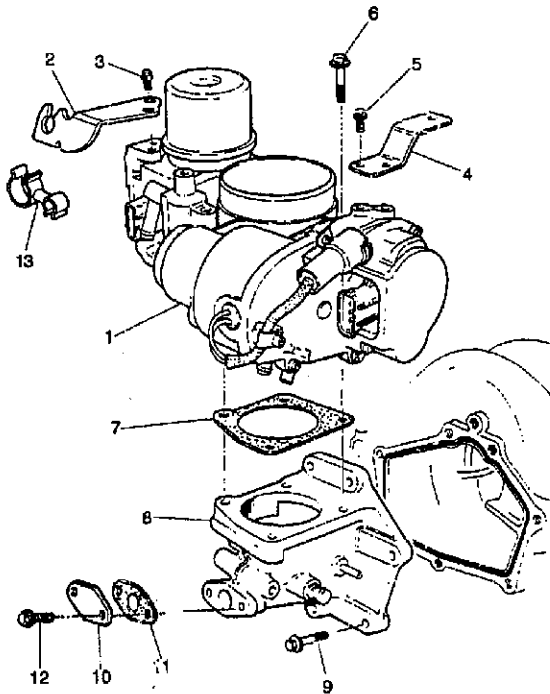
CHANGE POINTS:

- (1) To (V) 003329
- (2) From (V) 003330 To (V) 024686
- (3) From (V) 024637 To (V) 031302
- (4) From (V) 031303
- (5) To (V) 018107
- (6) From (V) 018108
- (7) To (V) 022319
- (8) From (V) 022320 To (V) 031302
- (9) To (V) 031302

MASTER INDEX	GROUP INDEX	
ENGINE ..... 1 D		
ENGINE MANAGEMENT/EMISSION SYSTEMS ..... 1 F	AIR DELIVERY SYSTEM COMPONENTS ..... 1. G 02	ACCELERATOR PEDAL ASSEMBLY-LHD ..... 1. G 06
AIR AND FUEL DELIVERY SYSTEMS ..... 1 G	AIRCLEANERS AND HOSES ..... 1. G 04	AIR FLOW METER AND HOSES-4.0 LITRE-V8. 1. G 05
ENGINE COOLING SYSTEM ..... 1 H	FUEL FILLER FIXTURES AND FITTINGS ..... 1. G 08	AIRCLEANER-4.0 LITRE-V8 ..... 1. G 04
EXHAUST SYSTEM AND COMPONENTS ..... 1 I	FUEL PIPES AND HOSES ..... 1. G 07	FUEL FEED AND RETURN PIPES/FILTER ..... 1. G 07
TRANSMISSION AND DRIVELINE ..... 1 J	FUEL TANK ..... 1. G 09	FUEL FILLER AND CAP ..... 1. G 08
STEERING AND SUSPENSION ..... 1 K	INJECTORS AND PIPES ..... 1. G 17	FUEL INJECTORS AND REGULATOR-4.0 ..... 1. G 17
BRAKING SYSTEM ..... 1 M	SPEED CONTROL SYSTEM ..... 1. G 18	FUEL TANK MOUNTINGS-4.0 LITRE-V8 ..... 1. G 16
AIR CONDITIONING/HEATING/VENTILATION ..... 1 N	THROTTLE PEDAL AND LINKAGE ..... 1. G 06	FUEL TANK-4.0 LITRE-V8-NON RUNNING ..... 1. G 12
WIPER AND WASHER SYSTEMS ..... 1 O		FUEL TANK-4.0 LITRE-V8-RUNNING LOSS ..... 1. G 09
ELECTRICAL DISTRIBUTION SYSTEM ..... 2 C		SPEED CONTROL EQUIPMENT ..... 1. G 18
INFORMATION SYSTEMS AND CONTROLS ..... 2 E		THROTTLE BODY-4.0 LITRE-V8 ..... 1. G 02
BATTERY/STARTER MOTOR/ALTERNATOR ..... 2 F		VAPOUR PIPES IN TRUNK-4.0 LITRE-V8 ..... 1. G 15
IN CAR ENTERTAINMENT ..... 2 G		
LIGHTING - EXTERIOR/INTERIOR ..... 2 H		
LOCKING/SECURITY SYSTEMS/DOORS ..... 2 I		
SEATING ..... 2 J		
OCCUPANT RESTRAINTS ..... 2 L		
INTERIOR TRIM AND LININGS ..... 2 M		
EXTERIOR FITTINGS AND SUNROOF ..... 3 C		
BODY CLOSURES AND SEALING ..... 3 D		
BODY METAL PANELS AND SEALING ..... 3 G		
ACCESSORIES/CONSUMABLES/INDEX ..... 3 H		

THROTTLE BODY-4.0 LITRE-V8

Illus	Part Number	Description	Quantity	Change Point	Remarks
	1	LCC 1560AA Throttle body-electronic.....	1		
	2	NCA 3210GA Abutment bracket.....	1	(1)	
	2	AJB 1343 Abutment bracket.....	1	(2)	
	3	JFS 10512C Flange head screw-M5 x 12mm.....	2		
	4	NCA 3227AB Throttle linkage bracket.....	1		
	5	JFS 10512C Flange head screw-M5 x 12mm.....	2		
	6	JFB 10808B Hexagonal head flanged bolt.....	4		
	7	NCA 3021BA Gasket-throttle body adaptor.....	1		
	8	NCA 3106BC Induction elbow-inlet manifold.....	1	(3)	
	8	NCA 3106BD Induction elbow-inlet manifold.....	1	(4)	
	9	JFS 10830B Screw-M8 x 30mm.....	7		
	10	NCA 3052AB Blanking plate-inlet manifold.....	1	(5)	
	11	NCA 4771CA Exhaust gas recirculation pipe gasket.....	1		
	12	JFS 108207 Hexagon head screw-M8 x 20mm.....	2		
	13	KDP 210200 Swivel clip.....	1		



TD6738

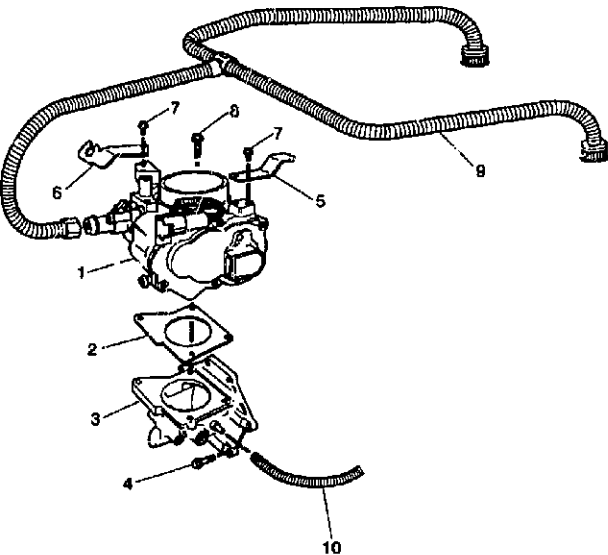
CHANGE POINTS:

- (1) To (V) 018107
- (2) From (V) 018108
- (3) To (V) 023162
- (4) From (V) 023163 To (V) 031302
- (5) To (V) 031302



THROTTLE BODY-AIR ASSISTED FUEL INJECTION

Misc	Part Number	Description	Quantity	Change Point	Remarks
1	LNE 1560AD	Throttle body-electronic.....	1	(1) ..... EGR ..... Except EGR	
2	NNE 3021AC	Gasket-throttle body adaptor.....	1		
3	NNE 3106AC	Induction elbow-inlet manifold.....	1		
3	AJ8 1387	Induction elbow-inlet manifold.....	1		
4	JFS 10830B	Screw-M8 x 30mm.....	7		
5	NCA 3227AC	Throttle linkage bracket.....	1		
6	AJ8 1343	Abutment bracket.....	1		
7	JFS 10512C	Flange head screw-M5 x 12mm.....	4		
8	JFB 10808B	Hexagonal head flanged bolt.....	1		
9	AJ8 1211	Moulded air hose-inlet manifold-plenum.....	1		
10	AJ8 1281	Throttle elbow hose-3.3mm diameter.....	1		

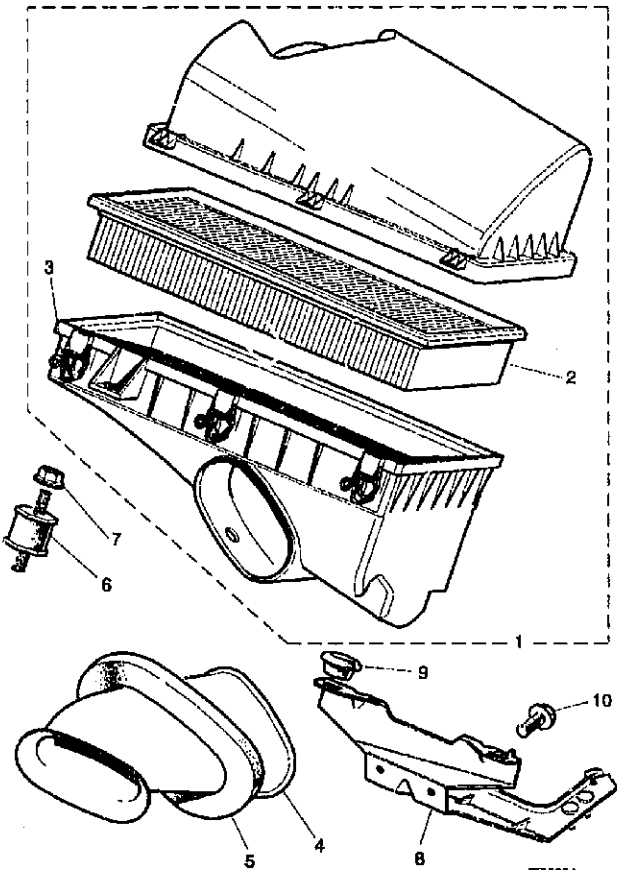


T06798

CHANGE POINTS:  
(1) From (V) 031303

Illus	Part Number
1	NJA 3500BB
2	NJA 3558AA
3	NAB 3511AA
1	NJC 3500AA
2	NJA 3558AA
3	NAB 3511AA
4	NJA 3510AA
5	NJA 3541AA
6	EAC 8130
7	JXR 10630F
8	NJA 3557AA
8	NJA 3515AB
9	NBC 3530AA
10	FS 106165J

Description	Quantity	Change Point	Remarks
AIRCLEANER.....	1	(1)	
• Aircleaner element .....	1		
• Clip .....	5		
AIRCLEANER.....	1	(2)	
• Aircleaner element .....	1		
• Clip .....	5		
Air intake tube.....	1		
Seal-valance to intake tube .....	1		
Instrument.....	1		
Flange head screw .....	1		
Aircleaner mounting bracket.....	1		..... Premium sound
Aircleaner mounting bracket.....	1		..... Except premium sound
Grommet.....	2		
Setcrew.....	2		

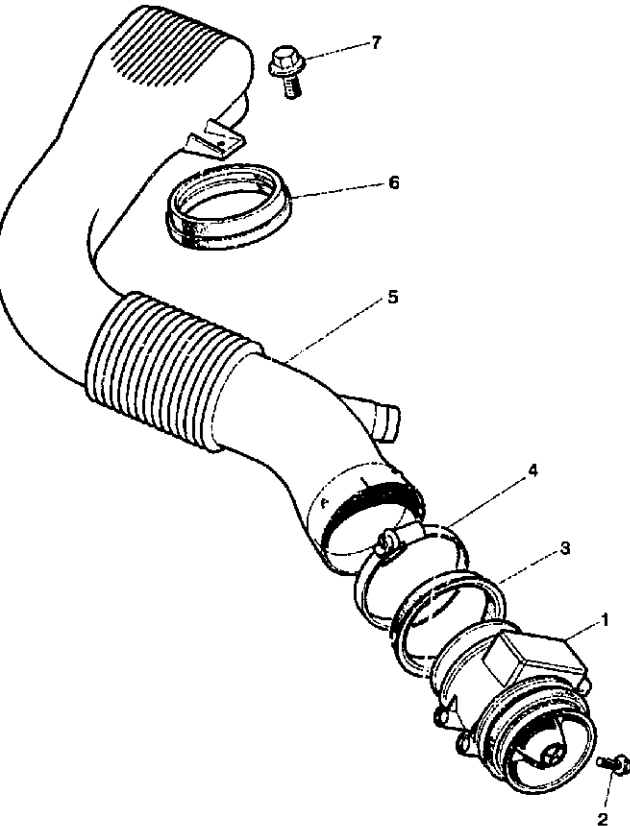


TD6291

CHANGE POINTS:  
 (1) To (V) 031302  
 (2) From (V) 031303

AIR FLOW METER AND HOSE 3.4.0 LITRE-V8

Illus	Part Number	Description	Quantity	Change Point	Remarks
1	LJA 1620AE	Air flow sensor .....	1	(1)	
1	LINE 1620CA	Air flow sensor .....	1	(2)	
2	JFS 108127	Flange head screw .....	3		
3	NJA 3553AA	Duct seal .....	1		
4	JHC 201401	Worm drive hose clip .....	1		
5	NJA 3555AC	Air pipe-inlet .....	1	(1)	
5	NNE 3555AB	Air pipe-inlet .....	1	(2)	
6	NJA 3554AA	Duct seal .....	1		
7	FS 108165J	Set screw .....	1		



TD6292

CHANGE POINTS:  
(1) To (V) 031302  
(2) From (V) 031303

ACCELERATOR PEDAL ASSEMBLY-LHD

Illus Part Number

Description

Quantity

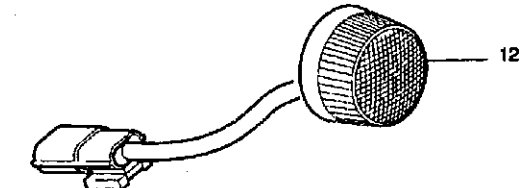
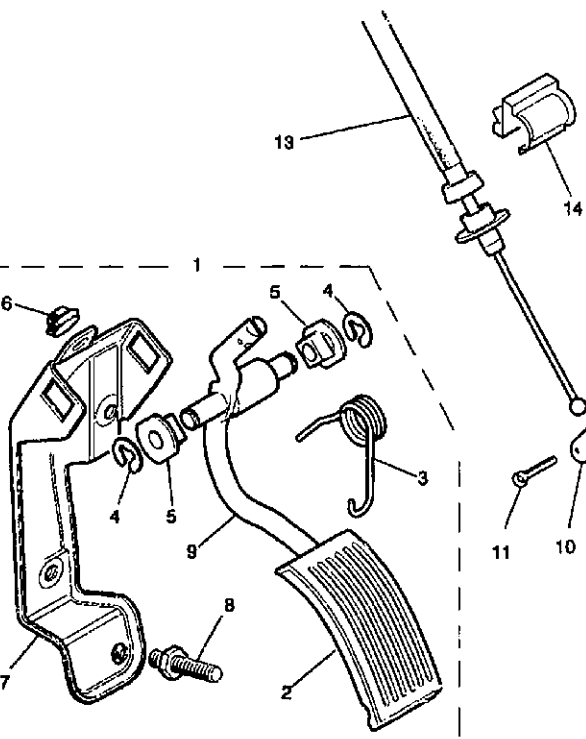
Change Point

Remarks

- 1 MJA 4700BE
- 2 MJA 5383AA
- 3 MJA 4715BB
- 4 C 33600 1
- 5 MJA 4713AA
- 6 BD 21899
- 7 MJA 4710BA
- 8 DAC 10997
- 9 MJA 5380BE
- 1 MJC 4700BA
- 2 MJA 5383AA
- 3 MJA 4715BB
- 4 C 33600 1
- 5 MJA 4713AA
- 6 BD 21899
- 7 MJA 4710BA
- 8 LJC 8571AA
- 9 MJA 5380BE
- 10 CAC 5328
- 11 PS 605071
- 12 DBC 10854
- 12 LJC 8570AA
- 13 MJA 4620BD
- 14 JEP 110002

- ACCELERATOR PEDAL -ASSEMBLY..... 1
- Accelerator pedal pad..... 1
- Accelerator pedal return spring ..... 1
- Bearing circlip ..... 2
- Bush-accelerator pedal..... 2
- Blanking plug..... 1
- Accelerator pivot bearing bracket-LH ..... 1
- Switch mounting stud ..... 1
- Accelerator pedal ..... 1
- ACCELERATOR PEDAL..... 1
- Accelerator pedal pad..... 1
- Accelerator pedal return spring ..... 1
- Bearing circlip ..... 2
- Bush-accelerator pedal..... 2
- Blanking plug..... 1
- Accelerator pivot bearing bracket-LH ..... 1
- Switch mounting stud ..... 1
- Accelerator pedal ..... 1
- Accelerator cable retainer..... 1
- Split pin-accelerator linkage..... 1
- Kickdown switch..... 1
- Kickdown switch..... 1
- Accelerator cable ..... 1
- Cable clip..... 1

- (1)
- (2)
- (1)
- (2)

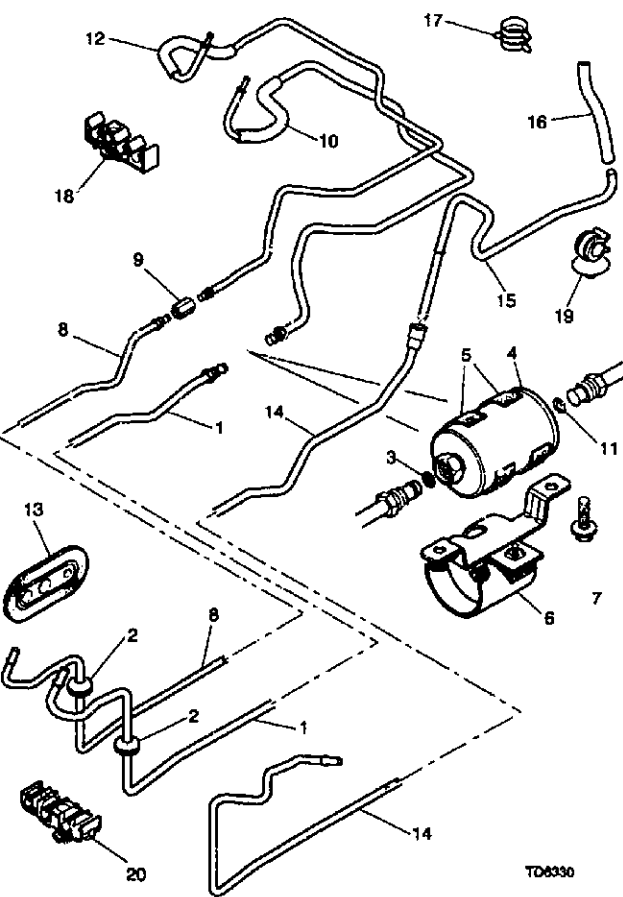


TD8263A

CHANGE POINTS:

- (1) To (V) 031302
- (2) From (V) 031303

FUEL FEED AND RETURN PIPES/FILTER



Qty Part Number

1	NJA 5898CB
2	C 29302
3	CAC 8962 2
4	NMD 8091AC
5	CBC 8156
6	NJA 6066AC
7	FS 106165J
8	NJA 6001DC
8	NJC 6001AA
9	NJA 6522CB
10	NJA 5898BB
11	CAC 8968 2
12	NJA 6001CB
12	NJC 6001BA
13	NJB 5973AA
13	NJC 5973CA
14	NJA 6104CB
15	NJA 6069AC
15	NJB 6069AC
16	NNA 6068KA 8
17	JHC 300320
18	KDH 605064
19	DBC 10203
20	EBC 9072

Description

Fuel feed pipe .....	1
Grommet .....	2
O-ring .....	1
Fuel filter .....	1
Mounting bracket insulation .....	2
Fuel filter mounting bracket .....	1
Set screw .....	1
Fuel return pipe .....	1
Fuel return pipe .....	1
Connector .....	1
Fuel feed pipe .....	1
O-ring .....	1
Fuel return pipe .....	1
Fuel return pipe .....	1
Fuel pipe grommet .....	1
Fuel pipe grommet .....	1
Vapour pipe .....	1
Vapour pipe .....	1
Vapour pipe .....	1
Purge hose .....	1
Hose clip .....	2
Treble pipe clip .....	9
Cable clip .....	1
Clip .....	1

Quantity Change Point Remarks

(1)

(2)

(1)

(2)

(1)

(2)

(1)

(3)

(4)

TD6330

CHANGE POINTS:

- (1) To (V) 031302
- (2) From (V) 031303
- (3) To (V) 024686
- (4) From (V) 024687

FUEL FILLER AND CAP

Ilus Part Number

- 1 HJA 3107AB
- 2 JXR 10620F
- 3 HNA 3106AA
- 4 HJA 3089AA
- 5 HJA 3098AD
- 6 JHC 50140I
- 7 JHC 300320
- 8 BCC 6322
- 9 CAC 8774
- 10 NJA 5942AC

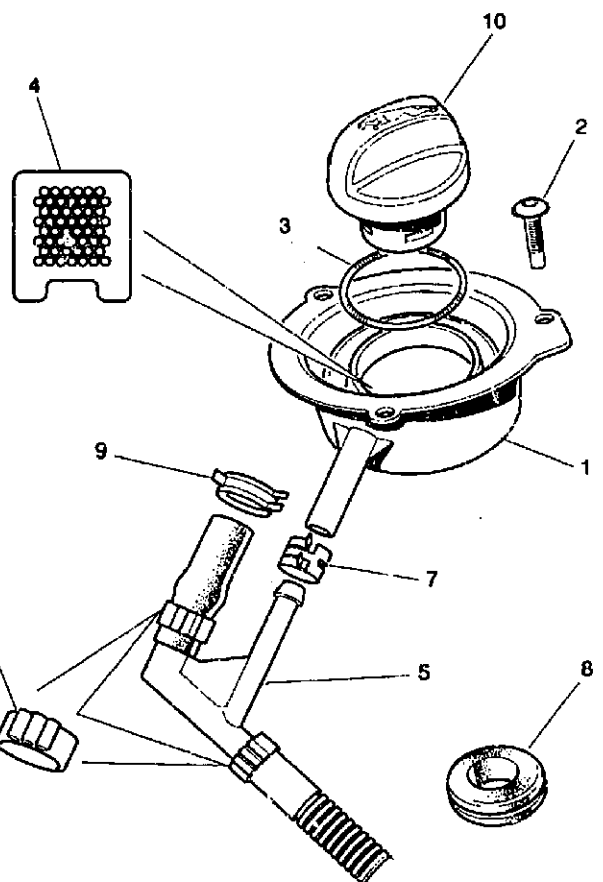
Description

- Fuel filler gaiter-assembly..... 1
- Paint clearing setscrew-torx head..... 3
- Spring..... 1
- Filter-fuel filler -drain ..... 1
- Fuel filler drain tube..... 1
- Hose clip..... 2
- Hose clip..... 1
- Drain tube grommet -rear ..... 1
- Hose clip..... 1
- Fuel filler cap..... 1

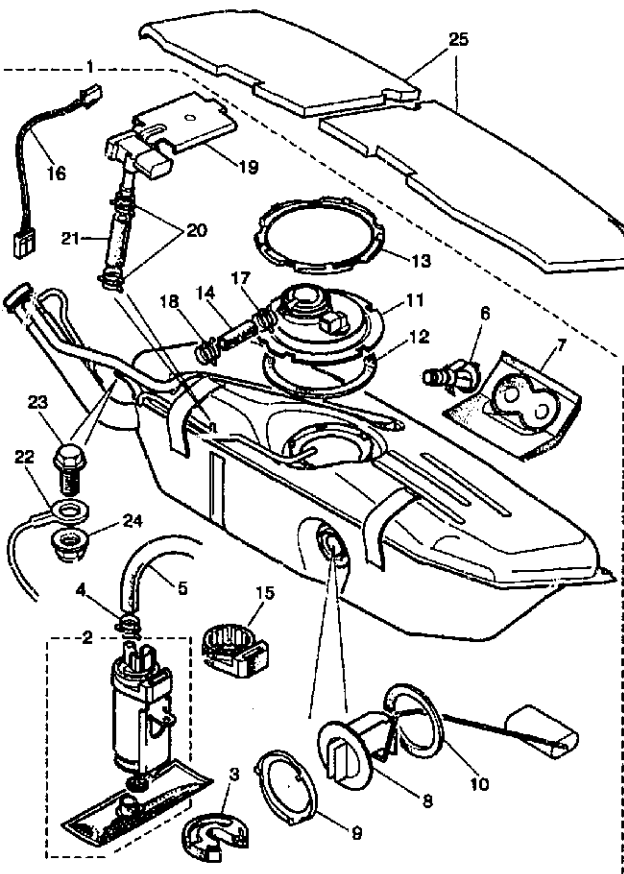
Quantity

Change  
Point

Remarks



FUEL TANK-4.0 LITRE-V8-RUNNING LOSS



Illus Part Number

- 1 NJB 5903AB
- 2 JLM 12204  
NNA 6091AA  
EBC 11382
- 3 NNA 6025AA
- 4 JHC 200101
- 5 NJA 5956AA
- 6 EBC 9606
- 7 NJA 6026AC
- 8 LJA 2000AA
- 9 C 22053
- 10 C 22054
- 11 NNA 5954AA  
NNA 6128AA  
NNA 6525AA  
NNA 6129AA
- 12 NNA 6020AA
- 13 CBC 7804
- 14 NNA 6068KA6
- 15 NNA 6025BA
- 16 LJA 3360AA
- 17 CAC 8774
- 18 JHC 300621
- 19 LJB 1624AA
- 20 JHC 200101
- 21 NJA 6068DA 1
- 22 LJA 3744AC
- 23 JFS 11016B
- 24 JFN 11004B
- 25 NJA 5987AA  
NJA 5987BA

Description

- FUEL TANK-UNLEADED FUEL ..... 1
- FUEL PUMP/FILTER-ASSEMBLY ..... 1
- • Filter ..... 1
- • Washer ..... 1
- Mounting rubber ..... 1
- Worm drive hose clip-steel ..... 1
- Fuel hose ..... 1
- Stuffer pin-fuel tank ..... 2
- Fuel tank seal ..... 1
- Low level sensor-fuel tank ..... 1
- Lock ring ..... NLA
- Sealing ring ..... NLA
- EVAPORATIVE LOSS FLANGE-STEEL ..... 1
- • Roll over valve ..... 1
- • O-ring ..... 1
- • Roll over valve seal ..... 1
- Sealing ring-steel flange ..... 1
- Lock ring ..... 1
- Breather hose ..... 1
- Mounting rubber ..... 1
- Link lead ..... 1
- Hose clip ..... 1
- Clip ..... 1
- Fuel pressure sensor-fuel tank ..... 1
- Worm drive hose clip-steel ..... 2
- Purge hose-fuel tank ..... 1
- Wheel hub earth lead ..... 1
- Flanged head screw ..... 1
- Flanged nut -M10 ..... 1
- Pad-RH top ..... 1
- Pad-LH top ..... 1

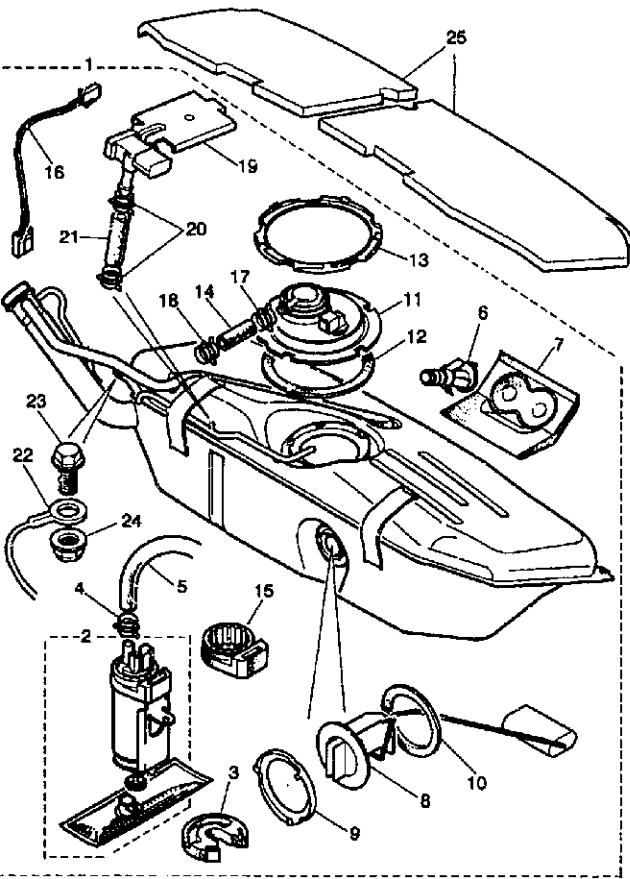
Quantity Change Point Remarks  
(1)

Use ARA1501J.  
Use ARA1502J.

TD6591

CHANGE POINTS:  
(1) To (V) 024686

FUEL TANK-4.0 LITRE-V8-RUNNING LOSS



Illus	Part Number	Description	Quantity	Change Point	Remarks
		FUEL TANK-UNLEADED FUEL .....	1	(1)	
2	NJB 5908BB	• FUEL PUMP/FILTER? .....	1		
	JLM 20529	• • Filter .....	1		
	NNA 8091AA	• • Washer .....	1		
	EBC 11362	• Mounting rubber .....	1		
3	NND 8025AA	• Worm drive hose clip-steel .....	1		
4	JHC 200101	• Fuel hose .....	1		
5	NJA 5956AA	• Stuffer pin-fuel tank .....	1		
6	EBC 9606	• Fuel tank seal .....	1		
7	NJA 8029AC	• Low level sensor-fuel tank .....	1		
8	LJA 2000AA	• Lock ring .....	NLA		Use ARA1501J.
9	C 22053	• Sealing ring .....	NLA		Use ARA1502J.
10	C 22054	• EVAPORATIVE LOSS FLANGE-STEEL .....	1		
11	NNA 5954AA	• • Roll over valve .....	1		
	NNA 8128AA	• • O-ring .....	1		
	NNA 8525AA	• • Roll over valve seal .....	1		
	NNA 8129AA	• Sealing ring-steel flange .....	1		
12	NNA 8020AA	• Lock ring .....	1		
13	CBC 7804	• Breather hose .....	1		
14	NNA 8038KA6	• Mounting rubber .....	1		
15	NND 8025BA	• Link lead .....	1		
16	LJC 3360AA	• Hose clip .....	1		
17	CAC 8774	• Clip .....	1		
18	JHC 300821	• Fuel pressure sensor-fuel tank .....	1		
19	LJB 1624AA	• Worm drive hose clip-steel .....	1		
4	JHC 200101	• Fuel hose .....	1		
21	NJA 6068DA 1	• Purge hose-fuel tank .....	1		
22	LJA 3744AC	• Wheel hub earth lead .....	1		
23	JFS 11016B	• Flanged hex'd screw .....	1		
24	JFN 11004B	• Flanged nut -M10 .....	1		
25	NJA 5987AA	• Pad-RH top .....	1		
25	NJA 5987BA	• Pad-LH top .....	1		

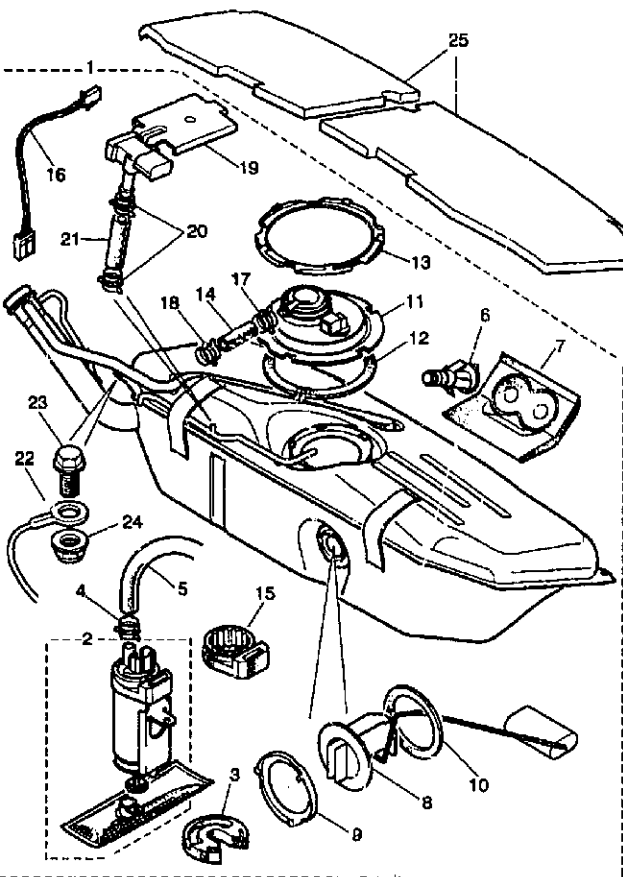
TD6591

CHANGE POINTS:

(1) From (V) 024687 To (V) 031302



FUEL TANK-4.0 LITRE-V8-RUNNING LOSS



Illus Part Number

- 1 NJC 5908AB
- 2 JLM 20756  
NJB 8091AA
- 3 NND 6025AA
- 4 JHC 200101
- 5 NJA 5658AA
- 6 EBC 9606
- 7 NJA 8029AC
- 8 LJA 2000AA
- 9 C 22053
- 10 C 22054
- 11 NJC 5954AB  
NND 6128AA  
NNA 6525AA  
NND 65303A  
NNA 6029BA  
LNC 1624AA  
NND 6129AA  
NND 6531AA
- 12 NNA 6020AA
- 13 CBC 7804
- 14 NNA 6068KA.6
- 15 NND 6025BA
- 16 LJC 3360AA
- 17 CAC 8774
- 18 JHC 300621
- 19 LJB 1624AA
- 20 JHC 200101
- 21 NJA 6068DA 1
- 22 LJA 3744AC
- 23 JFS 11018B
- 24 JFN 11004B
- 25 NJA 5987AA  
NJA 5987BA  
LJC 3075BC

Description

ON-BOARD REFUELING VAPOUR RECOVERY

- FUEL TANK-UNLEADED FUEL ..... 1
- FUEL PUMP/FILTER-ASSEMBLY ..... 1
- • Filter ..... 1
- Mounting rubber ..... 1
- Worm drive hose clip-steel ..... 1
- Fuel hose ..... 1
- Stuffer pin-fuel tank ..... 2
- Fuel tank seal ..... 1
- Low level sensor-fuel tank ..... 1
- Lock ring ..... NLA
- Sealing ring ..... NLA
- EVAPORATIVE LOSS FLANGE ..... 1
- • Roll over valve ..... 1
- • O-ring ..... 1
- • Vent valve-fuel tank ..... 1
- • Seal ..... 1
- • Fuel tank pressure sensor ..... 1
- • Roll over valve seal ..... 1
- • Cover-sensor ..... 1
- Sealing ring-steel flange ..... 1
- Lock ring ..... 1
- Breather hose ..... 1
- Mounting rubber ..... 1
- Link lead ..... 1
- Hose clip ..... 1
- Clip ..... 1
- Fuel pressure sensor-fuel tank ..... 1
- Worm drive hose clip-steel ..... 1
- Purge hose-fuel tank ..... 1
- Wheel hub earth lead ..... 1
- Flanged head screw ..... 1
- Flanged nut -M10 ..... 1
- Pad-RH top ..... 1
- Pad-LH top ..... 1
- Trunk harness link lead ..... 1

Quantity Change Point Remarks

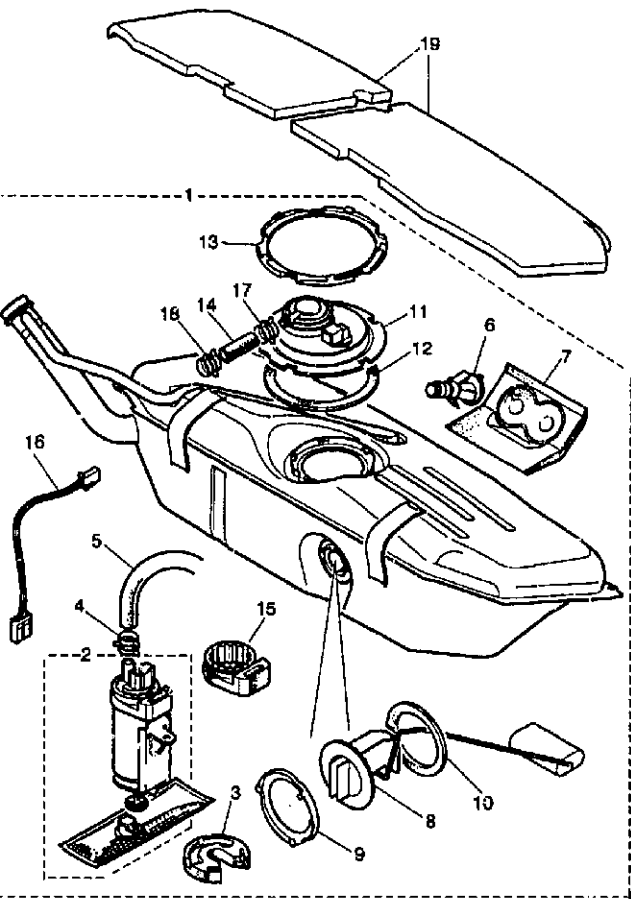
- (1) ..... Normally aspirated
- ..... Use ARA1501J.
- ..... Use ARA1502J.

TD6591

CHANGE POINTS:

(1) From (V) 031303

FUEL TANK-4.0 LITRE-V8-NON RUNNING LOSS

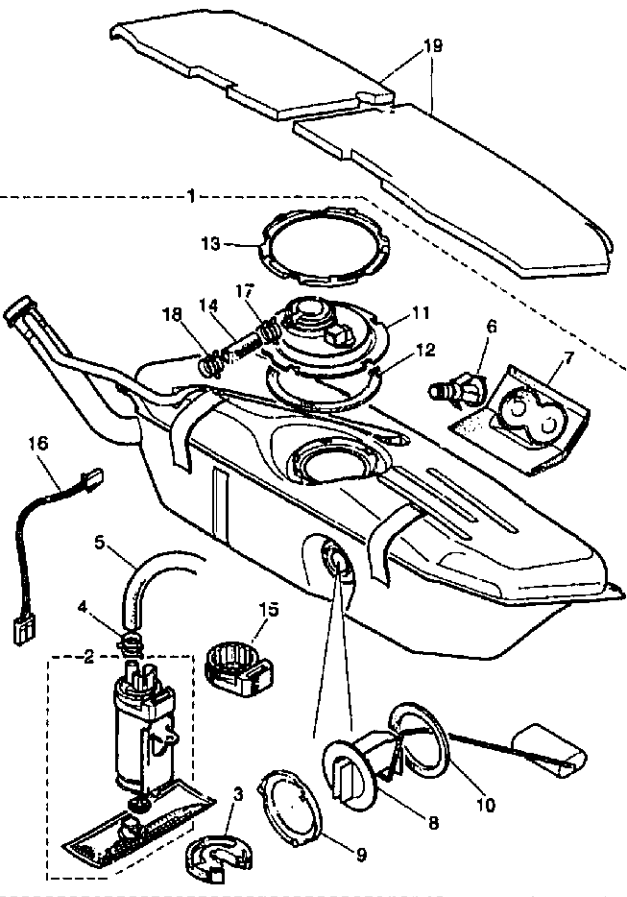


Illus	Part Number	Description	Quantity	Change Point	Remarks
1	NJA 5908PM	FUEL TANK-UNLEADED FUEL .....	1	(1)	
2	JLM 12204 NNA 0091AA EBC 11382	• FUEL PUMP/FILTER-ASSEMBLY .....	1		
		• • Filter .....	1		
		• • Washer .....	1		
3	NNA 0025AA	• Mounting rubber .....	1		
4	JHC 200101	• Worm drive hose clip-steel .....	1		
5	NJA 5956AA	• Fuel hose .....	1		
6	EBC 9606	• Stuffer pin-fuel tank .....	1		
7	NJA 6029AC	• Fuel tank seal .....	1		
8	LJA 2000AA	• Low level sensor-fuel tank .....	1		
9	C 22053	• Lock ring .....	NLA		Use ARA1501J.
10	C 22054	• Sealing ring .....	NLA		Use ARA1502J.
11	NNA 5954AA NNA 6128AA NNA 6525AA NNA 3129AA	• EVAPORATIVE LOSS FLANGE-STEEL .....	1		
		• • Roll over valve .....	1		
		• • O-ring .....	1		
		• • Roll over valve seal .....	1		
12	NNA 6020AA	• Sealing ring-steel flange .....	1		
13	CBC 7804	• Lock ring .....	1		
14	NNA 6068KA 6	• Breather hose .....	1		
15	NNA 0025BA	• Mounting rubber .....	1		
16	LJA 3360AA	• Link load .....	1		
17	CAC 8774	• Hose clip .....	1		
18	JHC 300621 JFN 11004B LJA 3744AB JFS 1101dB	• Clip .....	1		
		• Flanged nut -M10 .....	1		
		• Earth lead-wheel hub to chassis .....	1		
		• Flanged head screw .....	1		
19	NJA 5987AA	Pad-RH top .....	1		
19	NJA 5987BA	Pad-LH top .....	1		

TD6327

CHANGE POINTS:  
(1) To (V) 024686

FUEL TANK-4.0 LITRE-V8-NON RUNNING LOSS



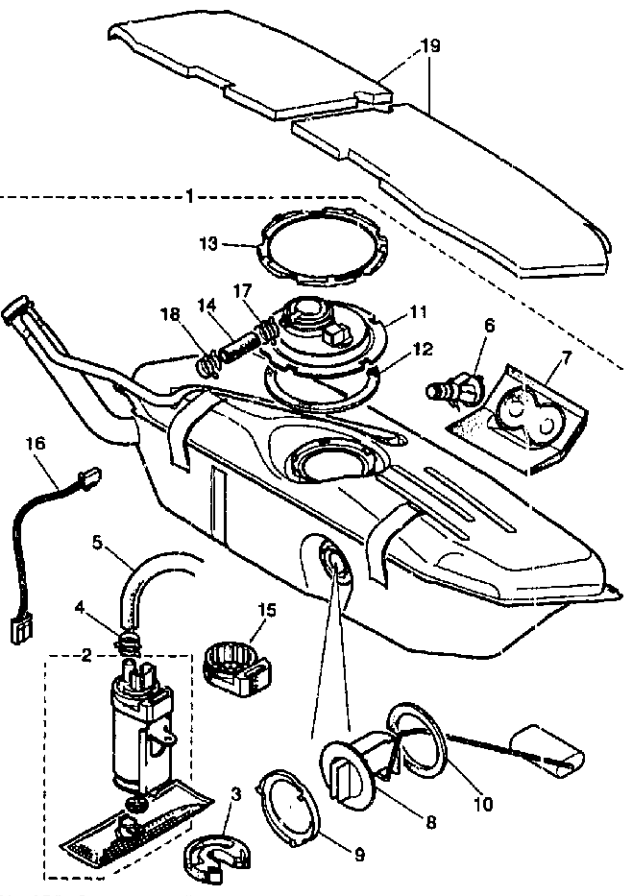
Illus	Part Number	Description	Quantity	Change Point	Remarks
1	NJB 5908CB	FUEL TANK-UNLEADED FUEL .....	1		
2	JLM 20529	• FUEL PUMP/FILTER .....	1		
	NNA 6091AA	•• Filter .....	1		
	EBC 11382	•• Washer .....	1		(1)
3	NND 8025AA	• Mounting rubber .....	1		
4	JHC 200101	• Worm drive hose clip-steel .....	1		
5	NJA 5956AA	• Fuel hose .....	1		
6	EBC 9606	• Stuffer pin-fuel tank .....	1		
7	NJA 6029AC	• Fuel tank seal .....	1		
8	LJA 2000AA	• Low level sensor-fuel tank .....	1		
9	C 22053	• Lock ring .....	NLA		Use ARA1501J.
10	C 22054	• Sealing ring .....	NLA		Use ARA1502J.
11	NNA 5954AA	• EVAPORATIVE LOSS FLANGE-STEEL .....	1		
	NNA 8128AA	•• Roll over valve .....	1		
	NNA 6525AA	•• O-ring .....	1		
	NNA 8129AA	•• Roll over valve seal .....	1		
12	NNA 8020AA	• Sealing ring-steel flange .....	1		
13	CBC 7804	• Lock ring .....	1		
14	NNA 8068KA 6	• Breather hose .....	1		
15	NND 8025BA	• Mounting rubber .....	1		
16	LJC 3360AA	• Link lead .....	1		
17	CAC 8774	• Hose clip .....	1		
18	JHC 300621	• Clip .....	1		
19	NJA 5987AA	• Pad-RH top .....	1		
	NJA 5987BA	• Pad-LH top .....	1		
	LJA 3744AC	• Wheel hub earth lead .....	1		
	JFS 11016B	• Flanged head screw .....	1		
	JFN 11004B	• Flanged nut -M10 .....	1		

TD6327

CHANGE POINTS:

(1) From (V) 024687 To (V) 031302

FUEL TANK-4.0 LITRE-V8-NON RUNNING LOSS



Illus	Part Number	Description	Quantity	Change Point	Remarks
1	NJC 5938BB	FUEL TANK-UNLEADED FUEL .....	1		
2	JLM 20756 NJB 6091AA	• FUEL PUMP/FILTER-ASSEMBLY.....	1		
3	NND 0125AA	• • Filter .....	1		(1)
4	JHC 200101	• Mounting rubber .....	1		
5	NJA 5958AA	• Worm drive hose clip-steel.....	1		
6	EBC 9600	• Fuel hose.....	1		
7	NJA 6029AC	• Stuffer pin-fuel tank .....	2		
8	LJA 2000AA	• Fuel tank seal .....	1		
9	C 22053	• Low level sensor-fuel tank .....	1		
10	C 22054	• Lock ring.....	NLA		Use ARA1501J.
11	NNA 5954AA	• Sealing ring .....	NLA		Use ARA1502J.
	NNA 6128AA	• EVAPORATIVE LOSS FLANGE-STEEL .....	1		
	NNA 6525AA	• • Roll over valve .....	1		
	NNA 6129AA	• • O-ring .....	1		
12	NNA 6020AA	• • Roll over valve seal .....	1		
13	CBC 7804	• Sealing ring-steel flange.....	1		
14	NNA 6060KA 6	• Lock ring.....	1		
15	NND 6025BA	• Breather hose.....	1		
16	LJC 3360AA	• Mounting rubber .....	1		
17	CAC 8774	• Link lead .....	1		
18	JHC 300621	• Hose clip.....	1		
19	NJA 5987AA	• Clip .....	1		
19	NJA 5987B/	• Pad-RH top.....	1		
	LJA 3744AC	• Pad-LH top .....	1		
	JFS 11016B	• Wheel hub earth lead .....	1		
	JFN 11004B	• Flanged head screw.....	1		
	LJC 3075BC	• Flanged nut- M10 .....	1		
		• Trunk harness link lead.....	1		

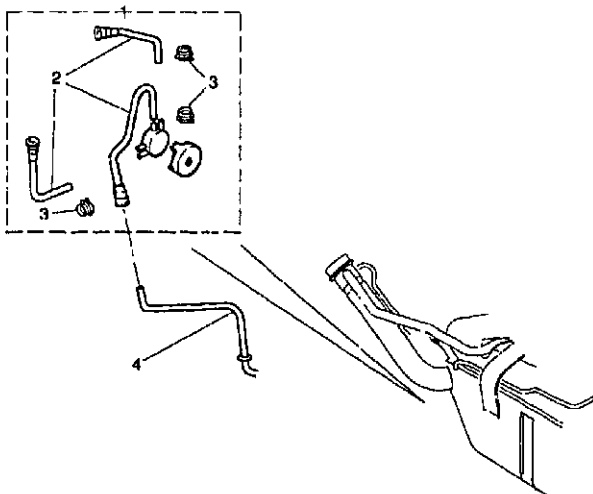
TD6327

CHANGE POINTS:

(1) From (V) 031303

VAPOUR PIPES IN TRUNK-4.0 LITRE-V8

Illus	Part Number	Description	Quantity	Change Point	Remarks
1	NNA 8128AD	RUNNING LOSS VALVE .....	1	(1)	
2	NNA 8070CA	• Hose .....	3		
3	CAC 8773	• Hose clip.....	3		
4	NJA 8050BB	Vapour pipe.....	1		
1	NJB 8128AA	RUNNING LOSS VALVE .....	1	(2)	
2	NNA 8070CA	• Hose .....	3		
3	CAC 8773	• Hose clip.....	3		
4	NJA 8050BR	• Vapour pipe .....	1		



TC6574

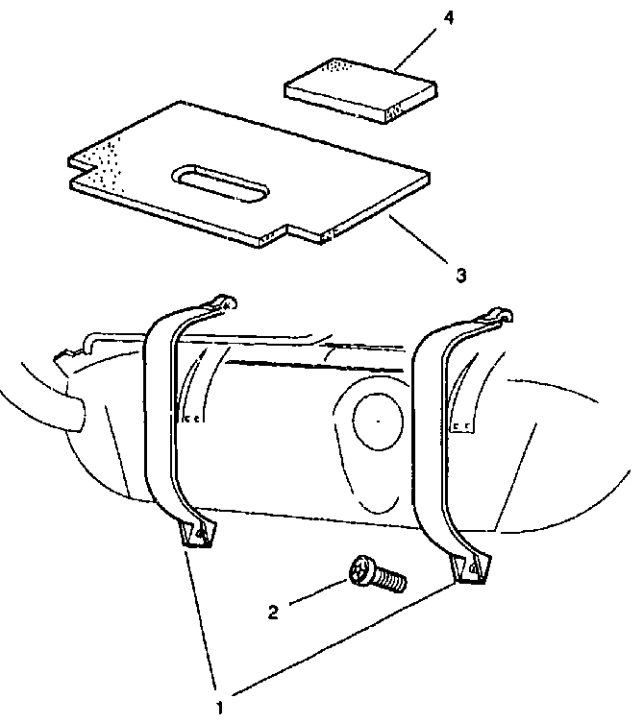
CHANGE POINTS:

(1) To (V) 018107

(2) From (V) 018108

FUEL TANK MOUNTING-4.0 LITRE-V8

Illus	Part Number	Description	Quantity	Change Point	Remarks
1	NJA 8045BE	Fuel tank strap.....	2		] Coupe
2	JXA 10820B P	Torx pan head machine screw .....	2		
3	NJA 5999AC	Fuel tank pad-lower .....	1		] Convertible 2+2
4	NJA 8121AA	Fuel tank location pad-raar .....	2		



FUEL INJECTORS AND REGULATOR-4.0 LITRE-V8

Illus Part Number

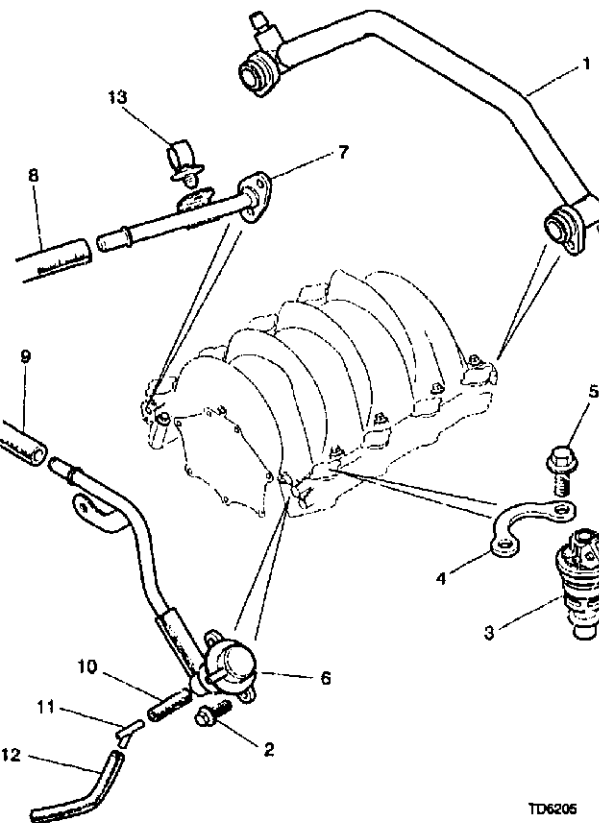
- 1 NCA 3027AE
- 2 JFS 10618B
- 3 LCA 1521AD
- 3 LCA 1521AF
- 3 LNE 1522AC
- NNE 3418BA
- JLM 20291
- 4 NCA 3429RA
- 5 JFS 10512C
- 6 NCA 3007CA
- NCA 5203EA
- NCA 3005AF
- 8 NJA 6053AD
- 9 NJA 6083AE
- 10 NCA 3239AA 1
- 11 C 15844
- C 37021
- 12 NCA 3239AA 2
- 13 KDF 114023

Description

- Fuel pipe..... 1
- Flange head screw-M8 x 16mm ..... 6
- Fuel injector ..... 8
- Fuel injector ..... 8
- Fuel Injector ..... 8
- Retaining clip ..... 8
- Injector O-ring kit-kit-injector to fuel rail ..... 8
- Injector clamp plate..... 8
- Flange head scraw-M5 x 12mm ..... 16
- FUEL RETURN PIPE-ASSEMBLY ..... 1
- Fuel pressure regulator ..... 1
- Fuel feed pipe ..... 1
- Fuel feed hose ..... 1
- Fuel return hose ..... 1
- Vacuum hose-short ..... 1
- T-piece ..... 1
- Sealing cap..... 1
- Vacuum hose-long ..... 1
- Fir tree clip..... 1

Quantity Change Point Remarks

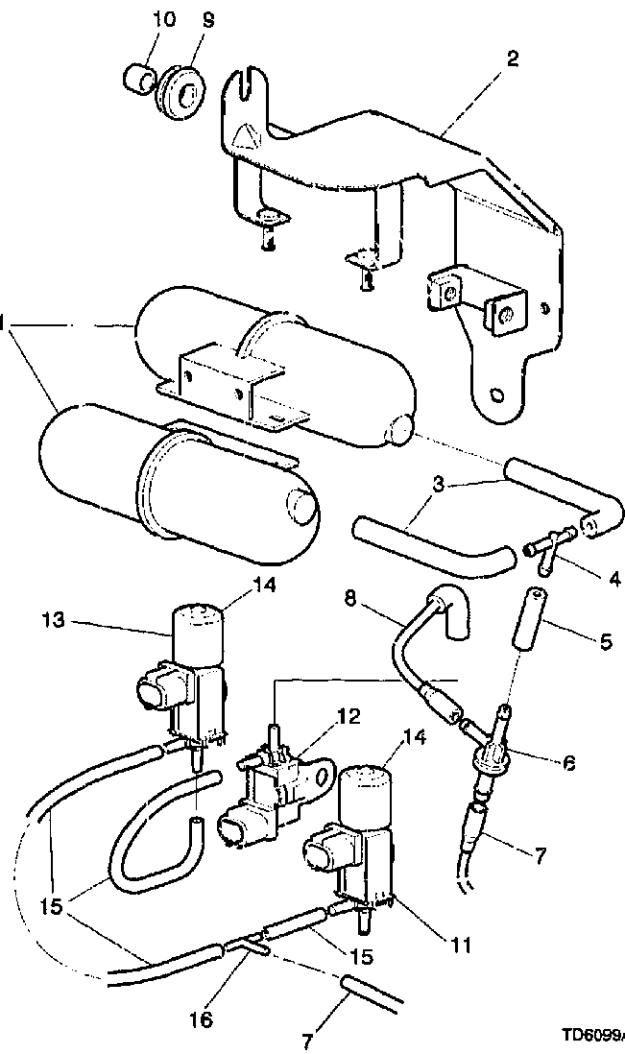
- (1)
- (2)
- (3)



TD6206

CHANGE POINTS:

- (1) To (V) 011117
- (2) From (V) 011118 To (V) 031302
- (3) From (V) 031303



Illus Part Number

- 1 MHF 8778AA
- 2 NJA 3228BC
- 3 EAC 8022 26
- 4 NJA 3944AA
- 5 EAC 8022 1
- 6 MHF 8775AA
- 7 NJA 3970AB
- 8 NJA 3968CA
- 9 JZT 100013
- 10 KGA 125001
- 11 LJA 1530BB
- 12 LJA 1530AA
- 13 LJA 1530CB
- 14 LJA 1531AA
- 15 EAC 8021 18
- 16 C 15844
- KDP 205090
- NJA 3968HA

Description

- Vacuum tank .....
- Control module bracket.....
- Hose .....
- 3 way connector.....
- Hose .....
- Non return valve .....
- Vacuum pipe-assembly.....
- Vacuum pipe .....
- Spacer .....
- Grommet.....
- Solenoid vacuum valve-brown .....
- Solenoid vacuum valve-black .....
- Solenoid vacuum valve-grey .....
- Protection cap.....
- Vapour hose-0.125" bore x 65" .....
- T-piece .....
- Swivel clip .....
- Actuator vacuum pipe .....

Quantity Change Point

- 2
- 1
- 2
- 1
- 1
- 1
- 1
- 1
- 1
- 1
- 1
- 1
- 2
- 3
- 1
- 1
- 1

Remarks

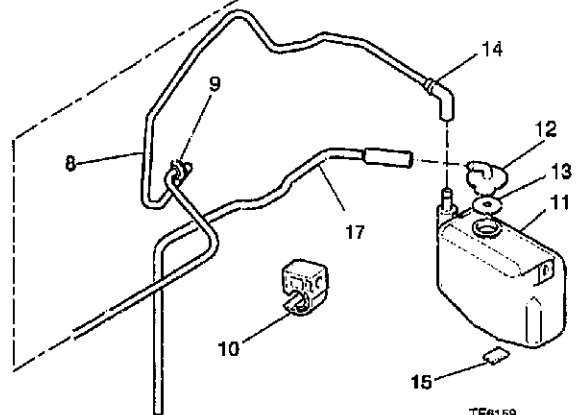
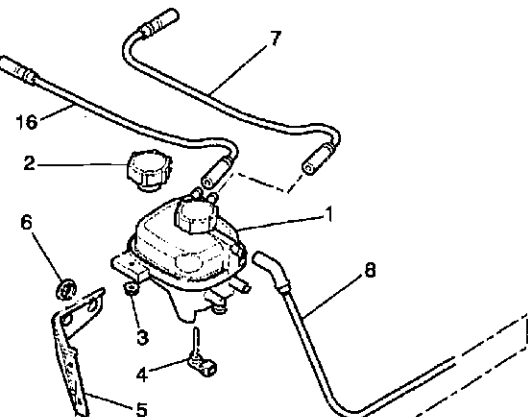
- Speed control
- 
- 
- 
- 
- 
- 
- 
- 
- 
- 
- 
- 
- 
- 
- 
- 
- 
- Except speed control



MASTER INDEX	GROUP INDEX	
ENGINE..... 1 D		
ENGINE MANAGEMENT/EMISSION SYSTEMS..... 1 F	EXPANSION TANK..... 1. H 02	COOLING FAN AND COWL-4.0 LITRE-V8 ..... 1. H 03
AIR AND FUEL DELIVERY SYSTEMS ..... 1 G	RADIATOR AND HOSES ..... 1. H 04	EXPANSION TANK AND RECOVERY BOTTLE.. 1. H 02
ENGINE COOLING SYSTEM..... 1 H	RADIATOR FAN AND FAN MOTORS..... 1. H 03	RADIATOR HOSES-4.0 LITRE-V8 ..... 1. H 05
EXHAUST SYSTEM AND COMPONENTS..... 1 I	WATER PUMP..... 1. H 08	RADIATOR-4.0 LITRE-V8 ..... 1. H 04
TRANSMISSION AND DRIVELINE..... 1 J	WATER RAIL AND THERMOSTAT..... 1. H 06	THERMOSTAT AND WATER OUTLET PIPE..... 1. H 06
STEERING AND SUSPENSION..... 1 K		
BRAKING SYSTEM..... 1 M		
AIR CONDITIONING/HEATING/VENTILATION..... 1 N		
WIPER AND WASHER SYSTEMS..... 1 O		
ELECTRICAL DISTRIBUTION SYSTEM..... 2 C		
INFORMATION SYSTEMS AND CONTROLS..... 2 E		
BATTERY/STARTER MOTOR/ALTERNATOR..... 2 F		
IN CAR ENTERTAINMENT..... 2 G		
LIGHTING - EXTERIOR/INTERIOR ..... 2 H		
LOCKING/SECURITY SYSTEMS/HORNS..... 2 I		
SEATING..... 2 J		
OCCUPANT RESTRAINTS..... 2 L		
INTERIOR TRIM AND LININGS..... 2 M		
EXTERIOR FITTINGS AND SUNROOF..... 3 C		
BODY CLOSURES AND SEALING..... 3 D		
BODY METAL PANELS AND SEALING..... 3 G		
ACCESSORIES/CONSUMABLES/INDEX..... 3 H		

EXPANSION TANK AND RECOVERY BOTTLE

Illus	Part Number	Description	Quantity	Change Point	Remarks
1	MJA 4400AE	Coolant reservoir .....	1		
2	MJA 44403A	Pressure cap-1.0 bar .....	1		
3	JFN 1C9047	Hexagonal flange nut .....	1		
4	LNA 5740AB	Fluid level sensor .....	1		
5	MJA 4453AB	Mounting bracket-header tank-rear .....	1		
5	MJB 4452AA	Mounting bracket-header tank-front .....	1		
8	CBC B261	Grommet .....	2		
7	MJA 4560BC	Bleed hose .....	1		
8	MJA 4468AD	Expansion hose .....	1		
9	KGM 480003	Grommet .....	1		
10	KDF 110004	Cable clip .....	4		
11	MJA 446CAC	Atmospheric recovery bottle .....	1		
	MJB 4465AA	Connecting pipe-recovery hose to header tank .....	1	(2)	
12	MJA 4468AA	Bottle cap .....	1		
13	MJA 4467AA	Reservoir seal .....	1		
14	JHC 501401	Hose clip .....	4		
15	MJA 4471AA	Insulation pad .....	2		
16	MJA 4560DB	Bleed hose-header tank .....	1	(1)	
17	MJA 4460AD	Overflow pipe .....	1		



TE6159

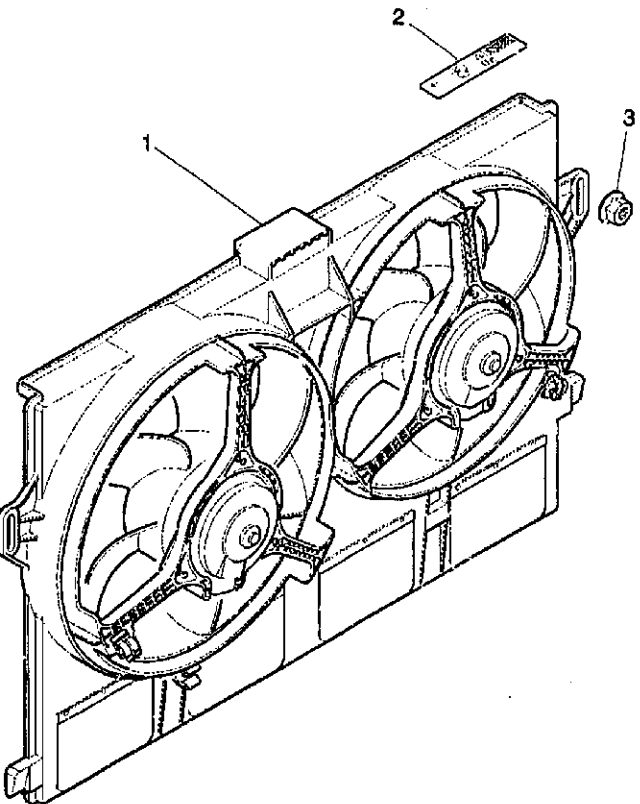
CHANGE POINTS:

(1) To (V) 018107

(2) From (V) 024687

COOLING FAN AND COWL-4.0 LITRE-V8

Illus	Part Number	Description	Quantity	Change Point	Remarks
1	MJA 4270AB	FAN AND COWL -ASSEMBLY .....	1		Except 4.0 litre supercharged
2	MNA 7691AA	Warning label.....	1		
3	JZH 100041	Nut and washer - radiator to fan cowl .....	2		



Illus Part Number

- 1 MJA 4190AE
- 1 MJB 4190AD
- JLM 10622
- 2 MJA 4214AB
- 3 MJA 4210AA
- 4 MJA 4211AA
- 5 MJA 4212AA
- 6 MJA 4242CB
- 7 MJA 4243AB
- 8 JFS 10612F
- 8 MJA 4180AD
- 10 JXR 10620F
- 311 MJA 4213AA
- 12 JZB 100066

Description

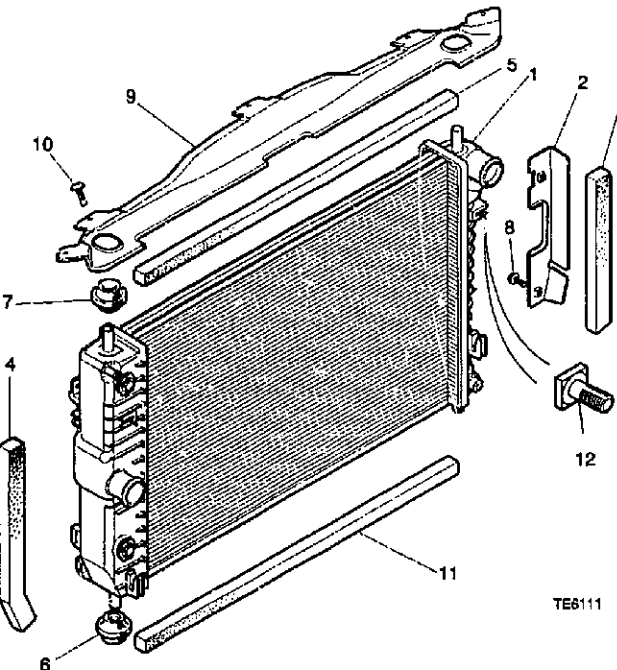
- Radiator-assembly..... 1
- Radiator-assembly..... 1
- Drain plug-O-ring sealing..... 1
- Sealing plate..... 1
- Radiator seal-RH..... 1
- Radiator seal-LH..... 1
- Radiator seal-upper..... 1
- Mounting bush-lower..... 2
- Mounting bush-upper..... 2
- Flanged head screw-radiator to condenser..... 2
- Radiator mounting panel-top..... 1
- Paint clearing setscrew-torx head..... 5
- Seal-lower..... 1
- Square head bolt..... 2
- Emission label..... 1
- Emission label..... 1
- Emission label..... 1

Quantity Change Point

- (1)
- (2)

Remarks

- ..... Chile
- ..... Canada, USA.
- ..... Mexico

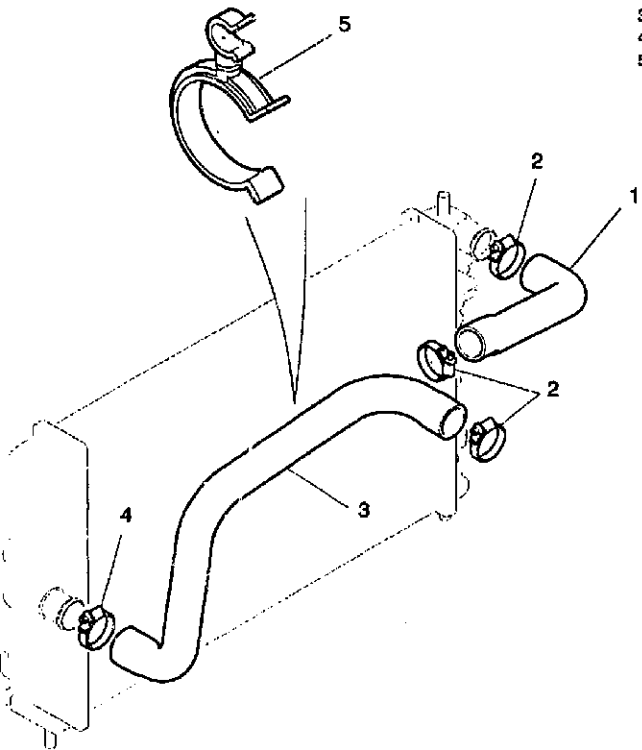


TE6111

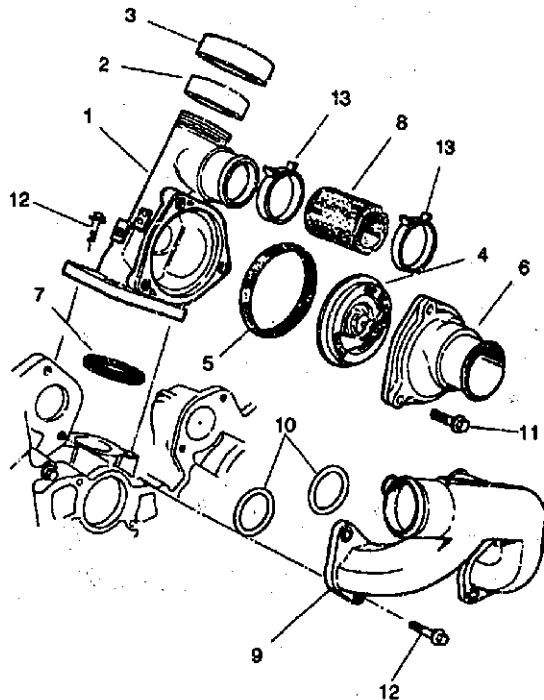
CHANGE POINTS:

- (1) To (V) 018107
- (2) From (V) 018108

Ilus	Part Number	Description	Quantity	Change Point	Remarks
	1 MJA 4500AE	Radiator top hose .....	1		
	2 JHC 302270	Hose clamp-48mm.....	3		
	3 MJA 4510AD	Bottom hose.....	1		
	4 JHC 302270	Hose clamp-48mm.....	1		
	5 KDP 209420	Swivel clip.....	2		



THERMOSTAT AND WATER OUTLET PIPE-4.0 LITRE-V8



Qty	Part Number	Description	Quantity	Change Point	Remarks
	1 NCA 2247AC	Thermostat housing.....	1		
	2 NCA 227DAC	Thermostat housing cap.....	1		
	3 NCA 2277AA	Thermostat housing cover.....	1		
	4 AJ8 132B	Thermostat-engine.....	1		
	5 NCA 2248BA	Thermostat seal.....	1		
	6 NCA 2245BB	Thermostat cover.....	1	(1)	
	6 NCA 2245BC	Thermostat cover.....	1	(2)	
	7 NCA 2269BC	Seal-thermostat housing to cylinder head.....	1		
	8 NCA 2213AC	Bypass hose-heater and air conditioning.....	1	(3)	
	9 NCA 2241BB	Outlet pipe.....	NLA	(4)	Use NCA2241BC.
	9 NCA 2241BC	Outlet pipe.....	1	(5)	
	10 NCA 2268BC	Water outlet seal-cylinder head.....	2		
	11 JFS 10620B	Flanged head screw-M6 x 20mm.....	3		
	12 JFS 10625B	Flange head screw-M6 x 25mm.....	8		
	13 JHC 30142D	Hose clamp-spring type.....	2		

TB6136A

CHANGE POINTS:

- (1) To (V) 018107
- (2) From (V) 018108
- (3) From (V) 004274
- (4) To (V) 006675
- (5) From (V) 006676

WATER HEATER-CANADA

Illus Part Number

- 1 JLM 20116
- 2 NCA 2258BB
- 3 LJA 3325AC
- 3 LJA 3325BB
- 4 ADU 9028
- 5 JWV 130001

Description

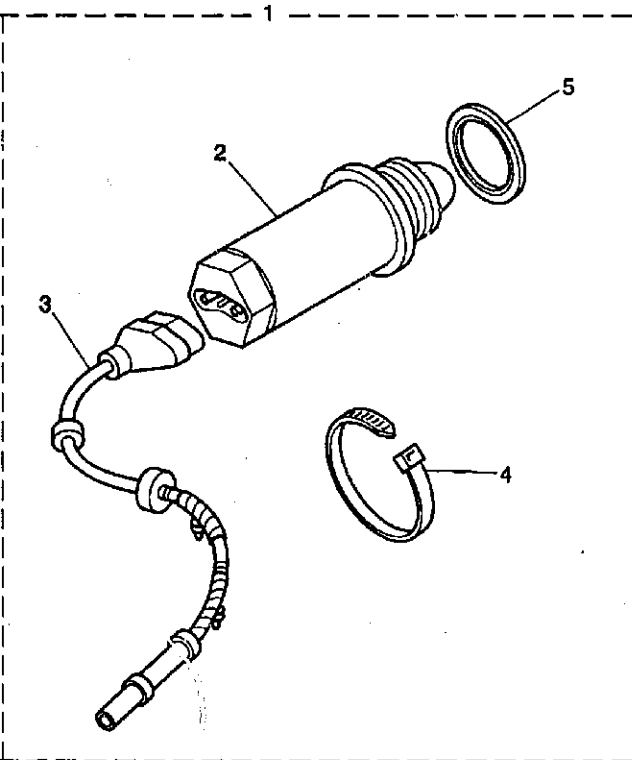
- ENGINE BLOCK HEATER-KIT-110V..... 1
- Water heater - 110v-700 w..... 1
- Link lead-block heater to bumper..... 1
- Link lead-bumper to mains supply..... 1
- Tie strap-7.75" long..... 3
- Sealing washer..... 1

Quantity

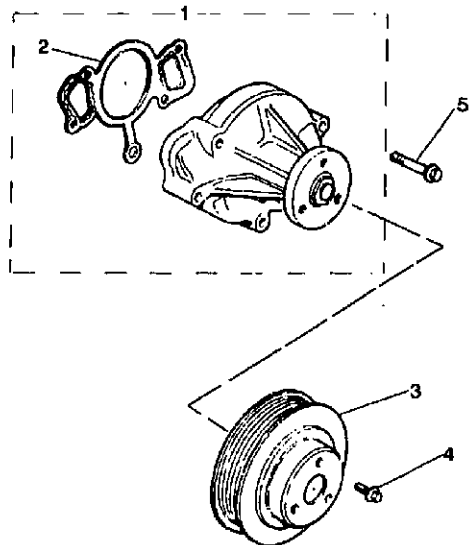
Change Point

Remarks

..... Canada



Illus	Part Number	Description	Quantity	Change Point	Remarks
	1 JLM 20143	WATER PUMP AND GASKET .....	1	(1)	
	1 JLM 20579	WATER PUMP AND GASKET .....	1	(2)	
	2 NCA 2267BA	• Water pump gasket .....	1		
	KSR 634001	• O-ring-water pump-55mm .....	1		
	KSE 169530	• O-ring-water pump-70mm .....	1		
	3 EAZ 2153	Water pump pulley.....	1	(1)	
	3 NNE 2225AA	Water pump pulley.....	1	(2)	
	4 JZB 100105	Flange head acrw-M6 x 12mm .....	3		
	5 JFB 10610B	Flange head bolt-M6 x 50mm-water pump-pump to block.....	5		



TB6133a

CHANGE POINTS:

(1) To (V) 031302

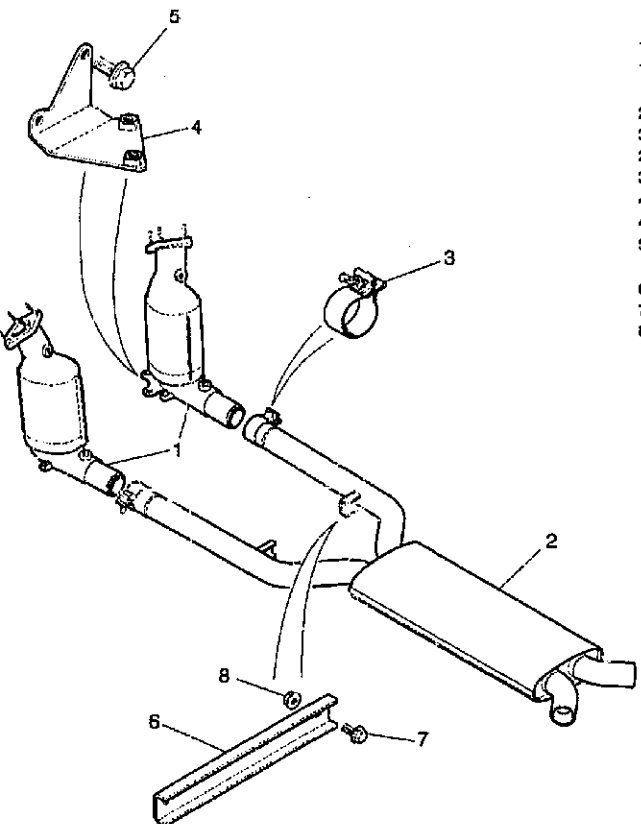
(2) From (V) 031303



MASTER INDEX	GROUP INDEX	
ENGINE ..... 1 D		
ENGINE MANAGEMENT/EMISSION SYSTEMS ..... 1 F	EXHAUST SYSTEM ..... 1. 102	EXHAUST PIPE-FRONT-4.0 LITRE-V8 ..... 1. 102
AIR AND FUEL DELIVERY SYSTEMS ..... 1 G	HEATSHIELDS ..... 1. 104	EXHAUST PIPES-REAR-4.0 LITRE-V8 ..... 1. 103
ENGINE COOLING SYSTEM ..... 1 H		HEATSHIELDS-UNDER FLOOR-4.0 LITRE-V8.. 1. 104
EXHAUST SYSTEM AND COMPONENTS ..... 1 I		
TRANSMISSION AND DRIVELINE ..... 1 J		
STEERING AND SUSPENSION ..... 1 K		
BRAKING SYSTEM ..... 1 M		
AIR CONDITIONING/HEATING/VENTILATION ..... 1 N		
WIPER AND WASHER SYSTEMS ..... 1 O		
ELECTRICAL DISTRIBUTION SYSTEM ..... 2 C		
INFORMATION SYSTEMS AND CONTROLS ..... 2 E		
BATTERY/STARTER MOTOR/ALTERNATOR ..... 2 F		
IN CAR ENTERTAINMENT ..... 2 G		
LIGHTING - EXTERIOR/INTERIOR ..... 2 H		
LOCKING/SECURITY SYSTEMS/HORNS ..... 2 I		
SEATING ..... 2 J		
OCCUPANT RESTRAINTS ..... 2 L		
INTERIOR TRIM AND LININGS ..... 2 M		
EXTERIOR FITTINGS AND SUNROOF ..... 3 C		
BODY CLOSURES AND SEALING ..... 3 D		
BODY METAL PANELS AND SEALING ..... 3 G		
ACCESSORIES/CONSUMABLES/INDEX ..... 3 H		

EXHAUST PIPE-FRONT-4.0 LITRE-V8

Illus	Part Number	Description	Quantity	Change Point	Remarks
	1 NJA 6700AG	EXHAUST DOWNPIPE AND CATALYST-RH.....	1	] (1)	
	1 NJA 6701AG	EXHAUST DOWNPIPE AND CATALYST-LH.....	1		
	JZC 100038	• Special stud-torx head-M8.....	4		
	JZN 100021	Flanged nut -stainless steel.....	4		
	1 NNE 6709GD	EXHAUST DOWNPIPE AND CATALYST-RH.....	1	] (2)	
	1 NNE 6701GD	EXHAUST DOWNPIPE AND CATALYST-LH.....	1		
	JZC 100038	• Special stud-torx head-M8.....	4		
	2 NJA 6757AG	Exhaust silencer-front.....	1	] (3)	
	3 EBC 9257 7	Exhaust pipe clamp.....	2		
	2 NJB 6757BA	EXHAUST SILENCER-FRONT.....	1	] (4)	
	3 NJB 6744HA	• Exhaust pipe clamp.....	1		
	4 NJB 6798AA	Exhaust mounting bracket-RH.....	1		
	4 NJB 6797AA	Exhaust mounting bracket-LH.....	1		
	5 JFS 1102CF	Flange head screw.....	4		
	JFN 10804B	Flanged nut.....	8		
	6 NJA 6758AA	Tie bracket -front.....	1		
	7 JFS 10818E	Flange head screw-exhaust.....	2		
	8 JFX 10804E	Locking nut.....	2		

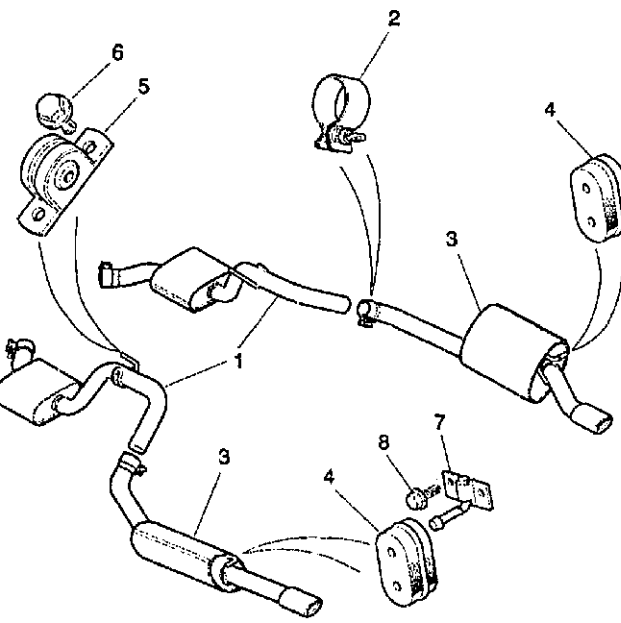


CHANGE POINTS:

TF6153

- (1) To (V) 031302
- (2) From (V) 031303
- (3) To (V) 024072
- (4) From (V) 024073

Illus	Part Number	Description	Quantity	Change Point	Remarks
	1 NJA 6780AF	Intermediate exhaust silencer-RH .....	1	}	(1)
	1 NJA 6781AF	Intermediate exhaust silencer-LH .....	1		
	2 EBC 9257 7	Exhaust pipe clamp .....	4	}	(2)
	1 NJA 6780AG	INTERMEDIATE EXHAUST SILENCER-RH .....	1		
	1 NJA 6781AG	INTERMEDIATE EXHAUST SILENCER-LH .....	1	}	(3)
	2 NJB 6744GA	• Exhaust pipe clamp-52.4mm diameter .....	1		
	1 NJA 6780AH	INTERMEDIATE EXHAUST SILENCER-RH .....	1	}	(4)
	1 NJA 6781AH	INTERMEDIATE EXHAUST SILENCER-LH .....	1		
	2 NJB 6744GA	• Exhaust pipe clamp-52.4mm diameter .....	1	}	(5)
	3 NJA 6784AL	Exhaust silencer-RH rear .....	1		
	3 NJA 6785AL	Exhaust silencer-LH rear .....	1	}	(1)
	3 NJA 6784AM	EXHAUST SILENCER-RH REAR .....	1		
	3 NJA 6785AM	EXHAUST SILENCER-LH REAR .....	1	}	(2)
	2 NJB 6744GA	• Exhaust pipe clamp-52.4mm diameter .....	1		
	3 NJC 6784AA	EXHAUST SILENCER-RH REAR .....	1	}	(3)
	3 NJC 6785AA	EXHAUST SILENCER-LH REAR .....	1		
	2 NJB 6744AA	• Exhaust pipe clamp .....	1	}	(4)
	4 NJA 6790AC	Exhaust mounting-rubber .....	2		
	5 NJA 6741BC	Exhaust mounting rubber-rear .....	2	}	(5)
	6 FS 108161 J	Flange screw-M8 .....	4		
	7 NJA 6803AC	Exhaust mounting bracket .....	2	}	(6)
	8 JZS 100126	Screw .....	4		



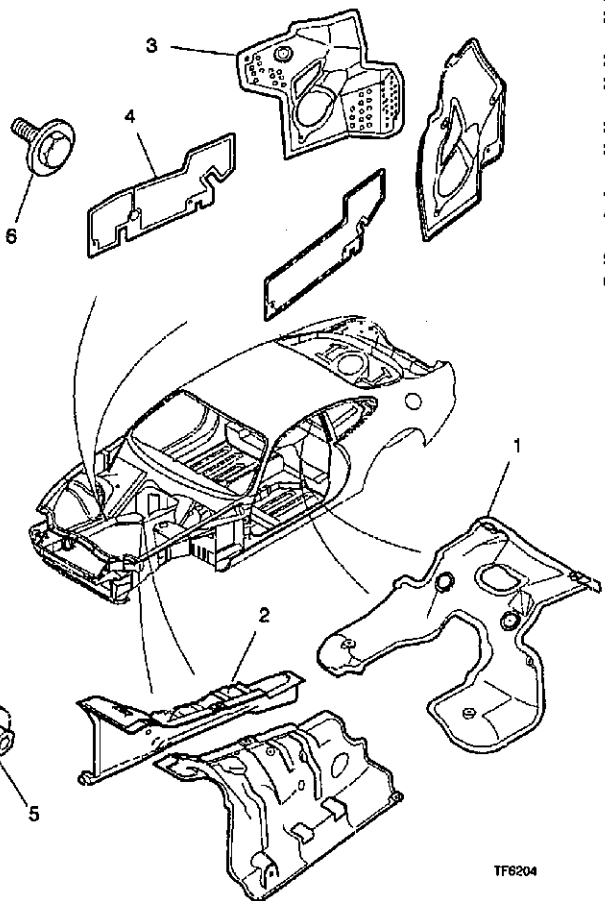
TF6154

CHANGE POINTS:

- (1) To (V) 019566
- (2) From (V) 019567 To (V) 028167
- (3) From (V) 028168
- (4) From (V) 019567 To (V) 031302
- (5) From (V) 031303

HEATSHIELDS-UNDER FLOOR-4.0 LITRE-V8

Illus	Part Number	Description	Quantity	Change Point	Remarks
	1 GJA 5341AE	Over axle insulation .....	1		
	2 GJA 9322AC	Under floor insulation-RH front.....	1	] (1)	
	2 GJA 9323AD	Under floor insulation-LH front.....	1		
	2 GJB 9322AA	Under floor insulation-RH-front.....	1	] (2)	
	2 GJB 9323AA	Under floor insulation-LH-front.....	1		
	3 GJA 9338AF	Under floor insulation-RH .....	1		
	3 GJA 9339AF	Under floor insulation-LH.....	1		
	4 GJA 9378AD	Under floor insulation-RH .....	1		
	4 GJA 9379AE	Under floor insulation-LH.....	1		
	5 KZN 100008	Push-on nut .....	18		
	6 JZH 100040	Screw/washer -MB .....	4		



TF6204

CHANGE POINTS:

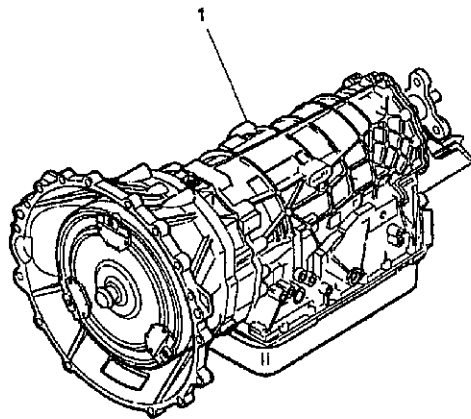
(1) To (V) 024686

(2) From (V) 024687

MASTER INDEX	GROUP INDEX	
ENGINE ..... 1 D		
ENGINE MANAGEMENT/EMISSION SYSTEMS ..... 1 F	CONTROL VALVE ASSEMBLY-AUTOMATIC ..... 1. J 04	CONTROL VALVE ASSEMBLY-4.0 LITRE-V8 ..... 1. J 04
AIR AND FUEL DELIVERY SYSTEMS ..... 1 G	CONTROLS AND LINKAGE-AUTOMATIC ..... 1. J 07	DIFFERENTIAL ASSEMBLY ..... 1. J 15
ENGINE COOLING SYSTEM ..... 1 H	DIFFERENTIAL ASSEMBLY ..... 1. J 15	GEAR CHANGE CONTROL SOLENOID ..... 1. J 10
EXHAUST SYSTEM AND COMPONENTS ..... 1 I	GEARBOX ASSEMBLY AND CASING ..... 1. J 02	GEAR CHANGE CONTROL-AUTOMATIC ..... 1. J 08
TRANSMISSION AND DRIVELINE ..... 1 J	GEARBOX GASKET/SEAL SETS-AUTOMATIC ..... 1. J 12	GEAR CONTROL CABLE ..... 1. J 11
STEERING AND SUSPENSION ..... 1 K	HALFSHAFTS ..... 1. J 13	GEARBOX OIL COOLER PIPES-4.0 LITRE-V8 ..... 1. J 05
BRAKING SYSTEM ..... 1 M	LUBRICATION SYSTEM-AUTOMATIC ..... 1. J 05	GEARBOX-4.0 LITRE-V8-AUTOMATIC ..... 1. J 02
AIR CONDITIONING/HEATING/VENTILATION ..... 1 N	PROPSHAFT ..... 1. J 14	HALFSHAFT ASSEMBLY ..... 1. J 13
WIPER AND WASHER SYSTEMS ..... 1 O	TORQUE CONVERTER AND HOUSING ..... 1. J 03	OIL SUMP PAN-4.0 LITRE-V8 ..... 1. J 06
ELECTRICAL DISTRIBUTION SYSTEM ..... 2 C		
INFORMATION SYSTEMS AND CONTROLS ..... 2 E		
BATTERY/STARTER MOTOR/ALTERNATOR ..... 2 F		
IN CAR ENTERTAINMENT ..... 2 G		
LIGHTING - EXTERIOR/INTERIOR ..... 2 H		
LOCKING/SECURITY SYSTEMS/HORNS ..... 2 I		
SEATING ..... 2 J		
OCCUPANT RESTRAINTS ..... 2 L		
INTERIOR TRIM AND LININGS ..... 2 M		
EXTERIOR FITTINGS AND SUNROOF ..... 3 C		
BODY CLOSURES AND SEALING ..... 3 D		
BODY METAL PANELS AND SEALING ..... 3 G		
ACCESSORIES/CONSUMABLES/INDEX ..... 3 H		

GEARBOX-4.0 LITRE-V8-AUTOMATIC

Illus	Part Number	Description	Quantity	Change Point	Remarks
	1 NJA 4400AF N	Automatic gearbox -new .....	1	] (1)	
	1 NJA 4400AF E	Automatic gearbox -remanufactured unit .....	1		
	1 NJA 4400AG N	Automatic gearbox -new .....	1	] (2)	
	1 NJA 4400AG E	Automatic gearbox -remanufactured unit .....	1		
	1 NJB 4400AB N	Automatic gearbox -new .....	1	] (3)	
	1 NJB 4400AB E	Automatic gearbox -remanufactured unit .....	1		
	1 NJB 4400BA N	Automatic gearbox -new .....	1	] (4).....	] Mexico
	1 NJB 4400BA E	Automatic gearbox -remanufactured unit .....	1		
	1 NNE 4400CA N	Automatic gearbox -new .....	1	] (5).....	
	1 NNE 4400CA E	Automatic gearbox -remanufactured unit .....	1		
	JLM 20207	Level plug-gearbox-M14 .....	2		
	JLM 20208	Level plug-gearbox-M18 .....	1		
	JLM 20209	Oil relief valve plug-gearbox .....	1		
	JLM 20214	Screw plug-gearbox .....	1		
	NTF 4435AA	Drive coupling-propshaft to gearbox .....	1		
	JFB 110087	Flange head bolt-gearbox to engine .....	16		
	JLM 20568	Gearbox extension housing .....	1		
	HJB 3770BA	Water deflector-gearbox .....	1		



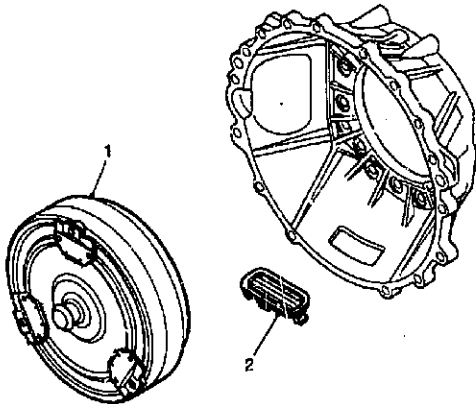
TG6088

CHANGE POINTS:

- (1) To (V) 009694
- (2) From (V) 009695 To (V) 018107
- (3) From (V) 018108
- (4) To (V) 031302
- (5) From (V) 031303

TORQUE CONVERTER AND HOUSING: 4.0 LITRE-V8

Illus	Part Number	Description	Quantity	Change Point	Remarks
	1 NTF 4415ABM	Torque converter-new .....	1	] (1)	
	1 NTF 4415ABE	Torque converter-remanufactured unit.....	1		
	1 NTF 4415AC	Torque convs. ter-new .....	1	(2)	
	1 NTF 4415BC	Torque converter-new .....	1		..... Mexico
	2 NJA 4465AA	Stoneguard-gearbox-torque converter housing -solid .....	1		



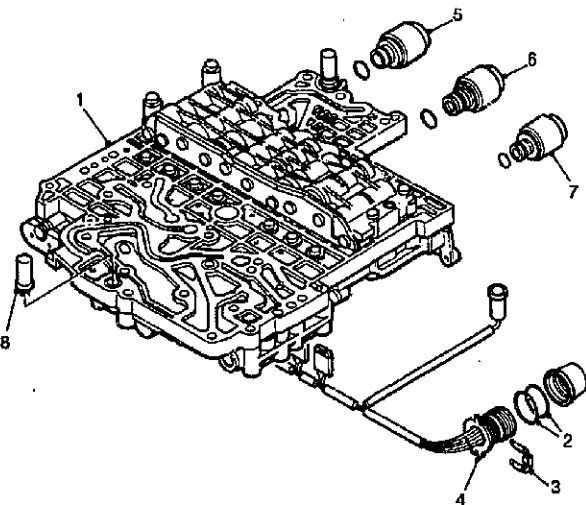
TG 6400

CHANGE POINTS:

(1) To (V) 018107

(2) From (V) 016108

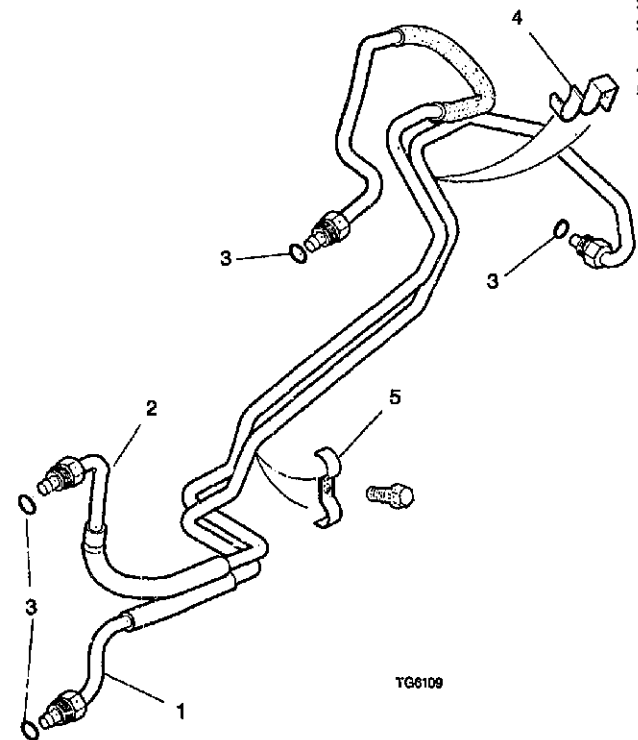
Illus	Part Number	Description	Quantity	Change Point	Remarks
1	NTF 4410AB	Control valve-gearbox.....	1		
2	JLM 20212	O-ring-gearbox.....	2		
3	JLM 20213	Retaining clip-gearbox.....	1		
4	JLM 20218	Gearbox internal harness-gearbox.....	1		
5	JLM 20219	Solenoid shift valve-gearbox.....	3		
6	JLM 20220	Pressure regulator-gearbox.....	4		
7	JLM 20221	Pressure regulator-gearbox.....	1		
8	JLM 2173	Speed sensor-gearbox.....	2		





GEARBOX OIL COOLER PIPES-4.0 LITRE-V8

Illus	Part Number	Description	Quantity	Change Point	Remarks
1	NJA 4500CB	OIL COOLER OUTPUT PIPE-MALE-M18.....	1	(1)	
1	NJB 4500AB	OIL COOLER OUTPUT PIPE-FEMALE-M20.....	1	(2)	
1	NJC 4500AA	OIL COOLER OUTPUT PIPE.....	1	(3)	
3	EBC 4899	• O-ring .....	2		
2	NJA 4510CB	OIL COOLER RETURN PIPE-MALE-M18 .....	1	(1)	
2	NJB 4510AA	OIL COOLER RETURN PIPE-FEMALE-M20.....	1	(4)	
3	EBC 4899	• O-ring .....	2		
4	NNC 4520DA	Oil cooler pipe bracket.....	1		
5	JZP 100027	Pipe clip-oil cooler pipe .....	1		
	JFS 106127	Flange head screw .....	1		

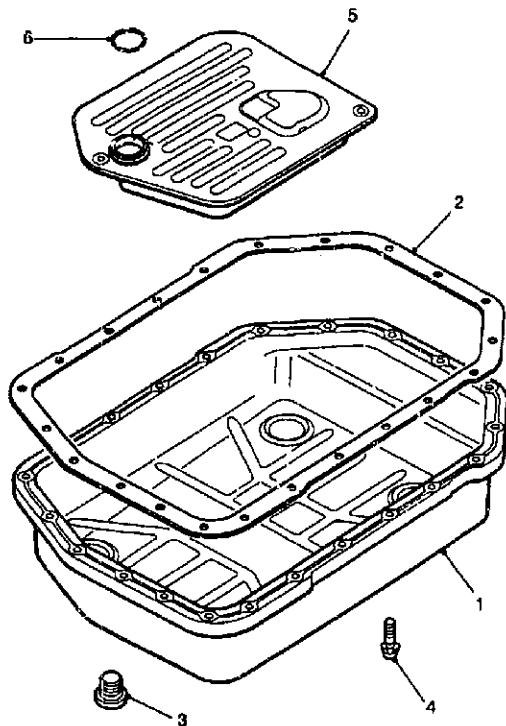


CHANGE POINTS:

- (1) To (V) 018107
- (2) From (V) 018108 To (V) 024973
- (3) From (V) 024974
- (4) From (V) 018108

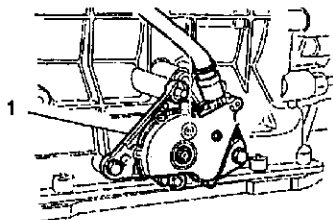
OIL SUMP PAN-4.0 LITRE-V8

Illus	Part Number	Description	Quantity	Change Point	Remarks
1	JLM 20215	Oil sump pan-gearbox .....	1		
2	JLM 20204	Oil sump gasket-gearbox .....	1		
3	JLM 20205	Oil sump drain plug-gearbox.....	1		
4	JLM 888	Cap screw.....	22		
5	JLM 20216	Sump filter-gearbox .....	1		
6	JLM 20217	O-ring-gearbox-filter to control valve.....	1		



TG 8397

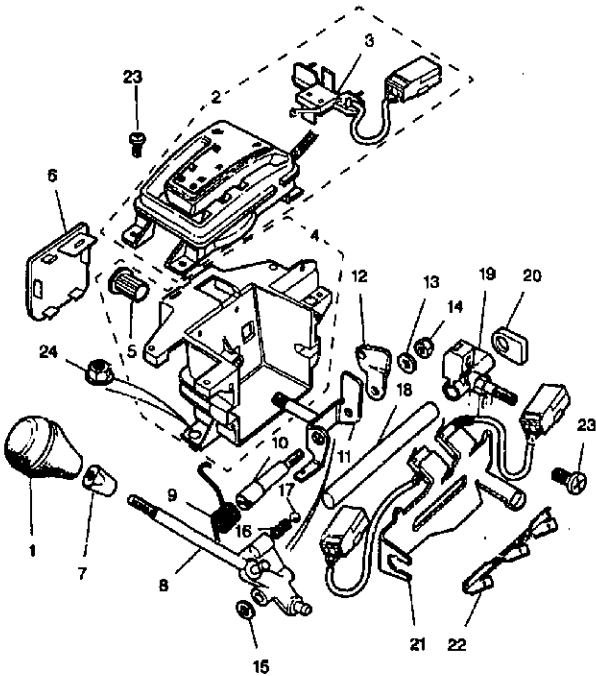
Illus	Part Number	Description	Quantity	Change Point	Remarks
1	LJA 62C1AC	Rotary switch-gearbox.....	1		



TG6182

GEAR CHANGE CONTROL-AUTOMATIC

Illus	Part Number	Description	Quantity	Change Point	Remarks
1	MNA 4957BA	Gear change knob-wooden-walnut-without logo .....	1		
1	MNA 4957CA	Gear change knob-wooden-birds eye maple-Black .....	1		
1	MJA 4950AA AGE	Gear change knob-Antelope .....	1		
1	MJA 4950AA AEK	Gear change knob-Sable .....	1		
1	MJA 4950AA HDV	Gear change knob-Dark teal .....	1		
1	MJA 4950AA LEG	Gear change knob-Warm charcoal .....	1		
1	MJA 4950AA SDC	Gear change knob-Coffee .....	1		
2	LJA 6195BD	GEAR SELECTOR ILLUMINATION MODULE .....	1	(1)	
2	LJA 6195BE	GEAR SELECTOR ILLUMINATION MODULE .....	1	(2)	
2	LJA 6195BF	GEAR SELECTOR ILLUMINATION MODULE .....	1	(3)	
3	JLM 20304	• Switch-J-gate .....	1		
	JLM 20731	Illumination module gasket .....	1		
4	MJA 4912AB	HOUSING AND SLEEVE -J-GATE .....	1		
5	MJA 4914AA	• Pivot bush .....	1		
6	MJA 4933AA	Selector cover-J-gate .....	1	(1)	
	LNC 3890TA	Harness bracket-console .....	1	(4)	
7	CAC 7835	Core .....	1		
8	MNA 4915AB	Gearshift hand lever-J-gate .....	1		
9	CAC 9068	Tension spring .....	1		
10	MNA 4922AA	Pivot pin .....	1		
11	MNA 4920AA	Pivot bracket-assembly .....	1	(5)	
11	MNA 4920AB	Pivot bracket-assembly .....	1	(6)	
12	MNA 4919AB	Change over plate-gearbox .....	1		
13	WA 106041J	Plain washer-0.25" I/d .....	1		
14	NY 106041J	Nyloc nut .....	1		
15	CAC 9071	Nylon washer .....	1		
16	CBC 1751	Compression spring .....	1		
17	CAC 73253	Ball bearing .....	1		
18	MJA 4949AA	Slider bar-J-gate .....	1		
19	CCC 8941	Sliding block-assembly .....	1		..... Except 4.0 Litre supercharged
20	MJA 4948AA	Mounting rubber-J-gate .....	2		



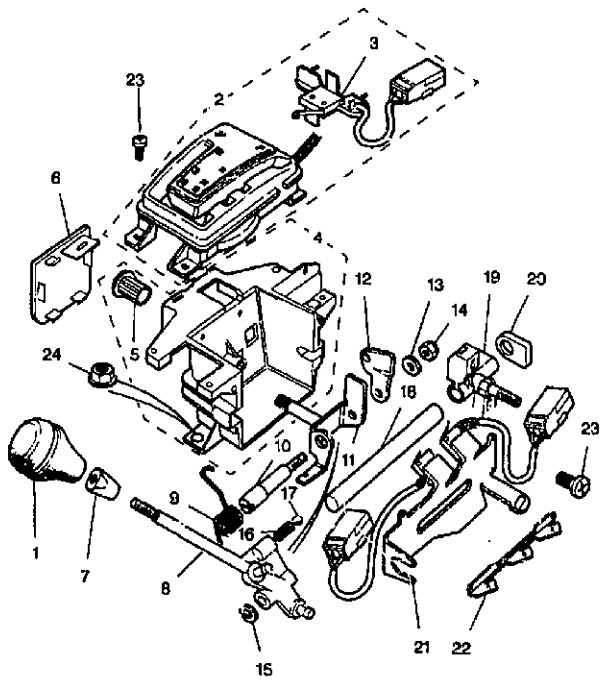
TG6266

CHANGE POINTS:

- (1) To (V) 018107
- (2) From (V) 018108 To (V) 025431
- (3) From (V) 025432
- (4) From (V) 018108
- (5) To (V) 027413
- (6) From (V) 027414

GEAR CHANGE CONTROL-AUTOMATIC

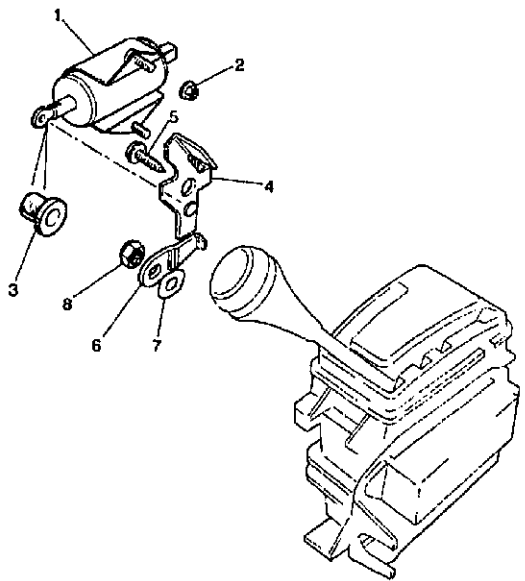
Illus	Part Number	Description	Quantity	Change Point	Remarks
21	MJA 4940AE	Mounting plate-gearshift .....	1	(1)	
21	MJA 4940AF	Mounting plate-gearshift .....	1	(2)	
21	MJA 4940AG	Mounting plate-gearshift .....	1	(3)	
22	LJA 3890VA	Connector bracket-I-gate .....	1		
23	SL 104121 J	Tapite screw .....	8		
24	FN 106041	Flange nut-M6 .....	2		



T06286

CHANGE POINTS:  
 (1) To (V) 018107  
 (2) From (V) 018108 To (V) 024162  
 (3) From (V) 024163

Illus	Part Number	Description	Quantity	Change Point	Remarks
	1 DBC 11071	Solenoid-gearshift interlock .....	1	(1)	
	1 LNA 5650AA	Solenoid-gearshift interlock .....	1	(2)	
	2 FN 106041 J	Flange nut-M6.....	2		
	3 MNA 4974AA	Rubber bush-gearshift interlock .....	1	(2)	
	4 MNA 4935AB	Latch and pin -assembly.....	1		
	5 AGU 1498	Self tapping screw .....	NLA		Use JZH100006.
	6 MNA 4928AA	Operating lever-J-gate .....	1		
	7 JZW 100011	Wave washer .....	1		
	8 NY 108041 J	Self locking nut .....	1		

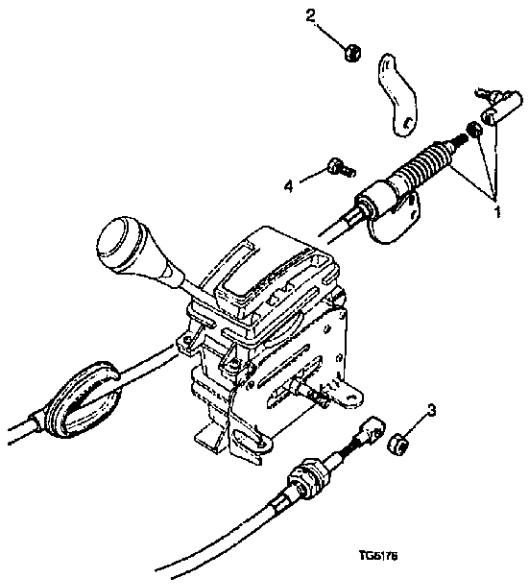


SG6543

CHANGE POINTS:  
(1) To (V) 018107  
(2) From (V) 018108

GEAR CONTROL CABLE

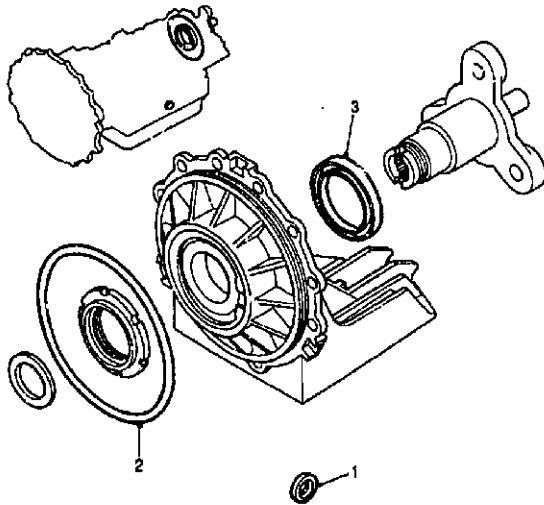
Illus	Part Number	Description	Quantity	Change Point	Remarks
	1 MJA 4830AC	Gear control cable-assembly .....	1	(1)	
	1 MJA 4830AE	Gear control cable .....	1	(2)	
	2 AGU 2580	Plain nut-M8.....	1		
	AGU 1058 J	Tie strap.....	1		
	KTA 804805	Mounting cable tie.....	1		
	3 JFY 108041	Nut-M8.....	1		
	4 FS 106251 J	Flange head screw .....	2		



CHANGE POINTS:  
(1) To (V) 01B107  
(2) From (V) 01B108

SERVICE KIT

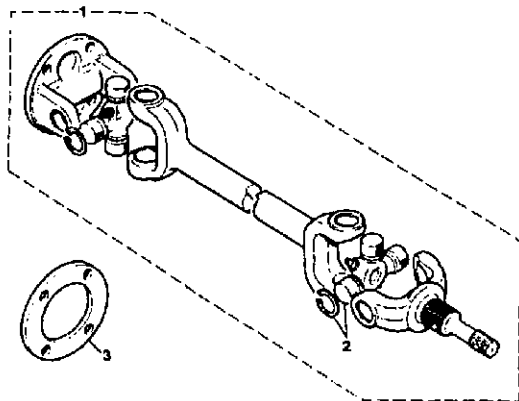
Illus	Part Number	Description	Quantity	Change Point	Remarks
1	JLM 866	Shaft seal-gearbox.....	2		
2	JLM 20210	O-ring-gearbox-rear mounting.....	1		
3	JLM 20211	Output shaft oil seal-gearbox-rear mounting.....	1		





HALFSHAFT ASSEMBLY

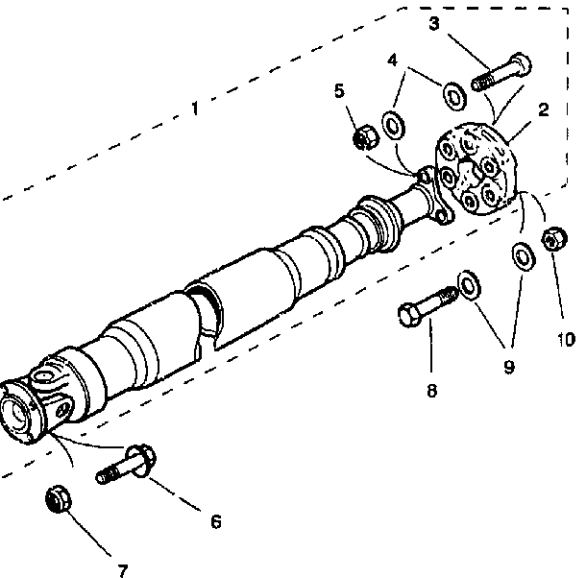
Illus	Part Number	Description	Quantity	Change Point	Remarks
1	CBC 2268	HALFSHAFT-ASSEMBLY .....	2		
2	JLM 1388	• Universal joint .....	4		
3	CBC 480835	Halfshaft spacer-3.5mm .....	A/R		
3	CBC 480840	Halfshaft spacer-4mm .....	A/R		
3	CBC 480845	Halfshaft spacer-4.5mm .....	A/R		
3	CBC 480850	Halfshaft spacer-5mm .....	A/R		
3	CBC 480855	Halfshaft spacer-5.5mm .....	A/R		
3	CBC 480860	Halfshaft spacer-6mm .....	A/R		
3	CBC 480865	Halfshaft spacer-6.5mm .....	A/R		
3	CBC 480870	Halfshaft spacer-7.0mm .....	A/R		
3	CBC 480875	Halfshaft spacer-7.5mm .....	A/R		
NV	607041 J	Cleveloc nut .....	8		



T02125

PROPSHAFT ASSEMBLY

Illus	Part Number	Description	Quantity	Change Point	Remarks
1	NJA 5800CB	PROPSHAFT.....	1		
2	CBC 8098	• Flexible jurid coupling.....	1		
3	CBC 8174	• Coupling bolt.....	3		
4	CBC 8067	• Coupling washer.....	6		
5	NV 112051 J	• Locknut.....	3		
6	JFT 11030E	Flanged head screw.....	4	(1)	
6	JFT 11030EM	Flanged head screw.....	4	(2)	
7	JZN 100053	Lokut nut-M10.....	4		
8	CBC 8174	Coupling bolt.....	3		
9	CBC 8067	Coupling washer.....	6		
10	NV 112051 J	Locknut.....	3		



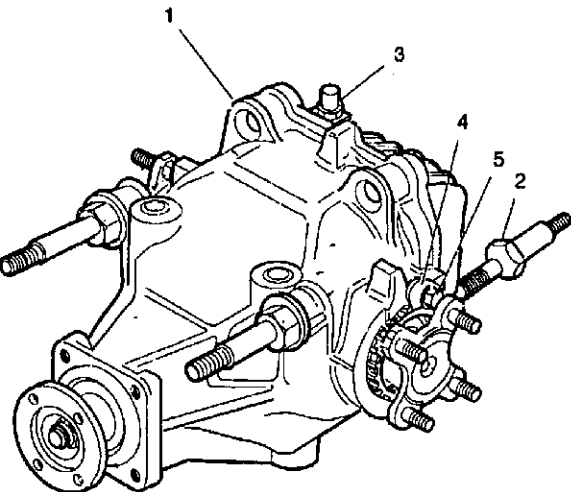
T06222

CHANGE POINTS:

(1) To (V) 028541

(2) From (V) 028542

Illus	Part Number	Description	Quantity	Change Point	Remarks
	1 JLM 20151	DIFFERENTIAL-ASSEMBLY-3.06:1 .....	1	(1)	
	1 JLM 20767	DIFFERENTIAL-ASSEMBLY-3.06.1 .....	1	(2)	
	2 JLM 20322	• Tie stud-rear .....	2		..... Part of JLM20151.
	3 JLM 20323	• Differential case breather .....	1		
	4 JLM 20330	• Lock tab-bearing-housing .....	2		
	5 JLM 20333	• Bolt -M8-bearing-housing .....	2		
	JLM 20916	• End cover-differential .....	1		
	JLM 632	• Female plug -0.75" bsp .....	1		
	JLM 20332	• End cover bolt-M8 .....	6		
	JLM 20334	• Pinion tail bearing .....	1		
	JLM 20335	• Pinion head bearing .....	1		
	JLM 20187	• Differential gear - assembly .....	1		
	JLM 20168	• CROWNWHEEL AND PINION-ASSEMBLY .....	1		
	JLM 20325	• • Spacer kit-differential .....	1		
	JLM 11840	• • Pinion locknut .....	1		
	JLM 20331	• • Drive gear bolt-M12 .....	10		
	JLM 20249	• AXLE SHAFT-ASSEMBLY .....	2		
	JLM 20248	• • SI I AFT AND STUD-ASSEMBLY .....	1		
	JLM 624	• • • Stud .....	4		
	JLM 20328	• • Bearing retaining collar .....	1		
	JLM 20329	• • Bearing circlip-bearing-housing .....	1		
	JLM 20337	• • DIFFERENTIAL SHAFT BEARING .....	1		
	JLM 20451	• • • Sealing ring-differential .....	1		
	JLM 20327	• Bearing housing O-ring-differential .....	2		
	JLM 20250	• Shim kit-pinion tail-bearing .....	1		
	JLM 20251	• Shim kit-pinion head-bearing .....	1		
	JLM 20336	• Differential bearing .....	2		
	JLM 20601	• COMPANION FLANGE KIT .....	1		
	JLM 20326	• • Pinion oil seal-differential .....	1		
	JLM 11840	• • Pinion locknut .....	1		
	2 NNC 5715AA	• Tie stud-rear .....	2		..... Part of JLM20787.
	1 JLM 20767 E	Differential-assembly-3.06:1-remanufactured unit .....	1	(2)	



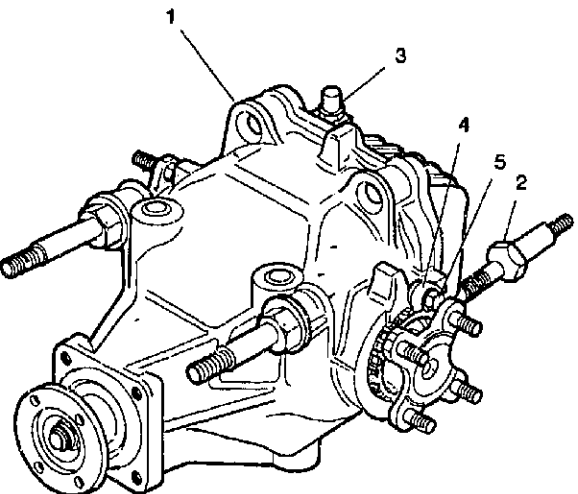
TG0226

CHANGE POINTS:

(1) To (V) 028541

(2) From (V) 028542

Illus	Part Number	Description	Quantity	Change Point	Remarks
	1 JLM 20621	DIFFERENTIAL-ASSEMBLY-3.27:1 .....	1	(1).....	] Mexico Part of JLM20621.
	1 JLM 20768	DIFFERENTIAL-ASSEMBLY-3.27:1 .....	1	(2).....	
	2 JLM 20322	• Tie stud-rear .....	2		
	3 JLM 20323	• Differential case breather .....	1		
	4 JLM 20330	• Lock tab-bearing-housing .....	2		
	5 JLM 20333	• Bolt -M8-bearing-housing .....	2		
	JLM 20916	• End cover-differential .....	1		
	JLM 832	• Female plug -0.75" bsp .....	1		
	JLM 20332	• End cover bolt-M8 .....	6		
	JLM 20334	• Pinion tail bearing .....	1		
	JLM 20335	• Pinion head bearing .....	1		
	JLM 20331	• Drive gear bolt-M12 .....	10		
	JLM 20325	• Spacer kit-differential .....	1		
	JLM 20249	• AXLE SHAFT-ASSEMBLY .....	2		
	JLM 20248	•• SHAFT AND STUD-ASSEMBLY .....	1		
	JLM 624	••• Stud .....	4		
	JLM 20328	•• Bearing retaining collar .....	1		
	JLM 20329	•• Bearing circlip-bearing-housing .....	1		
	JLM 20337	•• DIFFERENTIAL SHAFT BEARING .....	1		
	JLM 20451	••• Sealing ring-differential .....	1		
	JLM 20327	• Bearing housing O-ring-differential .....	2		
	JLM 20250	• Shim kit-pinion tail-bearing .....	1		
	JLM 20251	• Shim kit-pinion head-bearing .....	1		
	JLM 20336	• Differential bearing .....	2		
	JLM 20601	• COMPANION FLANGE KIT .....	1		
	JLM 20326	• Pinion oil seal-differential .....	1		
	JLM 11840	•• Pinion locknut .....	1		
	2 NNC 5715AA	• Tie stud-rear .....	2		..... Part of JLM20768.
	1 JLM 20621 E	Differential-assembly-3.27:1-remanufactured unit .....	1	(1).....	] Mexico
	1 JLM 20768 E	Differential-assembly-3.27:1-remanufactured unit .....	1	(2).....	
	JLM 20255	Final drive oil-500ml bottle .....	A/R		



TG6229

CHANGE POINTS:

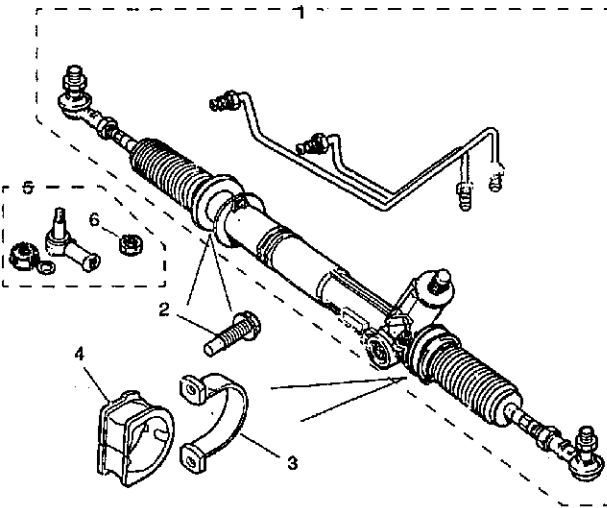
(1) To (V) 028541

(2) From (V) 028542

MASTER INDEX	GROUP INDEX	
ENGINE ..... 1 D		
ENGINE MANAGEMENT/EMISSION SYSTEMS ..... 1 F		
AIR AND FUEL DELIVERY SYSTEMS ..... 1 G		
ENGINE COOLING SYSTEM ..... 1 H		
EXHAUST SYSTEM AND COMPONENTS ..... 1 I		
TRANSMISSION AND DRIVELINE ..... 1 J		
STEERING AND SUSPENSION ..... 1 K		
BRAKING SYSTEM ..... 1 M		
AIR CONDITIONING/HEATING/VENTILATION ..... 1 N		
WIPER AND WASHER SYSTEMS ..... 1 O		
ELECTRICAL DISTRIBUTION SYSTEM ..... 2 C		
INFORMATION SYSTEMS AND CONTROLS ..... 2 E		
BATTERY/STARTER MOTOR/ALTERNATOR ..... 2 F		
IN CAR ENTERTAINMENT ..... 2 G		
LIGHTING - EXTERIOR/INTERIOR ..... 2 H		
LOCKING/SECURITY SYSTEMS/HORNS ..... 2 I		
SEATING ..... 2 J		
OCCUPANT RESTRAINTS ..... 2 L		
INTERIOR TRIM AND LININGS ..... 2 M		
EXTERIOR FITTINGS AND SUNROOF ..... 3 C		
BODY CLOSURES AND SEALING ..... 3 D		
BODY METAL PANELS AND SEALING ..... 3 G		
ACCESSORIES/CONSUMABLES/INDEX ..... 3 H		
	ANTI ROLL BAR ..... 1. K 09	ANTI ROLL BAR-FRONT ..... 1. K 09
	CROSSBEAM AND MOUNTINGS-FRONT ..... 1. K 16	ANTI ROLL BAR-REAR ..... 1. K 10
	HUB AND CARRIER-REAR ..... 1. K 17	CROSSBEAM ASSEMBLY-FRONT-4.0 ..... 1. K 16
	POWER STEERING PUMP ..... 1. K 04	FRAME CARRIER-REAR ..... 1. L 03
	POWER STEERING RACK ASSEMBLY ..... 1. K 02	HUB AND VERTICAL LINK ..... 1. K 13
	ROAD SPRING AND DAMPER-REAR ..... 1. L 02	HUB CARRIER AND HUB ASSEMBLY-REAR ..... 1. K 17
	STEERING COLUMN ..... 1. K 05	ROAD SPRING AND DAMPER-FRONT ..... 1. K 11
	STEERING RESERVOIR, COOLER AND ..... 1. K 03	ROAD SPRING AND DAMPER-REAR ..... 1. L 02
	STEERING WHEEL ..... 1. K 07	ROAD WHEEL BADGE ..... 1. L 07
	SUBFRAME AND MOUNTINGS-REAR ..... 1. L 03	ROAD WHEEL-5 SPOKE-CHROME ..... 1. L 08
	SUSPENSION WISHBONES AND ARMS ..... 1. L 05	ROAD WHEEL-5 SPOKE-PAINTED ..... 1. L 09
	WHEELS ..... 1. L 07	SPARE WHEEL MOUNTING ..... 1. L 10
	WISHBONE AND HUB ASSEMBLY-FRONT ..... 1. K 13	STEERING COLUMN-LOWER ..... 1. K 06
		STEERING COLUMN-UPPER ..... 1. K 05
		STEERING CONTROL MODULE ..... 1. L 11
		STEERING PUMP-4.0 LITRE-V6 ..... 1. K 04
		STEERING RACK AND PINION ..... 1. K 02
		STEERING RESERVOIR AND HOSES ..... 1. K 03
		STEERING WHEEL ..... 1. K 07
		WISHBONE-FRONT-UPPER AND LOWER ..... 1. K 14
		WISHBONES AND MOUNTING-REAR ..... 1. L 05
		Wheel hub-front ..... 1. K 13

STEERING RACK AND PINION

Illus	Part Number	Description	Quantity	Change Point	Remarks
	1 MJA 3901AD N	Steering rack and pinion-new .....	1	(1)	
	1 MJA 3901AD E	Steering rack and pinion-remanufactured unit .....	1		
	1 MNC 3901BB N	Steering rack and pinion-new .....	1	(2)	
	1 MNC 3901BB E	Steering rack and pinion-remanufactured unit .....	1		
	1 MNC 3901BC N	Steering rack and pinion-new .....	1	(3)	
	1 MNC 3901BC E	Steering rack and pinion-remanufactured unit .....	1		
	1 MJC 3901AB N	Steering rack and pinion-new .....	1	(4)	
	1 MJC 3901AB E	Steering rack and pinion-remanufactured unit .....	1		
	2 JFU 11030E M	Flanged head screw-steering rack and pinion .....	4	(5)	] Pinion and
	JZS 100157	Hexagon flange screw .....	4	(4)	
	3 MJA 3952DA	Mounting bracket-steering rack and pinion .....	1	.....	
	4 MJA 3953AF	Rack mounting bush .....	1	(6).....	
	4 MJB 3953AA	Rack mounting bush .....	1	(7).....	] Except pinion and
	3 MJA 3952EA	Mounting bracket-steering rack and pinion .....	1	.....	
	4 MJA 3953BF	Rack mounting bush .....	1	(6).....	
	4 MJB 3953BA	Rack mounting bush .....	1	(7).....	
	5 JLM 1098	BALLJOINT KIT-ASSEMBLY-OUTER .....	2		
	6 JZN 100049	• Hexagonal nut-M12 .....	1		
	EAW 405	• Gaiter retainer .....	1		
	JLM 20656	Pinion housing replacement kit-steering rack and pinion .....	1		
	JLM 20683	Rack and pinion bellows .....	2		
	JLM 20684	Gaiter clip-large .....	2		
	JLM 20685	Gaiter clip-small .....	2		



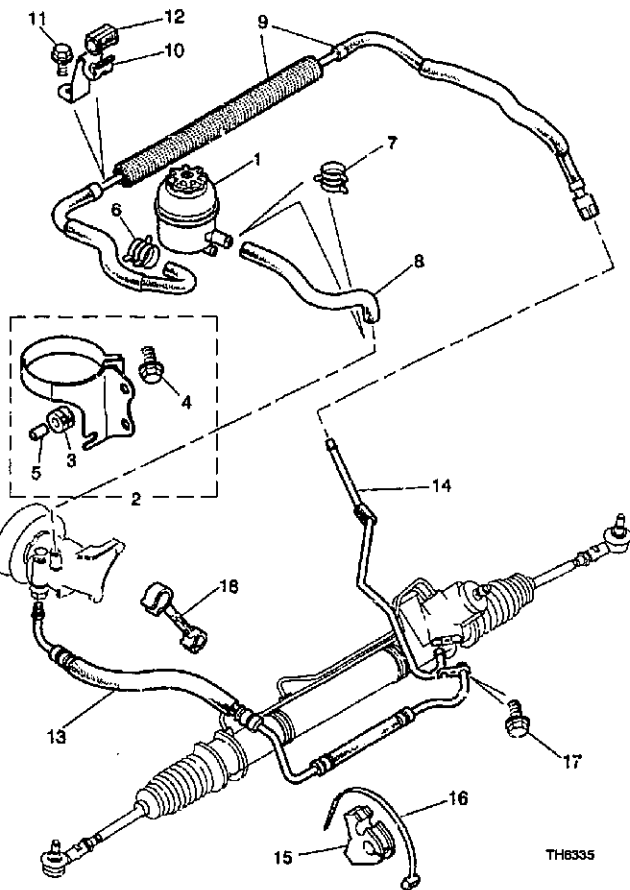
TH6216

CHANGE POINTS:

- (1) To (V) 018107
- (2) From (V) 018108 To (V) 019724
- (3) From (V) 019725 To (V) 031302
- (4) From (V) 031303
- (5) To (V) 031302
- (6) To (V) 024686
- (7) From (V) 024687

STEERING RESERVOIR AND HOSES

Illustration	Part Number	Description	Quantity	Change Point	Remarks
	1 MJA 4000AB	Power steering reservoir/cap.....	1	(1)	
	1 MJA 4000AC	Power steering reservoir/cap.....	1	(2)	
	2 MJA 4003AB	RESERVOIR MOUNTING BRACKET .....	1	(3)	
	2 MJB 4003AA	RESERVOIR MOUNTING BRACKET-POWER STEERING..	1	(4)	
	3 CBC 144E	• Condenser mounting grommet.....	2		
	4 FS 106165 P	• Flange head screw.....	2		
	5 JZT 100012	• Distance tube.....	2		
	DAC 4027 10	Edge finisher.....	1		
	6 JHC 302230	Hose clamp.....	1		
	7 JHC 302240	Hose clamp.....	2		
	8 MJA 3980AD	Low pressure hose-reservoir to pump.....	1		
	9 MJA 8084AB	Power steering oil cooler-assembly.....	1		
	10 MJA 8081AC	Oil cooler mounting bracket.....	2		
	11 JFS 10625F	Flange head screw.....	2		
	12 MJA 4021AB	Mounting isolator -oil cooler pipe.....	2		
	13 MJA 3985AF	HOSE-PUMP TO STEERING RACK.....	1		
	JLM 20366	• Sealing ring-power steering.....	1		
	KSR 805002	• O-ring-power steering.....	1		
	14 MJA 3999AC	HOSE.....	1		
	JLM 20672	• Seal.....	1		
	15 MJA 4021BC	Pipe isolator mounting.....	2		
	16 C 48294	Tie strap.....	2		
	17 JFS 108127	Flange head screw.....	1		
	18 KDP 210160	Swivel pipe clip-power steering-high pressure hose.....	1		

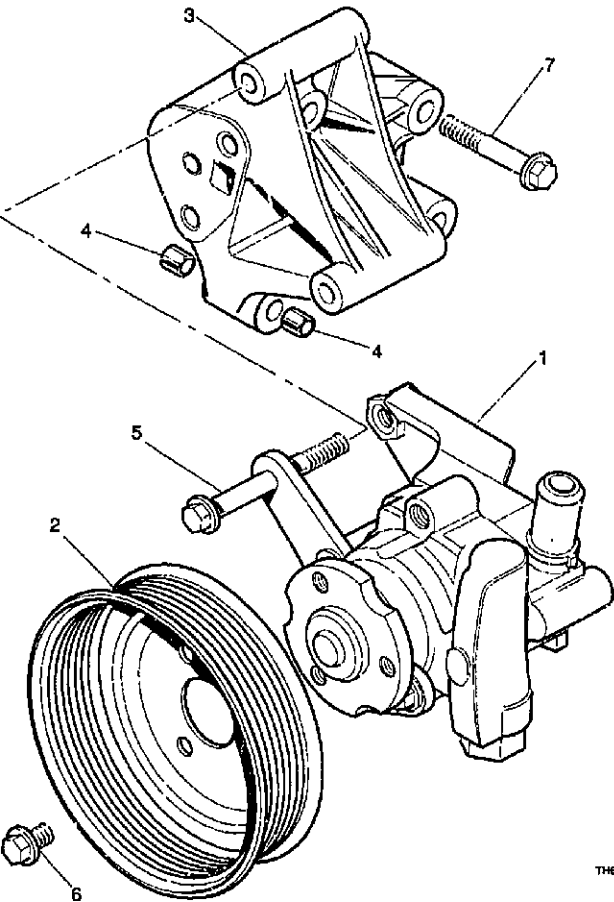


TH6335

CHANGE POINTS:

- (1) To (V) 003153
- (2) From (V) 003159
- (3) To (V) 021805
- (4) From (V) 021866

Illus	Part Number	Description	Quantity	Change Point	Remarks
	1 MJA 8111BF	Power steering pump.....	1	(1)	
	1 MJA 8111B3	Power steering pump.....	1	(2)	
	2 NCA 3740AC	Steering pump pulley.....	1		
	3 NCA 8301AB	Pump mounting bracket-pump to block.....	1		
	4 EAZ 2159	Dowel.....	3		
	5 JFB 10816B	Hexagonal head flanged bolt-M8 x 80mm-pump to bracket..	2		
	6 JZS 100068	Flange head screw-M8-10mm.....	3		
	7 JFB 10810B	Bolt -M8.....	2		



TH8255

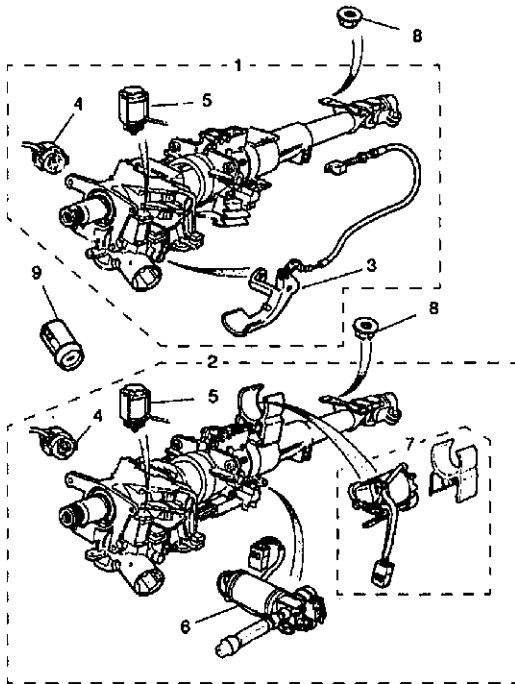
CHANGE POINTS:

(1) To (V) 016229

(2) From (V) 016230



Illus	Part Number	Description	Quantity	Change Point	Remarks
	1 HJA 9263AE	STEERING COLUMN-MANUAL ADJUST.....	1	(1)	
	3 JLM 12197	• Steering column reach cable repair kit-manual adjust.....	1		
	4 LNA 6507BB	• Steering column ignition switch .....	1		
	5 LNA 5860AA	• Interlock solenoid-key removal .....	1		
	1 HJA 9263AF	STEERING COLUMN-MANUAL ADJUST.....	1	(2)	
	3 JLM 12197	• Steering column reach cable repair kit-manual adjust.....	1		
	4 LNC 6507AA	• Steering column ignition switch .....	1		
	5 LNA 5860AA	• Interlock solenoid-key removal .....	1		
	2 HJA 9261AE	STEERING COLUMN-POWERED.....	1	(1)	
	4 LNA 6507BB	• Steering column ignition switch .....	1		
	5 LNA 5860AA	• Interlock solenoid-key removal .....	1		
	6 JLM 12186	• Steering column tilt motor kit.....	1		
	7 JLM 12187	• Steering column reach motor kit.....	1		
	2 HJA 9261AF	STEERING COLUMN-POWERED.....	1	(2)	
	4 LNC 6507AA	• Steering column ignition switch .....	1		
	5 LNA 5860AA	• Interlock solenoid-key removal .....	1		
	6 JLM 12186	• Steering column tilt motor kit.....	1		
	7 JLM 12187	• Steering column reach motor kit.....	1		
	8 JFY 10804B	Flange locking nut-M8 .....	4		
	9 BCC 7849	Lock barrel-single .....	1		
	HJA 9422AA	Steering column mounting bracket .....	1	(3)	
	HJA 9422AB	Steering column mounting bracket-upper .....	1	(4)	
	JHG 10825EM	Paint clearing screw.....	2		

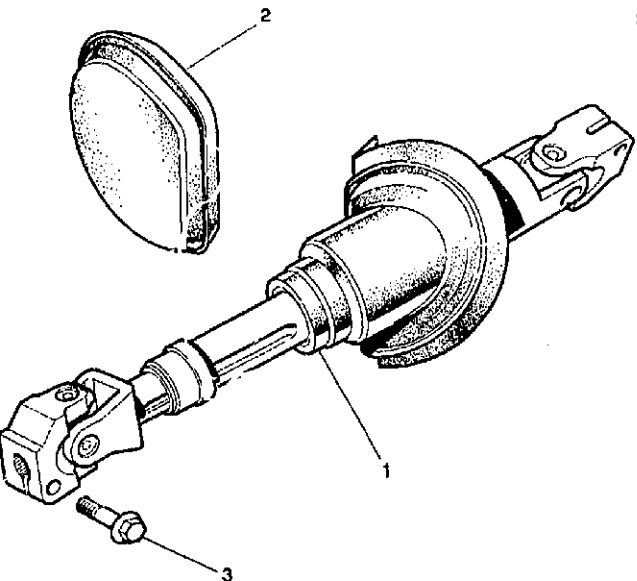


TH6294

CHANGE POINTS:

- (1) From (V) 012910 To (V) 025426
- (2) From (V) 025427
- (3) To (V) 024282
- (4) From (V) 024283

Illus	Part Number	Description	Quantity	Change Point	Remarks
1	HJA 9503DA	Steering column-lower .....	1	(1)	
1	HJB 8503AB	Steering column-lower .....	1	(2)	
1	HJB 9503AC	Steering column-lower .....	1	(5)	
2	HJA 9512BA	Blanking grommet.....	1	(3)	
2	HJA 9512BB	Blanking grommet.....	1	(4)	
3	JZB 100078	Pinch bolt-8mm X 35mm .....	2		

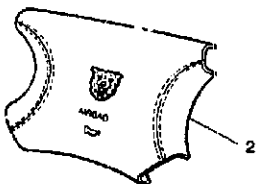
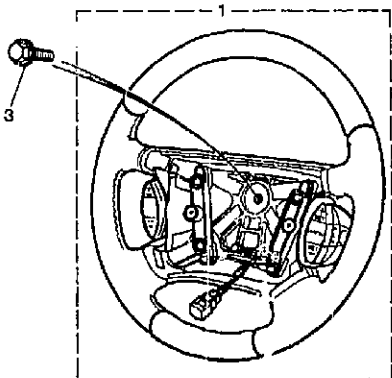


TH8228

CHANGE POINTS:

- (1) To (V) 024638
- (2) From (V) 024687 To (V) 031302
- (3) To (V) 009799
- (4) From (V) 009800
- (5) From (V) 031303

Illus	Part Number	Description	Quantity	Change Point	Remarks
	1 HNC 9181AB LEG	Steering wheel-grey wood-Warm charcoal .....	1		(1)
	1 HNC 9181AC LEG	Steering wheel-grey wood-Warm charcoal .....	1		(2)
	1 HNC 9181AD LEG	Steering wheel-grey wood-Warm charcoal .....	1		(3)
	1 HJB 9181FA LEG	Steering wheel-grey wood-Warm charcoal .....	1		(4)
	1 HJB 9181FB LEG	Steering wheel-grey wood-Warm charcoal .....	1		(5)
	1 HJA 9181JBAEK	Steering wheel-walnut-Sable .....	1	}	(1)
	1 HJA 9181JBAGE	Steering wheel-walnut-Antelope .....	1		
	1 HJA 9181JBHDV	Steering wheel-walnut-Dark teal .....	1		
	1 HJA 9181JBSDC	Steering wheel-walnut-Coffee .....	1		
	1 HJA 9181JB LEG	Steering wheel-walnut-Warm charcoal .....	1		
	1 HJA 9181JCAEK	Steering wheel-walnut-Sable .....	1	}	(2)
	1 HJA 9181JCA GE	Steering wheel-walnut-Antelope .....	1		
	1 HJA 9181JCHDV	Steering wheel-walnut-Dark teal .....	1		
	1 HJA 9181JCLEG	Steering wheel-walnut-Warm charcoal .....	1		
	1 HJA 9181JCSDC	Steering wheel-walnut-Coffee .....	1		
	1 HJA 9181JDAEK	Steering wheel-walnut-Sable .....	1	}	(3)
	1 HJA 9181JDA GE	Steering wheel-walnut-Antelope .....	1		
	1 HJA 9181JDHDV	Steering wheel-walnut-Dark teal .....	1		
	1 HJA 9181JDSDC	Steering wheel-walnut-Coffee .....	1		
	1 HJA 9181JD LEG	Steering wheel-walnut-Warm charcoal .....	1		
	1 HJB 9181DA AGE	Steering wheel-walnut-Antelope .....	1	}	(4)
	1 HJB 9181DA AEK	Steering wheel-walnut-Sable .....	1		
	1 HJB 9181DAL EG	Steering wheel-walnut-Warm charcoal .....	1		
	1 HJB 9181DA HDV	Steering wheel-walnut-Dark teal .....	1		
	1 HJB 9181DB AEK	Steering wheel-leather/walnut-Sable .....	1	}	(5)
	1 HJB 9181DB HDV	Steering wheel-wood/leather-Dark teal .....	1		
	1 HJB 9181DB LEG	Steering wheel-wood/leather-Warm charcoal .....	1		
	1 HJB 9181DB AGE	Steering wheel-leather/walnut-Antelope .....	1		



SH6494

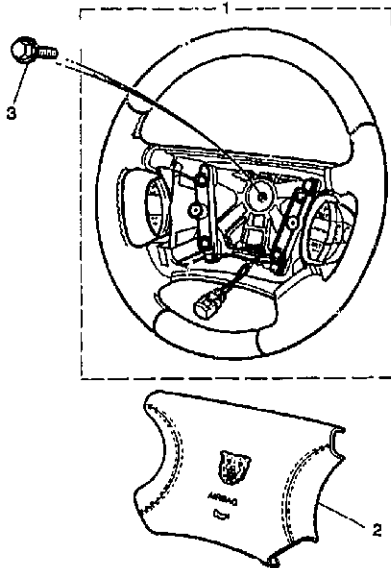
CHANGE POINTS:

- (1) To (V) 010614
- (2) From (V) 010615 To (V) 015735
- (3) From (V) 015736 To (V) 018107
- (4) From (V) 018108 To (V) 021739
- (5) From (V) 021740

STEERING WHEEL

STEERING WHEEL

Illus	Part Number	Description	Quantity	Change Point	Remarks
	1 HJA 9181UA LEG	Steering wheel-leather-Warm charcoal .....	1	(1)	
	1 HJA 9181UB LEG	Steering wheel-leather-Warm charcoal .....	1	(2)	
	1 HJA 9181UC LEG	Steering wheel-leather-Warm charcoal .....	1	(3)	
	1 HJB 9181HA LEG	Steering wheel-leather-Warm charcoal .....	1	(4)	
	1 HJB 9181HB LEG	Steering wheel-perforated leather-Warm charcoal .....	1	(5)	
	2 HJA 9180CCAEK	Airbag module-assembly-driver's side-Sable.....	1	} (6)	..... Use H.A9180CDLEG.
	2 HJA 9180CCAGE	Airbag module-assembly-driver's side-Antelope.....	1		
	2 HJA 9180CCHDV	Airbag module-assembly-driver's side-Dark teal .....	1		
	2 HJA 9180CCLEG	Airbag module-assembly-driver's side-Warm charcoal .....	NLA		
	2 HJA 9180CCSDC	Airbag module-assembly-driver's side-Coffee .....	1		
	2 HJA 9180CDAEK	Airbag module-assembly-driver's side-Sable.....	1	} (7)	
	2 HJA 9180CDAGE	Airbag module-assembly-driver's side-Antelope.....	1		
	2 HJA 9180CDHDV	Airbag module-assembly-driver's side-Dark teal .....	1		
	2 HJA 9180CDLEG	Airbag module-assembly-driver's side-Warm charcoal .....	1		
	2 HJA 9180CDSDC	Airbag module-assembly-driver's side-Coffee .....	1		
	2 HJA 9180CEAEK	Airbag module-assembly-driver's side-Sable.....	1	(8)	
	2 HJA 9180CEAGE	Airbag module-assembly-driver's side-Antelope.....	1	(8)	
	2 HJA 9180CEHDV	Airbag module-assembly-driver's side-Dark teal .....	1	(8)	
	2 HJA 9180CESDC	Airbag module-assembly-driver's side-Coffee .....	1	(8)	
	2 HJA 9180CELEG	Airbag module-assembly-driver's side-Warm charcoal .....	1	(8)	
	2 HJB 9180CBAEK	Airbag module-assembly-driver's side-Sable.....	1	(9)	
	2 HJB 9180CBAGE	Airbag module-assembly-driver's side-Antelope.....	1	(9)	
	2 HJB 9180CBHDV	Airbag module-assembly-driver's side-Dark teal .....	1	(9)	
	2 HJB 9180CBLEG	Airbag module-assembly-driver's side-Warm charcoal .....	1	(9)	
	3 JSH 11025BPJ	Screw/washer-assembly.....	1		

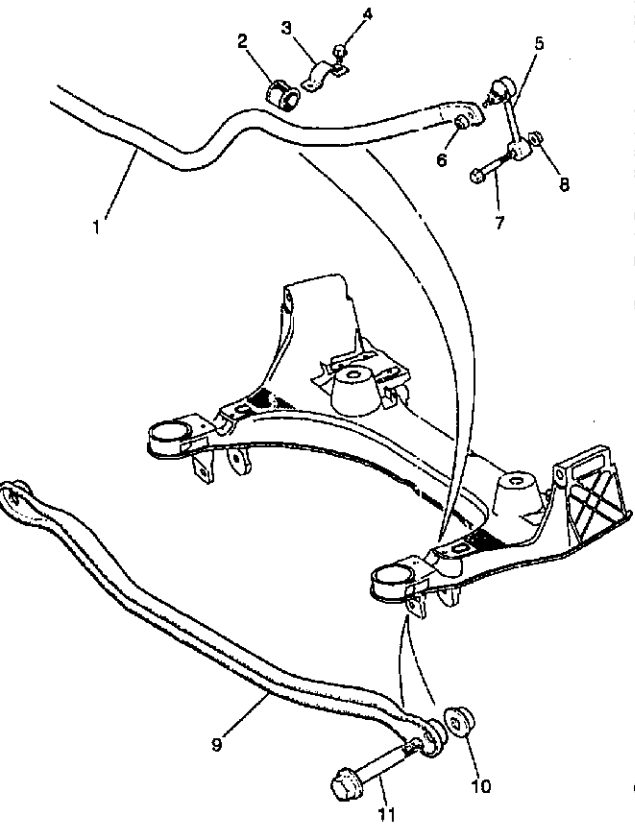


6H6494

CHANGE POINTS:

- (1) To (V) 010614
- (2) From (V) 010615 To (V) 015735
- (3) From (V) 015736 To (V) 018107
- (4) From (V) 018108 To (V) 021739
- (5) From (V) 021740
- (6) To (V) 015735
- (7) From (V) 015736 To (V) 020347
- (8) From (V) 020348 To (V) 031302
- (9) From (V) 031303

Illus	Part Number	Description	Quantity	Change Point	Remarks
	1	MJA 2100DF	Anti roll bar-front.....	1	(1)
	1	MJA 2100DH	Anti roll bar-front.....	1	(2)
	2	MJA 2102CE	Anti roll bar bush.....	2	
	3	MJA 2101AA	Anti roll bar mounting bracket.....	2	
	4	JFS 10818EP	Flange head screw.....	4	(3)
		JFT 10818EP	Hexagon flange screw-M8 x 18mm.....	4	(4)
	5	MJA 2105AE	Anti roll bar link-front.....	2	(5)
	5	MJA 2105AF	Anti roll bar link-front.....	2	(6)
	5	MJA 2105AG	Anti roll bar link-front.....	2	(7)
	5	MNC 2105AA	Anti roll bar link-front.....	1	(2)
	8	NY 112041 J	Locknut.....	2	
	7	FB 110171 J	Bolt.....	2	
	8	FN 110041 J	Flange nut-M10.....	2	
	9	MJA 2280AE	Fulcrum tie-front suspension.....	1	
	10	JFX 11404E	Locking nut.....	2	
	11	JZB 100071	Flange head bolt-14mm x 125mm.....	2	



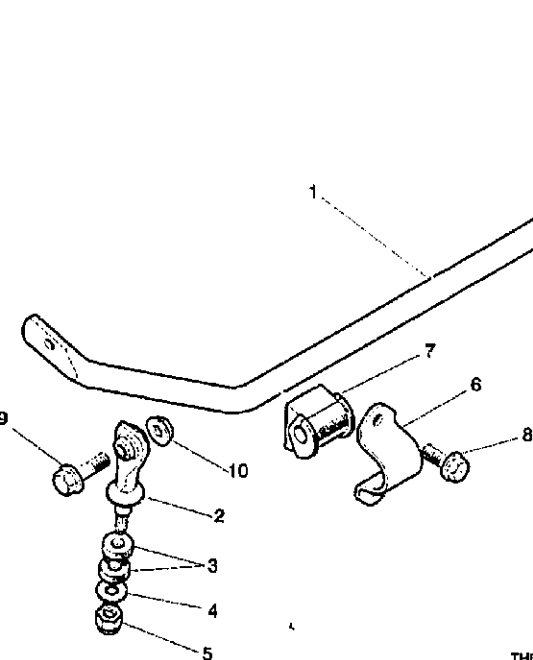
CHANGE POINTS:

- (1) To (V) 031302
- (2) From (V) 031303
- (3) To (V) 023370
- (4) From (V) 023371
- (5) To (V) 011117
- (6) From (V) 011118 To (V) 024698
- (7) From (V) 024687 To (V) 031302

TH6108

ANTI ROLL BAR-REAR

Illus	Part Number	Description	Quantity	Change Point	Remarks
1	MJA 3500F	Anti roll bar-rear .....	1		
2	MNA 3505AC	Anti roll bar link-assembly.....	NLA		Use MNA3505AD.
2	MNA 3505AD	Anti roll bar link-assembly.....	2	(1)	
2	MNA 3505AE	Anti roll bar link-assembly.....	2	(2)	
3	MNA 3504AB	Bush.....	4		
4	WC 110081 J	Plain washer .....	2		
5	NY 110041	Nut.....	2		
6	MNA 3501AA	Anti roll bar mounting bracket .....	2		
7	MJA 3502DD	Anti roll bar bush-rear .....	2		
8	JFS 11020F	Flange head screw .....	4		
9	FB 110081 J	Bolt .....	2		
10	FN 110041 J	Flange nut-M10.....	2		



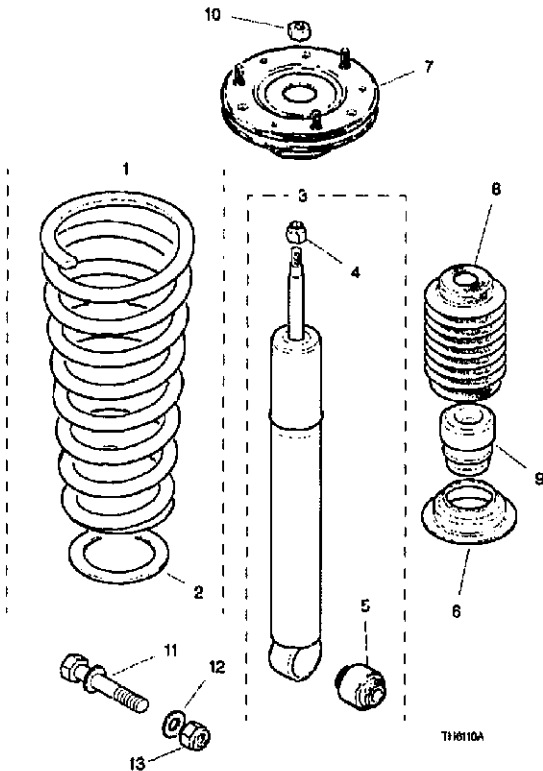
THB105

CHANGE POINTS:

(1) To (V) 024886

(2) From (V) 024887

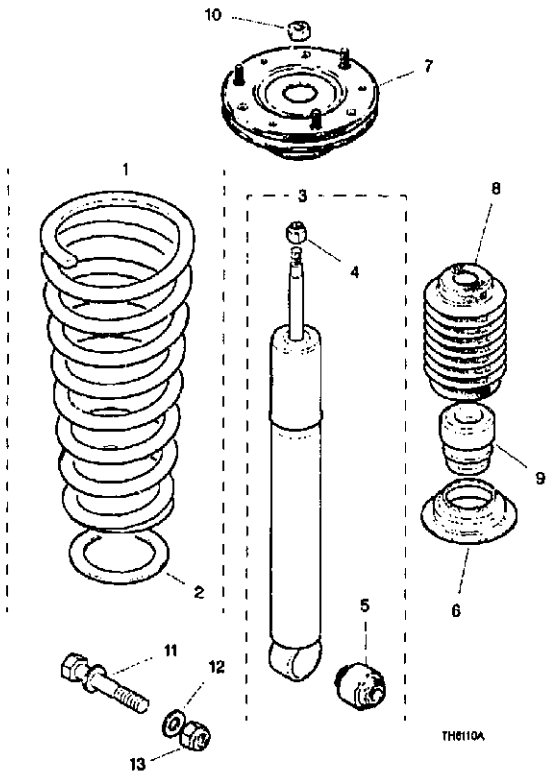
Illus	Part Number	Description	Quantity	Change Point	Remarks
1	JLM 20161	ROAD SPRING KIT-FRONT .....	1	(1).....	] Convertible 2+2
1	JLM 20408	ROAD SPRING KIT-FRONT .....	1	(2).....	
2	MJA 2162AA	* Spring packer-road spring .....	2		
1	JLM 20712	Road spring kit-front .....	1	(8).....	Convertible 2+2
1	JLM 20162	ROAD SPRING KIT-FRONT .....	1	(1).....	] Coupe
1	JLM 20409	ROAD SPRING KIT-FRONT .....	1	(2).....	
2	MJA 2162AA	* Spring packer-road spring .....	2		
1	JLM 20711	Road spring kit-front .....	1	(8).....	Coupe
	MJA 2162BA	Wedge packer .....	2	(1)	
	MJA 2162BB	Wedge packer -front lower .....	2	(3)	
	MJA 2162CA	Packer-front lower .....	2		
3	MJA 2140DG	SUSPENSION DAMPER-FRONT .....	NLA	(1).....	Use MJA2140DH.
3	MJA 2140DH	SUSPENSION DAMPER-FRONT .....	2	(3)	
4	NY 110041	* Nut .....	1		
5	MJA 2153AB	* Damper bush-front lower .....	1		
6	MJA 2166BA	Spring pan-front lower .....	2	(1)	
6	MJA 2166BB	Spring pan-front lower .....	NLA	(4).....	Use MJA2166BC.
6	MJA 2166BC	Spring pan-front lower .....	2	(5)	
7	MJA 2170BC	Spring/damper mounting-front suspension-upper .....	2	(6)	
7	MJA 2170BD	Spring/damper mounting-front suspension-upper .....	2	(7)	
8	MJA 2148AA	Damper gaiter .....	2		
9	MJA 2150BA	Spring assister .....	1		
	MJA 2189AA	Packing and locator -spring pan .....	2		



CHANGE POINTS:

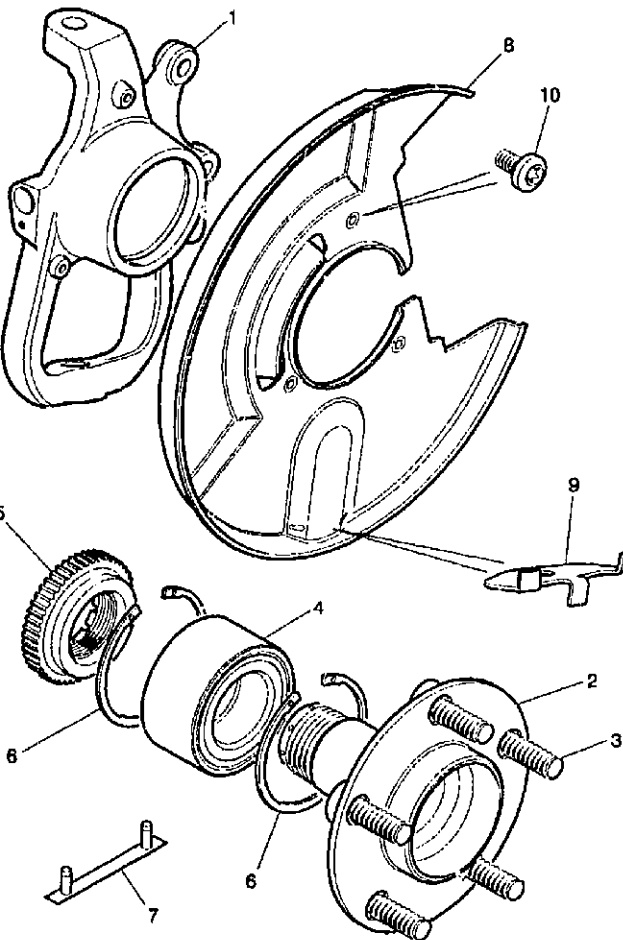
- (1) To (V) 014439
- (2) From (V) 014440 To (V) 031302
- (3) From (V) 014440
- (4) From (V) 014440 To (V) 024686
- (5) From (V) 024687
- (6) To (V) 019631
- (7) From (V) 019632
- (8) From (V) 031303

Illus	Part Number	Description	Quantity	Change Point	Remarks
10	JFX 10805B	Flange nut.....	6		
11	JBH 112167	Beam mounting/strut bolt.....	2		
12	WA 112081	Washer.....	4		
13	NY 112041	Nut.....	2		
	KCP 100003	Protection cap.....	6		
	KCP 100008	Protection cap.....	6		
	NJA 3975AB	Cover-damper.....	2		





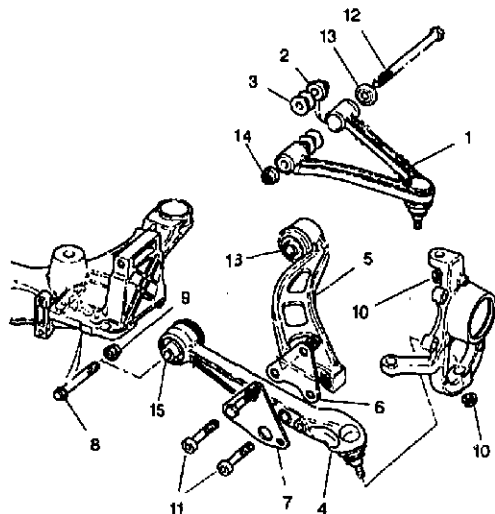
HUB AND VERTICAL LINK



Illus	Part Number	Description	Quantity	Change Point	Remarks
1	MJA 1828DA	Vertical link-RH.....	1	}	(1)
1	MJA 1829DA	Vertical link-LH.....	1		
1	MNC 1828AA	Vertical link-RH.....	2	}	(2)
1	MNC 1829AA	Vertical link-LH.....	2		
2	MJA 1837AE	WHEEL HUB-FRONT.....	2	}	(3)
3	CAC 3878	• Wheel stud.....	5		
2	MJA 1837AF	WHEEL HUB-FRONT.....	1	}	(4)
2	MNC 1837BA	WHEEL HUB-FRONT.....	1		
3	JZB 100064	• Wheel stud.....	5	}	(2)
4	MJA 1830AD	Wheel bearing-front axle.....	2		
4	MNC 1830AA	Wheel bearing-front axle.....	1	}	(1)
5	MJA 1849BE	Sensor rotor -front axle.....	2		
6	JCR 110765	Circlip-front suspension.....	4	}	(1)
6	JCR 110805	Circlip-front suspension.....	2		
7	MJA 1845AA	Spring pin-front suspension.....	2	}	(2)
8	MJA 1942AC	Disc shield -RH front.....	1		
8	MJA 1943AC	Disc shield -LH front.....	1	}	(5)
8	MJA 1932AA	Disc shield -RH front.....	1		
8	MJA 1933AA	Disc shield -LH front.....	1	}	(6)
9	MJA 1964AA	Shield bracket.....	2		
9	MJA 1964AB	Shield bracket.....	2	}	(7)
10	JXA 10612E M	Torx pan head machine screw.....	6		
	JZB 100010	Special bolt-caliper to vertical link.....	4	}	(8)

CHANGE POINTS:

- (1) To (V) 031302
- (2) From (V) 031303
- (3) To (V) 008233
- (4) From (V) 008234 To (V) 031302
- (5) To (V) 019955
- (6) From (V) 019956
- (7) To (V) 003164
- (8) From (V) 003165 To (V) 019955



Illus	Part Number	Description	Quantity	Change Point	Remarks
	1	MJA 1420AH	UPPER WISHBONE-RH .....	1	] (1)
	1	MJA 1421AH	UPPER WISHBONE-LH .....	1	
	2	MJA 1462AB	• Wishbone bush-upper .....	2	] (2)
		MJA 1450BA	• Balljoint-upper-front suspension.....	1	
	1	MJB 1420AB	UPPER WISHBONE-RH .....	1	] (2)
	1	MJB 1421A3	UPPER WISHBONE-LH .....	1	
	2	MJA 1462AB	• Wishbone bush-upper .....	2	] (2)
		MNC 1450AA	• Balljoint-upper-front suspension.....	1	
	3	MJA 1467AA	Pivot pin shim -front suspension-thick .....	4	
	3	MJA 1467BA	Pivot pin shim -front suspension-thin .....	4	
	4	MJA 1340AF	LOWER WISHBONE-RH REAR .....	1	(3)
	4	MJA 1340AG	LOWER WISHBONE-RH REAR .....	1	(4)
	4	MJB 1340AA	LOWER WISHBONE-RH REAR .....	1	(2)
	15	MJA 1360BA	• Wishbone bush-lower -black.....	1	
	4	MJA 1341AF	LOWER WISHBONE-LH REAR .....	1	(3)
	4	MJA 1341AG	LOWER WISHBONE-LH REAR .....	1	(4)
	4	MJB 1341AA	LOWER WISHBONE-LH REAR .....	1	(2)
	15	MJA 1360BA	• Wishbone bush-lower -black.....	1	
	5	MJA 1346AF	LOWER WISHBONE-FRONT.....	2	
	16	MJA 1380AF	• Wishbone bush-lower .....	1	
	6	MJA 1372AA	Damper mounting plate-RH front.....	1	
	6	MJA 1373AA	Damper mounting plate-LH front .....	1	
	7	MJA 1374AA	Damper mounting plate-RH rear .....	1	
	7	MJA 1375AA	Damper mounting plate-LH rear .....	1	
	8	JZB 100085	Adjustment bolt-front suspension .....	2	
	8	JFX 11205E	Flange locking nut.....	2	
	10	JZN 100030	Flange locking nut.....	4	(1)
	10	JFX 11205E	Flange locking nut.....	4	(2)

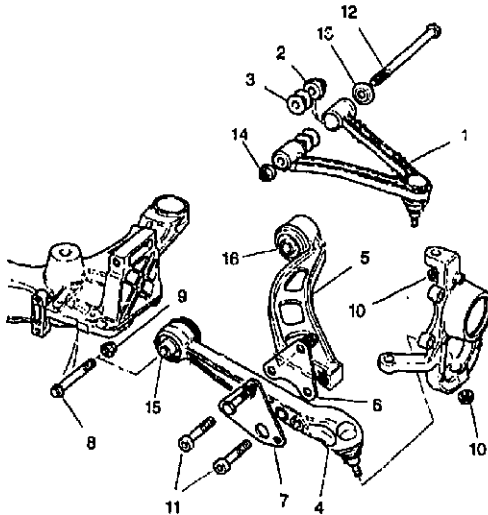
TM6128A

CHANGE POINTS:

- (1) To (V) 031302
- (2) From (V) 031303
- (3) To (V) 020347
- (4) From (V) 020348 To (V) 031302

WISHBONE-FRONT-UPPER AND LOWER

Illus	Part Number	Description	Quantity	Change Point	Remarks
11	JZS 100087	Torx head screw.....	4	(1)	
11	JZS 100164	Torx head screw.....	4	(2)	
12	MJA 1455AD	Fulcrum shaft-front suspension-wishbone.....	2		
13	CAC 3533	Washer.....	8		
14	JFX 11605E	Hexagonal flange nut-front suspension-wishbone.....	2		

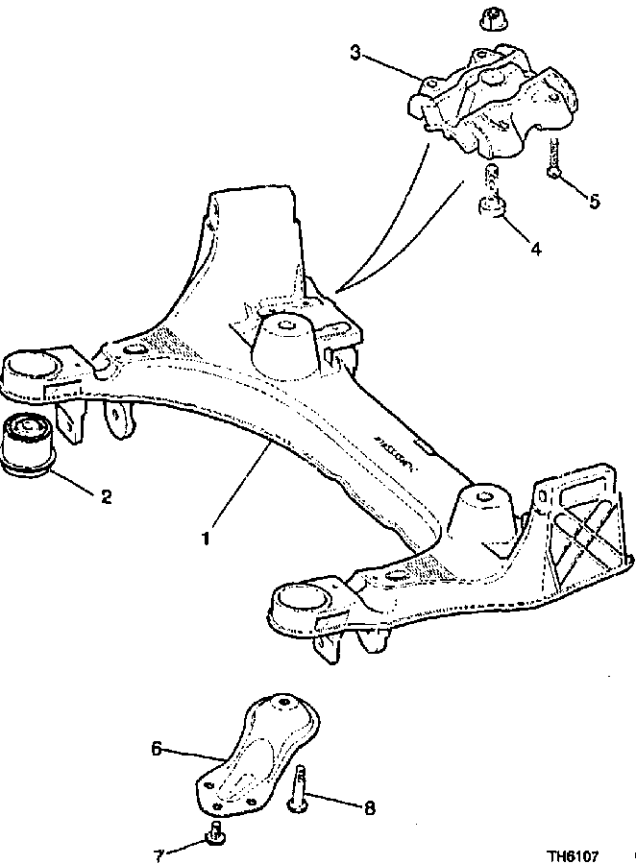


T116126A

CHANGE POINTS:  
(1) To (V) 024686  
(2) From (V) 024687

CROSSBEAM ASSEMBLY-FRONT-4.0 LITRE-V8

Illus	Part Number	Description	Quantity	Change Point	Remarks
1	MJA 2232AF	Crossbeam-front suspension.....	1		
2	MJA 2370AH	Sub-frame bush-front suspension.....	2		
3	MJA 2380AG	Vee mounting-front crossbeam.....	2		
4	JZS 100150	Pan head screw.....	2	(1)	
	JZS 100171	Torx screw-M10-pan head.....	2	(2)	
5	JXB 10840EP	Torx flange head screw.....	8		
6	MJA 2547AA	Bracket mounting-crossbeam.....	2		
7	JZS 100074	Torx pan head machine screw-M12 x 20mm.....	4		
8	JZB 100073	Torx bolt-M12 x 85mm.....	2	(3)	
8	JZB 100095	Torx bolt-M10 x 20mm.....	2	(4)	



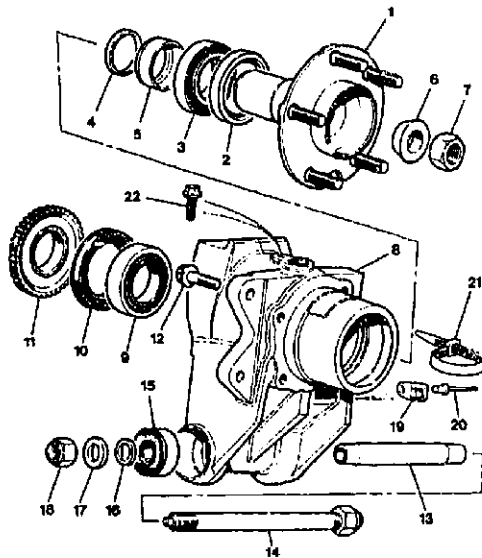
TH6107

CHANGE POINTS:

- (1) To (V) 027515
- (2) From (V) 027518
- (3) To (V) 005703
- (4) From (V) 005704

HUB CARRIER AND HUB ASSEMBLY-REAR

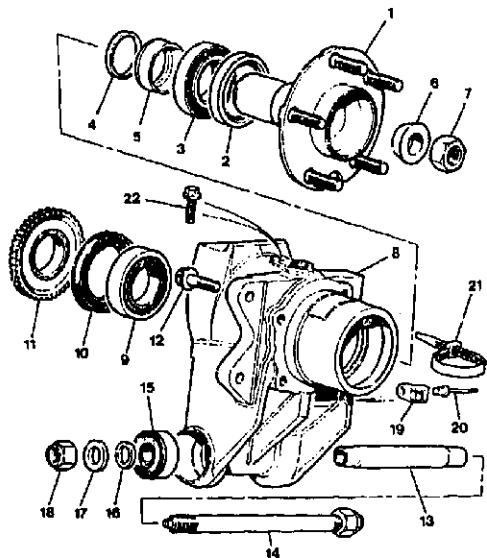
Illus	Part Number	Description	Quantity	Change Point	Remarks
1	CCC 2913 CAC 3878	HUB-ASSEMBLY-REAR .....	NLA		Use MNA3337AA.
1	MNA 3337AA JZB 1000x4	+ Wheel stud .....	5		
		HUB-ASSEMBLY-REAR .....	2		
		+ Wheel stud .....	5		
2	CCC 4486	Outer seal .....	2		
3	CAC 6333	Hub bearing-rear-outer .....	2		Part of kit - JLM 1708
4	CBC 9505 1	Adjustable spacer-2.22mm .....	A/R		
4	CBC 9505 2	Adjustable spacer-2.27mm .....	A/R		
4	CBC 9505 3	Adjustable spacer-2.32mm .....	A/R		
4	CBC 9505 4	Adjustable spacer-2.37mm .....	A/R		
4	CBC 9505 6	Adjustable spacer-2.47mm .....	A/R		
4	CBC 9505 7	Adjustable spacer-2.52mm .....	A/R		
4	CBC 9505 8	Adjustable spacer-2.57mm .....	A/R		
4	CBC 9505 9	Adjustable spacer-2.62mm .....	A/R		
4	CBC 9505 10	Adjustable spacer-2.67mm .....	A/R		
4	CBC 9505 11	Adjustable spacer-2.72mm .....	A/R		
4	CBC 9505 12	Adjustable spacer-2.77mm .....	A/R		
4	CBC 9505 13	Adjustable spacer-2.82mm .....	A/R		
4	CBC 9505 14	Adjustable spacer-2.87mm .....	A/R		
4	CBC 9505 15	Adjustable spacer-2.92mm .....	A/R		
4	CBC 9505 16	Adjustable spacer-2.97mm .....	A/R		
4	CBC 9505 17	Adjustable spacer-3.02mm .....	A/R		
4	CBC 9505 18	Adjustable spacer-3.07mm .....	A/R		
4	CBC 9505 19	Adjustable spacer-3.12mm .....	A/R		
4	CBC 9505 20	Adjustable spacer-3.17mm .....	A/R		
4	CBC 9505 21	Adjustable spacer-3.22mm .....	A/R		
4	CBC 9505 22	Adjustable spacer-3.27mm .....	A/R		
4	CBC 9505 23	Adjustable spacer-3.32mm .....	A/R		
4	CBC 9505 24	Adjustable spacer-3.37mm .....	A/R		
4	CBC 9505 25	Adjustable spacer-3.42mm .....	A/R		
4	CBC 9505 26	Adjustable spacer-3.47mm .....	A/R		



TH-9130

HUB CARRIER AND HUB ASSEMBLY-REAR

Illus	Part Number	Description	Quantity	Change Point	Remarks
	5 CBC 8207	Bearing spacer .....	2		
	6 CBC 0652	Locating collar.....	A/R		
	7 JZN 100035	Hub nut.....	A/R		
	8 MJA 3290AA	Hub carrier-RH-rear axle .....	1		
	8 MJA 3291AA	Hub carrier-LH-rear axle .....	1		
	9 CAC 6332	Hub bearing-inner.....	2		(1)..... Part of kit - JLM 1708
	9 MNC 3280AA	Hub bearing-inner.....	2		(2).....
	10 CBC 1706	Inner seal-inner.....	2		
	11 CBC 4705	Sensor rotor - rear .....	2		
	12 CBC 7398	Bolt .....	4		
	13 CAC 5846	Pivot pin sleeve-outer .....	2		
	14 JZB 100047	Outer pivot pin .....	2		
	15 CAC 4610	Taper roller bearing.....	2		
	16 MHC 3397AA 1	Adjustable spacer-3.905mm .....	A/R		
	16 MHC 3397AA 2	Adjustable spacer-3.955mm .....	A/R		
	16 MHC 3397AA 3	Adjustable spacer-4.005mm .....	A/R		
	16 MHC 3397AA 4	Adjustable spacer-4.055mm .....	A/R		
	16 MHC 3397AA 5	Adjustable spacer-4.105mm .....	A/R		
	16 MHC 3397AA 6	Adjustable spacer-4.155mm .....	A/R		
	16 MHC 3397AA 7	Adjustable spacer-4.205mm .....	A/R		
	16 MHC 3397AA 8	Adjustable spacer-4.255mm .....	A/R		
	16 MHC 3397AA 9	Adjustable spacer-4.305mm .....	A/R		
	16 MHC 3397AA 10	Adjustable spacer-4.355mm .....	A/R		
	16 MHC 3397AA 11	Adjustable spacer-4.405mm .....	A/R		
	16 MHC 3397AA 12	Adjustable spacer-4.455mm .....	A/R		
	16 MHC 3397AA 13	Adjustable spacer-5.505mm .....	A/R		
	17 WA 114001	Washer-rear hub carrier.....	1		
	18 JNV 114041	Locking nut .....	2		
	19 AGU 1548	Mounting cradle .....	4		
	20 RU 612503 J	Rivet.....	2		
	21 AAU 5884 J	Cable tie.....	2		
	22 FS 106201 J	Flange head screw .....	2		
	JLM 1708	HUB BEARING KIT .....	2		
	CAC 6663	• Seal .....	1		

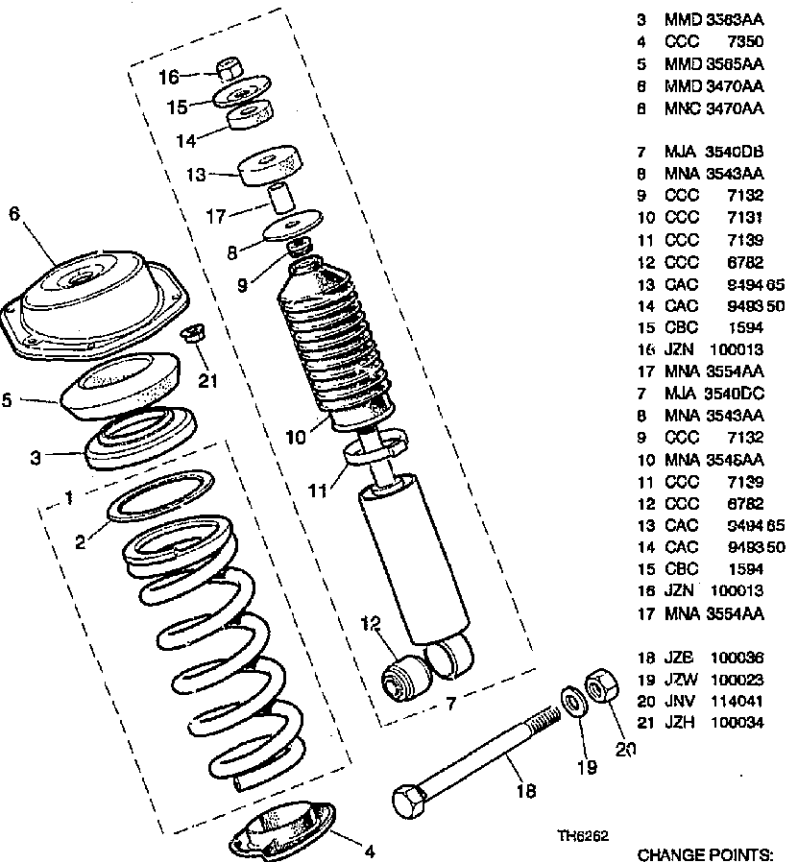


TH-6130

CHANGE POINTS:

- (1) To (V) 031302
- (2) From (V) 031303

MASTER INDEX	GROUP INDEX	
ENGINE ..... 1 D		
ENGINE MANAGEMENT/EMISSION SYSTEMS ..... 1 F		
AIR AND FUEL DELIVERY SYSTEMS ..... 1 G		
ENGINE COOLING SYSTEM ..... 1 H		
EXHAUST SYSTEM AND COMPONENTS ..... 1 I		
TRANSMISSION AND DRIVELINE ..... 1 J		
STEERING AND SUSPENSION ..... 1 K		
BRAKING SYSTEM ..... 1 M		
AIR CONDITIONING/HEATING/VENTILATION ..... 1 N		
WIPER AND WASHER SYSTEMS ..... 1 O		
ELECTRICAL DISTRIBUTION SYSTEM ..... 2 C		
INFORMATION SYSTEMS AND CONTROLS ..... 2 E		
BATTERY/STARTER MOTOR/ALTERNATOR ..... 2 F		
IN CAR ENTERTAINMENT ..... 2 G		
LIGHTING - EXTERIOR/INTERIOR ..... 2 H		
LOCKING/SECURITY SYSTEMS/HORNS ..... 2 I		
SEATING ..... 2 J		
OCCUPANT RESTRAINTS ..... 2 L		
INTERIOR TRIM AND LININGS ..... 2 M		
EXTERIOR FITTINGS AND SUNROOF ..... 3 C		
BODY CLOSURES AND SEALING ..... 3 D		
BODY METAL PANELS AND SEALING ..... 3 G		
ACCESSORIES/CONSUMABLES/INDEX ..... 3 H		
	ANTI ROLL BAR ..... 1. K 09	ANTI ROLL BAR-FRONT ..... 1. K 09
	CROSSBEAM AND MOUNTINGS-FRONT ..... 1. K 18	ANTI ROLL BAR-REAR ..... 1. K 10
	HUB AND CARRIER-REAR ..... 1. K 17	CROSSBEAM ASSEMBLY-FRONT-4.0 ..... 1. K 18
	POWER STEERING PUMP ..... 1. K 04	FRAME CARRIER-REAR ..... 1. L 03
	POWER STEERING RACK ASSEMBLY ..... 1. K 02	HUB AND VERTICAL LINK ..... 1. K 13
	ROAD SPRING AND DAMPER-REAR ..... 1. L 02	HUB CARRIER AND HUB ASSEMBLY-REAR ..... 1. K 17
	STEERING COLUMN ..... 1. K 05	ROAD SPRING AND DAMPER-FRONT ..... 1. K 11
	STEERING RESERVOIR, COOLER AND ..... 1. K 03	ROAD SPRING AND DAMPER-REAR ..... 1. L 02
	STEERING WHEEL ..... 1. K 07	ROAD WHEEL BADGE ..... 1. L 07
	SUBFRAME AND MOUNTINGS-REAR ..... 1. L 03	ROAD WHEEL-5 SPOKE-CHROME ..... 1. L 08
	SUSPENSION WISHBONES AND ARMS ..... 1. L 05	ROAD WHEEL-5 SPOKE-PAINTED ..... 1. L 09
	WHEELS ..... 1. L 07	SPARE WHEEL MOUNTING ..... 1. L 10
	WISHBONE AND HUB ASSEMBLY-FRONT ..... 1. K 13	STEERING COLUMN-LOWER ..... 1. K 06
		STEERING COLUMN-UPPER ..... 1. K 05
		STEERING CONTROL MODULE ..... 1. L 11
		STEERING PUMP-4.0 LITRE-V8 ..... 1. K 04
		STEERING RACK AND PINION ..... 1. K 02
		STEERING RESERVOIR AND HOSES ..... 1. K 03
		STEERING WHEEL ..... 1. K 07
		WISHBONE-FRONT-UPPER AND LOWER ..... 1. K 14
		WISHBONES AND MOUNTING-REAR ..... 1. L 05
		Wheel hub-front ..... 1. K 12



Illus	Part Number	Description	Quantity	Change Point	Remarks
1	JLM 12342	ROAD SPRING KIT .....	1		
2	MNA 3582AA	• Packer-3.4mm/2.9mm .....	2		
2	MNA 3582BA	• Packer-6.55mm/6.05mm .....	2		
3	MMD 3583AA	Spring pan-upper .....	2		
4	CCC 7350	Pigtail spring seat .....	2		
5	MMD 3585AA	Spring isolator-upper .....	2		
6	MMD 3470AA	Spring/strut mounting -assembly .....	2	(1)	
6	MNC 3470AA	Spring/strut mounting -assembly .....	1	(2)	
7	MJA 3540DB	SUSPENSION DAMPER-REAR .....	2	(3)	
8	MNA 3543AA	• Washer .....	1		
9	CCC 7132	• Gaiter locating collar .....	1		
10	CCC 7131	• Damper gaiter .....	1		
11	CCC 7139	• Gaiter clip .....	1		
12	CCC 8782	• Spherical joint .....	1		
13	CAC 9494 65	• Isolator-lower .....	1		
14	CAC 9493 50	• Isolator-upper .....	1		
15	CBC 1594	• Washer-upper .....	1		
16	JZN 100013	• Damper locknut -top .....	1		
17	MNA 3554AA	• Spacer tube .....	1		
7	MJA 3540DC	SUSPENSION DAMPER-REAR .....	2	(4)	
8	MNA 3543AA	• Washer .....	1		
9	CCC 7132	• Gaiter locating collar .....	1		
10	MNA 3546AA	• Damper gaiter .....	1		
11	CCC 7139	• Gaiter clip .....	1		
12	CCC 8782	• Spherical joint .....	1		
13	CAC 9494 65	• Isolator-lower .....	1		
14	CAC 9493 50	• Isolator-upper .....	1		
15	CBC 1594	• Washer-upper .....	1		
16	JZN 100013	• Damper locknut -top .....	1		
17	MNA 3554AA	• Spacer tube .....	1		
18	JZE 100036	Damper bolt .....	2		
19	JZW 100023	Washer .....	2		
20	JNV 114041	Locking nut .....	2		
21	JZH 100034	Nut and washer .....	8		

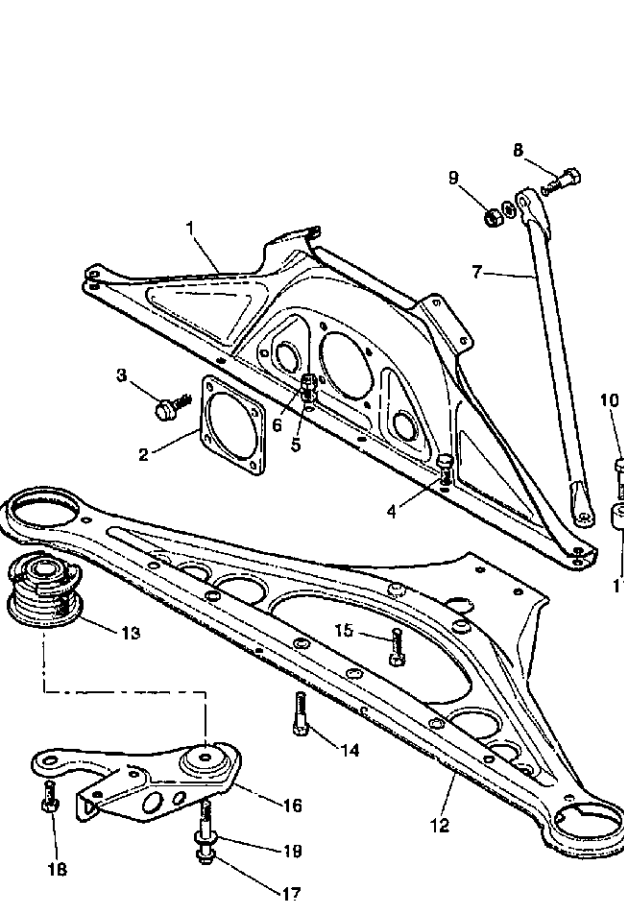
TH6262

CHANGE POINTS:

- (1) To (V) 018107
- (2) From (V) 018108
- (3) To (V) 009846
- (4) From (V) 009847



FRAME CARRIER-REAR



Illus	Part Number	Description	Quantity	Change Point	Remarks
1	MJA 2622AA	Mounting bracket-rear suspension .....	1		
2	CAC 8228	Support plate .....	1		
3	FS 110251 P	Flange screw .....	4		
4	SH 212201 MJ	Setscrew .....	2	(1)	
5	WA 112081 J	Washer .....	4		
6	NY 112041 J	Locknut .....	4		
7	CBC 2964	Link-assembly-RH upper .....	1		
7	CBC 2965	Link-assembly-LH upper .....	1		
8	JBH 112167	Beam mounting/strut bolt .....	2		
9	NY 112041 J	Locknut .....	2		
10	BH 212091 MJ	Bolt .....	2		
11	CAC 9330	Spacing boss-outer .....	2		
12	MJA 2590BE	SUSPENSION SUBFRAME-REAR SUSPENSION .....	NLA	(1)	Use MJA2590BF qty 1 with BH112111 qty 4 with NY112041J qty 8 with BH212091M qty 2.
13	MJA 2595AB	* Sub-frame bush .....	NLA		Use MJA2595AC.
12	MJA 2590BF	SUSPENSION SUBFRAME-REAR SUSPENSION .....	NLA	(2)	Use MJA2590BG.
13	MJA 2595AB	* Sub-frame bush .....	NLA		Use MJA2595AC.
12	MJA 2590BG	SUSPENSION SUBFRAME-REAR SUSPENSION .....	1	(3)	
13	MJA 2595AC	* Sub-frame bush .....	2		
14	SH 212401 MJ	Bolt .....	2	(1)	
14	BH 112111	Bolt .....	4	(4)	
15	BH 112091 J	Bolt .....	2	(1)	
15	BH 212091 MJ	Bolt .....	2	(4)	
16	MJA 3700BA	Mounting bracket-RH rear-lower .....	1		Coupe
16	MJA 3701BA	Mounting bracket-LH rear-lower .....	1		
16	MJA 3700AA	Mounting bracket-RH rear-lower .....	1		Convertible 2+2
16	MJA 3701AA	Mounting bracket-LH rear-lower .....	1		

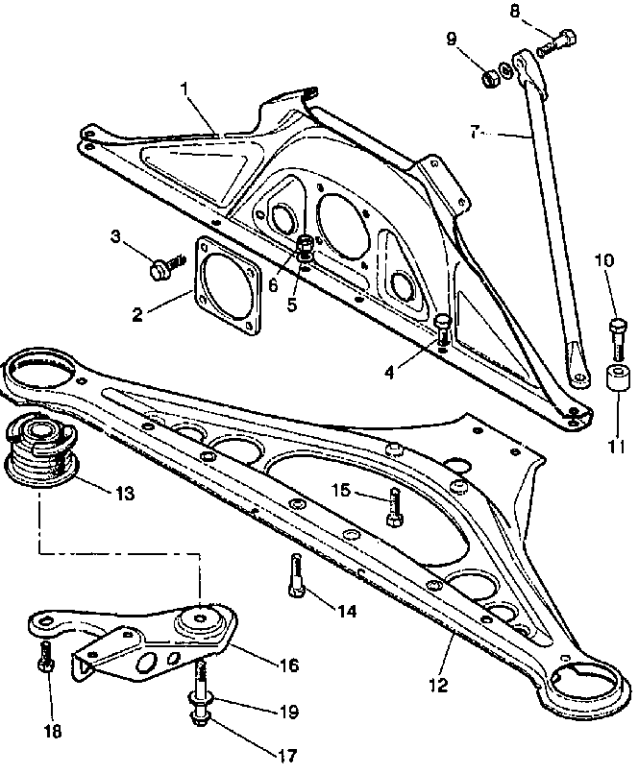
TH6214

CHANGE POINTS:

- (1) To (V) 005494
- (2) From (V) 005495 To (V) 022240
- (3) From (V) 022241
- (4) From (V) 005495

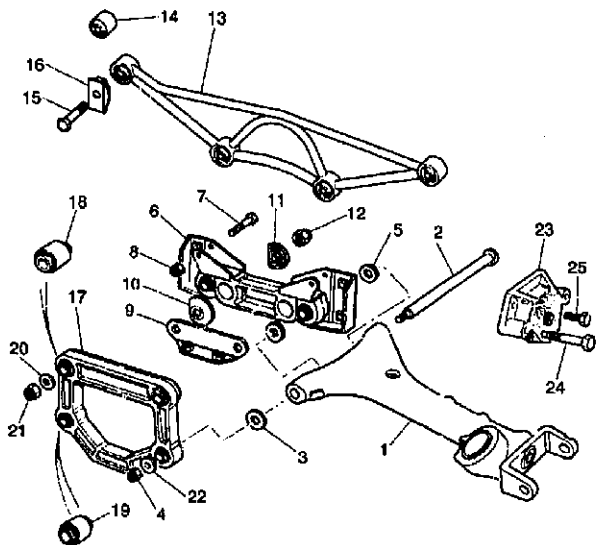
FRAME CARRIER-REAR

Ilus	Part Numbe	Description	Quantity	Change Point	Remarks
17	JBH 11218BP	Hexagonal head bolt-rear suspension .....	2		
18	SH 112301 M	Set screw .....	8		
19	WJ 112001	Plain washer .....	2		
CAC	48271	Spigot bush shim .....	2		



WISHBONES AND MOUNTING-REAR

Illus	Part Number	Description	Quantity	Change Point	Remarks
1	MMD 2960AA	Wishbone-RH.....	NLA	}	(1)..... Use MNB2960AA.
1	MMD 2961AA	Wishbone-LH.....	NLA		..... Use MNB2961AA.
1	MNB 2960AA	Wishbone-RH.....	1		(2)
1	MNB 2961AA	Wishbone-LH.....	1		
2	MMB 2680AA	Wishbone fulcrum bolt.....	2		
3	CAC 8979	Plain washer.....	2		
4	JFX 214051	Fulcrum bolt nut.....	2		
5	MMB 2882AA	Fulcrum bolt washer.....	4		
6	MNA 2855BC	WISHBONE TIE -ASSEMBLY.....	1	(3)	
6	MNA 2855BD	WISHBONE TIE -ASSEMBLY.....	1	(4)	
6	MNC 2855BA	WISHBONE TIE -ASSEMBLY.....	1	(5)	
19	CAC 4713	• Pendulum bush -bottom.....	2		
7	BH 112131J	Bolt.....	2		
8	NY 112041J	Locknut.....	2		
9	MJA 2617AA	Extension bracket.....	1	(6)	
9	MNC 2617BA	Extension bracket.....	1	(5)	
10	MNA 2885AA	Spacer-inner-wishbone.....	2		
11	MNA 2885BA	Spacer-outer-wishbone.....	2		
12	JFX 11205E	Flange locking nut.....	2		
13	MJA 3713AA	BUSHED DIFFERENTIAL STRUT.....	1	(7)	
14	MJA 3715AA	• Mounting bush-rear mounting.....	4		
13	MJA 3713AD	BUSHED DIFFERENTIAL STRUT.....	1	(8)	
14	MJA 3715AB2	• Mounting bush-differential.....	4		
15	FB 112131	Flange head bolt-rear suspension.....	2		
16	JZM 100015	Spring nut-rear suspension.....	2		



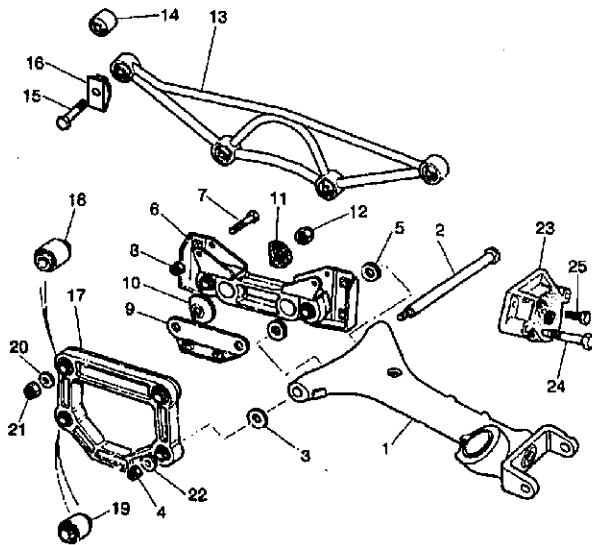
TW104

CHANGE POINTS:

- (1) To (V) 020347
- (2) From (V) 020348
- (3) To (V) 018107
- (4) From (V) 016108 To (V) 026541
- (5) From (V) 028542
- (6) To (V) 028541
- (7) To (V) 019230
- (8) From (V) 019231

WISHBONES AND MOUNTING-REAR

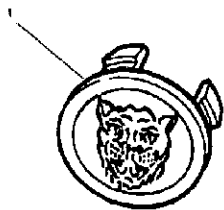
Illus	Part Number	Description	Quantity	Change Point	Remarks
17	COC 2890	PENDULUM-ASSEMBLY .....	NLA		
17	MNB 2840AA	PENDULUM-ASSEMBLY .....	1	(1)	Use MNB2840AA.
18	CAC 7780 1	* Pendulum bush -top .....	2		
19	CAC 4713	* Pendulum bush -bottom .....	2	(2)	
20	WA 118101	Flat washer .....	4		
21	NY 118041 J	Self locking nut .....	2		
22	CBC 6394	Stepped washer .....	2		
23	MJA 3750AB	Suspension bumpstop-rear .....	2		
24	JXR 10830FP	Paint clearing setscrew .....	4		
25	JXR 10860FP	Paint clearing bolt .....	4		



D86104

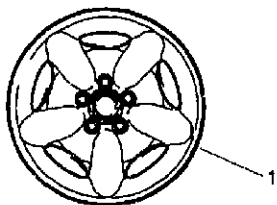
CHANGE POINTS:  
(1) To (V) 024154  
(2) From (V) 024155

Illus	Part Number	Description	Quantity	Change Point	Remarks
	1 MNA 6249AB	Road wheel badge-Jaguar-all green.....	4		



ROAD WHEEL-6 SPOKE-CHROME

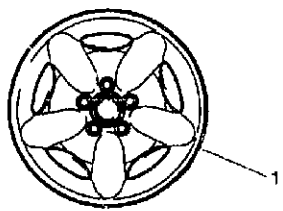
Illus	Part Number	Description	Quantity	Change Point	Remarks
1	MJA 8116BB	Alloy road wheel-17" cast-chrome .....	4		
	MMB 8134AA	Balance weight-self adhesive fixing.....	A/R		
	CCC 70421	Snap-in valve .....	4		
	CCC 7028	Domed wheel nut-stainless steel.....	20		



TH6180

ROAD WHEEL-5 SPOKE-PAINTED

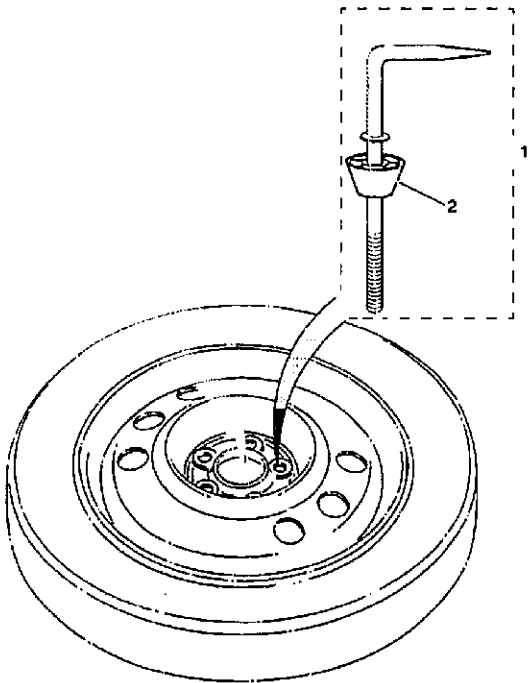
Illus	Part Number	Description	Quantity	Change Point	Remarks
1	MJA 6116AB	Alloy road wheel-17" cast-silver wheel .....	4		Standard
	MMB 6134AA	Balance weight-self adhesive fixing.....	A/FI		
	CCC 7042 1	Snap-in valve .....	4		
	CCC 7028	Domed wheel nut-stainless steel.....	20		



TH6180

SPARE WHEEL MOUNTING

Item	Part Number	Description	Quantity	Change Point	Remarks
1	MJA 6190BC	SPARE WHEEL CLAMP SCREW-STANDARD WHEEL .....	1		
2	MJA 6192AA	• Washer .....	1		

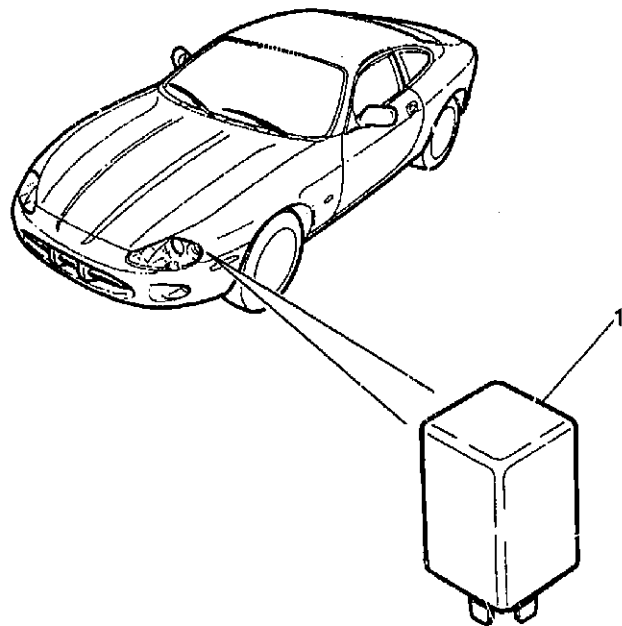


SV6416



STEERING CONTROL MODULE

Ilus	Part Number	Description	Quantity	Change Point	Remarks
	1 LJA 2100BB	Steering control module-programmed .....	1	(1)	
	1 LJB 2100AA	Steering control module-programmed .....	1	(2)	
	1 LJB 2100BA	Steering control module-programmed .....	1	(3)	4.0 Litre supercharged



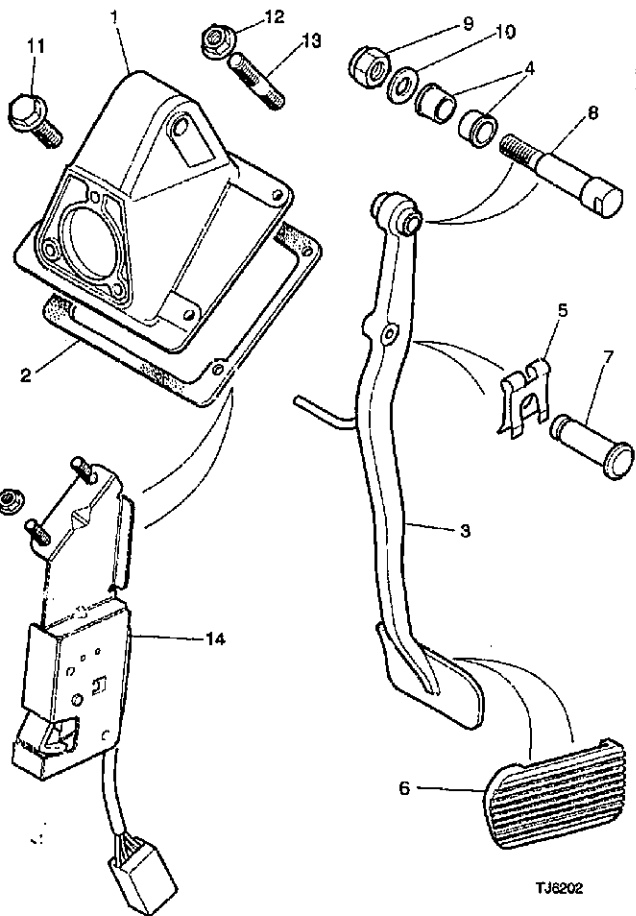
TM6273

CHANGE POINTS:

- (1) To (V) 018107
- (2) From (V) 018108 To (V) 031302
- (3) From (V) 031303

MASTER INDEX	GROUP INDEX	
ENGINE..... 1 D		
ENGINE MANAGEMENT/EMISSION SYSTEMS..... 1 F	ANTI LOCK BRAKING SYSTEM..... 1. M 11	ANTI LOCK BRAKING SYSTEM MODULATOR.. 1. M 11
AIR AND FUEL DELIVERY SYSTEMS ..... 1 G	BRAKE DISC AND CALIPERS ..... 1. M 09	BRAKE DISC AND CALIPER-FRONT-4.0..... 1. M 09
ENGINE COOLING SYSTEM..... 1 H	BRAKE/CLUTCH PEDAL COMPONENTS ..... 1. M 02	BRAKE DISC AND CALIPER-REAR-4.0 LITRE- 1. M 10
EXHAUST SYSTEM AND COMPONENTS ..... 1 I	HANDBRAKE MECHANISM ..... 1. M 07	BRAKE PEDAL AND HOUSING-4.0 LITRE-V8... 1. M 02
TRANSMISSION AND DRIVELINE ..... 1 J	HYDRAULIC PIPES ..... 1. M 03	BRAKE PIPES-FRONT-LHD..... 1. M 03
STEERING AND SUSPENSION..... 1 K	MASTER CYLINDER/POWER SERVO..... 1. M 06	BRAKE PIPES-REAR-NON TRACTION..... 1. M 05
BRAKING SYSTEM ..... 1 M		BRAKE PIPES-REAR-TRACTION CONTROL..... 1. M 04
AIR CONDITIONING/HEATING/VENTILATION..... 1 N		HANDBRAKE LEVER AND CABLE ..... 1. M 07
WIPER AND WASHER SYSTEMS..... 1 O		HANDBRAKE MECHANISM..... 1. M 08
ELECTRICAL DISTRIBUTION SYSTEM..... 2 C		MASTER CYLINDER AND POWER SERVO..... 1. M 06
INFORMATION SYSTEMS AND CONTROLS..... 2 E		
BATTERY/STARTER MOTOR/ALTERNATOR..... 2 F		
IN CAR ENTERTAINMENT ..... 2 G		
LIGHTING - EXTERIOR/INTERIOR ..... 2 H		
LOCKING/SECURITY SYSTEMS/HORNS..... 2 I		
SEATING..... 2 J		
OCCUPANT RESTRAINTS..... 2 L		
INTERIOR TRIM AND LININGS ..... 2 M		
EXTERIOR FITTINGS AND SUNROOF..... 3 C		
BODY CLOSURES AND SEALING ..... 3 D		
BODY METAL PANELS AND SEALING..... 3 G		
ACCESSORIES/CONSUMABLES/INDEX..... 3 H		

BRAKE PEDAL AND HOUSING-4.0 LITRE-V8



Illus Part Number

- 1 MJA 5372AA
- 2 MJA 5412AA
- 3 MJA 5374BC
- 4 CAC 1742
- 5 C 27328 32
- 6 MNA 5378AA
- 7 CCC 2847
- 8 CBC 4881
- 9 NY 110041
- 10 FW 105 T
- 11 FS 108301 J
- 12 FX 108041 J
- 13 TE 108041 J

- 14 LHF 6420DA
- 14 LHF 6420CA
- 14 LJB 6420EA
- 14 LJB 6420AA

Description

- Pedal housing ..... 1
- Brake pedal housing gasket..... 1
- Brake pedal..... 1
- Pivot bush..... 2
- Safety clip ..... 2
- Brake pedal pad-rubber..... 1
- Joint pin ..... 1
- Brake pedal pivot pin..... 1
- Nut..... 4
- Plain washer-0.25" Wd ..... 4
- Setscrew ..... 2
- Flanged nut-MB..... 2
- Stud ..... 2
- Brake pedal switch..... 1
- Brake pedal switch..... 1
- Brake pedal switch..... 1
- Brake pedal switch..... 1

Quantity Change Point Remarks

- (1)..... Speed control
- ..... Except speed control
- (2)..... Speed control
- ..... Except speed control

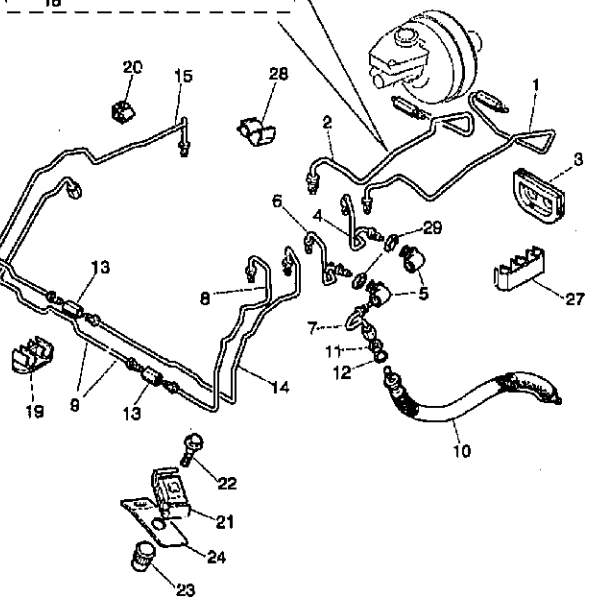
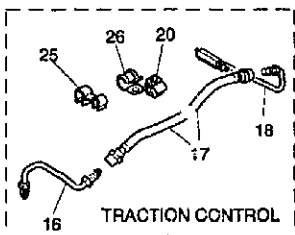
TJ6202

CHANGE POINTS:

- (1) To (V) 018107
- (2) From (V) 018108

BRAKE PIPES-FRONT-LHD

Illus	Part Number	Description	Quantity	Change Point	Remarks
	1 MJA 5754BD	Brake pipe.....	1	(1).....	For all applications
	1 MJB 5754BA	Brake pipe.....	1	(2).....	
	2 MJA 5756CE	Brake pipe.....	1	(1).....	Except traction control
	2 MJB 5756DA	Brake pipe.....	1	(2).....	
	3 MJA 5821AA	Rubber grommet.....	1	.....	For all applications
	4 MJA 5778BA	Brake pipe.....	1	.....	
	5 MND 5734AC	Elbow.....	2	.....	
	6 MJA 5778AA	Brake pipe.....	1	.....	
	7 MJA 5786AA	Brake pipe.....	1	.....	
	8 MJA 5704AD	Brake pipe.....	1	.....	
	9 MJA 5704BE	Brake pipe.....	1	.....	
	10 MJA 5870AD	Brake hose.....	2	.....	
	11 O 41712	Locknut.....	2	.....	For all applications
	12 WF 110001J	Washer-metric.....	4	.....	
	13 MJA 5813BA	Connector.....	2	.....	Except traction control
	14 MJA 5724AB	Brake pipe.....	1	.....	Traction control
	15 MJA 5772AC	Brake pipe.....	1	.....	
	16 MJA 5824AA	Brake hose-flexible.....	1	.....	
	17 MJA 5780AG	Brake pipe.....	1	(1).....	
	17 MJB 5760AA	Brake pipe.....	1	(2).....	
	18 MJA 5758CE	Brake pipe.....	1	(1).....	
	18 MJB 5758CA	Brake pipe.....	1	(2).....	
	19 CAC 9252	Double clip.....	5	.....	
	20 KDF 105004	Clip.....	8	.....	
	21 KDG 105054	Cable clip.....	8	.....	
	22 JFB 10505E	Flange bolt.....	8	.....	
	23 JZR 100022	Threaded insert.....	8	.....	
	24 MJA 5808AB	Support bracket.....	1	.....	
	25 KDP 204100	Swivel pipe clip-double.....	1	.....	
	26 JZP 100008	Pipe clip.....	1	.....	Traction control
	27 KDR 803003	Treble clip.....	2	.....	
	28 KDP 105060	Double pipe clip.....	5	.....	
	29 JZN 100050	Brass nut -thin.....	2	.....	



TJ6190

CHANGE POINTS:

(1) To (V) 021325

(2) From (V) 021326

BRAKE PIPES-REAR-TRACTION CONTROL

Illus Part Number

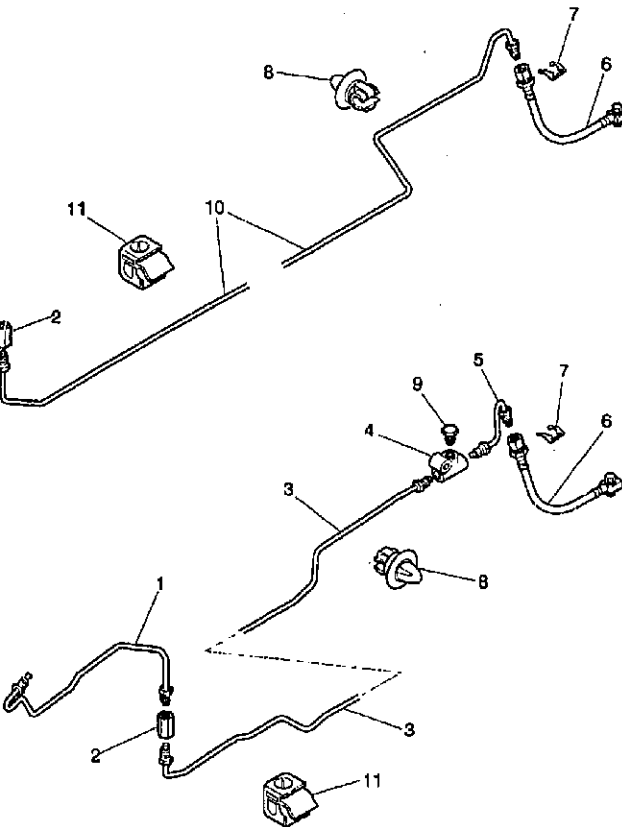
- 1 MJA 5748AB
- 2 MJA 5813B
- 3 MJA 5712AC
- 3 MJB 5722AA
- 4 FAM 8908J
- 5 MJA 5714-C
- 6 MJA 56708B
- 7 AGU 2722
- 8 AAU 8367
- 9 CAC 8715
- 10 MJA 5748AD
- 11 KDF 105004

Description

- Brake pipe..... 1
- Connector..... 2
- Brake pipe..... 1
- Brake pipe..... 1
- Connector-3 way..... 1
- Brake pipe..... 1
- Flexible hose..... 2
- Brake hose clip..... 2
- Single pipe clip - flush..... 2
- Plug..... 1
- Brake pipe..... 1
- Clip..... 10

Quantity Change Point Remarks

(1)  
(2)  
(1)  
(1)  
(1)



TJ6306

CHANGE POINTS:

- (1) To (V) 022314
- (2) From (V) 022315

BRAKE PIPES-REAR-NON TRACTION CONTROL

Illus Part Number

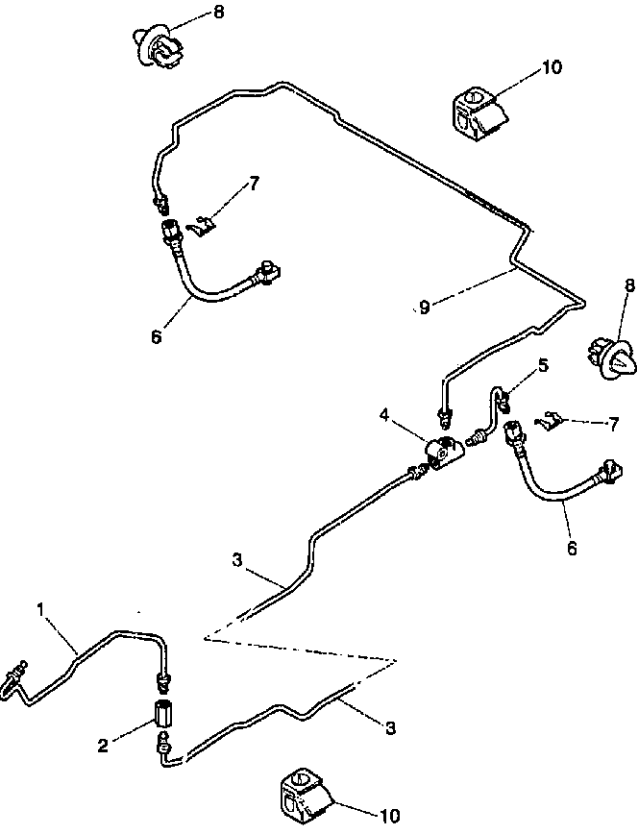
- 1 MJA 5748AB
- 2 MJA 5813BA
- 3 MJA 5712AC
- 4 FAM 8908J
- 5 MJA 5714AC
- 6 MJA 5870BB
- 7 AGU 2722
- 8 AAU 8367
- 9 MJA 5716AD
- 9 MJC 5716AA
- 10 KDF 105004

Description

- Brake pipe..... 1
- Connector..... 2
- Brake pipe..... 1
- Connector-3 way..... 1
- Brake pipe..... 1
- Flexible hose..... 2
- Brake hose clip..... 2
- Single pipe clip - flush..... 2
- Brake pipe..... 1 (1)
- Brake pipe..... 1 (2)
- Clip..... 10

Quantity Change Point

Remarks



TJ6307

CHANGE POINTS:

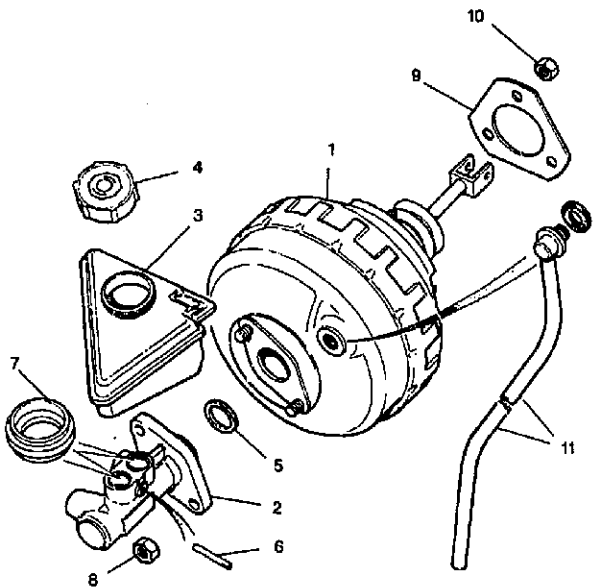
- (1) To (V) 031302
- (2) From (V) 031303

Illus Part Number

Description

Quantity Change  
Point Remarks

1	JLM 12188	Brake booster .....	1		
2	JLM 20266	Brake master cylinder .....	1		
3	JLM 12082	Reservoir .....	1		
4	JLM 12083	Reservoir cap .....	1		
5	JLM 12081	Seal-booster to master cylinder .....	1		
6	JLM 12084	Securing pin .....	1		
7	JLM 12184	Seal .....	2		
8	NY 108041 J	Self locking nut .....	2		
9	CCC 7114	Gasket .....	1		
10	FN 110041 J	Flange nut-M10 .....	3		
11	MJA 5910BC	Brake vacuum pipe .....	1		
	MJA 5910CB	Vacuum pipe .....	1		
	MJA 2744AA	Protective sleeve .....	1		

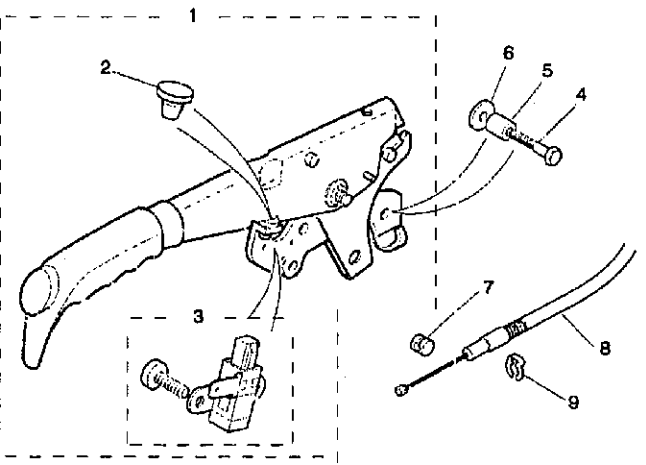


TJ0186A

..... For all applications

HANDBRAKE LEVER AND CABLE

Illus	Part Number	Description	Quantity	Change Point	Remarks
1	MJA 5140BB	HANDBRAKE-ASSEMBLY .....	1		
2	JLM 20259	• Rubber buffer .....	1		
3	JLM 20013	• Handbrake switch .....	1		
4	BH 108081	Bolt .....	1		
5	MHF 5142AA	Handlever spacer .....	2		
6	WJ 108001	Washer .....	1		
7	MHF 5152AA	Handbrake cable frunnion .....	1		
8	MJB 5150AA	Handbrake cable-front .....	1		
9	JZE 100033	Clip .....	1		



TJ6096



Illus Part Number

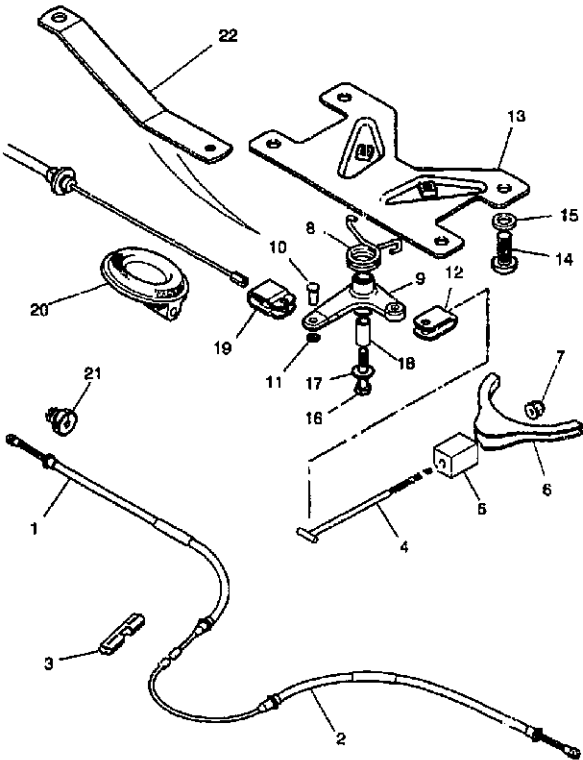
Description

Quantity

Change Point

Remarks

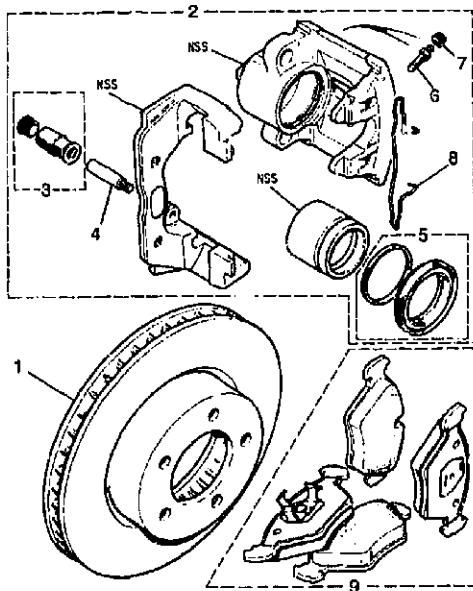
1	MNA 2742AA	Handbrake cable-RH rear.....	1		
2	MNA 2743AA	Handbrake cable-LH rear.....	1		
3	CAC 8603	In-line connector.....	1		
4	MJA 5169AB	Handbrake cable adjuster.....	1		
5	MJA 5143AA	Handbrake damper.....	1		
6	MJA 5175AA	Handbrake cable equaliser.....	1		
7	JFY 10804B	Flange locking nut-M8.....	1		
8	MJA 5149AD	Brake return spring-RH.....	1		
8	MJA 5149BA	Brake return spring-LH.....	1		
9	MJA 5163AC	Relay lever.....	1		
10	PC 108291	Clevis pin.....	2		
11	JZE 100009	Push on clip.....	2		
12	MNA 5156AA	Fork end.....	1		
13	MJA 5185AC	Mounting plate.....	1		..... Coupe
13	NJB 5821BB	Mounting plate.....	1		..... Convertible 2+2
14	JXA 10820BP	Torx pan head machine screw.....	4		
15	JZW 100008	Washer-25mm o/d x 4mm.....	4		
16	BH 108101	Bolt -handbrake lever.....	1		
17	WC 108051	Plain washer-0.375" diameter.....	NLA		..... Use WC108051J.
18	MJA 5171AB	Handlever spacer.....	1		
19	MJA 5156AA	Cable fork end.....	1		
20	KZY 100005	Handbrake lever grommet.....	1		
21	MJA 2796AA	Bush.....	2		
22	MJA 5193AA	Tie strap.....	1		



TJ6097A

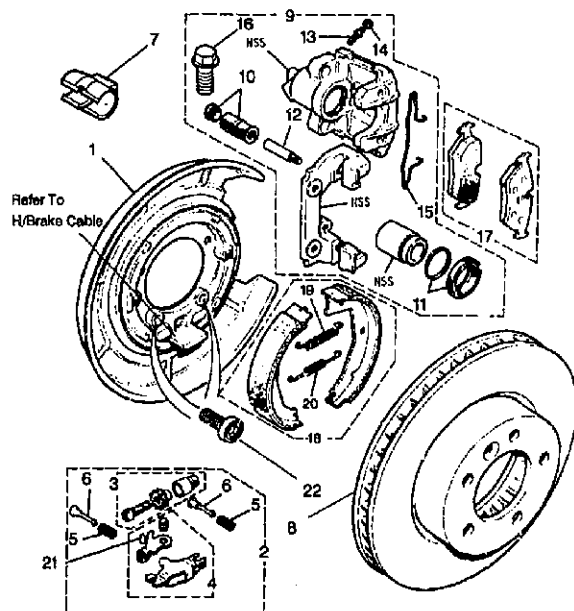
BRAKE DISC AND CALIPER-FRONT-4.0 LITRE-V8

Illus	Part Number	Description	Quantity	Change Point	Remarks
1	JLM 20150	Brake disc kit .....	1		
2	JLM 20076	BRAKE CALIPER-RH FRONT-LESS PADS .....	1		
2	JLM 20079	BRAKE CALIPER-LH FRONT-LESS PADS .....	1		
3	JLM 2184	• Bushing kit .....	1		
4	JLM 2213	• Guiding pin .....	2		
5	JLM 2191	• Brake caliper seal kit .....	1		
6	JLM 2192	• Bleed screw .....	1		
7	JLM 2183	• Dust cap .....	1		
8	JLM 2196	• Housing clip .....	1		
9	JLM 1829	Brake pad kit-axle set-Jurid .....	1		



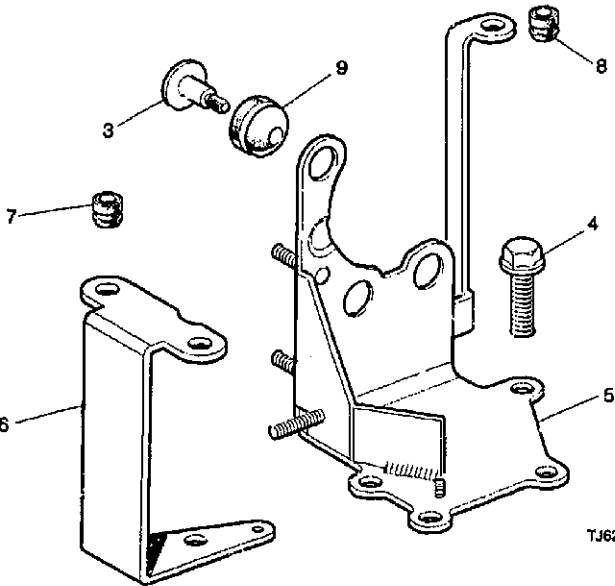
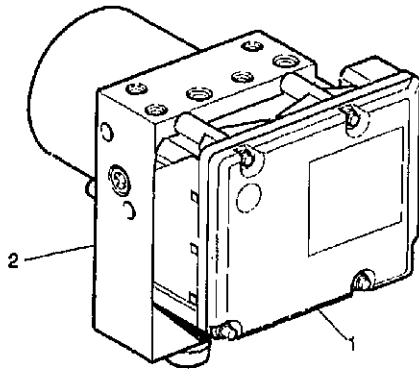
BRAKE DISC AND CALIPER-REAR-4.0 LITRE-V8

Illus	Part Number	Description	Quantity	Change Point	Remarks
1	JLM 12338	Splash shield backplate -RH.....	1		
1	JLM 12339	Splash shield backplate -LH.....	1		
2	JLM 2250	PARKING BRAKE REPAIR KIT.....	1		
3	JLM 2201	• Parkbrake adjuster-assembly.....	2		
4	JLM 2208	• Parking brake lever.....	2		
5	JLM 2202	• Compression spring.....	2		
6	JLM 2206	• Parking brake pin.....	2		
7	COC 5644	Nylon bush.....	2		
8	JLM 20342	BRAKE DISC KIT-PAINTED-BLACK.....	1		
16	JZB 100060	• Bolt and washer.....	4		
	JZD 100020	Blanking plug.....	1		
9	JLM 20232	BRAKE CALIPER-ASSEMBLY-RH-LESS PADS.....	1		
9	JLM 20233	BRAKE CALIPER-ASSEMBLY-LH-LESS PADS.....	1		
10	JLM 12124	• Bushing kit.....	2		
11	JLM 12123	• Sealing kit.....	2		
12	JLM 2249	• Guiding pin.....	2		
13	JLM 12120	• Bleed screw.....	2		
14	JLM 12121	• Dust cap.....	2		
15	JLM 12122	• Housing clip.....	2		
16	JZB 100060	• Bolt and washer.....	4		
17	JLM 20257	Brake pad kit-rear.....	1		
18	JLM 2209	BRAKE SHOE KIT-AXLE SET.....	1		
19	JLM 2204	• Tension spring.....	2		
20	JLM 2203	• Tension spring.....	2		
21	JLM 11004	Brake lever pin.....	1		
22	JZS 100063	Hexagon socket cap screw-M10.....	4		



ANTI LOCK BRAKING SYSTEM MODULATOR

Illus	Part Number	Description	Quantity	Change Point	Remarks
1	JLM 20130	Electronic control module-9 valve.....	1	(1).....	Traction control
2	JLM 20129	Hydraulic control unit-9 valve.....	1		
1	JLM 20129	Electronic control module-6 valve.....	1	].....	Except traction control
2	JLM 20127	Hydraulic control unit-6 valve.....	1		
1	JLM 20558	Electronic control module-9 valve.....	1	(2).....	Traction control
2	JLM 20554	Hydraulic control unit-9 valve.....	1		
1	JLM 20555	Electronic control module-6 valve.....	1	].....	Except traction control
2	JLM 20553	Hydraulic control unit-6 valve.....	1		
3	JZS 100111	Torx screw.....	3		
4	FS 108161	Setscrew.....	4		
5	MJA 5911AF	Brake modulator mounting bracket.....	1	(1)	
5	MJB 5911AA	Brake modulator mounting bracket.....	1	(2)	
6	MJA 5927BC	Cover retention bracket.....	1	(3)	
6	MJB 5927BA	Cover retention bracket.....	1	(4)	
7	NCA 3973AA	Grommet.....	2		
8	CBC 1448	Condenser mounting grommet.....	1		
9	MJA 5924AB	Brake modulator mounting rubber.....	3		



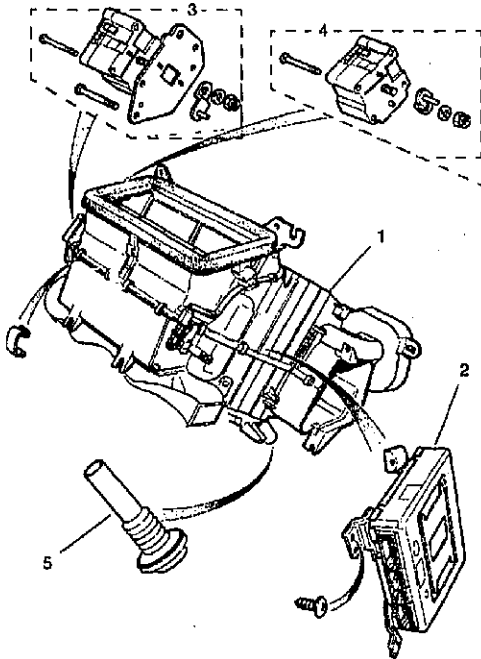
TJ6234 CHANGE POINTS:

- (1) To (V) 018107
- (2) From (V) 018108
- (3) To (V) 020844
- (4) From (V) 020845

MASTER INDEX	GROUP INDEX	
ENGINE..... 1 D		
ENGINE MANAGEMENT/EMISSION SYSTEMS..... 1 F	AIR CONDITIONING AND HEATER..... 1. N 02	AIR CONDITIONING ASPIRATOR AND..... 1. N 11
AIR AND FUEL DELIVERY SYSTEMS..... 1 G	AIR CONDITIONING CONTROL..... 1. N 12	AIR CONDITIONING CONTROL PANEL..... 1. N 10
ENGINE COOLING SYSTEM..... 1 H	AIR DISTRIBUTION/DUCTING..... 1. N 04	AIR CONDITIONING UNIT..... 1. N 02
EXHAUST SYSTEM AND COMPONENTS..... 1 I	BLOWER MOTOR ASSEMBLIES..... 1. N 03	AIR DUCTS-FACIA..... 1. N 05
TRANSMISSION AND DRIVELINE..... 1 J	CONDENSER AND RECEIVER DRIER..... 1. N 09	AIR DUCTS-FOOTWELL..... 1. N 04
STEERING AND SUSPENSION..... 1 K	CONTROL PANEL AND SENSORS..... 1. N 10	AIR EXTRACTOR-TRUNK..... 1. N 08
BRAKING SYSTEM..... 1 M	ENGINE BAY COMPONENTS..... 1. N 08	AIR PARTICLE FILTER..... 1. N 07
AIR CONDITIONING/HEATING/VENTILATION..... 1 N	EVAPORATOR AND HEATER MATRIX..... 1. N 13	BLOWER MOTOR ASSEMBLY..... 1. N 03
WIPER AND WASHER SYSTEMS..... 1 O	PIPES AND HOSES..... 1. N 14	COMPRESSOR..... 1. N 08
ELECTRICAL DISTRIBUTION SYSTEM..... 2 C		CONDENSER AND RECEIVER DRIER..... 1. N 09
INFORMATION SYSTEMS AND CONTROLS..... 2 E		EVAPORATOR/HEATER MATRIX..... 1. N 13
BATTERY/STARTER MOTOR/ALTERNATOR..... 2 F		FAN RELAY MODULE..... 1. N 12
IN CAR ENTERTAINMENT..... 2 G		HEATER PIPES FEED AND RETURN..... 1. N 18
LIGHTING - EXTERIOR/INTERIOR..... 2 H		REFRIGERANT HOSES..... 1. N 14
LOCKING/SECURITY SYSTEMS/HORNS..... 2 I		WATER VALVE, PUMP AND HOSES..... 1. N 15
SEATING..... 2 J		
OCCUPANT RESTRAINTS..... 2 L		
INTERIOR TRIM AND LININGS..... 2 M		
EXTERIOR FITTINGS AND SUNROOF..... 3 C		
BODY CLOSURES AND SEALING..... 3 D		
BODY METAL PANELS AND SEALING..... 3 G		
ACCESSORIES/CONSUMABLES/INDEX..... 3 H		

AIR CONDITIONING UNIT

Illus	Part Number	Description	Quantity	Change Point	Remarks
1	MJA 6440AE	Air conditioning unit .....	1		
2	LJA 7800AK	Electronic control module .....	1	(1)	
2	LJB 7800AA	Electronic control module .....	1	(2)	
3	JLM 11946	Servo motor .....	1		
4	JLM 11945	Bypass servo motor .....	1		
5	MJA 6510AA	Condensate drain tube-assembly .....	2		



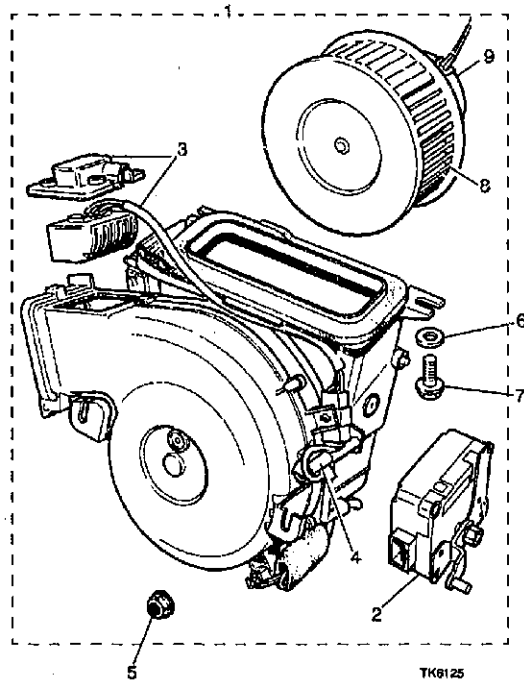
7X0114

CHANGE POINTS:

(1) To (V) 018107

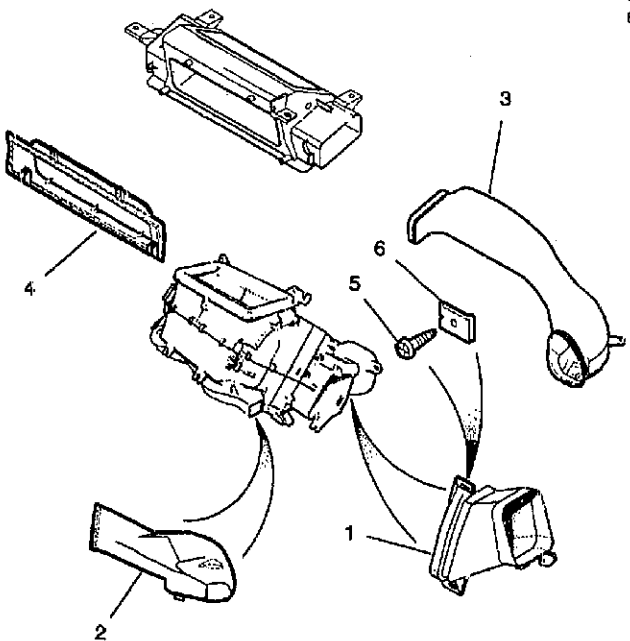
(2) From (V) 018108

Illus	Part Number	Description	Quantity	Change Point	Remarks
1	MJA 6520AA	Heater blower-assembly-RH.....	1		
1	MJA 6521AA	Heater blower-assembly-LH.....	1		
2	JLM 11957	Servo motor-RH blower motor.....	1		
2	JLM 11958	Servo motor-LH blower motor.....	1		
3	JLM 11959	Power transistor.....	1		
4	JLM 11960	Harness-RH blower motor.....	1		
4	JLM 11961	Harness-LH blower motor.....	1		
5	JZH 100032	Nut and washer -assembly.....	2		
6	WJ 106001 J	Plain washer-M6.....	4		
7	GL 106201 J	Setcrew.....	4		
8	JLM 12433	Blower motor fan-RH.....	1		
8	JLM 12434	Blower motor fan-LH.....	1		
9	JLM 20188	Heater blower motor-RH.....	1		
9	JLM 20189	Heater blower motor-LH.....	1		



AIR DUCTS-FOOTWELL

Illus	Part Number	Description	Quantity	Change Point	Remarks
1	MJA 6x90AA	Duct-RH.....	1		
1	MJA 86B1AA	Duct-LH.....	1		
2	MJA 6906AG	Footwell duct-RH.....	1		
2	MJA 6907AG	Footwell duct-LH.....	1		
3	MJA 6622AD	Face level air duct-RH-front.....	1		
3	MJA 6623AD	Face level air duct-LH-front.....	1		
4	MJA 8670AA	Face level air duct-centre.....	1		
5	AGU 2555J	Self tapping screw.....	6		
6	AK 608141J	Captive nut.....	8		

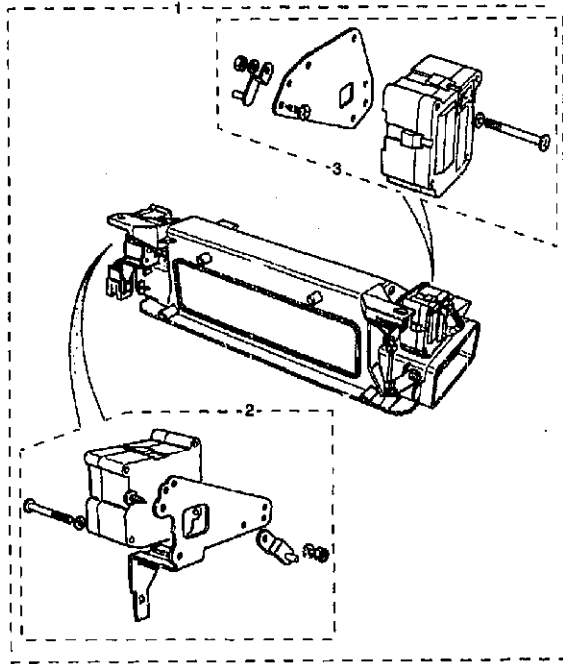


TK6112



AIR DUCTS-FACIA

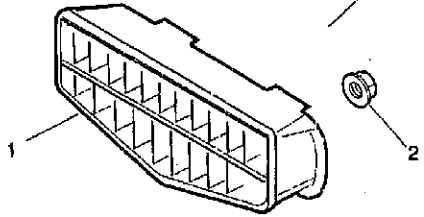
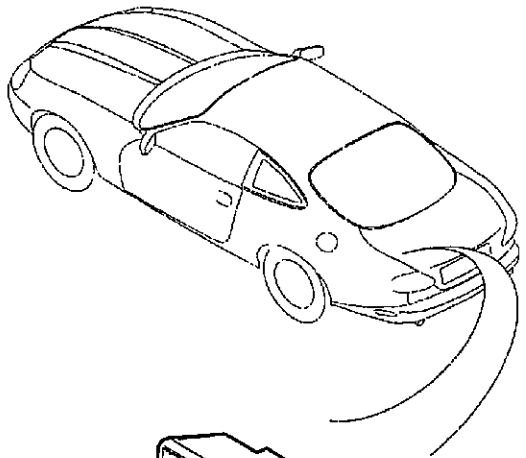
Illus	Part Number	Description	Quantity	Change Point	Remarks
1	MJA 8811AA	Face level air duct .....	1		
2	JLM 20186	Servo motor-defrost vent .....	1		
3	JLM 11962	Servo motor-face vent.....	1		



TK8124

AIR EXTRACTOR-TRUNK

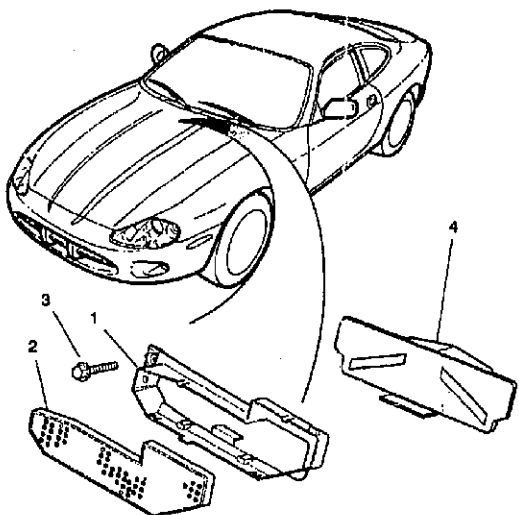
Illus	Part Number	Description	Quantity	Change Point	Remarks
1	HJA 3721AA	Vent box housing -trunk .....	2		
2	AGU 2436J	Plastic push on nut .....	4		



TK6123

AIR PARTICLE FILTER

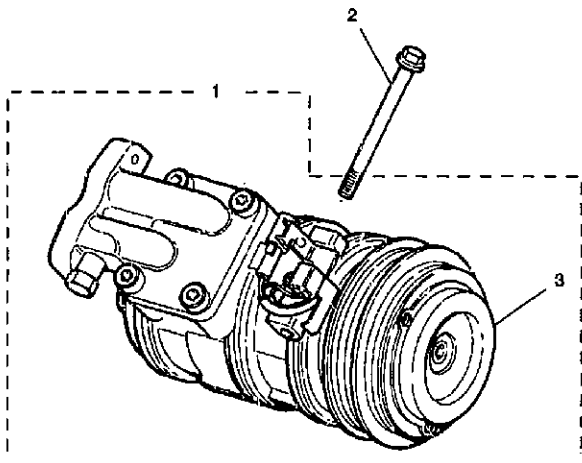
Illus	Part Number	Description	Quantity	Change Point	Remarks
1	MJA 6865AA	Air intake housing .....	1		Option
2	MJA 6863AA	Air particle filter .....	1		
3	JHG 10625E	Paint clearing screw-air intake .....	2		
4	MJA 6860AE	Air intake housing .....	1		Standard
	MJA 6858AA	Water shield-air intake .....	1		
	JLM 20783	Pollen filter kit.....	1		



T146121

COMPRESSOR

Illus	Part Number	Description	Quantity	Change Point	Remarks
1	MCA 7300AD	Compressor-air conditioning .....	1	(1)	
1	MCA 7300AE	Compressor-air conditioning .....	1	(2)	
2	FS 108201 M	Flange head screw .....	4		
3	JLM 20184	Magnetic clutch fitting kit .....	1		
	JLM 11954	Clutch service kit .....	1		



TK6116

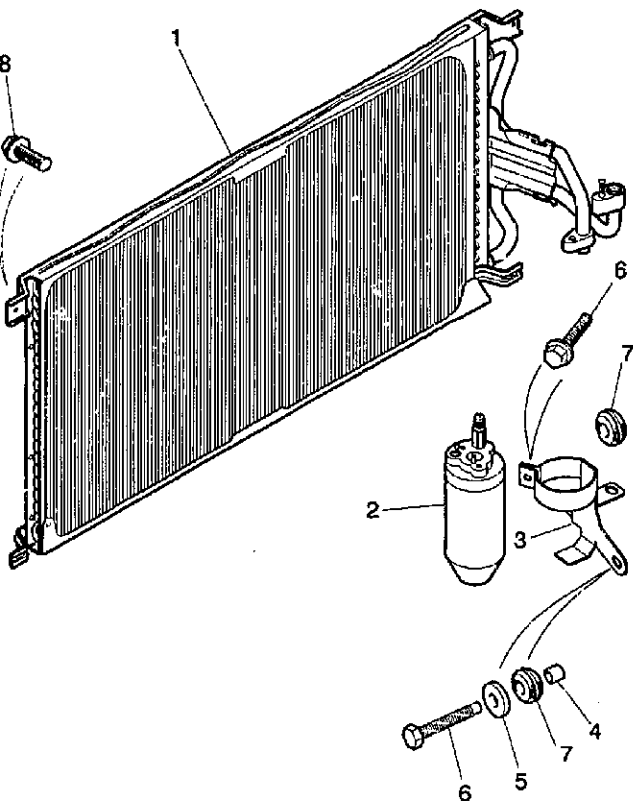
CHANGE POINTS:  
(1) To (V) 019724  
(2) From (V) 019725

Illus Part Number

Description

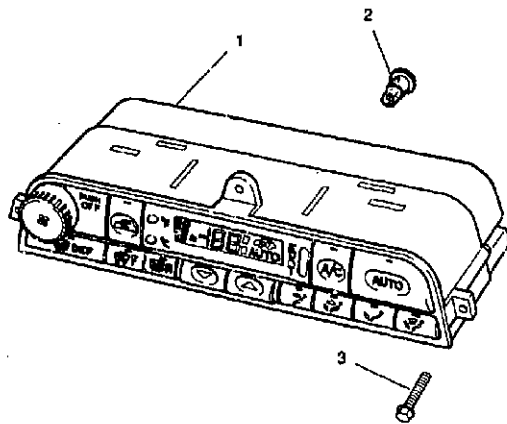
Quantity Change  
Point Remarks

1	MJA 7390AB	Condenser-assembly.....	1		
2	MJA 7410AE	RECEIVER DRIER BOTTLE .....	1		
	MHD 7377AA	• Cap-charge port .....	1		
	MHD 7372AA	• Charge valve -high pressure .....	1		
	KSR 806002	• O-ring .....	1		
	KSR 806001	• O-ring .....	1		
	JFN 10604E	Flange nut.....	4		
	JFS 10625E	Flanged head screw .....	4		
3	MJA 7420AC	Receiver drier bottle bracket.....	1		
4	JZT 100013	Spacer .....	3		
5	WJ 106001	Washer .....	3		
6	GL 106301 J	Hexagon head paint clearing screw.....	3		
7	KGA 125001	Grommet.....	3		
8	JZB 100066	Square head bolt .....	2		



AIR CONDITIONING CONTROL PANEL ASSEMBLY

Illus	Part Number	Description	Quantity	Change Point	Remarks
1	LJA 7690AB	Air conditioning control panel.....	1		Heated windscreen
1	LJA 7690BB	Air conditioning control panel.....	1		Except heated windscreen
2	JLM 20306	Indicator lamp -blue-low.....	7		
2	JLM 20309	Indicator lamp -green-low.....	2		
2	JLM 11965	Indicator lamp -LCD.....	2		
3	JPU 13512B	Thread forming screw.....	3		



TK8119

AIR CONDITIONING ASPIRATOR AND SENSOR

Illus Part Number

- 1 MJA 6551BA
- 2 MJA 6564AA
- 3 MJA 6552AA
- 4 LNA 7625AC
- 5 LJA 7605AB
- 6 LJA 7604AA

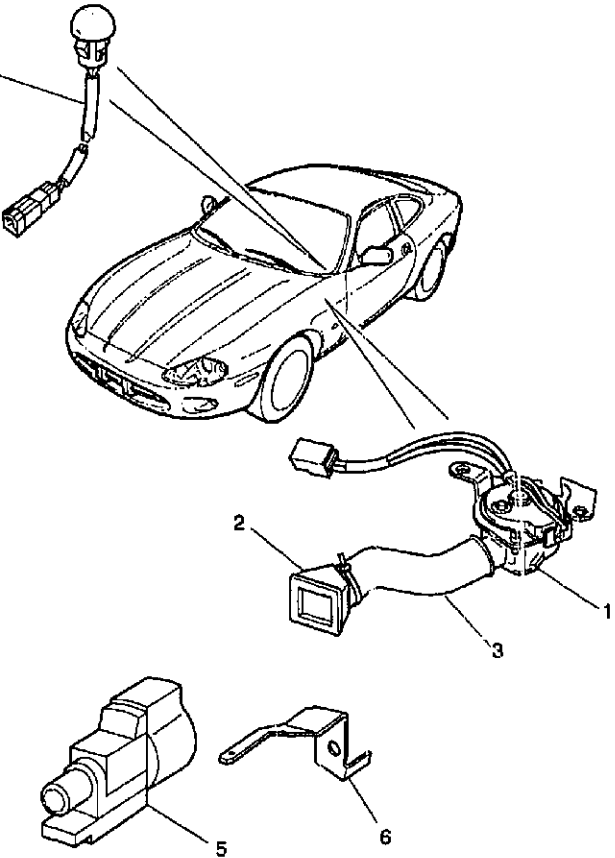
Description

- Aspirator motor ..... 1
- In car sensor housing-temperature..... 1
- Drain tube ..... 1
- Solar sensor..... 1
- Ambient air temperature sensor ..... 1
- Sensor mounting bracket..... 1

Quantity

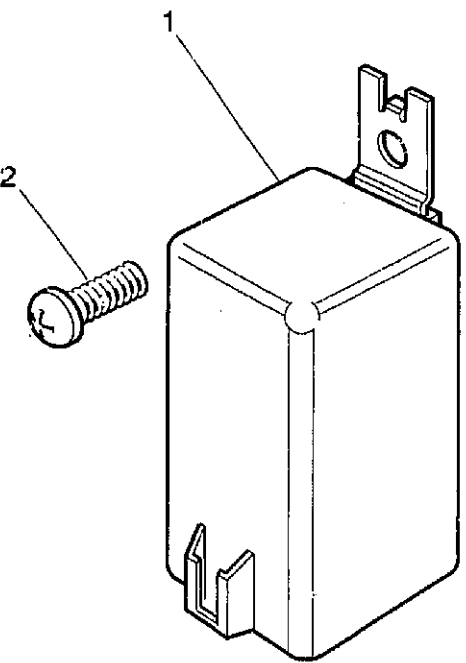
Change  
Point

Remarks



FAN RELAY MODULE

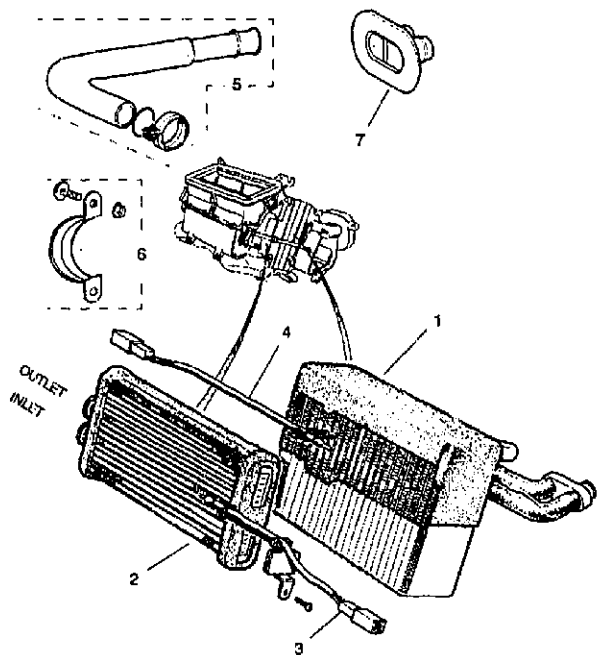
Illus	Part Number	Description	Quantity	Change Point	Remarks
1	LJA 6702AA	Module relay .....	1		
2	JHG 10616F	Paint clearing screw.....	1		





EVAPORATOR/HEATER MATRIX

Illus	Part Number	Description	Quantity	Change Point	Remarks
1	JLM 20185	Air conditioning evaporator .....	1		
2	JLM 11949	Heater core -assembly.....	1		
3	JLM 11948	Heater core outlet thermister .....	1		
	JLM 11947	Evaporator outlet thermister .....	1		
5	JLM 20242	Outlet pipe kit.....	1		
	JLM 20242	Inlet pipe kit.....	1		
8	JLM 20248	Fixing kit.....	1		
	JLM 20247	Clamp kit-front pipe clip .....	1		
7	MJA 6446AC	Bulkhead seal.....	1		



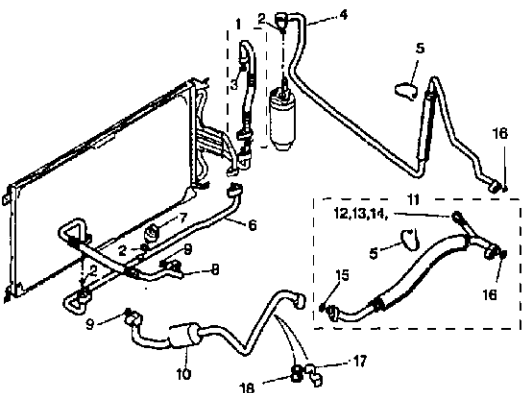
T48120

Illus Part Number

Description

Quantity Change Point Remarks

1	MJA 7381AE	AIR CONDITIONING PIPE.....	1		
2	KSR 110001	* O-ring .....	1		
3	KSR 804001	* O-ring .....	1		
4	MJA 7380AA	AIR CONDITIONING PIPE.....	1		
9	KSG 110824	* O-ring .....	1		
3	KSR 804001	* O-ring .....	1		
5	KCS 200480	Tie strap-non release.....	2		
6	MJA 7341BD	AIR CONDITIONING PIPE.....	1		
7	LJA 7858AB	* Air conditioning pressure switch.....	1		
2	KSR 110001	* O-ring .....	1		
8	MJA 7340AE	AIR CONDITIONING HOSE.....	1		
2	KSR 110001	* O-ring .....	1		
9	KSG 110824	* O-ring .....	1		
10	MJA 7312CA	AIR CONDITIONING PIPE.....	1		
18	KSG 113624	* O-ring .....	1		
11	MJA 7310AG	AIR CONDITIONING HOSE.....	1		
12	MHD 7372BA	* Charge valve -low pressure.....	1		
13	MHD 7377BA	* Cap-charge port .....	1		
14	KSR 107001	* O-ring .....	1		
15	KSR 114001	* O-ring .....	1		
16	KSG 113624	* O-ring .....	1		
17	MJA 7378CA	Pipe clip.....	1		
18	MJA 7380AA	Pipe isolator.....	1		



TK8117

WATER VALVE, PUMP AND HOSES

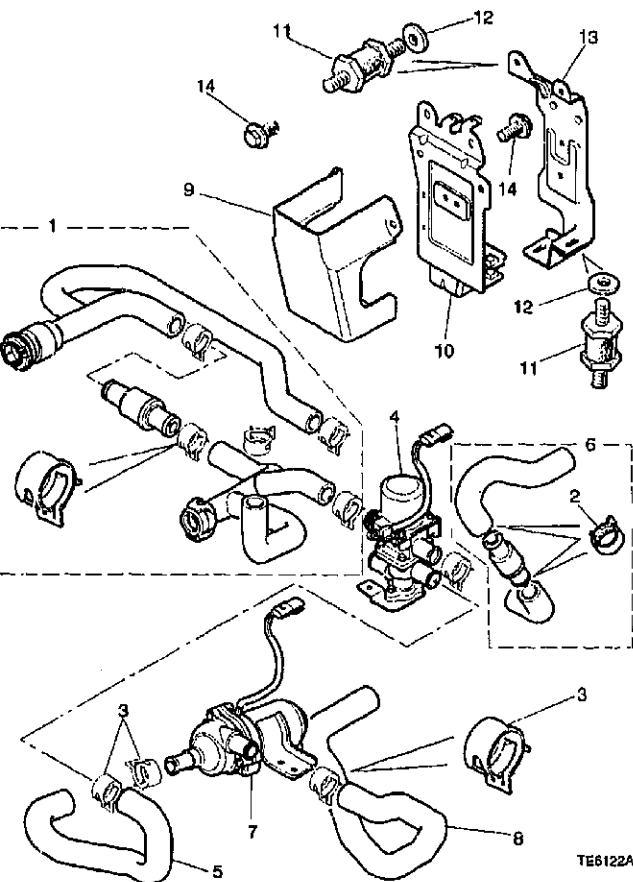
Illus Part Number

- 1 MJA 8728AC
- 1 MJC 8728AA
- 2 JHC 30220
- 3 JHC 302220
- 4 MNA 8711AC
- 5 MJA 8720AF
- 8 MJA 8739AB
- 7 MJA 8710AA
- 8 MJA 8721AF
- 9 MJA 8731AA
- 10 MJA 8712AA
- 11 MNA 8730AB
- 12 WC 106041 J
- 13 MJA 8726AF
- 14 FS 106125
- JXR 10620F
- C 45099

Description

- Heater hose-assembly..... 1
- Heater hose-assembly..... 1
- Spring clip-heater ..... 3
- Hose clamp..... 3
- Water valve..... 1
- Heater hose-water valve to water pump..... 1
- Heater hose-heater to water valve..... 1
- Air conditioning water pump..... 1
- Heater hose-water pump to heater..... 1
- Water valve heatshield..... 1
- Water pump mounting bracket..... 1
- Instrumount..... 4
- Plain washer..... 4
- Mounting bracket..... 1
- Flanged head setscrew -M6 x 12mm..... 8
- Paint clearing setscrew-torx head..... 3
- Tie strap-4"..... 2

Quantity Change Point Remarks



TE6122A

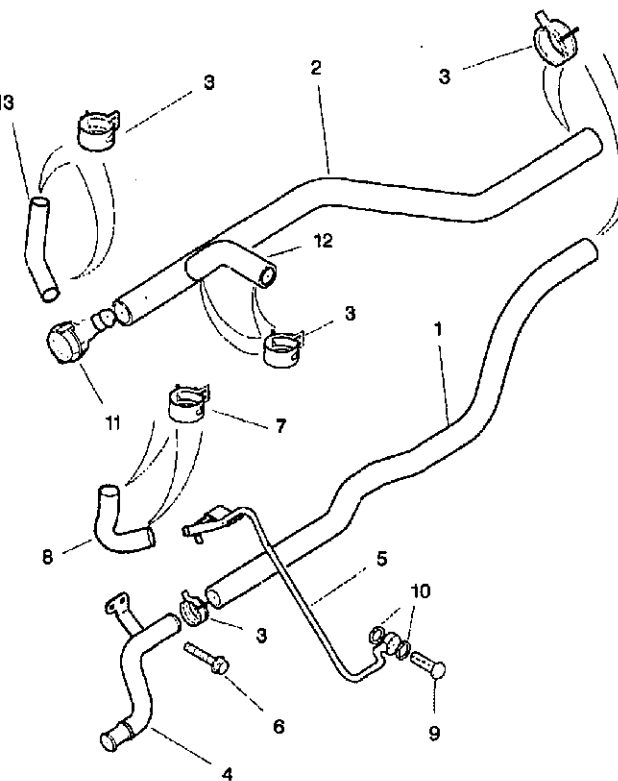
CHANGE POINTS:

(1) To (V) 01B107

(2) From (V) 01B108

HEATER PIPES FEED AND RETURN

Illus	Part Number	Description	Quantity	Change Point	Remarks
	1 NCA 3945CC	Heater feed hose .....	1		Except 4.0 Litre supercharged
	2 NCA 3948CA	Heater return hose.....	1	(1)	
	2 NNE 3948CA	Heater return hose.....	1	(2)	
	3 JHC 301720	Hose clamp-27mm.....	8		
	4 NCA 3905BC	Heater feed pipe .....	1		
	5 NCA 3148AA	Pipe.....	1		
	6 JZS 100132	Screw-M6 x 14mm.....	2		
	7 JHC 301621	Hose clamp.....	4		
	8 NCA 3248AA	Hose.....	1	(3)	
	8 NNE 3248BA	Hose.....	1	(4)	
	9 NCA 4623AA	Banjo bolt.....	1		
	10 JWV 110001	Washer.....	2		
	11 NCA 3944BC	3 way connector.....	NLA	(1).....	Use NNE3944BA.
	11 NNE 3944BA	3 way connector.....	1	(2)	
	12 NCA 3948BA	Heater return hose.....	1		
	13 NCA 3947AC	Hose.....	1		



TK6127

CHANGE POINTS:

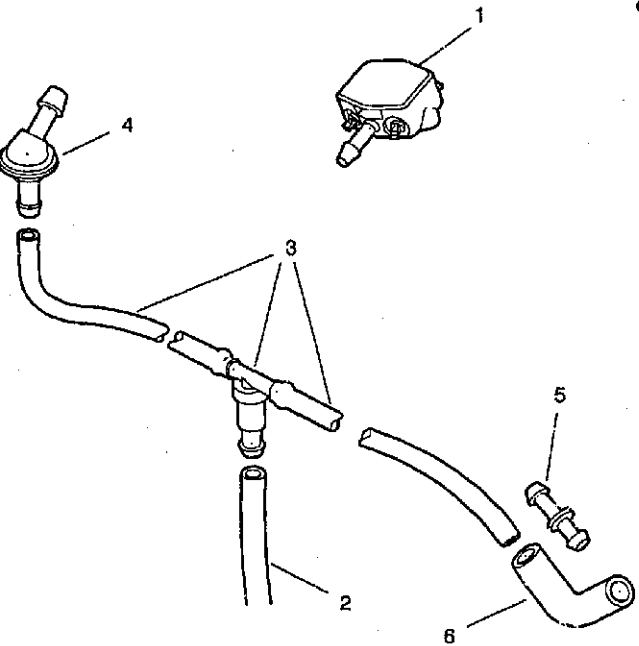
- (1) To (V) D18107
- (2) From (V) D18108
- (3) To (V) D31302
- (4) From (V) D31303

MASTER INDEX	
ENGINE .....	1 D
ENGINE MANAGEMENT/EMISSION SYSTEMS .....	1 F
AIR AND FUEL DELIVERY SYSTEMS .....	1 G
ENGINE COOLING SYSTEM.....	1 H
EXHAUST SYSTEM AND COMPONENTS .....	1 I
TRANSMISSION AND DRIVELINE .....	1 J
STEERING AND SUSPENSION.....	1 K
BRAKING SYSTEM .....	1 M
AIR CONDITIONING/HEATING/VENTILATION.....	1 N
WIPER AND WASHER SYSTEMS .....	1 O
ELECTRICAL DISTRIBUTION SYSTEM.....	2 C
INFORMATION SYSTEMS AND CONTROLS.....	2 E
BATTERY/STARTER MOTOR/ALTERNATOR.....	2 F
IN CAR ENTERTAINMENT .....	2 G
LIGHTING - EXTERIOR/INTERIOR .....	2 H
LOCKING/SECURITY SYSTEMS/HORNS.....	2 I
SEATING.....	2 J
OCCUPANT RESTRAINTS.....	2 L
INTERIOR TRIM AND LININGS .....	2 M
EXTERIOR FITTINGS AND SUNROOF.....	3 C
BODY CLOSURES AND SEALING .....	3 D
BODY METAL PANELS AND SEALING.....	3 G
ACCESSORIES/CONSUMABLES/INDEX .....	3 H

GROUP INDEX	
HEADLAMP WASHERS.....	1. O 08
WINDSCREEN WASHERS .....	1. O 02
WIPER MOTOR, ARMS AND BLADES.....	1. O 04

HEADLAMP POWERWASH EQUIPMENT .....	1. O 08
SCREENWASH SYSTEM.....	1. O 02
WINDSCREEN AND HEADLAMP WASHER .....	1. O 03
WINDSCREEN WIPER MOTOR.....	1. O 04
WINDSCREEN WIPERS .....	1. O 05

Illus	Part Number	Description	Quantity	Change Point	Remarks
	1 GJA 8959AA	Screenwash jet .....	2		
	2 LJA 7100AC	Washer tube -front screen-assembly .....	1	(1)	
	3 GJA 8971AB	Washer tube .....	1	(2)	
	3 GJA 8970AC	Washer tube .....	1	(3)	
	4 GJA 8969AA	Tube connector .....	1		
	5 GJA 8976AA	Non return valve .....	1		
	6 JLM 20382	Pubber elbow.....	1		
	JLM 20619	Washer tube -wiper arm .....	2		



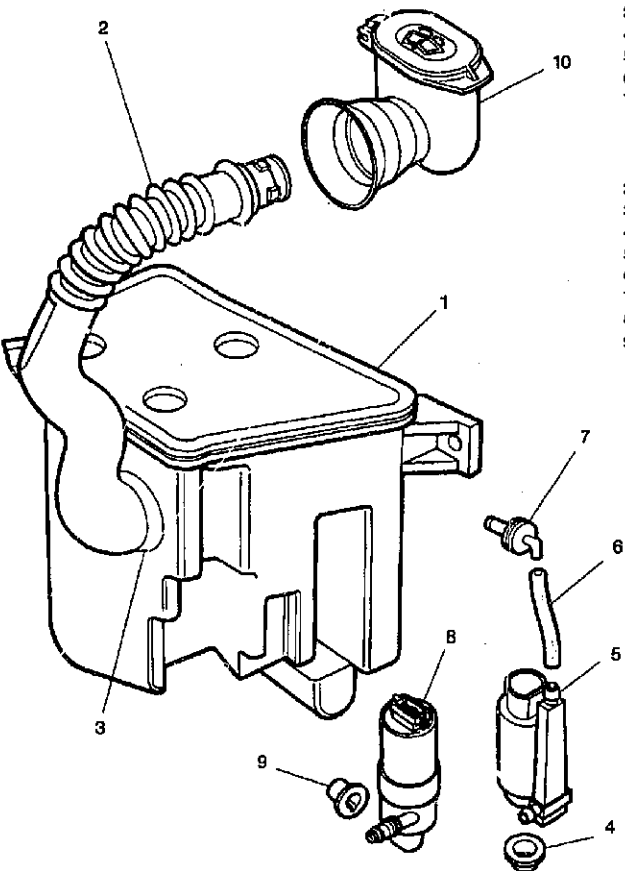
TL6295

CHANGE POINTS:

- (1) To (V) 001149
- (2) To (V) 004714
- (3) From (V) 004715

WINDSCREEN AND HEADLAMP WASHER RESERVOIR

Illus	Part Number	Description	Quantity	Change Point	Remarks
1	LJA 7030CE	SCREENWASH RESERVOIR -ASSEMBLY .....	1		..... Except headlamp powerwash
1	JLM 20695	• Screenwash reservoir -screenwash .....	1		
2	JLM 20584	• Washer tube -reservoir .....	1		
3	JLM 20565	• Filler tube grommet-reservoir .....	1		
4	LJA 7031AA	• Screenwash pump.....	1		
5	LJA 7037CA	• Screenwash pump grommet.....	1		
6	JLM 20693	• Breather tube.....	1		
7	JLM 20694	• Tube connector .....	1		
1	LJA 7030DE	SCREENWASH RESERVOIR -ASSEMBLY .....	1		..... Headlamp powerwash
1	JLM 20696	• Screenwash reservoir -powerwash .....	1		
2	JLM 20584	• Washer tube -reservoir .....	1		
3	JLM 20565	• Filler tube grommet-reservoir .....	1		
4	LJA 7031AA	• Screenwash pump.....	1		
5	LJA 7037CA	• Screenwash pump grommet.....	1		
6	JLM 20693	• Breather tube.....	1		
7	JLM 20694	• Tube connector .....	1		
8	LNA 7031BA	• Headlamp powerwash pump.....	1		
9	LNA 7037AA	• Grommet .....	1		
	KDP 208100	Swivel pipe clip .....	1		
10	LJA 7033BB	Reservoir filler neck-assembly .....	1		
	LJA 7100AF	Screenwash tube .....	1		
	JSH 106187 PJ	Screw/washer -assembly .....	3		
	KZC 100006	Pipe clip .....	3	(1)	
	CZK 4308.J	Pipe grommet .....	1	(2)	
	C 17432	Pipe grommet .....	1	(3)	



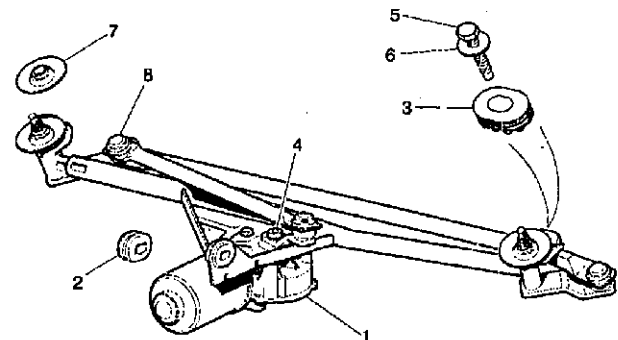
TL6551

CHANGE POINTS:

- (1) From (V) 031303
- (2) To (V) 009389
- (3) From (V) 009390

WINDSCREEN WIPER MOTOR

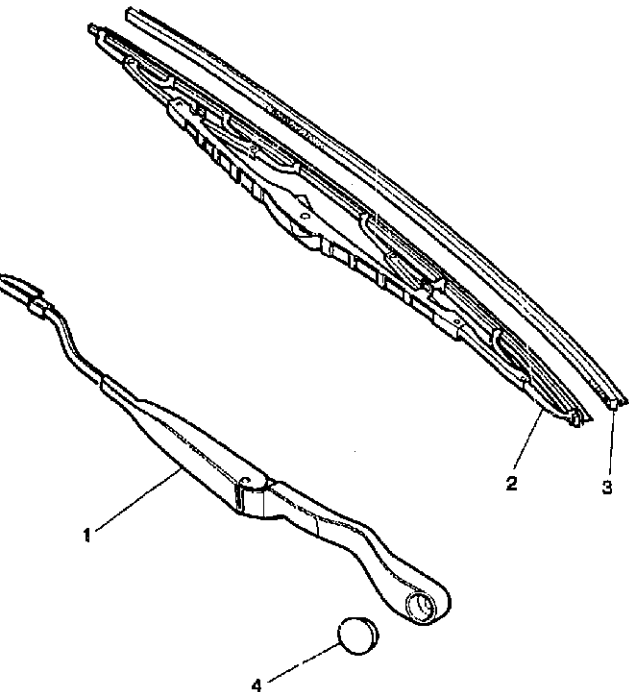
Ilua	Part Number	Description	Quantity	Change Point	Remarks
1	GJA 8951AE	Wiper mechanism-assembly.....	1		
2	GJA 8964AA	Wiper motor mounting bush.....	1		
3	GJA 8964BA	Wiper motor mounting bush.....	1		
4	FN 108041J	Flanged nut -MB.....	2		
5	WJ 106001J	Plain washer-MB.....	3		
6	GL 106301J	Hexagon head paint clearing screw.....	3		
7	GJA 8968AA	Spindle seal.....	2		
8	GJA 8966AB	Wiper arm cap.....	1		





WINDSCREEN WIPERS

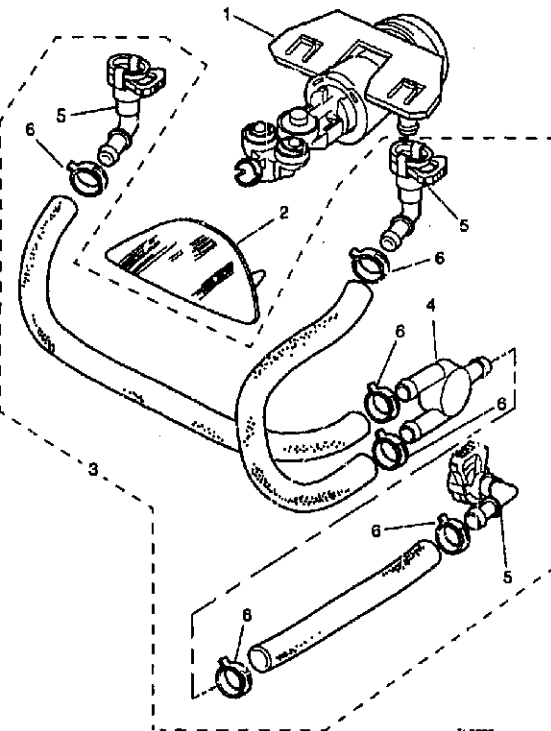
Illus	Part Number	Description	Quantity	Change Point	Remarks
	1 GJA 8955EB	Wiper arm-LH-driver .....	1	(1)	
	1 GJA 8955EC	Wiper arm-LH-driver .....	1	(2)	
	1 GJA 8955FA	Wiper arm-RH passenger.....	1	(1)	
	1 GJA 8955FB	Wiper arm-RH passenger.....	1	(2)	
	2 GJA 8960BA	Wiper blade-without deflector .....	2	(3)	
	2 GJA 8960BB	Wiper blade-without deflector .....	2	(4)	
	3 GNB 8961AA	Windscreen wiper rubber-wiper.....	1		
	4 GJA 8968AB	Wiper arm cap .....	2		
	JLM 20427	Guide channel -wiper arm .....	A/R		



TL6298 CHANGE POINTS:  
 (1) To (V) 012717  
 (2) From (V) 012718  
 (3) To (V) 024686  
 (4) From (V) 024687

HEADLAMP POWERWASH EQUIPMENT

Illus	Part Number	Description	Quantity	Change Point	Remarks
1	LJA 7050AD	Powerwash jet -assembly-RH headlamp.....	1		
1	LJA 7051AD	Powerwash jet -assembly-LH headlamp.....	1		
2	LJA 7054EA	Jet cover-RH side .....	1	(1)	
2	LJA 7054FA	Jet cover-RH side .....	1	(2)	
2	LJA 7055EA	Jet cover-LH side.....	1	(1)	
2	LJA 7055FA	Jet cover-LH side.....	1	(2)	
3	LJA 7070AD	WASHER TUBE -ASSEMBLY .....	1		
4	LNA 7071AA	• J-valve .....	1		
5	LNA 7072AA	• Connector.....	3		
6	DAC 6421	• Clip.....	6		



1L8308

CHANGE POINTS:

(1) To (V) 018552

(2) From (V) 018553